



US00D887555S

(12) **United States Design Patent**
Uda et al.

(10) **Patent No.:** **US D887,555 S**
(45) **Date of Patent:** **** Jun. 16, 2020**

(54) **INFRARED THERMOGRAPH**
(71) Applicant: **NIPPON AVIONICS CO., LTD.**,
Tokyo (JP)
(72) Inventors: **Yasushi Uda**, Tokyo (JP); **Shouichi**
Kimura, Tokyo (JP)
(73) Assignee: **NIPPON AVIONICS CO., LTD.**,
Tokyo (JP)
(**) Term: **15 Years**

5,176,130 A * 1/1993 Kim A61H 23/02
601/15
5,402,789 A * 4/1995 Dow A61B 8/06
600/446
D433,752 S * 11/2000 Saravia D24/144
D586,465 S * 2/2009 Faulkner D24/146
D586,916 S * 2/2009 Faulkner D24/146
D629,113 S * 12/2010 Wodecki D24/186
D649,636 S * 11/2011 Bean D24/133
D650,486 S * 12/2011 Cowan D24/209
D687,146 S * 7/2013 Juzkiw D24/170
D703,333 S * 4/2014 Saeki D24/187
D704,341 S * 5/2014 Ryu D24/187
D747,800 S * 1/2016 Dunleavy D24/133

(Continued)

(21) Appl. No.: **29/618,253**

(22) Filed: **Sep. 20, 2017**

(30) **Foreign Application Priority Data**

Aug. 4, 2017 (JP) 2017-016858

(51) **LOC (12) Cl.** **24-02**

(52) **U.S. Cl.**
USPC **D24/170**

(58) **Field of Classification Search**
USPC D24/170, 187, 110, 133, 146, 164, 144,
D24/200, 169, 210, 209
CPC G06F 3/0482; A61B 5/0017; A61B 5/087;
A61B 5/015; A61B 8/06; G01J 5/007;
A61H 23/02; A61N 5/0619
See application file for complete search history.

(56) **References Cited**

U.S. PATENT DOCUMENTS

3,335,716 A * 8/1967 Alt A61B 5/015
600/476
3,402,296 A * 9/1968 Benedict G01J 5/007
250/347
4,561,440 A * 12/1985 Kubo A61N 5/0619
219/121.62
D284,095 S * 6/1986 Ashby D24/164
4,981,139 A * 1/1991 Pfohl A61B 5/0017
600/484

FOREIGN PATENT DOCUMENTS

EM 004153567-0001 8/2017

Primary Examiner — Rhea Shields

(74) *Attorney, Agent, or Firm* — Oliff PLC

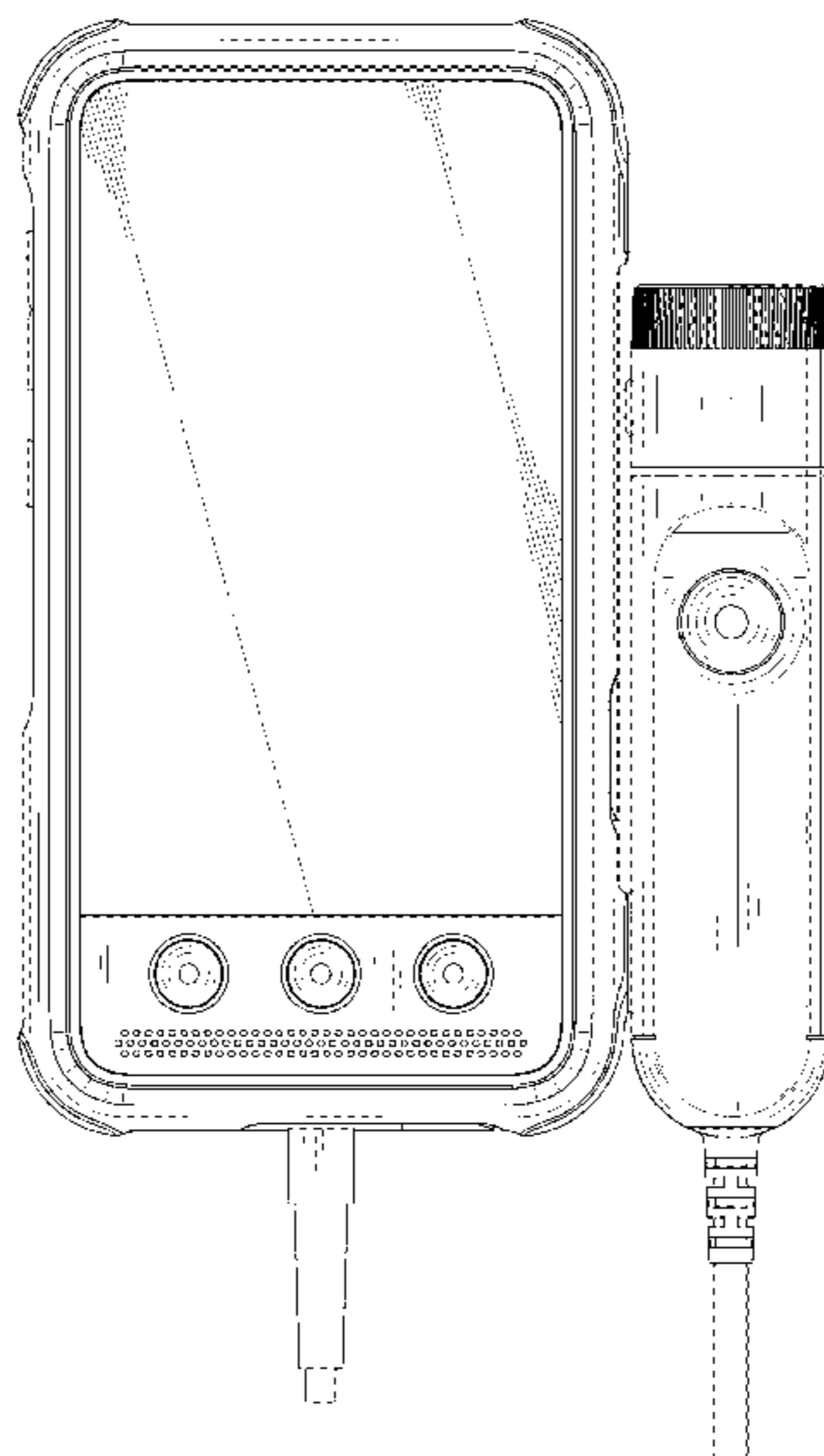
(57) **CLAIM**

The ornamental design for an infrared thermograph, as shown and described.

DESCRIPTION

FIG. 1 is a front elevational view of the infrared thermograph;
FIG. 2 is a rear elevational view thereof;
FIG. 3 is a right-side elevational view thereof;
FIG. 4 is a left-side elevational view thereof;
FIG. 5 is a top plan view thereof;
FIG. 6 is a bottom plan view thereof;
FIG. 7 is a perspective view thereof with the camera portion in an inclined orientation; and,
FIG. 8 is an exploded view thereof.
In the drawings, the broken lines are for the purpose of illustrating portions of the infrared thermograph that forms no part of the claimed design.

1 Claim, 6 Drawing Sheets



(56)

References Cited

U.S. PATENT DOCUMENTS

D756,526	S *	5/2016	Ho	D24/200
D760,913	S *	7/2016	Douglas	D24/210
D776,255	S *	1/2017	Li	D24/110
D787,067	S *	5/2017	Wightman	D24/169
D791,960	S *	7/2017	Guanying	D24/209
D811,607	S *	2/2018	Kitayama	D24/187
D811,608	S *	2/2018	Kitayama	D24/187
D825,738	S *	8/2018	Mitchell	D24/110
D836,788	S *	12/2018	Peng	D24/200
D837,365	S *	1/2019	Li	D24/110
D837,390	S *	1/2019	Harada	D24/187
2015/0261393	A1 *	9/2015	Sadatsuki	G06F 3/0482 715/810
2018/0146886	A1 *	5/2018	Leard	A61B 5/087

* cited by examiner

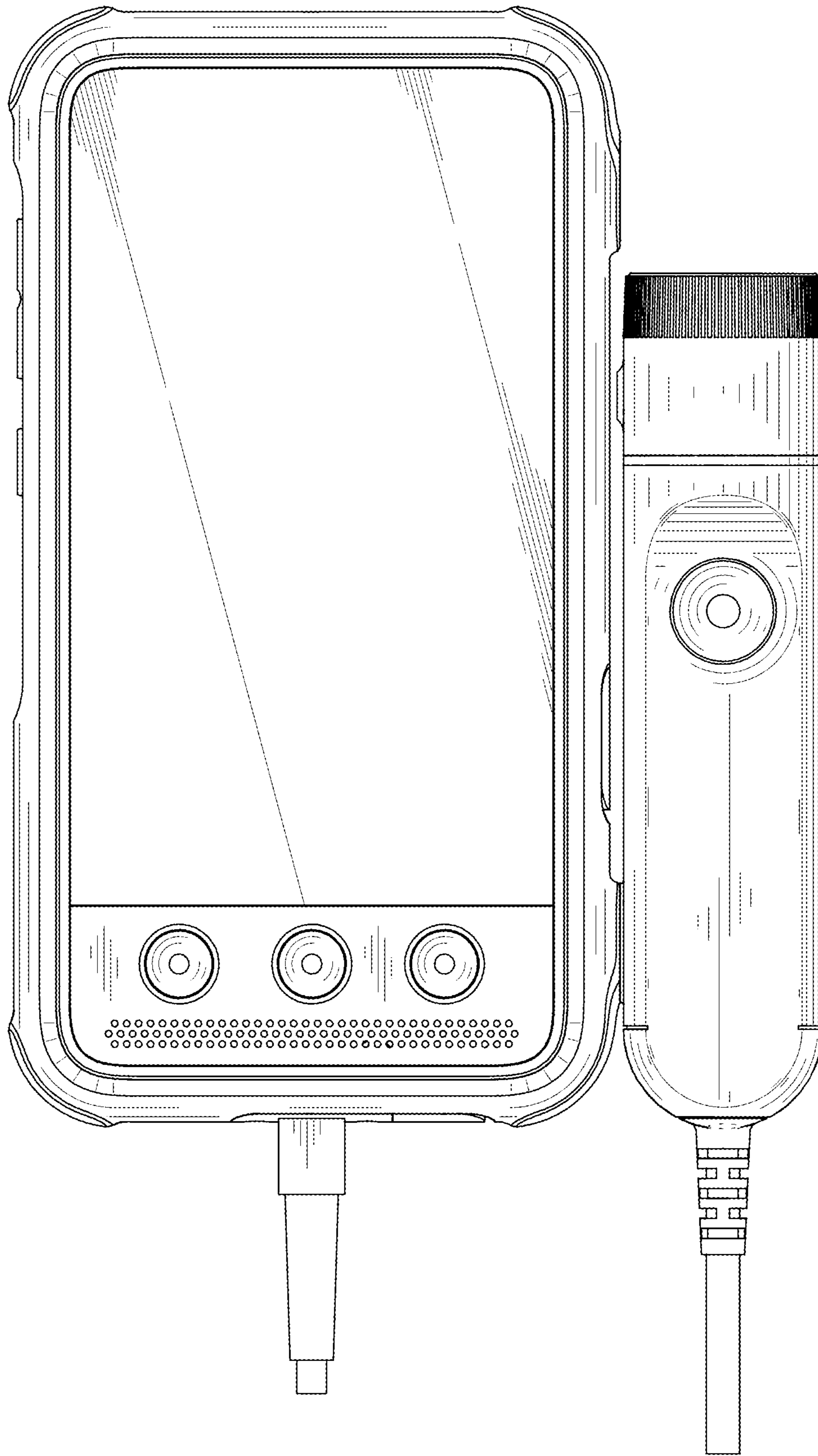


FIG. 1

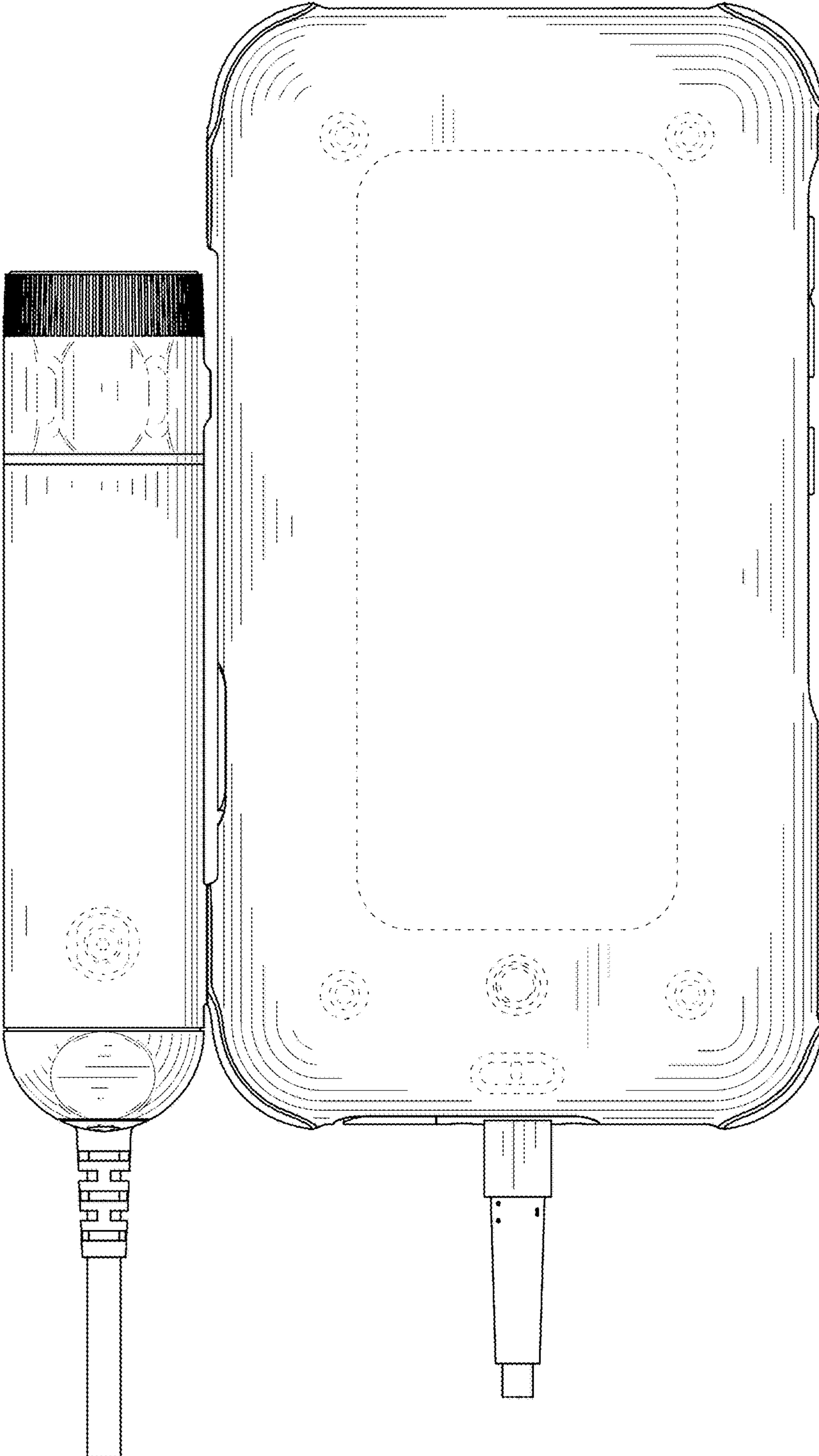


FIG. 2

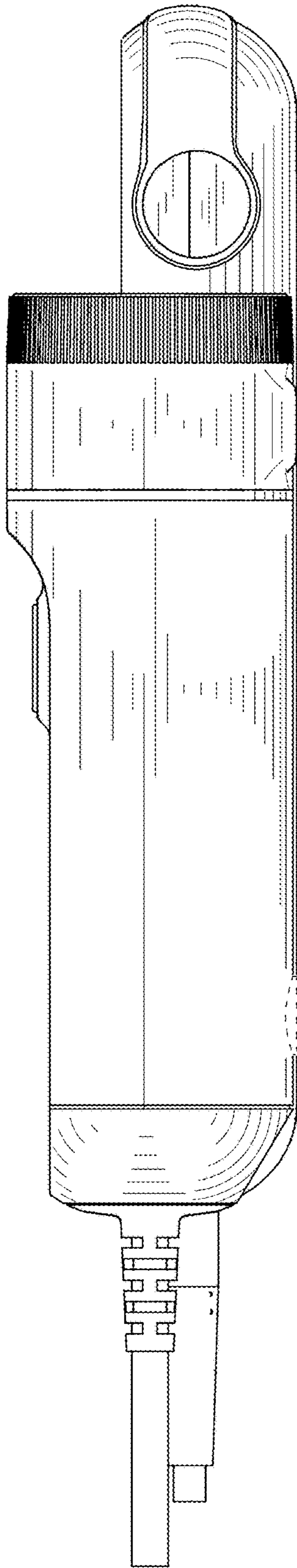


FIG. 3

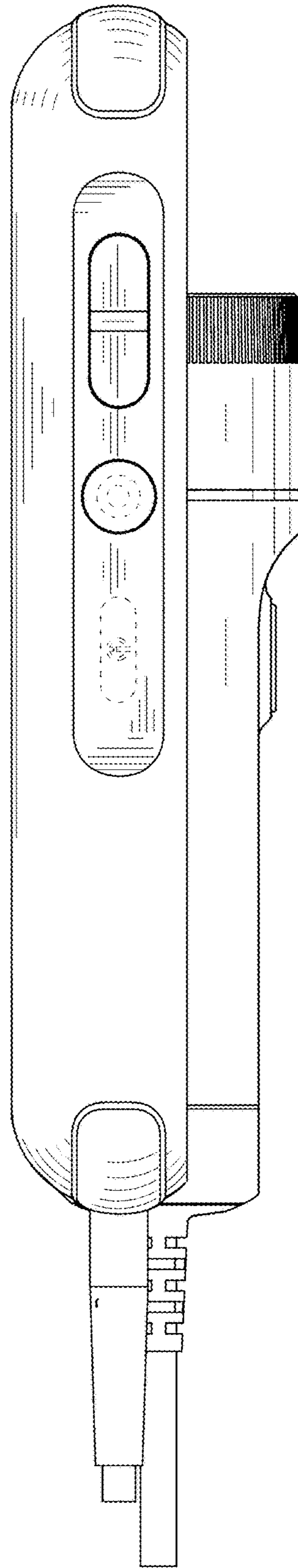


FIG. 4

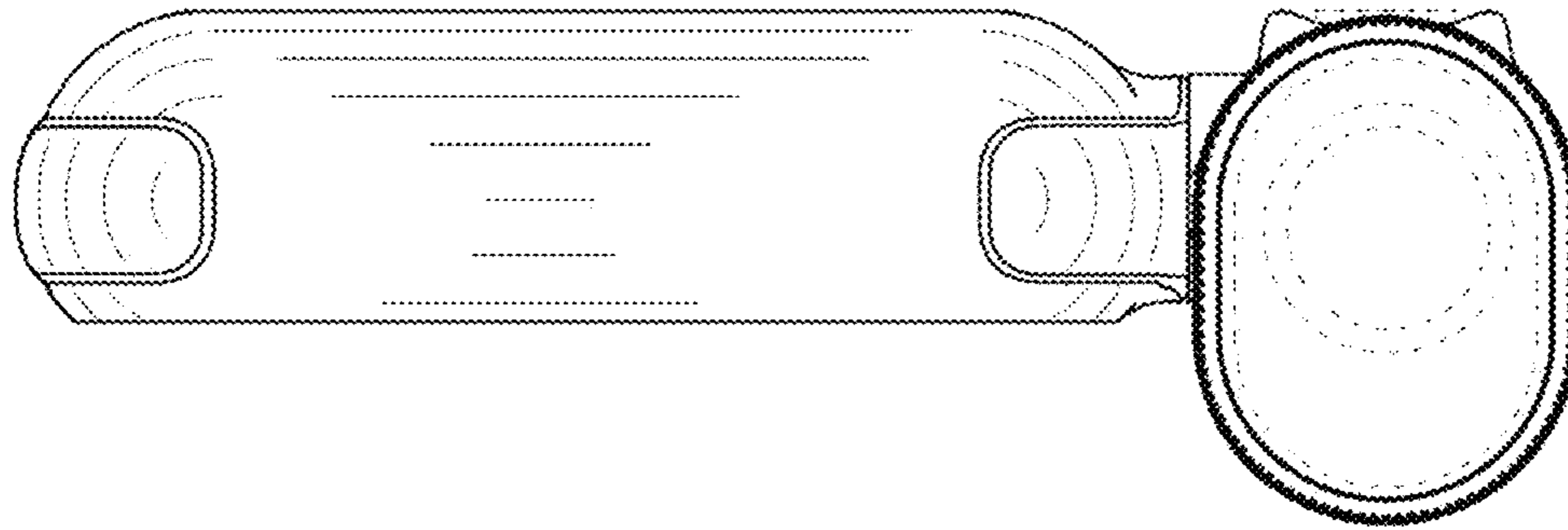


FIG. 5

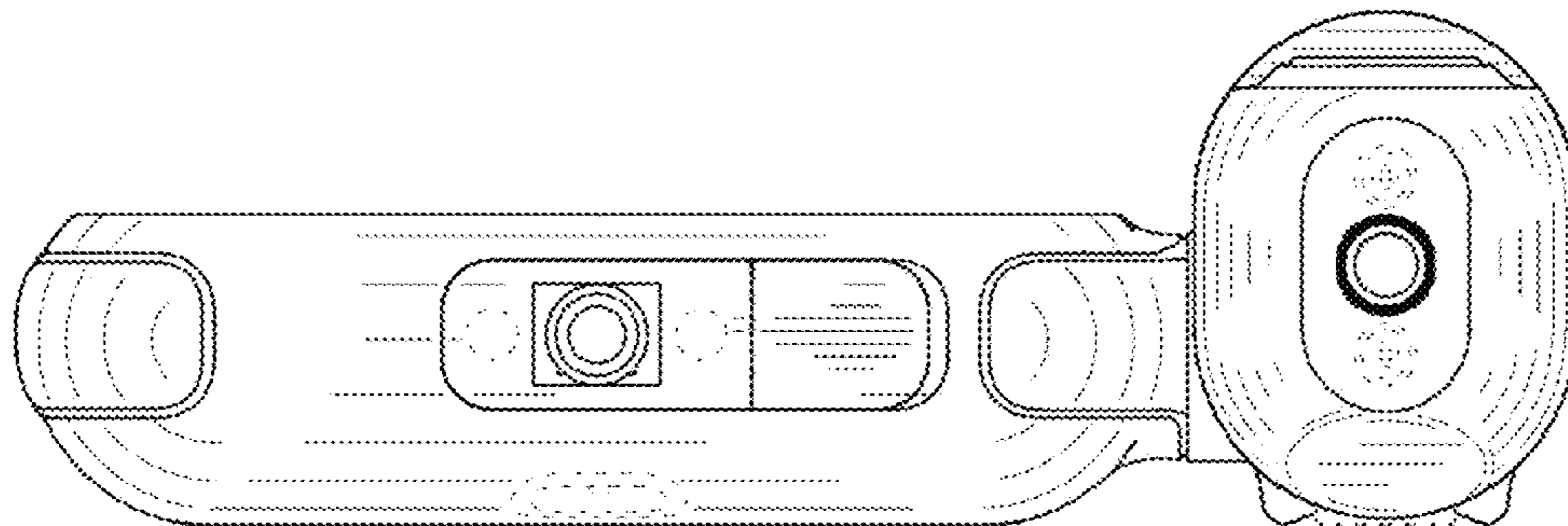


FIG. 6

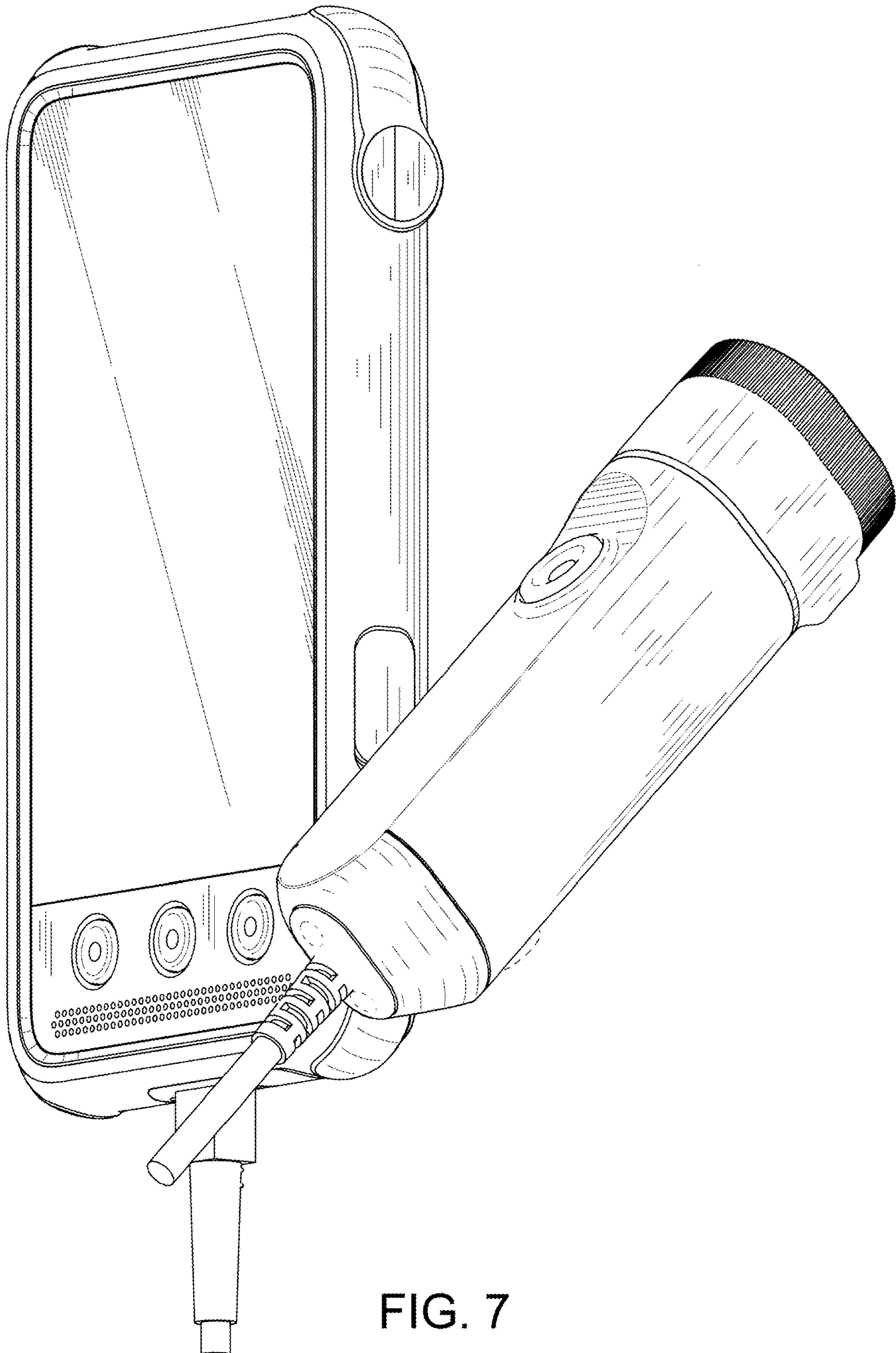


FIG. 7

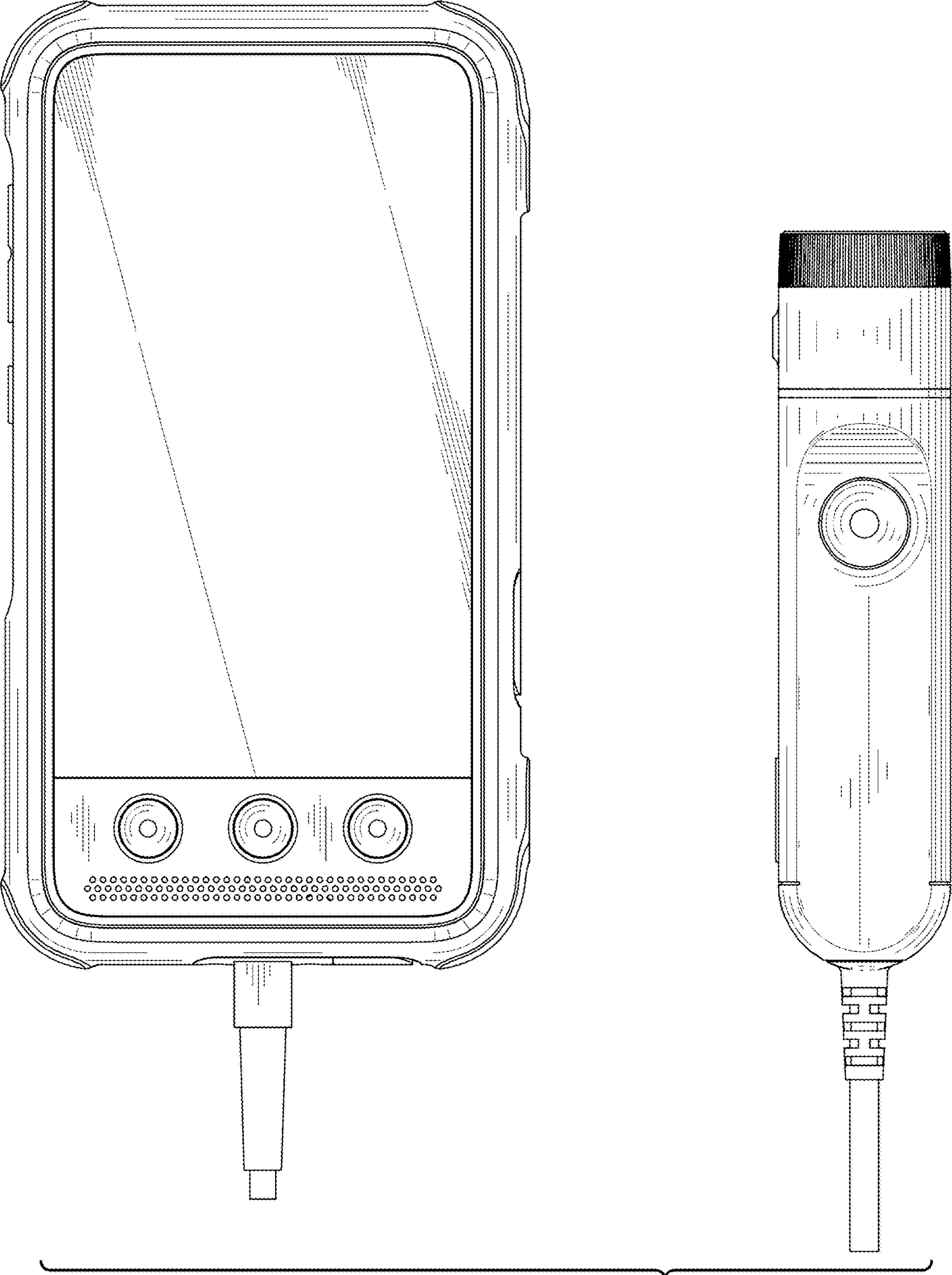


FIG. 8