



US00D887551S

(12) **United States Design Patent**
Ramirez

(10) **Patent No.:** **US D887,551 S**
(45) **Date of Patent:** **** Jun. 16, 2020**

(54) **ATTACHABLE HANDLE FOR HOLDER FOR HYGIENIC WIPES**

(71) Applicant: **Paul V. Ramirez**, Warren, MI (US)

(72) Inventor: **Paul V. Ramirez**, Warren, MI (US)

(**) Term: **15 Years**

(21) Appl. No.: **29/617,873**

(22) Filed: **Sep. 15, 2017**

(51) **LOC (12) Cl.** **24-02**

(52) **U.S. Cl.**
USPC **D24/147**

(58) **Field of Classification Search**
USPC D4/121, 137; D6/323; D8/307, 300;
D24/133, 126, 140, 119, 146, 147, 144,
D24/137; D28/7
CPC A61Q 19/00; A61Q 19/08; A61Q 19/10;
A61Q 19/007; A61Q 19/02; A61N
5/0616; A61N 1/328; A61N 2005/0644;
A61M 35/003; A61M 35/00
See application file for complete search history.

(56) **References Cited**

U.S. PATENT DOCUMENTS

- 2,149,061 A * 2/1939 Martelli A47L 13/28
15/210.1
- D129,526 S * 9/1941 Hanisch D28/26
- D346,861 S * 5/1994 Martin D24/133
- D433,821 S * 11/2000 Brutus D6/317
- D439,977 S * 4/2001 Wenger D24/133
- 7,182,232 B2 * 2/2007 Fleming A47G 25/485
223/88
- 7,240,390 B2 * 7/2007 Pfenniger A46B 5/0062
15/105
- 8,341,796 B1 * 1/2013 Rhee A47K 7/08
15/210.1

- 8,925,137 B1 * 1/2015 Munoz A47K 7/08
15/143.1
- 9,492,021 B2 * 11/2016 Kebreau A47F 7/065
- 2009/0159487 A1 * 6/2009 Tacoma A47K 7/028
206/581

* cited by examiner

Primary Examiner — Eliza Z Bennett-Hattan

(74) *Attorney, Agent, or Firm* — Carrier Blackman & Associates, P.C.; Joseph P. Carrier; William D. Blackman

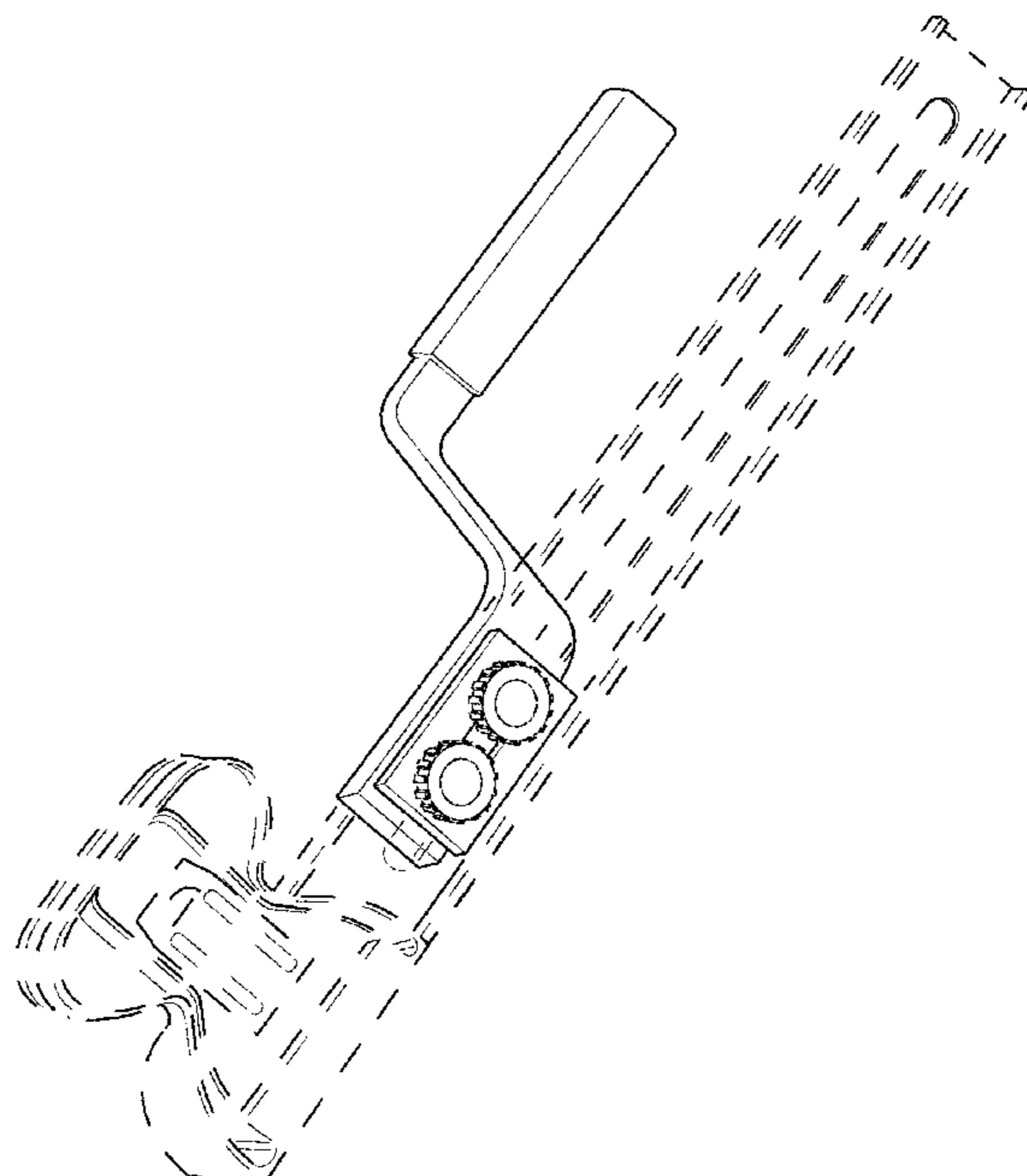
(57) **CLAIM**

The ornamental design for an attachable handle for holder for hygienic wipes, as shown and described.

DESCRIPTION

FIG. 1 is a front right side perspective view of my new, original, and ornamental design of an attachable handle for holder for hygienic wipes;
 FIG. 2 is a right side view thereof;
 FIG. 3 is a bottom plan view thereof;
 FIG. 4 is a left side view thereof;
 FIG. 5 is a top plan view thereof;
 FIG. 6 is a rear view thereof;
 FIG. 7 is a front view thereof; and,
 FIG. 8 is a front left side perspective view thereof.
 The broken lines in the drawings illustrate portions of the attachable handle for holder for hygienic wipes that form no portion of the claimed design.
 The claimed design relates to an attachable handle for a personal hygiene tool which may be used to hold a hygienic wipe, e.g., toilet paper, which a person may use for extended reach in wiping the person's bottom.

1 Claim, 3 Drawing Sheets



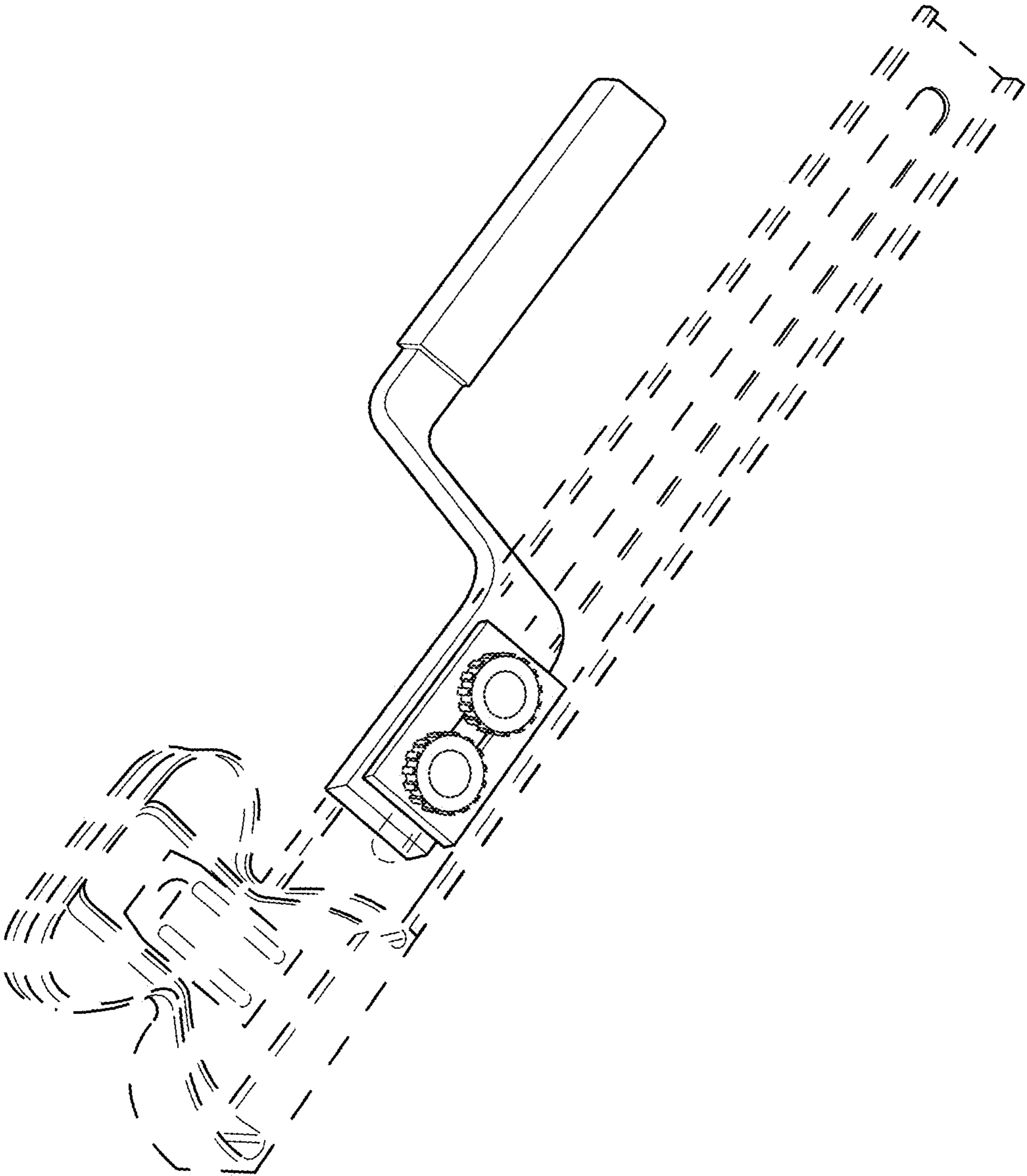
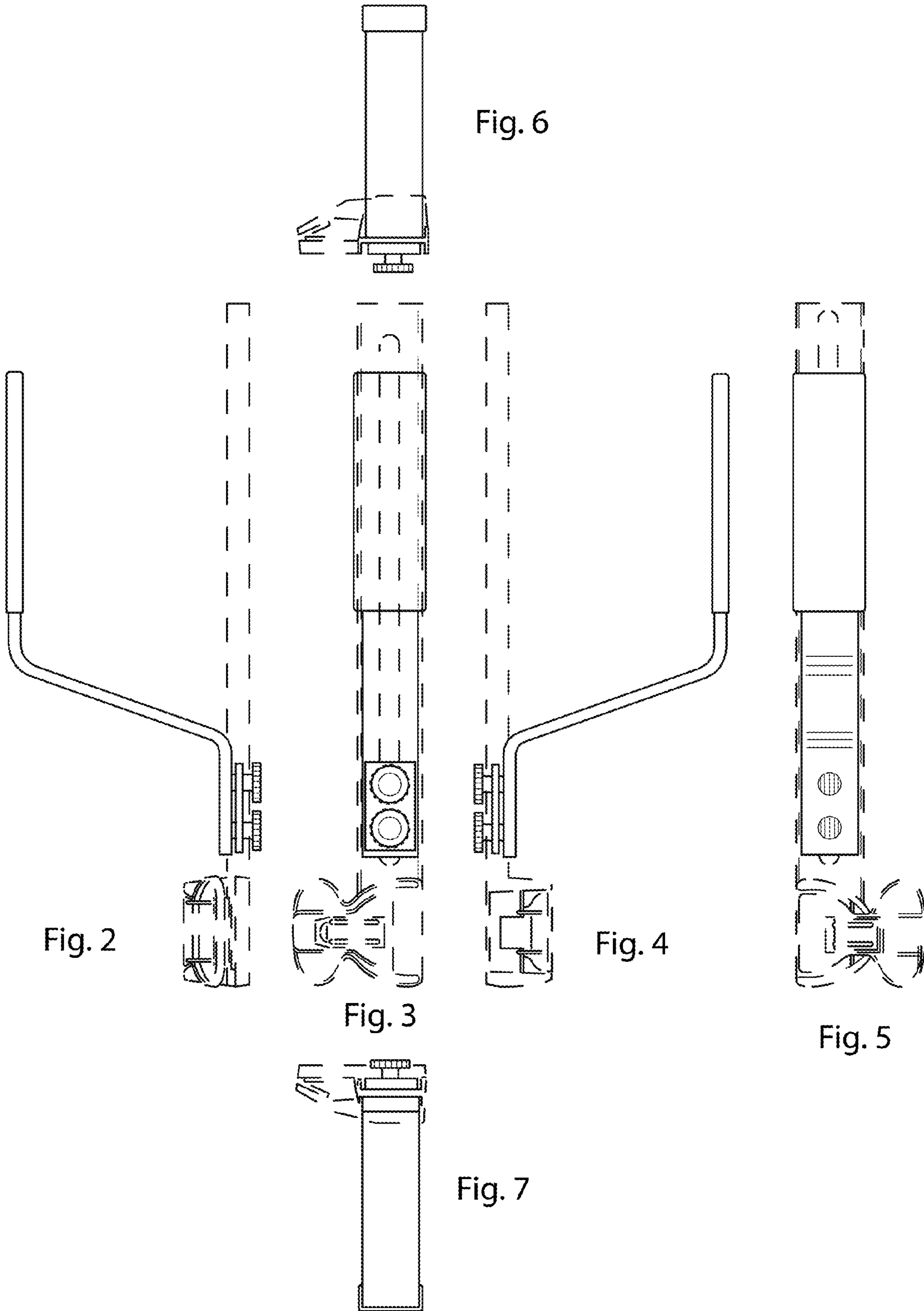


Fig. 1



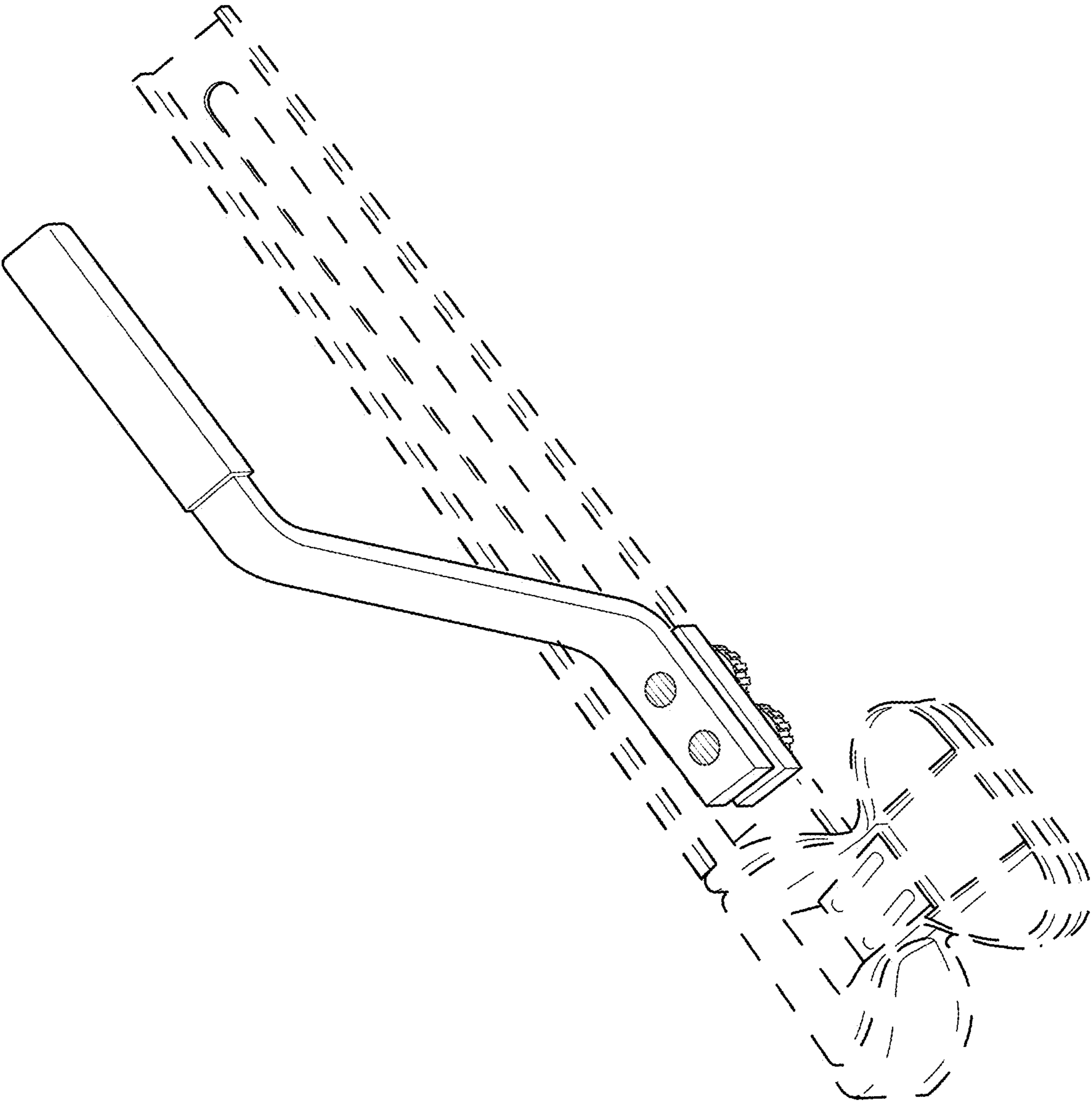


Fig. 8