



US00D887549S

(12) **United States Design Patent** (10) **Patent No.:** **US D887,549 S**  
**Abdul-Hafiz et al.** (45) **Date of Patent:** **\*\* Jun. 16, 2020**

(54) **CAP FOR A FLOW ALARM DEVICE**  
(71) Applicant: **MASIMO CORPORATION**, Irvine, CA (US)  
(72) Inventors: **Yassir Kamel Abdul-Hafiz**, Irvine, CA (US); **Virginia Thanh Ta**, Santa Ana, CA (US); **Chad A. DeJong**, Los Angeles, CA (US)

6,386,196 B1 5/2002 Culton  
6,679,432 B1 1/2004 Arnold  
7,298,280 B2 11/2007 Voege  
D594,113 S \* 6/2009 Reid ..... D24/110.1  
7,730,847 B1 6/2010 Redd et al.  
7,896,401 B2 3/2011 Richards et al.  
8,435,203 B2 \* 5/2013 Viola ..... A61B 17/0643  
604/164.01  
D692,143 S \* 10/2013 Shahidi Bonjar ..... D24/112  
8,707,950 B1 4/2014 Rubin  
(Continued)

(73) Assignee: **Masimo Corporation**, Irvine, CA (US)  
(\*\*) Term: **15 Years**

FOREIGN PATENT DOCUMENTS

(21) Appl. No.: **29/662,935**  
(22) Filed: **Sep. 10, 2018**  
(51) **LOC (12) Cl.** ..... **24-02**  
(52) **U.S. Cl.**  
USPC ..... **D24/129**  
(58) **Field of Classification Search**  
USPC ..... D24/127-131, 112-114, 133, 186;  
606/181, 185; 604/264, 523-528, 272,  
604/187, 158, 164.01-164.11, 181, 184,  
604/227; 600/101, 139, 143;  
128/200.24, 207.14, 207.15  
CPC .. G08B 21/02; G01F 15/185; A61M 16/0051;  
A61M 2205/183; A61M 2205/186  
See application file for complete search history.

CN 204193342 U 3/2015  
WO WO 2007/132206 A1 11/2007  
(Continued)

*Primary Examiner* — Nathan M Johnston  
(74) *Attorney, Agent, or Firm* — Knobbe, Martens, Olson & Bear, LLP

(56) **References Cited**

(57) **CLAIM**

The ornamental design for a cap for a flow alarm device, as shown and described.

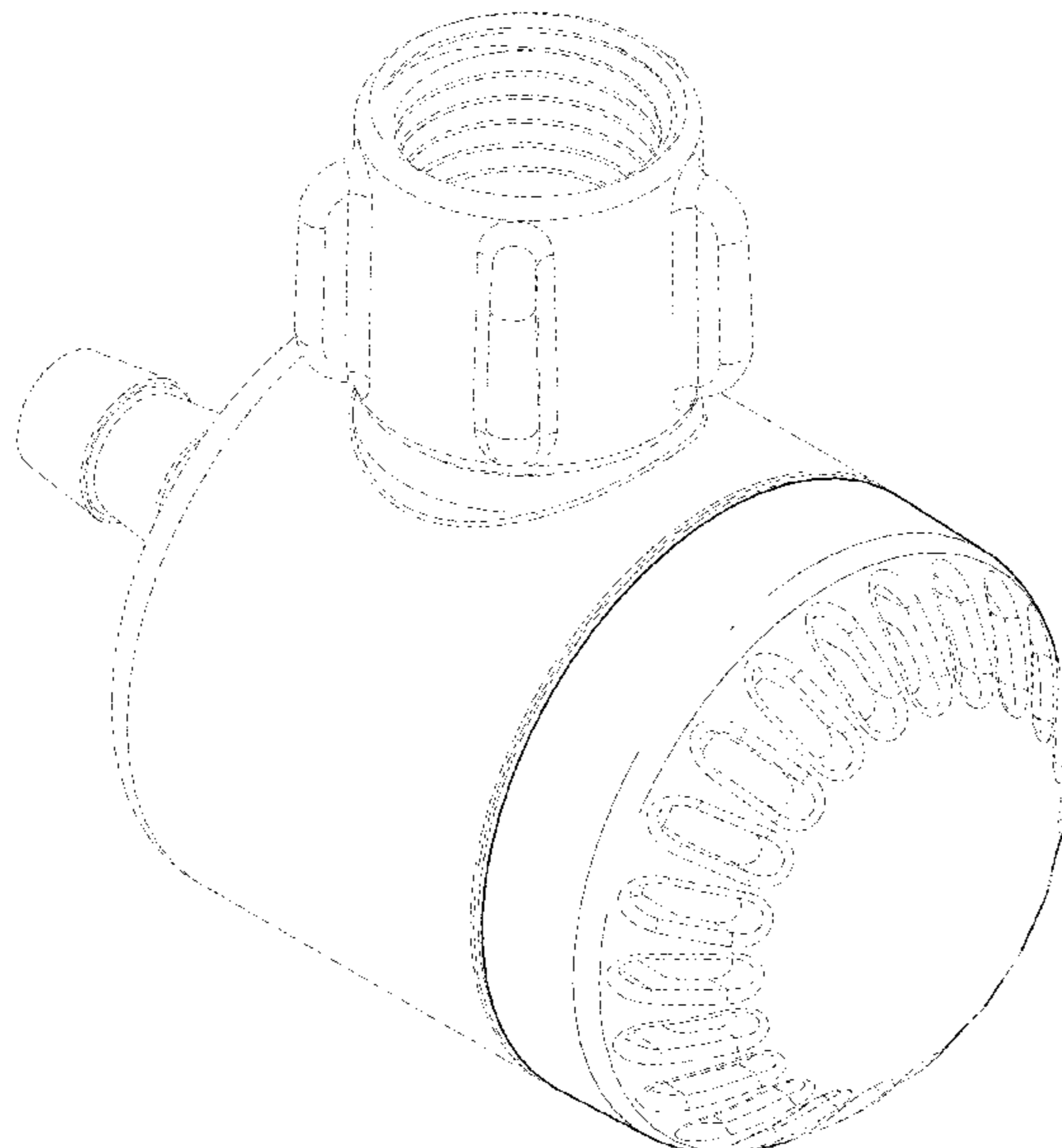
U.S. PATENT DOCUMENTS

**DESCRIPTION**

3,297,255 A 1/1967 Fortman  
3,595,228 A 7/1971 Simon et al.  
4,067,329 A 1/1978 Winicki  
4,316,182 A 2/1982 Hodgson  
4,669,415 A 6/1987 Boord  
D361,380 S \* 8/1995 Linner ..... D24/112  
5,626,129 A 5/1997 Klimm et al.  
5,836,302 A 11/1998 Homuth et al.

FIG. 1 is a perspective view of a cap for a flow alarm device embodying our new design;  
FIG. 2 is a front view thereof;  
FIG. 3 is a side view thereof;  
FIG. 4 is another side view thereof;  
FIG. 5 is a top view thereof;  
FIG. 6 is a bottom view thereof; and,  
FIG. 7 is another perspective view thereof.  
The dashed lines immediately adjacent to the shaded areas in the figures represent the boundaries of the claimed design. The dashed lines in the figures illustrate the portions of the design that form no part of the claimed design. None of the broken lines form any part of the claimed design.

**1 Claim, 7 Drawing Sheets**



(56)

References Cited

U.S. PATENT DOCUMENTS

D720,596 S \* 1/2015 Dams ..... D8/312  
D735,316 S \* 7/2015 Steelman ..... D24/110  
D738,491 S \* 9/2015 Foley ..... D24/121  
9,186,528 B2 11/2015 Patil et al.  
D777,941 S \* 1/2017 Piramoon ..... D24/224  
9,773,393 B2 9/2017 Velez  
D816,836 S \* 5/2018 Mueller ..... D24/133  
D818,853 S \* 5/2018 Golnik ..... D10/70  
D819,827 S \* 6/2018 Piramoon ..... D24/224  
D858,756 S \* 9/2019 Katagiri ..... D24/130  
2003/0189492 A1 10/2003 Harvie  
2007/0017515 A1 1/2007 Wallace et al.  
2008/0053441 A1 3/2008 Gottlbi et al.  
2010/0020529 A1 1/2010 Brooks et al.  
2011/0248856 A1 10/2011 Obenchain  
2012/0245535 A1\* 9/2012 Jacobsson ..... A61F 5/445  
604/264  
2013/0068221 A1 3/2013 Mian et al.  
2015/0170630 A1 6/2015 Dawson  
2017/0345272 A1 11/2017 Velez

FOREIGN PATENT DOCUMENTS

WO WO 2013/054963 A1 4/2013  
WO WO 2013/128221 A1 9/2013  
WO WO 2014/026221 A1 2/2014  
WO WO 2017/062454 A2 4/2017

\* cited by examiner

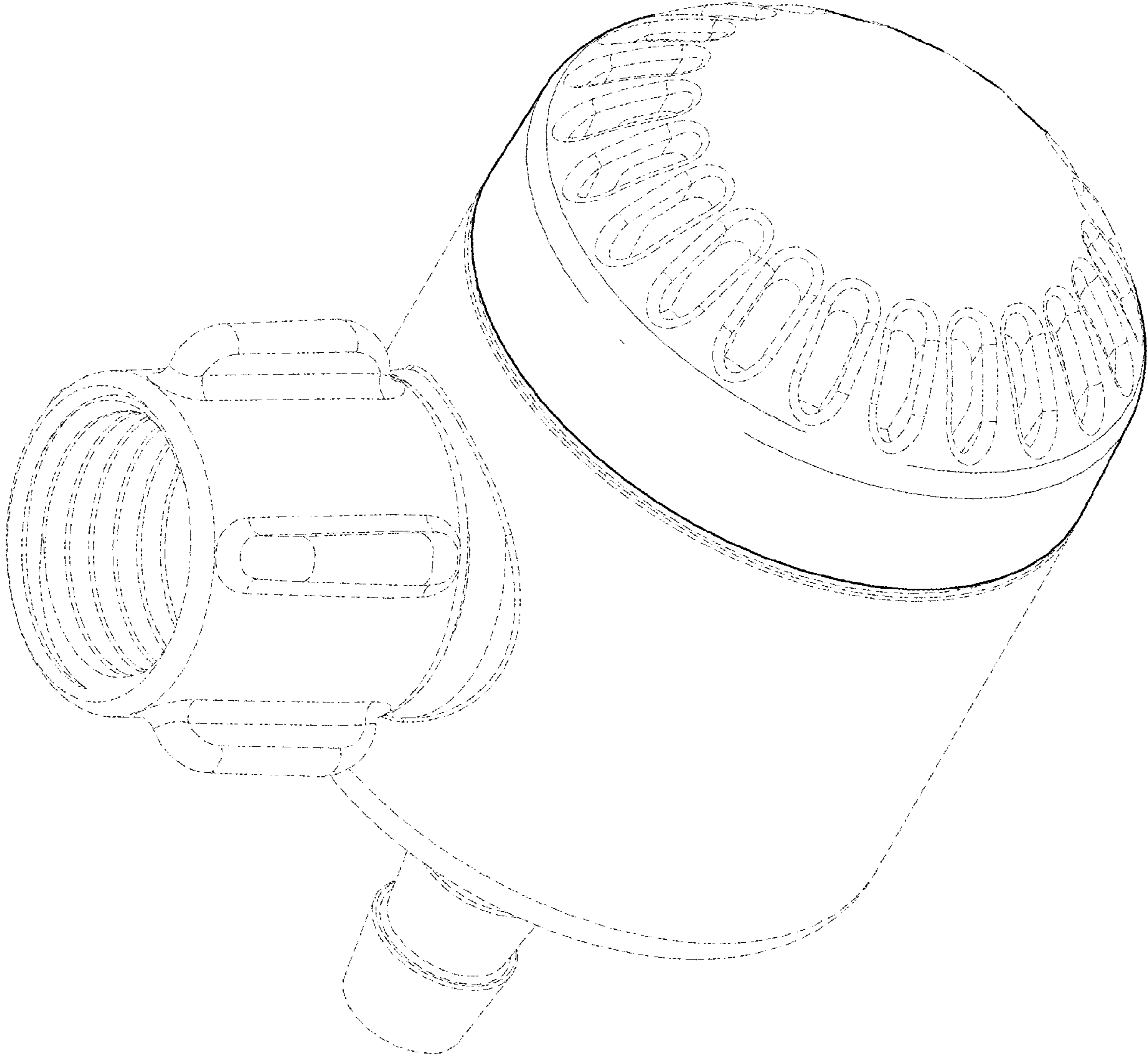


FIG. 1

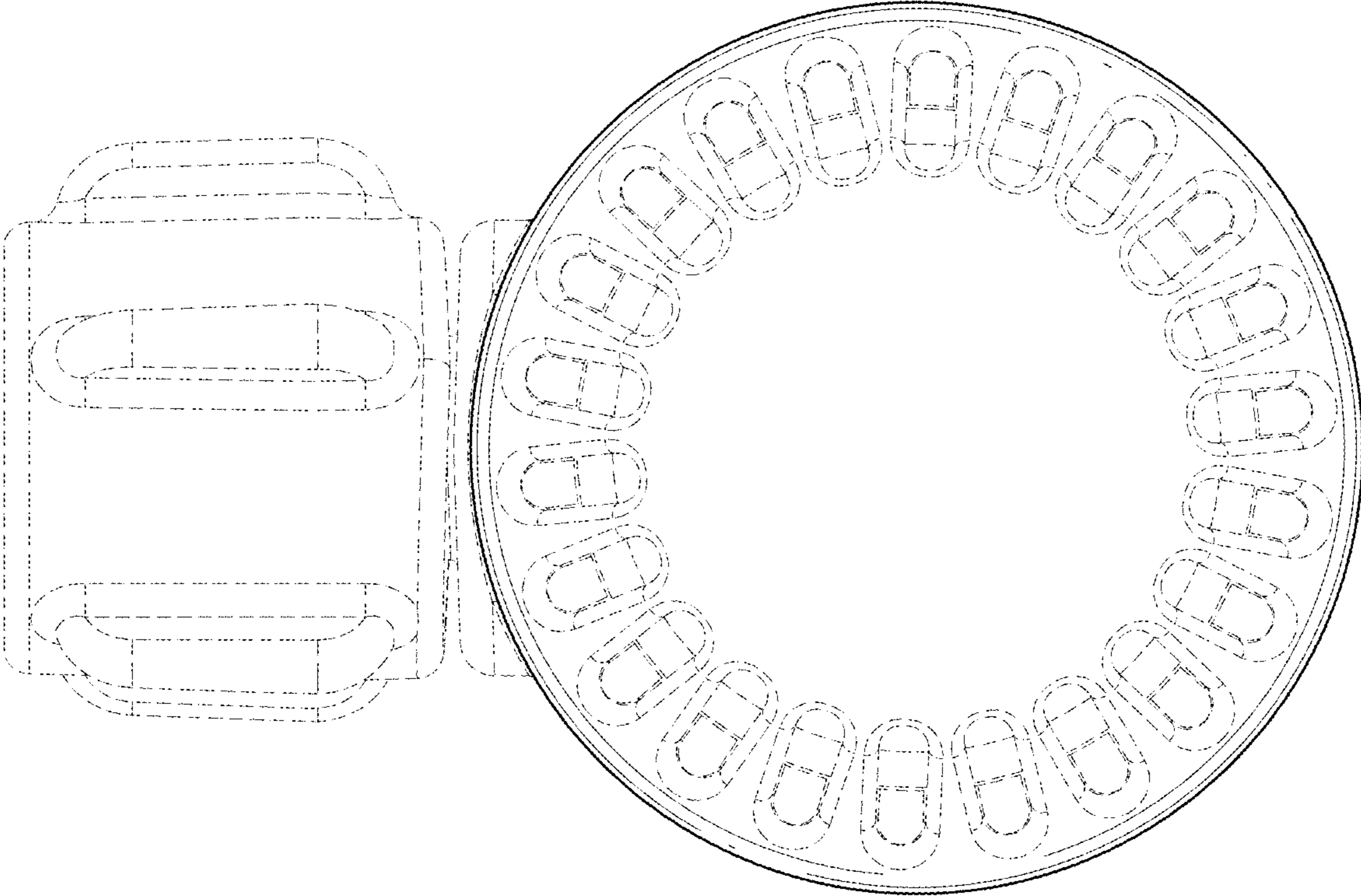


FIG. 2

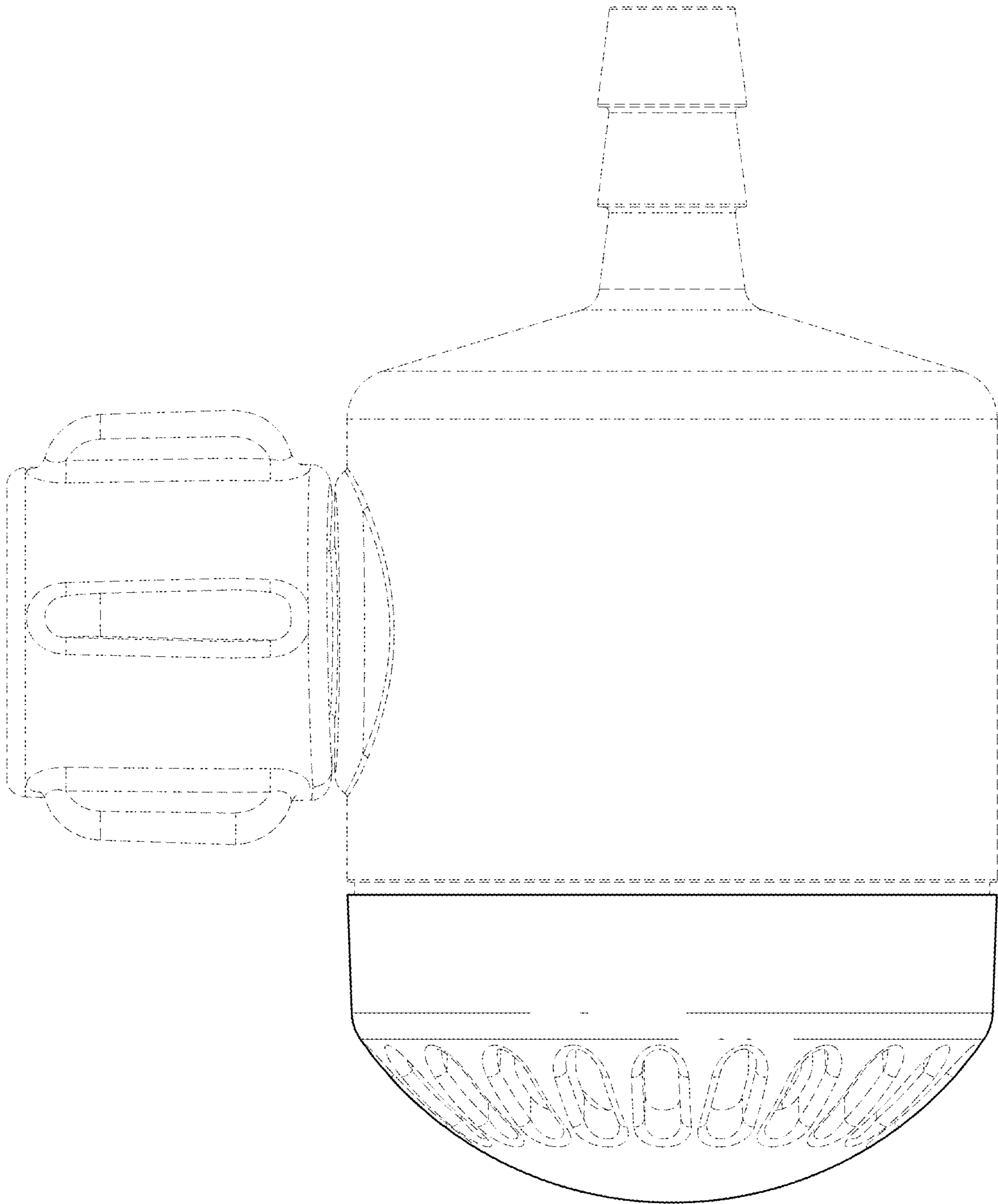


FIG. 3



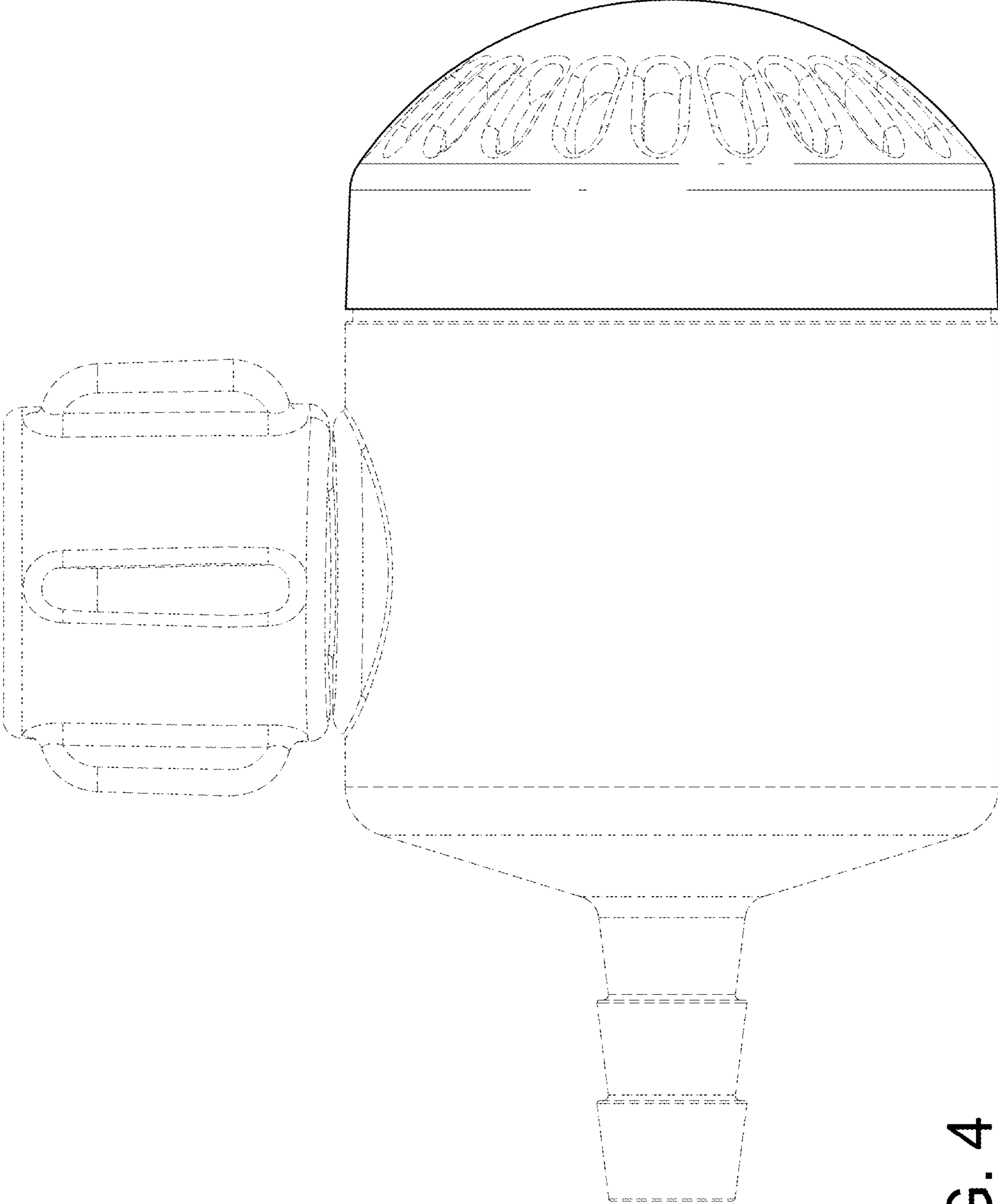


FIG. 4

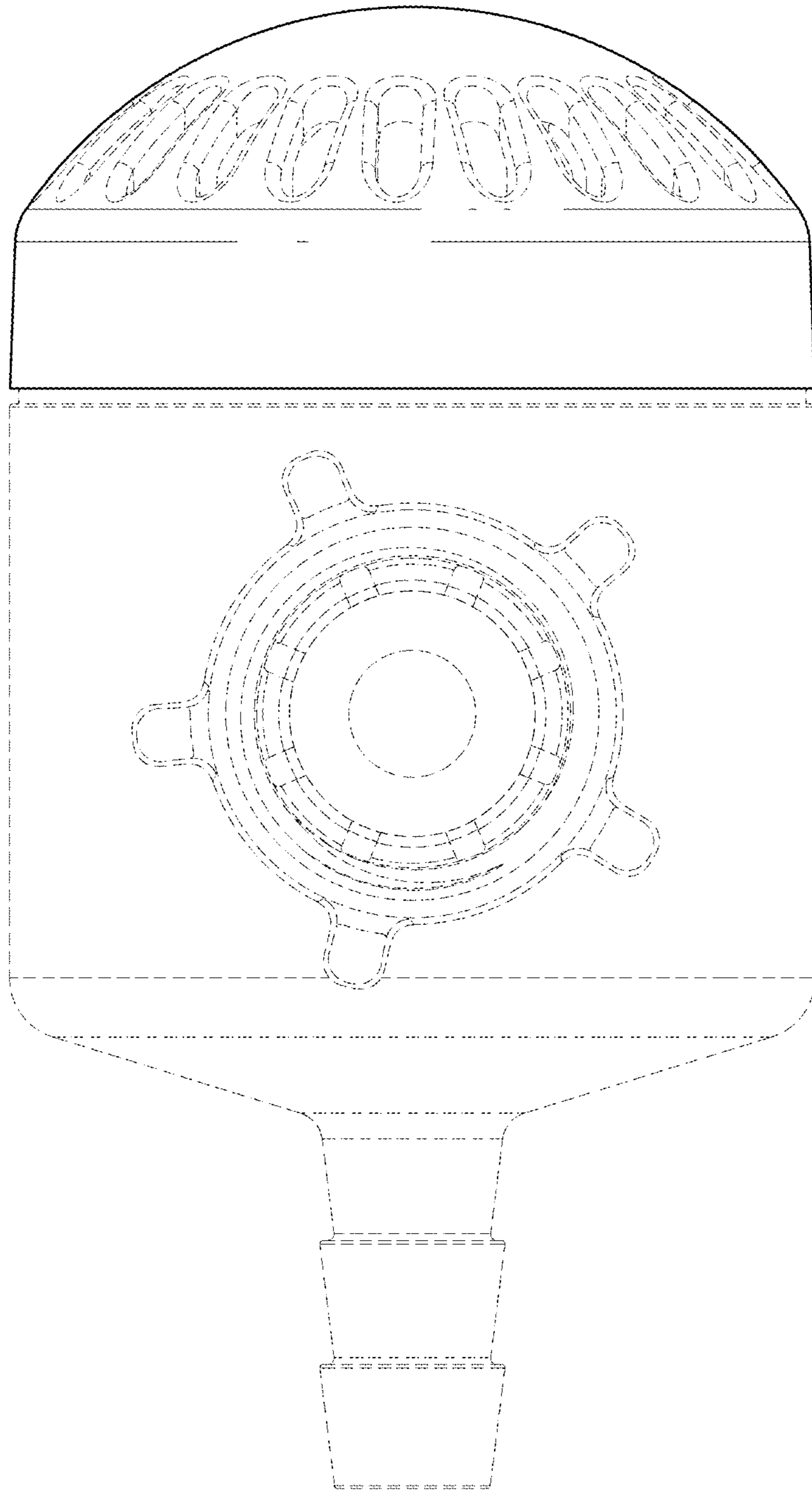


FIG. 5

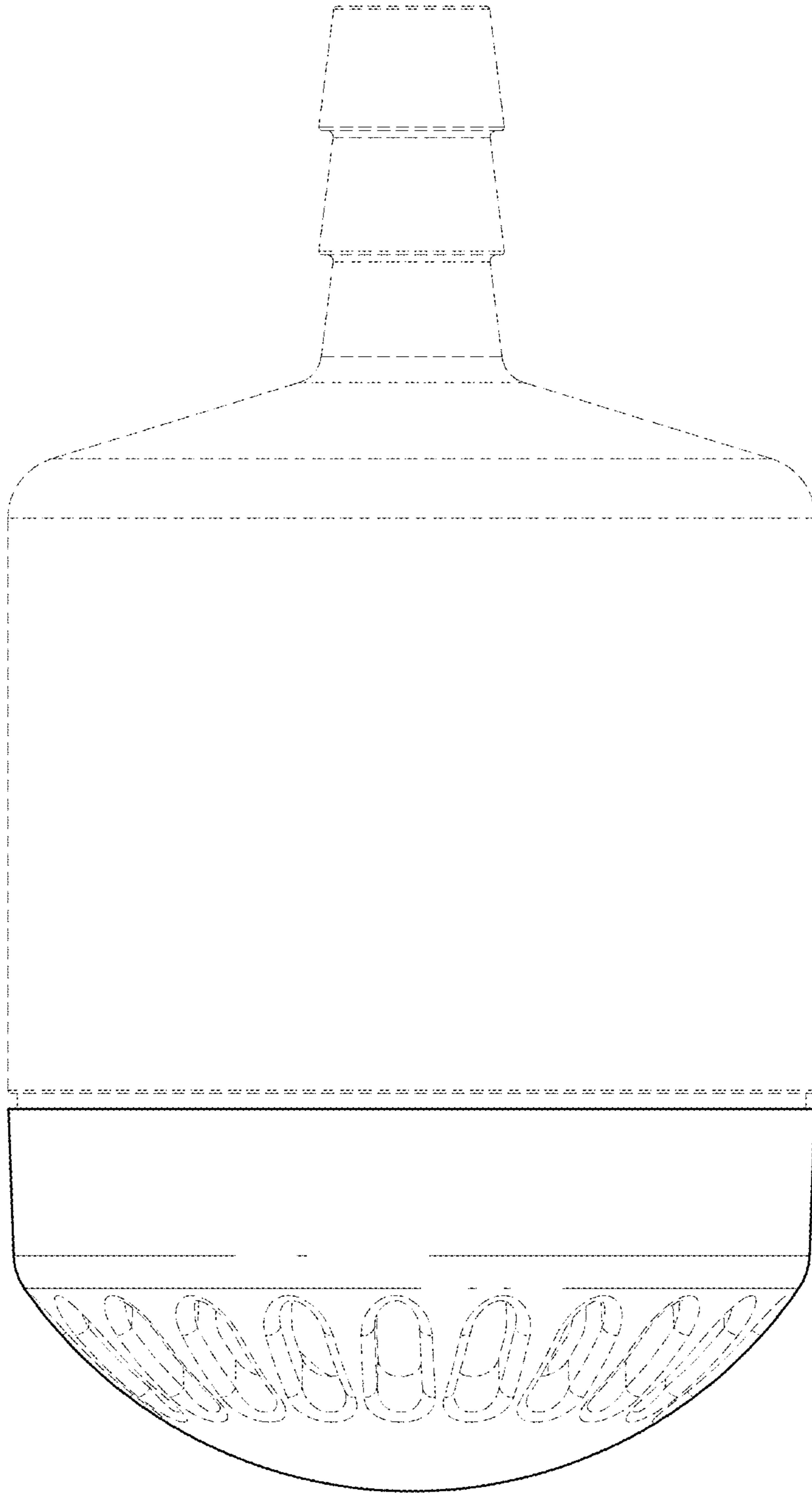


FIG. 6



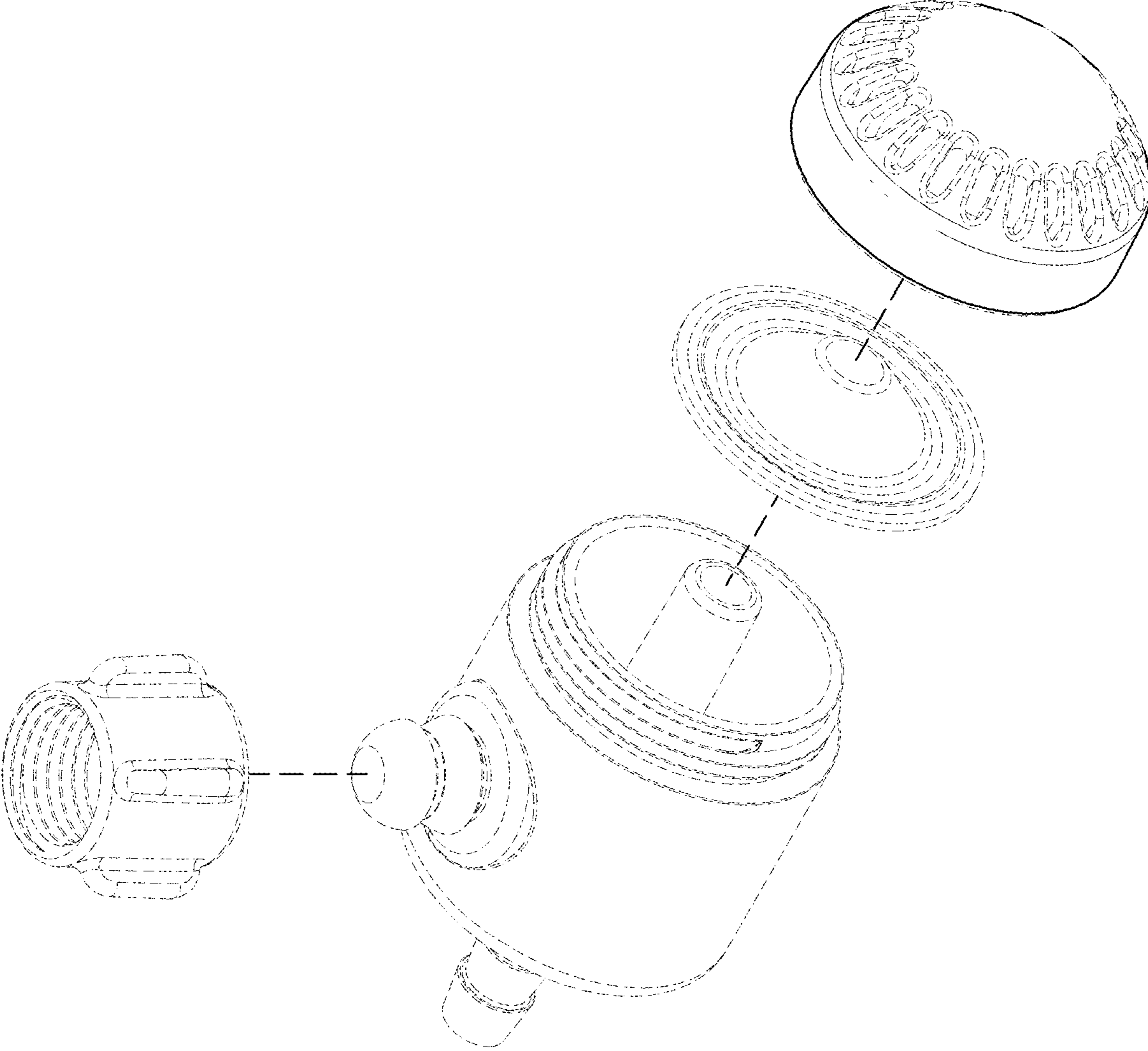


FIG. 7

UNITED STATES PATENT AND TRADEMARK OFFICE  
**CERTIFICATE OF CORRECTION**

PATENT NO. : D887,549 S  
APPLICATION NO. : 29/662935  
DATED : June 16, 2020  
INVENTOR(S) : Yassir Kamel Abdul-Hafiz, Virginia Thanh Ta and Chad A. DeJong

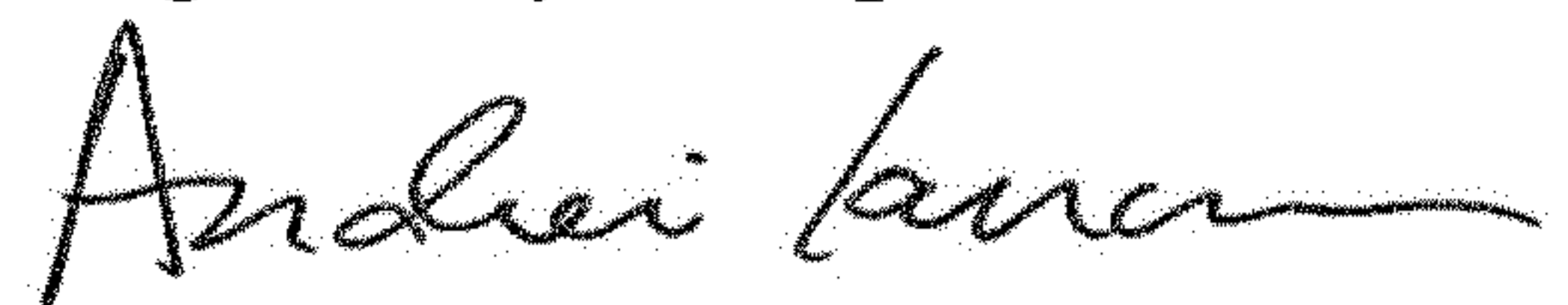
Page 1 of 1

It is certified that error appears in the above-identified patent and that said Letters Patent is hereby corrected as shown below:

On the Title Page

Column 1, Item (73), Line 1, under Assignee, delete "Masino" and insert --Masimo--.

Signed and Sealed this  
Eighth Day of September, 2020



Andrei Iancu  
*Director of the United States Patent and Trademark Office*