



US00D887548S

(12) **United States Design Patent** (10) **Patent No.:** **US D887,548 S**  
**Abdul-Hafiz et al.** (45) **Date of Patent:** **\*\* Jun. 16, 2020**

(54) **FLOW ALARM DEVICE HOUSING**  
 (71) Applicant: **MASIMO CORPORATION**, Irvine, CA (US)  
 (72) Inventors: **Yassir Kamel Abdul-Hafiz**, Irvine, CA (US); **Virginia Thanh Ta**, Santa Ana, CA (US); **Chad A. DeJong**, Los Angeles, CA (US)

D459,669 S \* 7/2002 Bowlds ..... D10/103  
 D469,865 S \* 2/2003 Bar-Or ..... D24/108  
 6,517,517 B1 \* 2/2003 Farrugia ..... A61M 5/2033  
 604/131  
 D478,662 S \* 8/2003 Flinchbaugh ..... D24/129  
 6,679,432 B1 1/2004 Arnold  
 7,298,280 B2 11/2007 Voegel  
 D605,282 S \* 12/2009 Nichetti ..... D24/108  
 7,730,847 B1 6/2010 Redd et al.

(Continued)

(73) Assignee: **Masimo Corporation**, Irvine, CA (US)  
 (\*\*) Term: **15 Years**

FOREIGN PATENT DOCUMENTS

CN 204193342 U 3/2015  
 WO WO 2007/132206 A1 11/2007

(Continued)

(21) Appl. No.: **29/662,908**  
 (22) Filed: **Sep. 10, 2018**  
 (51) **LOC (12) Cl.** ..... **24-02**  
 (52) **U.S. Cl.**  
 USPC ..... **D24/129**  
 (58) **Field of Classification Search**  
 USPC ..... D24/127-131, 112-114, 133, 186;  
 606/181, 185; 604/264, 523-528, 272,  
 604/187, 158, 164.01-164.11, 181, 184,  
 604/227; 600/101, 139, 143;  
 128/200.24, 207.14, 207.15  
 CPC .. G08B 21/02; G01F 15/185; A61M 16/0051;  
 A61M 2205/183; A61M 2205/186  
 See application file for complete search history.

*Primary Examiner* — Nathan M Johnston  
 (74) *Attorney, Agent, or Firm* — Knobbe, Martens, Olson & Bear, LLP

(57) **CLAIM**

The ornamental design for a flow alarm device housing, as shown and described.

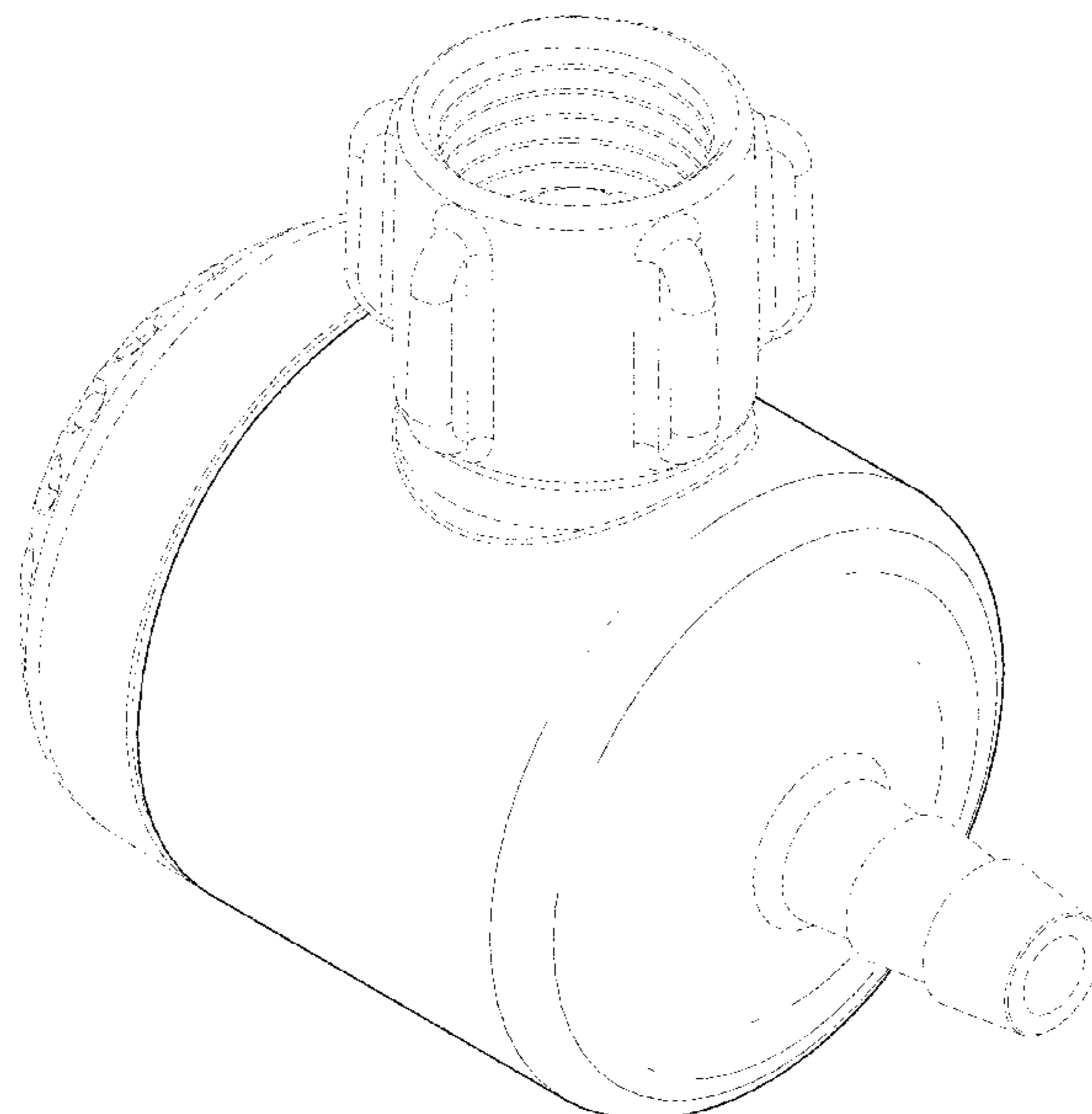
**DESCRIPTION**

FIG. 1 is a perspective view of a flow alarm device housing embodying our new design;  
 FIG. 2 is a front view thereof;  
 FIG. 3 is a side view thereof;  
 FIG. 4 is another side view thereof;  
 FIG. 5 is a top view thereof;  
 FIG. 6 is another top view thereof;  
 FIG. 7 is a bottom view thereof; and,  
 FIG. 8 is another perspective view thereof.  
 The dashed lines immediately adjacent to the shaded areas in the figures represent the boundaries of the claimed design. The dashed lines in the figures illustrate the portions of the design that form no part of the claimed design. None of the broken lines form any part of the claimed design.

(56) **References Cited**  
 U.S. PATENT DOCUMENTS

3,297,255 A 1/1967 Fortman  
 3,595,228 A 7/1971 Simon et al.  
 4,067,329 A 1/1978 Winicki  
 4,316,182 A 2/1982 Hodgson  
 4,669,415 A 6/1987 Boord  
 5,626,129 A 5/1997 Klimm et al.  
 5,836,302 A 11/1998 Homuth et al.  
 6,386,196 B1 5/2002 Culton

**1 Claim, 8 Drawing Sheets**



(56)

**References Cited**

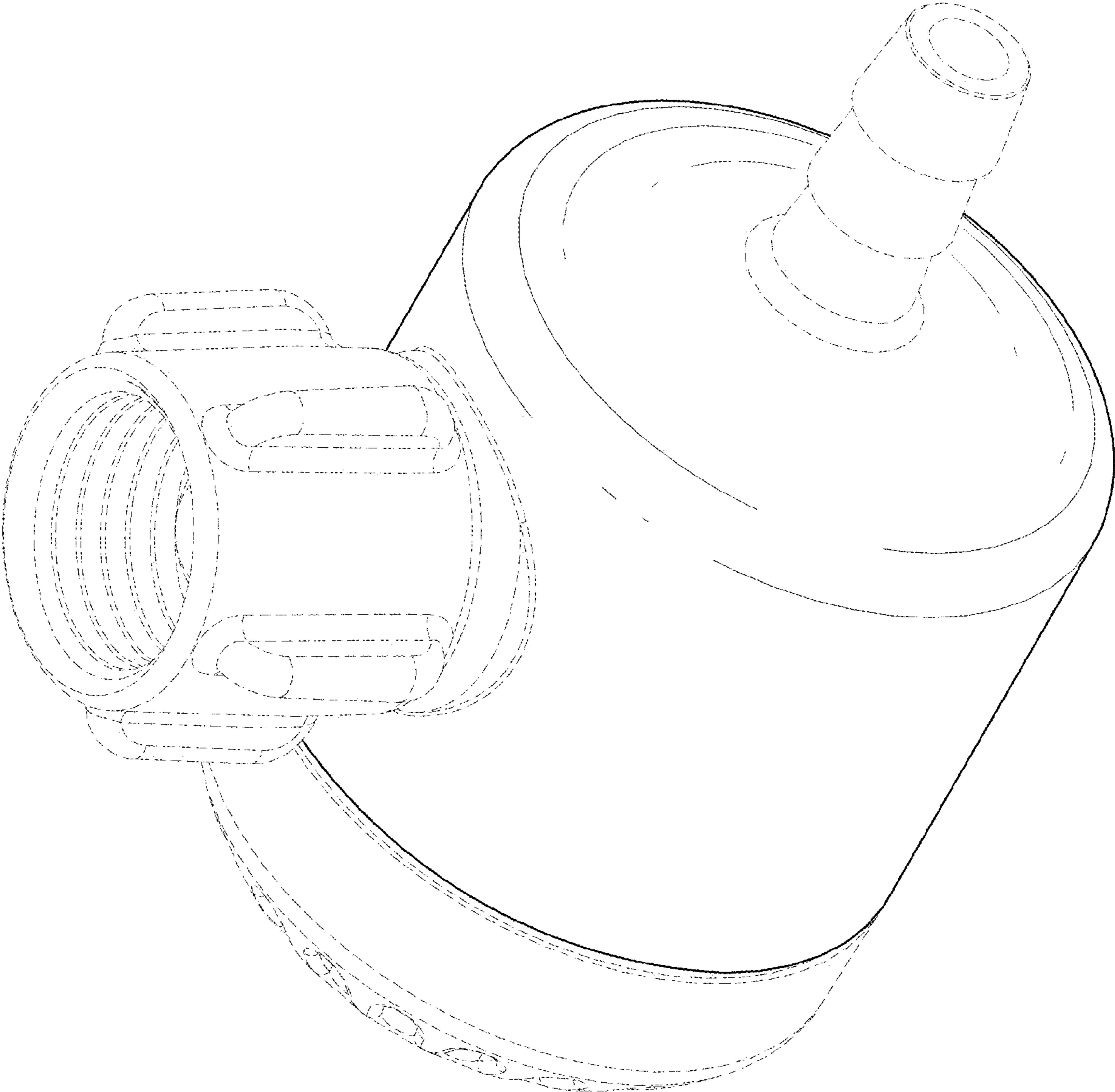
U.S. PATENT DOCUMENTS

7,896,401	B2	3/2011	Richards et al.	
D638,931	S *	5/2011	Graham .....	A61M 16/08 D24/127
8,707,950	B1	4/2014	Rubin	
D722,688	S *	2/2015	Hamilton .....	D24/110
D731,049	S *	6/2015	Winter .....	D24/107
9,186,528	B2	11/2015	Patil et al.	
D745,140	S *	12/2015	Wheeler .....	D24/110
D789,183	S *	6/2017	Herrick .....	D8/356
9,773,393	B2	9/2017	Velez	
D834,712	S *	11/2018	Gulliver .....	D24/129
D861,856	S *	10/2019	Lin .....	D24/110.1
2003/0189492	A1	10/2003	Harvie	
2007/0017515	A1	1/2007	Wallace et al.	
2008/0053441	A1	3/2008	Gottlbi et al.	
2010/0020529	A1	1/2010	Brooks et al.	
2011/0248856	A1	10/2011	Obenchain	
2013/0068221	A1	3/2013	Mian et al.	
2013/0228179	A1 *	9/2013	Fischer, Jr. ....	A61M 16/0484 128/204.18
2015/0170630	A1	6/2015	Dawson	
2017/0345272	A1	11/2017	Velez	

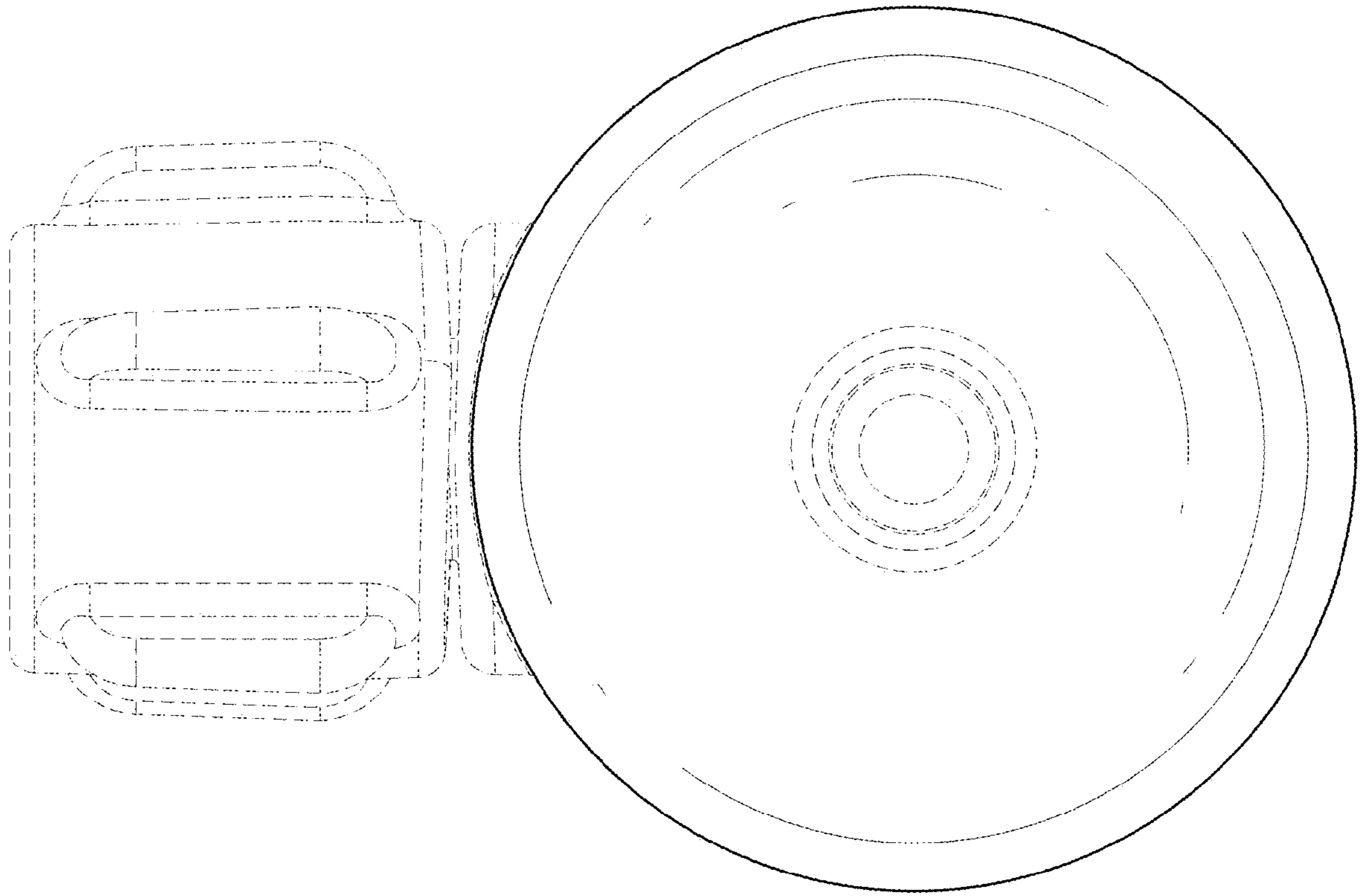
FOREIGN PATENT DOCUMENTS

WO	WO 2013/054963	A1	4/2013
WO	WO 2013/128221	A1	9/2013
WO	WO 2014/026221	A1	2/2014
WO	WO 2017/062454	A2	4/2017

\* cited by examiner



*FIG. 1*



*FIG. 2*

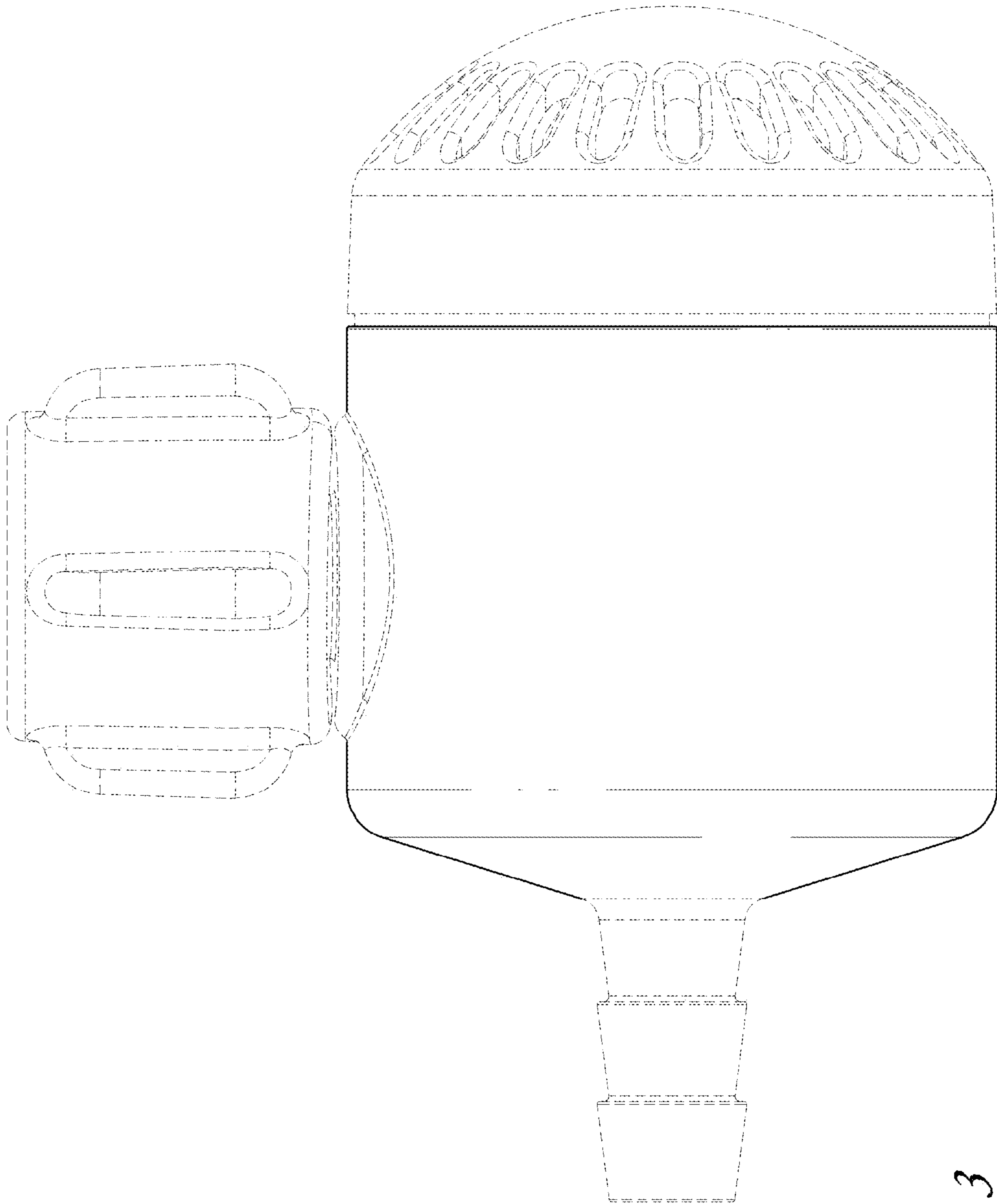


FIG. 3

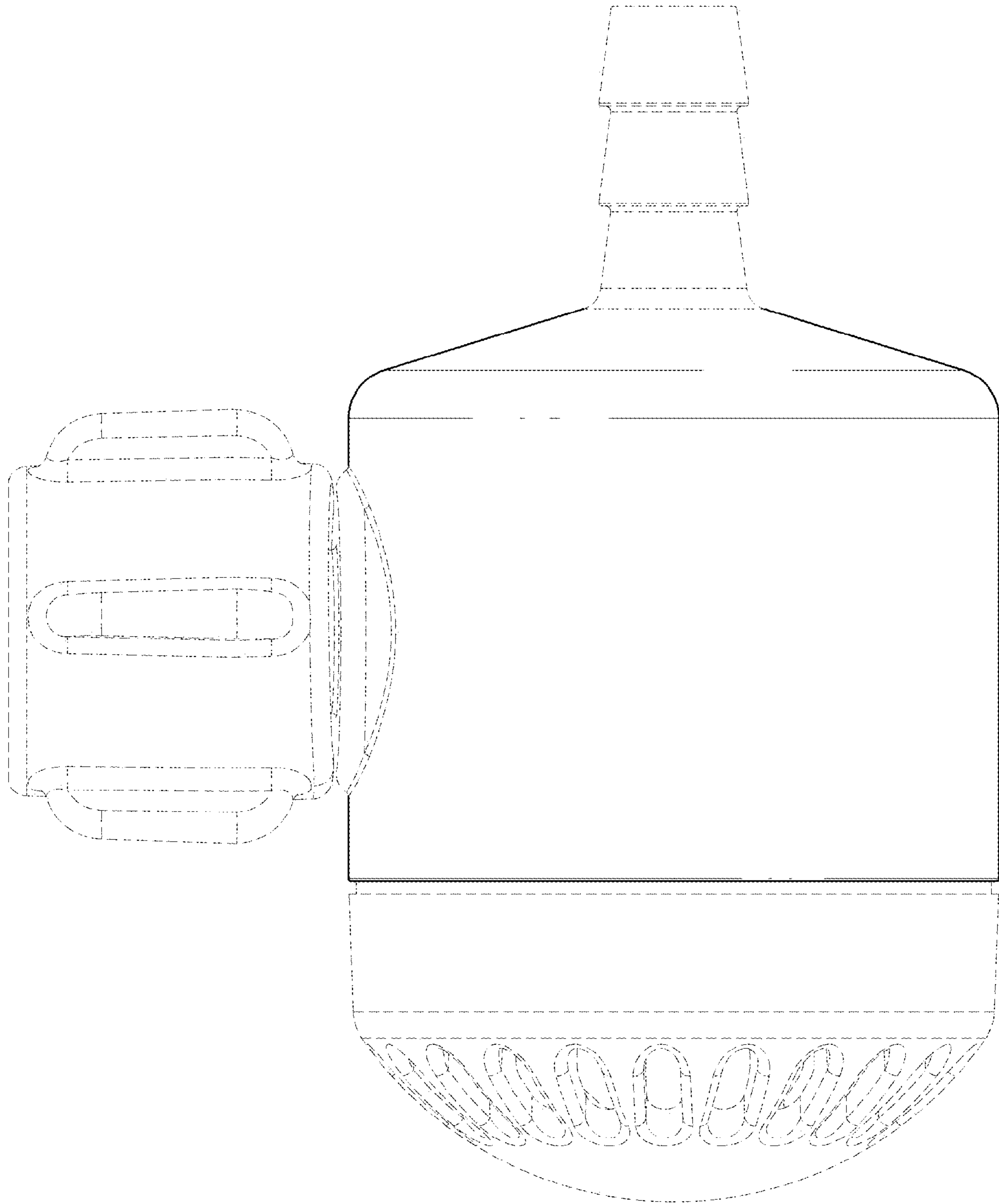
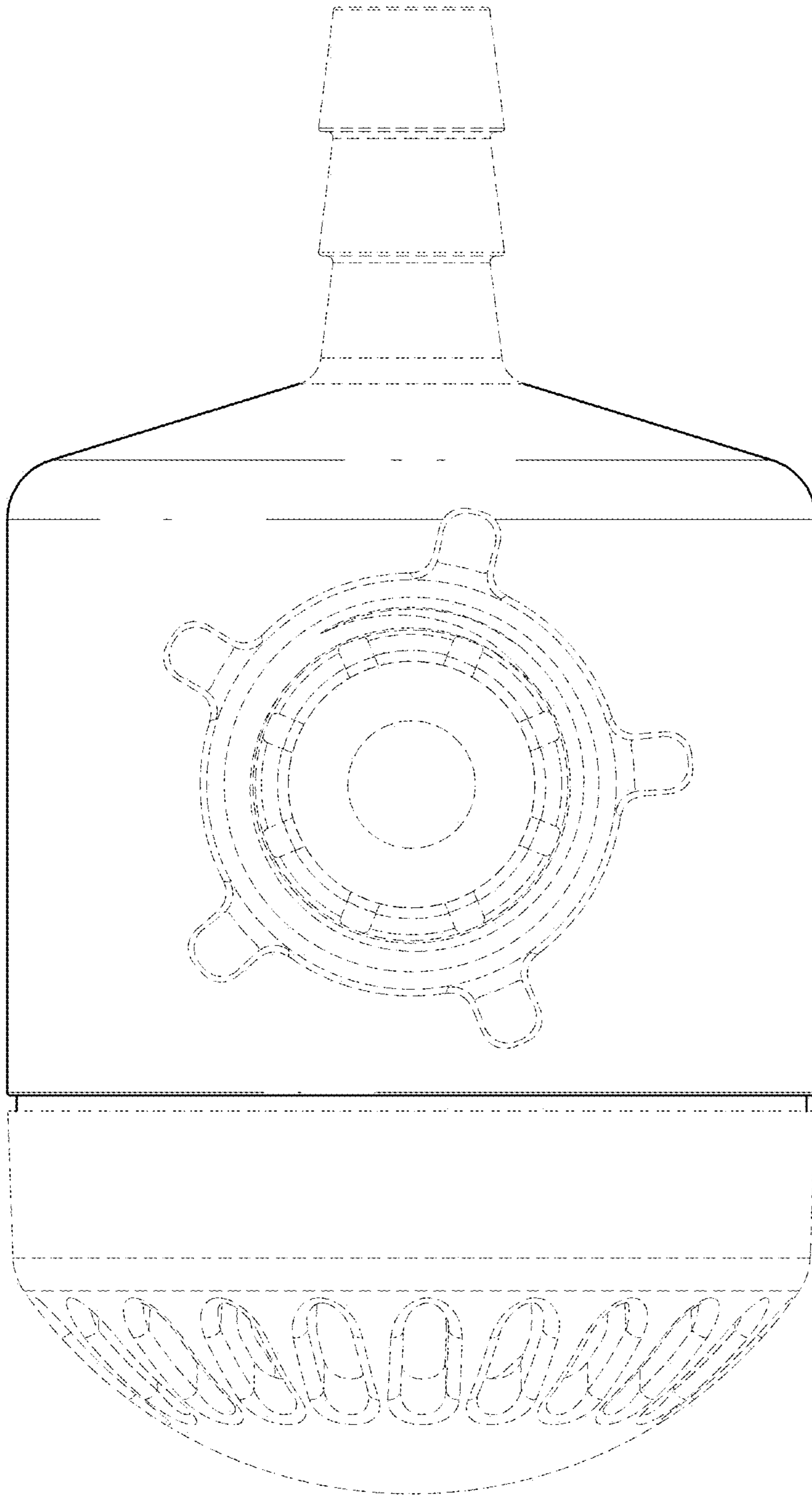
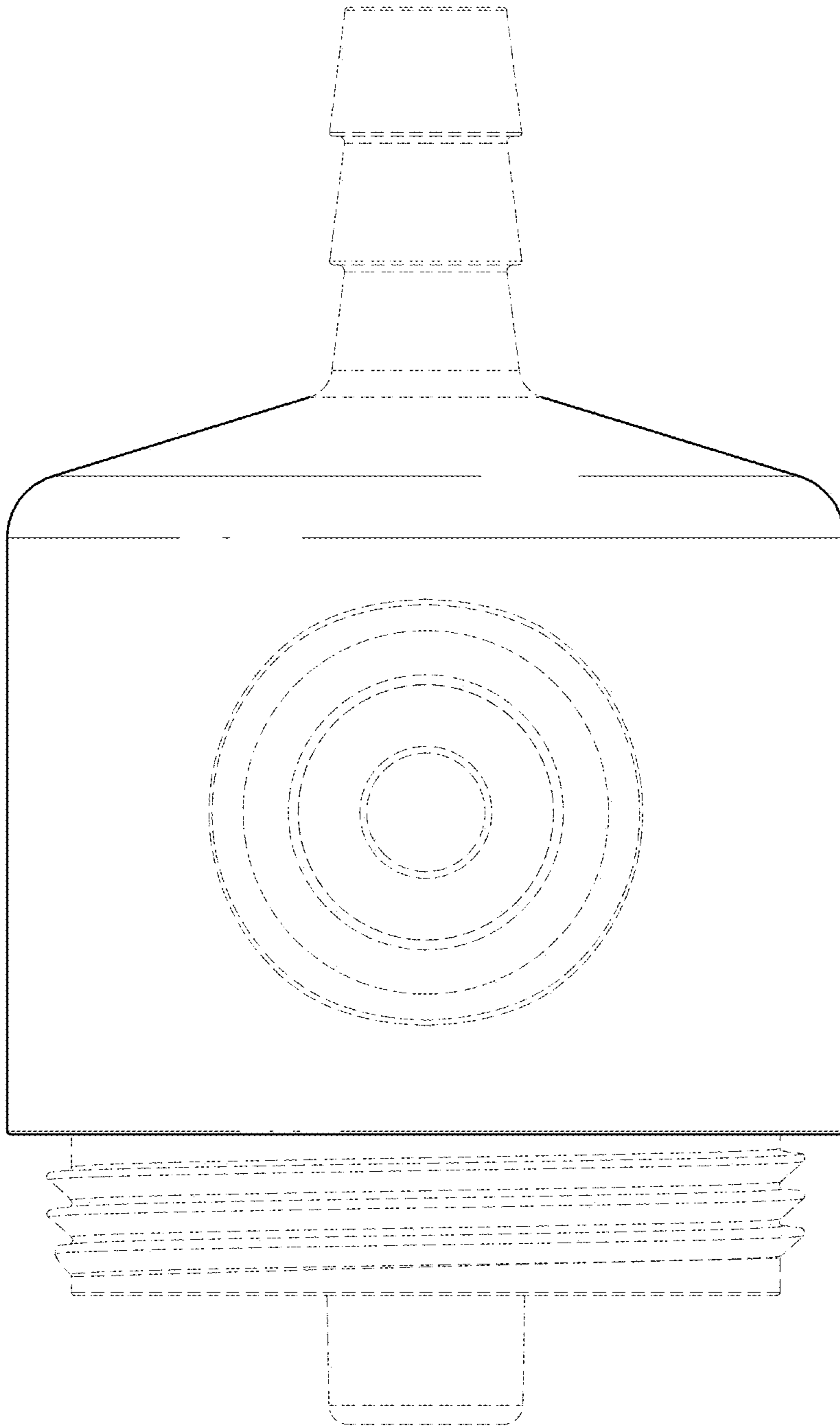


FIG. 4



*FIG. 5*



*FIG. 6*



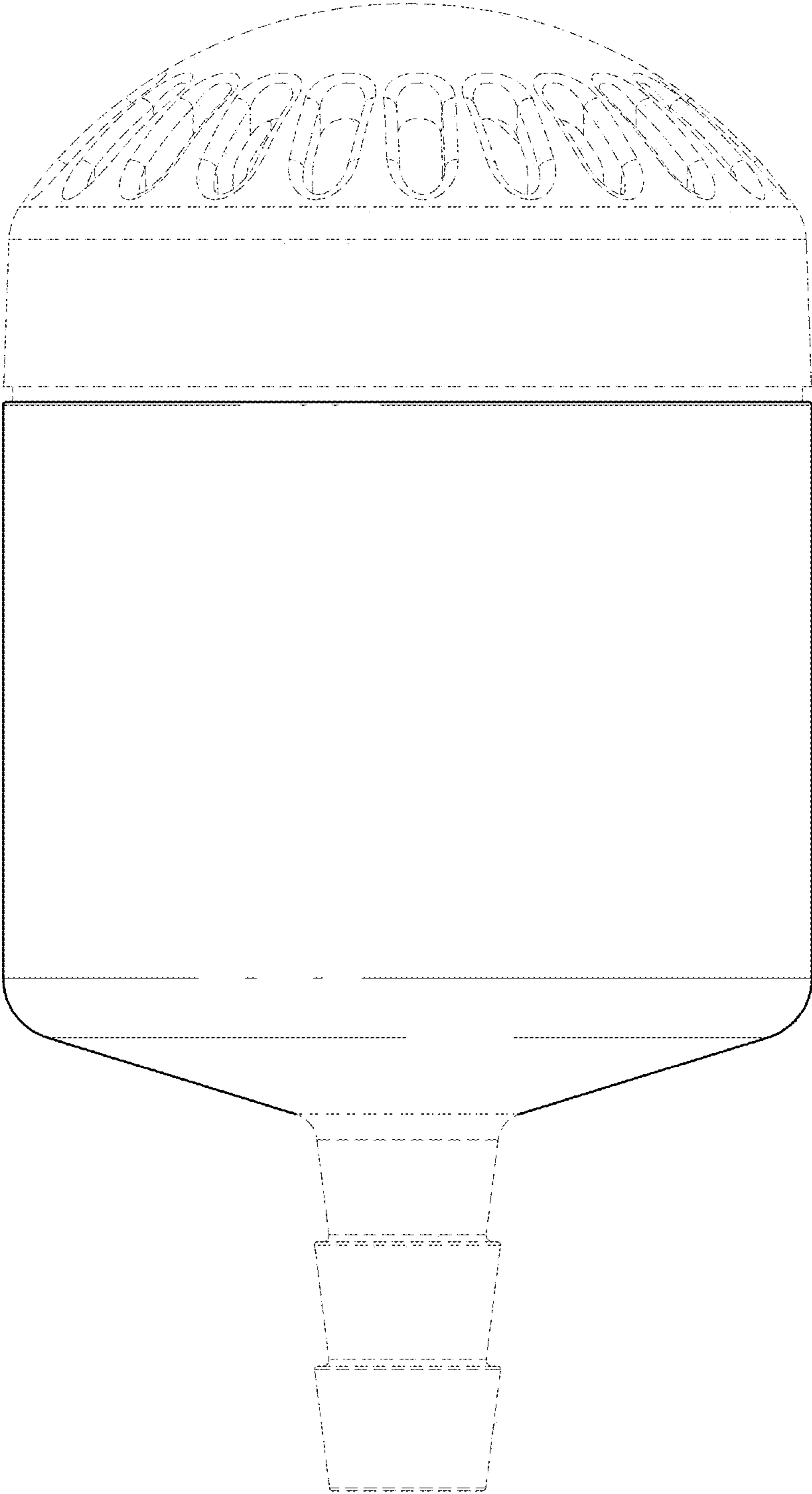


FIG. 7

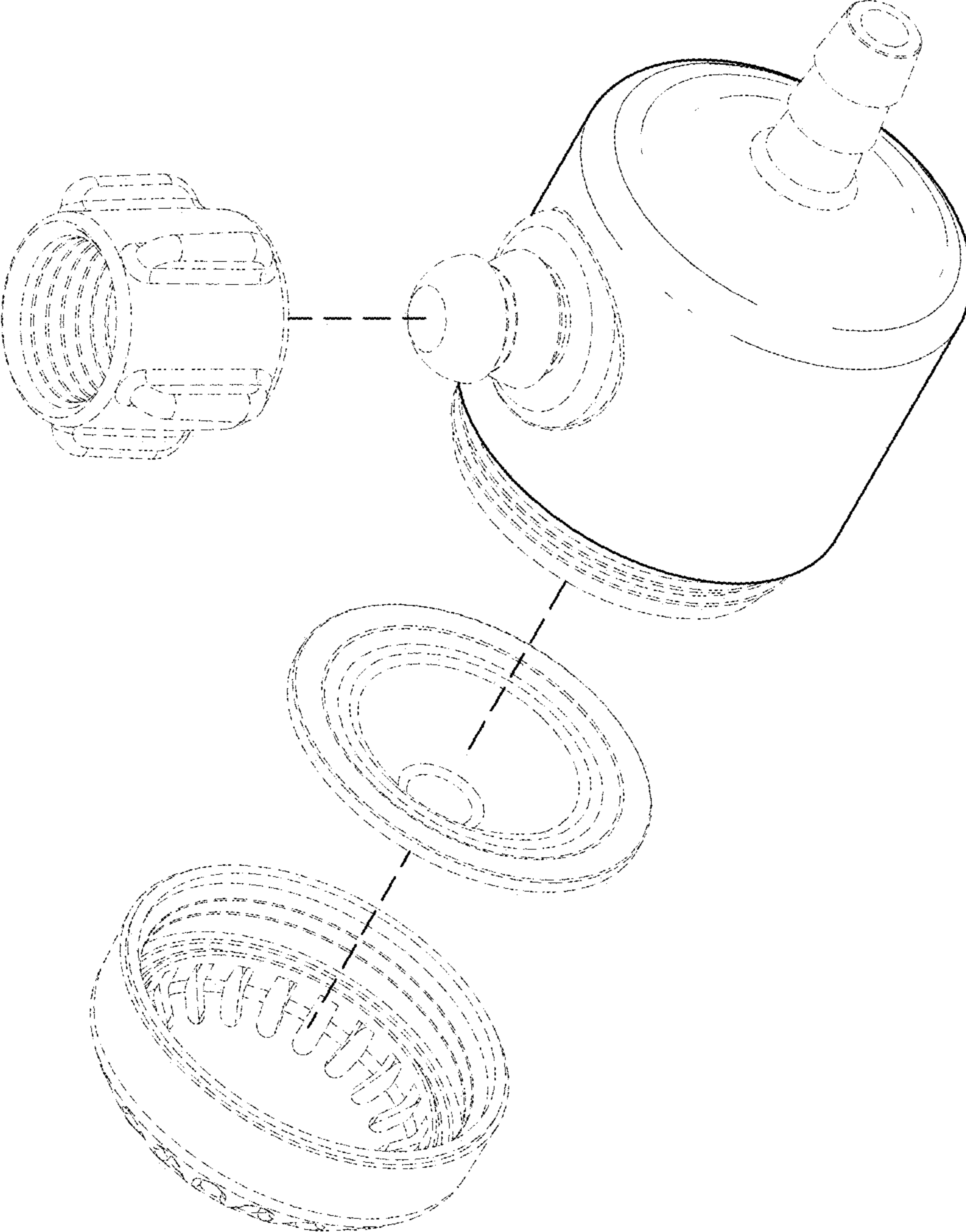


FIG. 8