



US00D887545S

(12) **United States Design Patent** (10) **Patent No.:** **US D887,545 S**  
**Heintze et al.** (45) **Date of Patent:** **\*\* Jun. 16, 2020**

(54) **DIAGNOSTIC APPARATUS**

(56) **References Cited**

(71) Applicant: **LUNAPHORE TECHNOLOGIES SA, Lausanne (CH)**  
 (72) Inventors: **Deborah Heintze, Lausanne (CH); Amy Jones, Chavannes-de-Bogis (CH); Lennart Behrmann, Glattpark (CH)**

U.S. PATENT DOCUMENTS

D380,550 S *	7/1997	Dennewill .....	D24/111
D400,249 S *	10/1998	Holubar .....	D24/107
D459,799 S *	7/2002	Stromberg .....	D24/107
D490,516 S *	5/2004	Takahashi .....	D24/107
D534,654 S *	1/2007	Hayamizu .....	D24/107
D626,224 S *	10/2010	Amano .....	D24/107
D640,376 S *	6/2011	Amano .....	D24/107
D724,219 S *	3/2015	Daynes .....	D24/167
D728,776 S *	5/2015	Rogers .....	D24/107
D735,865 S *	8/2015	Nishimura .....	D24/164
D765,832 S *	9/2016	Hochman .....	D24/111
D799,717 S *	10/2017	Bohm .....	D24/232
D801,519 S *	10/2017	Sabin .....	D24/108
D846,745 S *	4/2019	Clifford .....	D24/185
D851,255 S *	6/2019	Fluxman .....	D24/169
D857,903 S *	8/2019	Esfandiari .....	D24/185
D871,607 S *	12/2019	Williams .....	D24/224

(\*\*) Term: **15 Years**

(21) Appl. No.: **35/506,301**

(22) Filed: **Jul. 11, 2018**

(80) **Hague Agreement Data**

Int. Filing Date: **Jul. 11, 2018**  
 Int. Reg. No.: **DM/102673**  
 Int. Reg. Date: **Jul. 11, 2018**  
 Int. Reg. Pub. Date: **Jan. 11, 2019**

\* cited by examiner

*Primary Examiner* — Samantha Q Lawrence

(51) **LOC (12) Cl.** ..... **24-01**

(52) **U.S. Cl.**

USPC ..... **D24/107**

(58) **Field of Classification Search**

USPC ..... D24/107, 108, 111, 144, 167, 169, 185,  
 D24/186, 187, 216, 217, 218, 219, 220,  
 D24/221, 22, 223, 224, 225, 226, 227,  
 D24/228, 229, 230, 231, 232, 233, 234;  
 D10/81, 97; D14/420, 421, 448  
 CPC ..... G01N 2035/00306; G01N 2035/00326;  
 G01N 2035/00336; G01N 33/53; G01N  
 33/5302; G01N 33/569; C12Q 1/686;  
 B01L 7/52

See application file for complete search history.

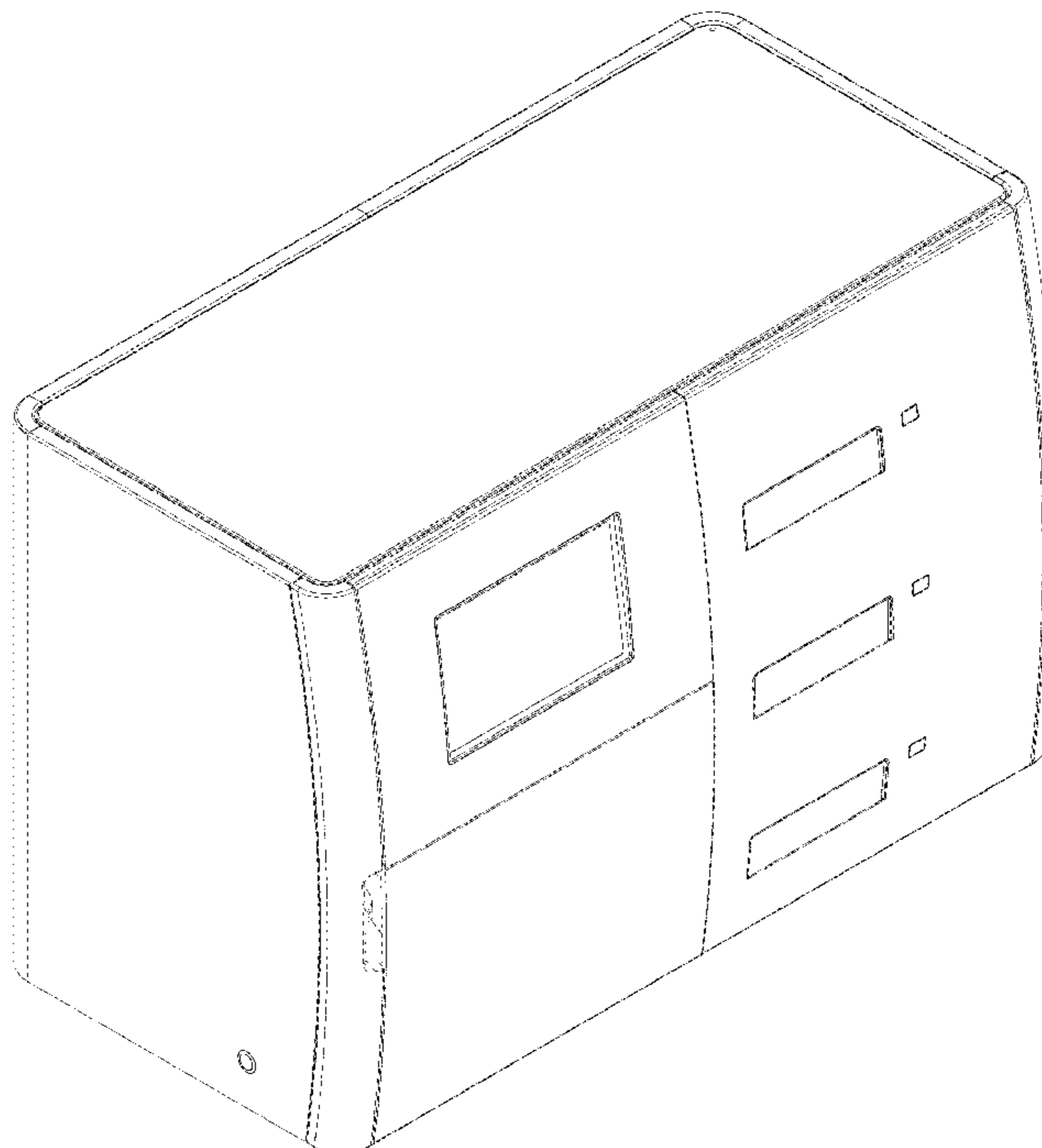
(57) **CLAIM**

The ornamental design for a diagnostic apparatus, as shown and described.

**DESCRIPTION**

Figure 1.1 is a perspective view of a diagnostic apparatus; Figure 1.2 is a front view thereof; Figure 1.3 is a right view thereof; Figure 1.4 is a left view thereof; Figure 1.5 is a top view thereof; and, Figure 1.6 is a back view thereof. The broken line areas showing portions of the diagnostic apparatus form no part of the claimed design.

**1 Claim, 6 Drawing Sheets**



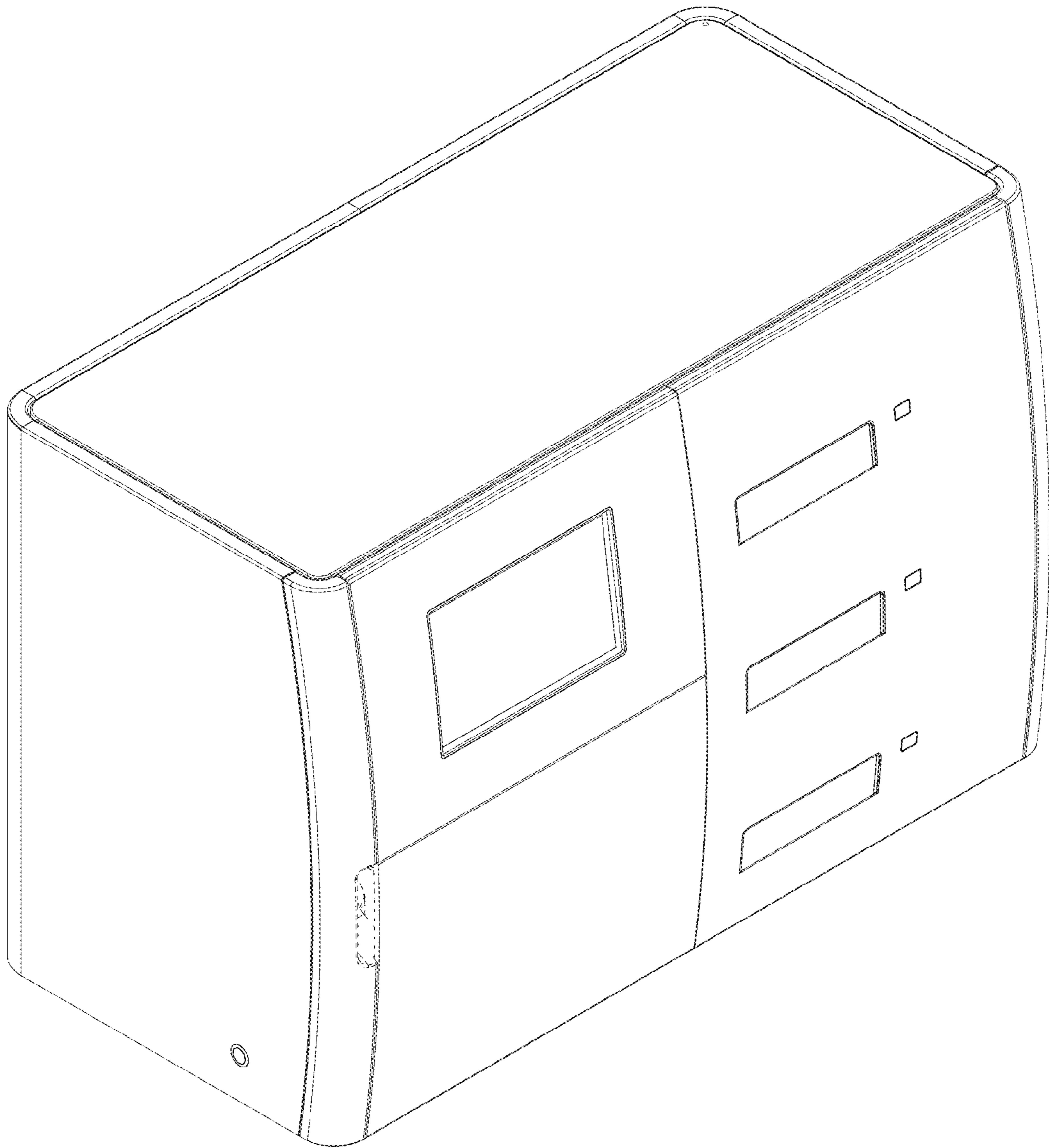
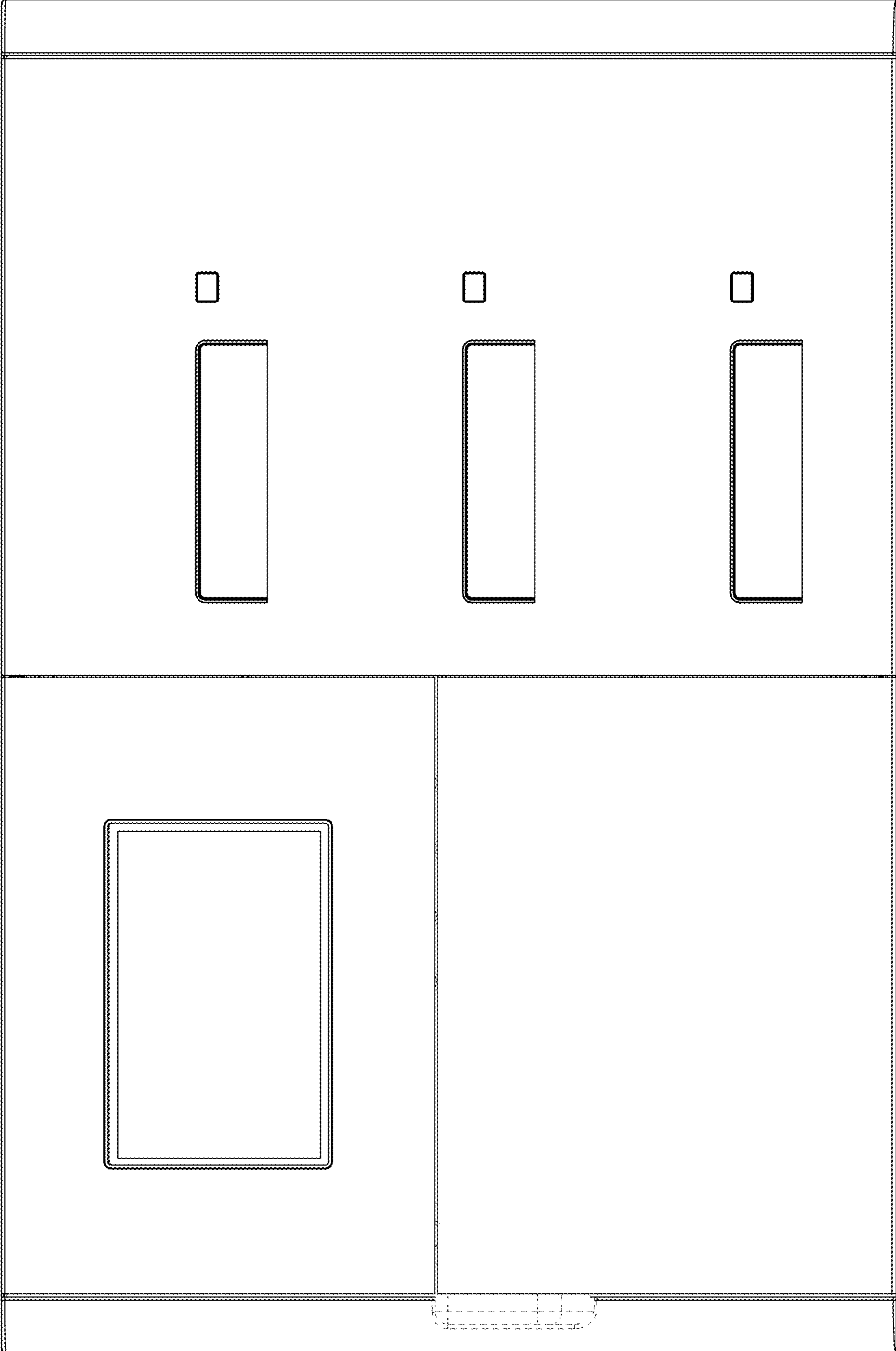
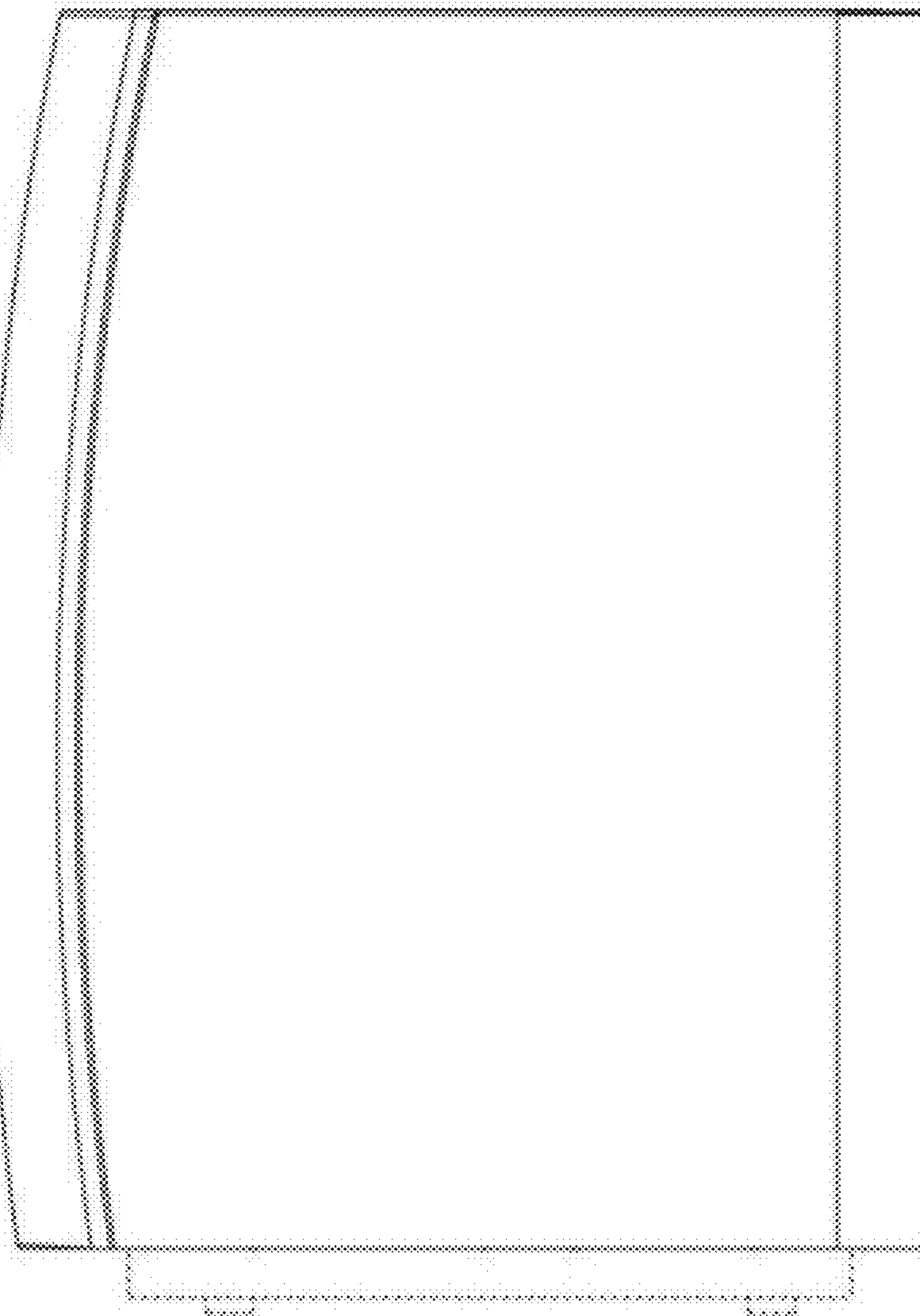


Fig. 1.1

Fig. 1.2



1.3



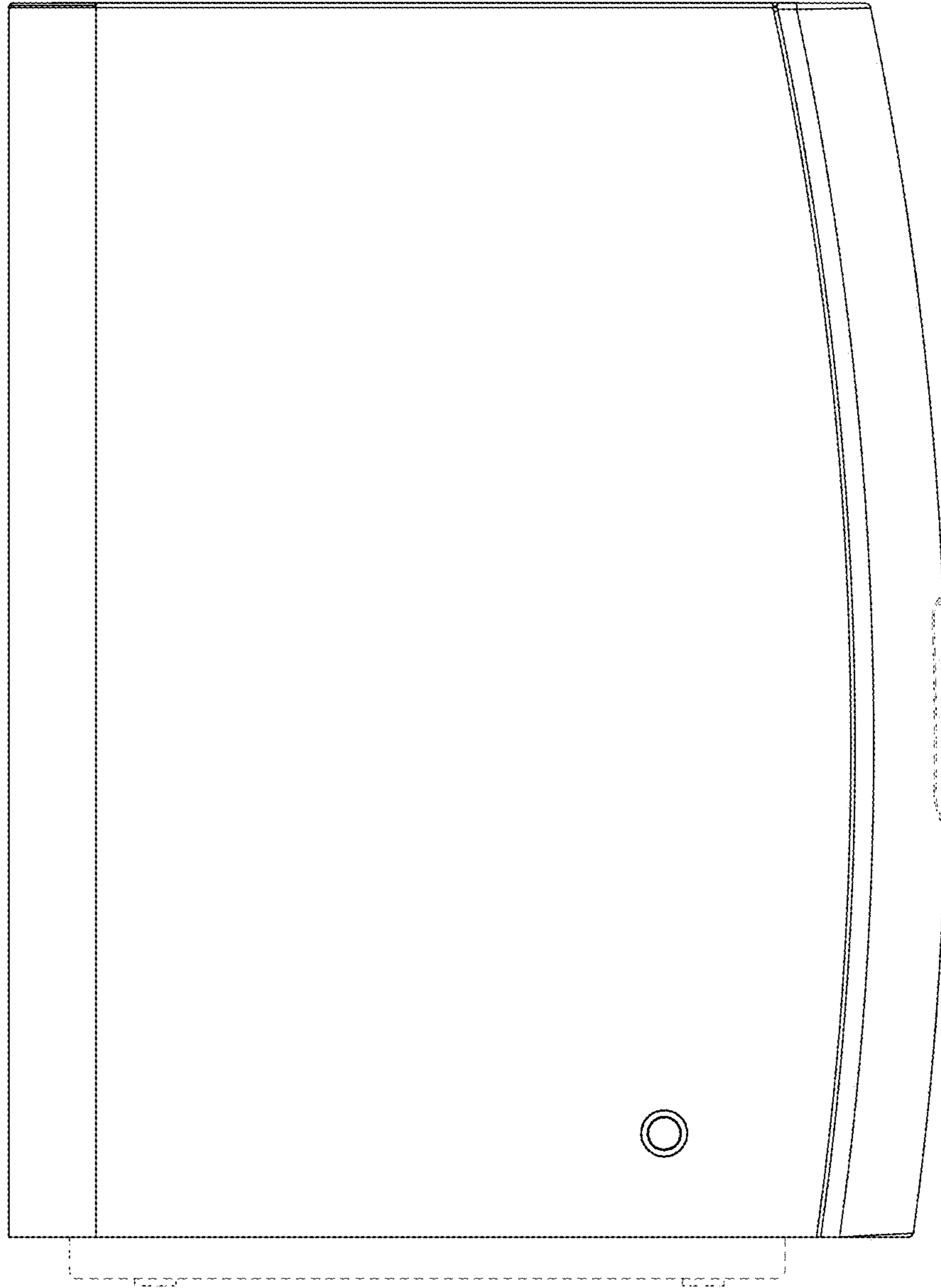


Fig. 1.4

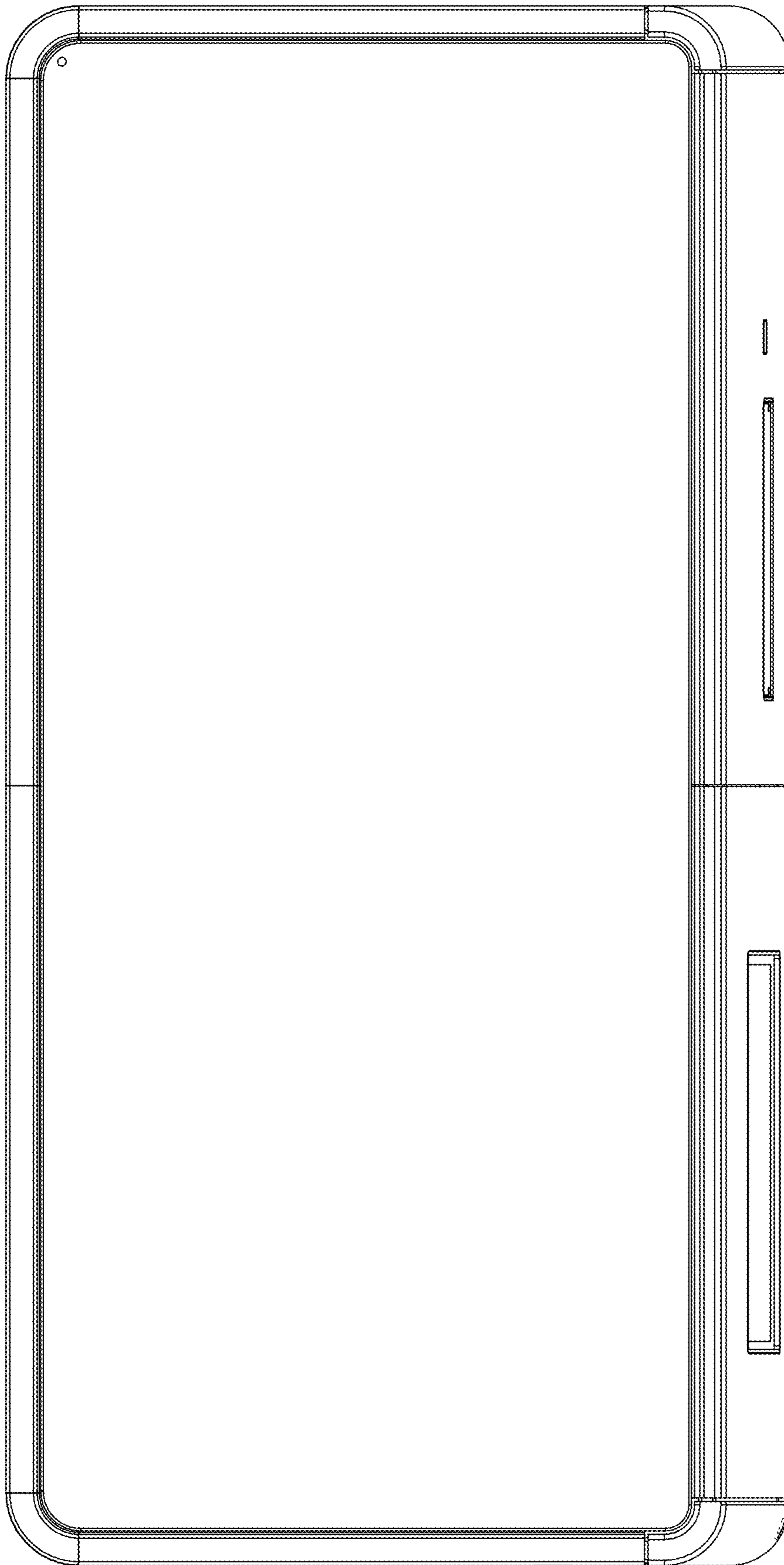


Fig. 1.5

Fig. 1.6

