



US00D887543S

(12) **United States Design Patent**  
**Gu**

(10) **Patent No.:** **US D887,543 S**  
(45) **Date of Patent:** **\*\* Jun. 16, 2020**

- (54) **EAR PLUG**
- (71) Applicant: **Jiangyin Sian Plastic Protech Co., Ltd, Jiangyin (CN)**
- (72) Inventor: **Shaorong Gu, Jiangyin (CN)**
- (73) Assignee: **JIANGYIN SIAN PLASTIC PROTECH CO., LTD, Jiangyin (CN)**
- (\*\*) Term: **15 Years**
- (21) Appl. No.: **29/665,053**
- (22) Filed: **Sep. 29, 2018**
- (51) **LOC (12) Cl.** ..... **24-04**
- (52) **U.S. Cl.**  
USPC ..... **D24/106**
- (58) **Field of Classification Search**  
USPC ..... D24/106, 173, 174; D29/112; D14/223  
CPC ..... A61F 11/08; A61F 11/12; A61F 2011/085  
See application file for complete search history.

- D624,999 S \* 10/2010 Turdjian ..... A61F 11/08  
D24/106
- D632,793 S \* 2/2011 Gunnensen ..... D24/174
- D773,032 S \* 11/2016 Palmborg ..... D24/106
- 2017/0095372 A1\* 4/2017 Aceti ..... A61F 11/08

\* cited by examiner

*Primary Examiner* — Richelle G Shelton

(57) **CLAIM**

The ornamental design for an ear plug, as shown and described.

**DESCRIPTION**

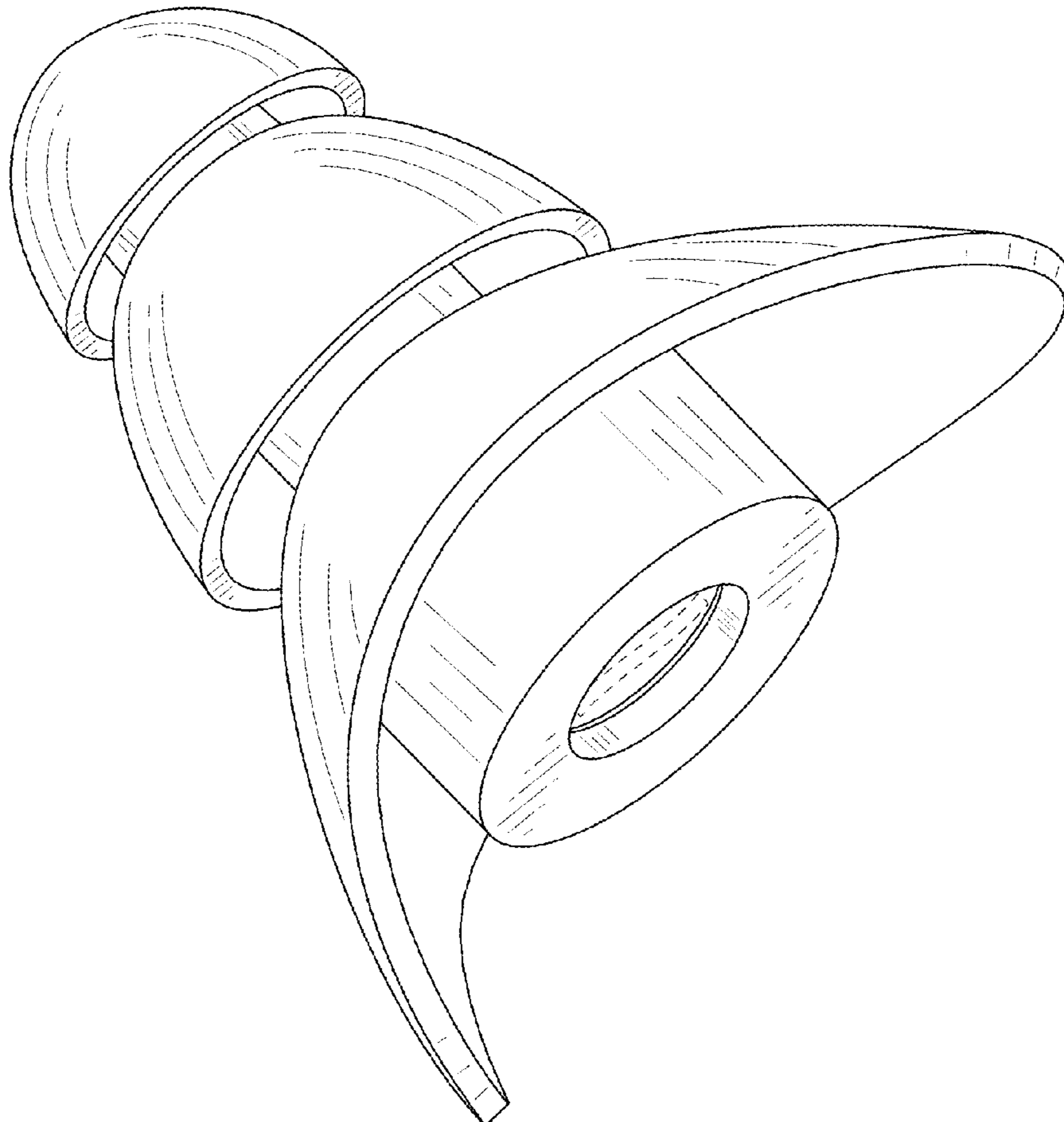
FIG. 1 is a front elevational view of the ear plug showing my new design;  
 FIG. 2 is a rear elevational view thereof;  
 FIG. 3 is a left side elevational view thereof;  
 FIG. 4 is a right side elevational view thereof;  
 FIG. 5 is a top plan view thereof; and  
 FIG. 6 is a bottom plan view thereof; and,  
 FIG. 7 is a perspective view thereof.  
 The broken lines are for the purpose of illustrating portions of the ear plug and form no part of the claimed design.

**1 Claim, 7 Drawing Sheets**

(56) **References Cited**

**U.S. PATENT DOCUMENTS**

- D298,356 S \* 11/1988 Falco ..... D24/106
- D511,381 S \* 11/2005 Chiang ..... D24/106



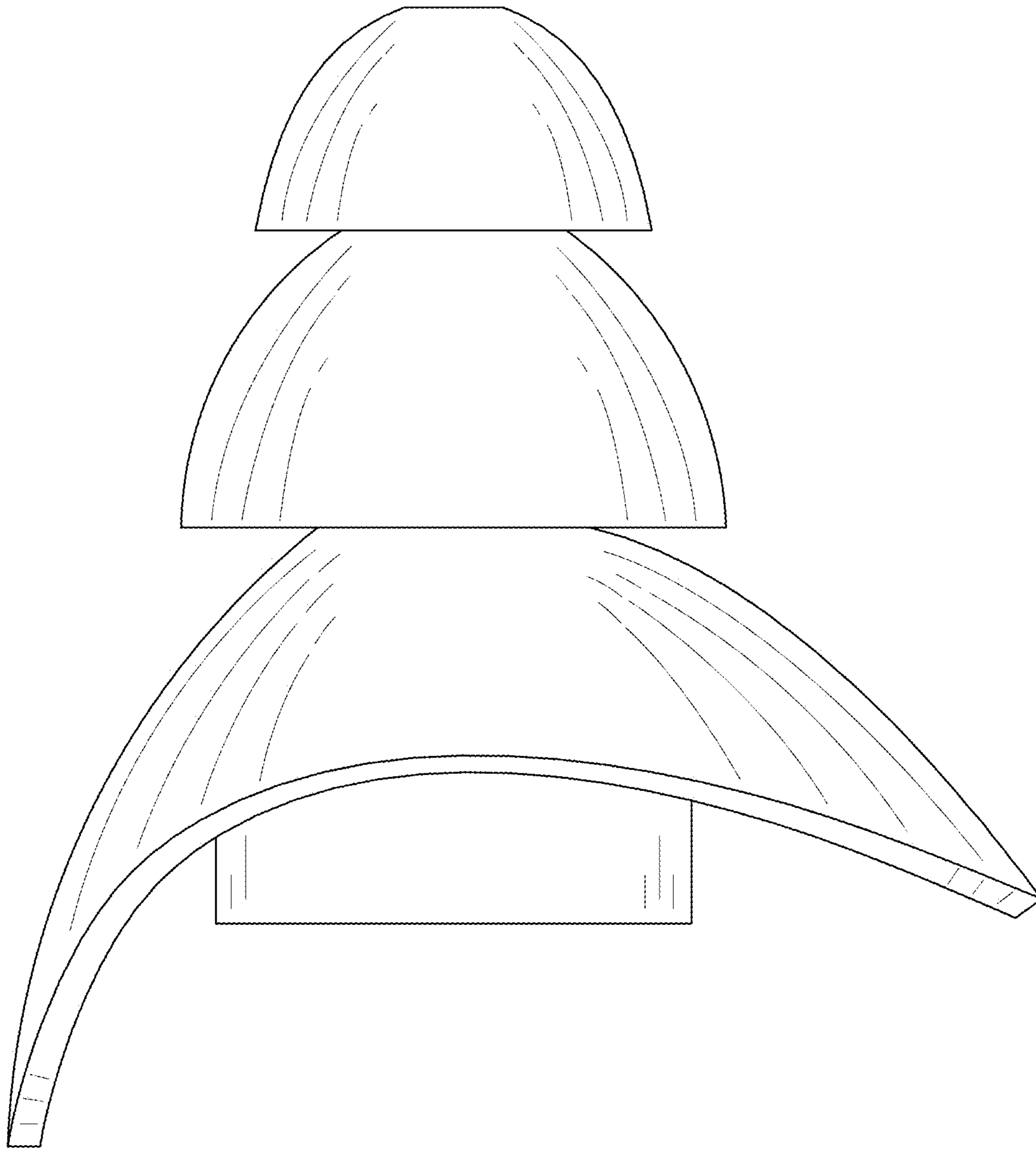


FIG. 1

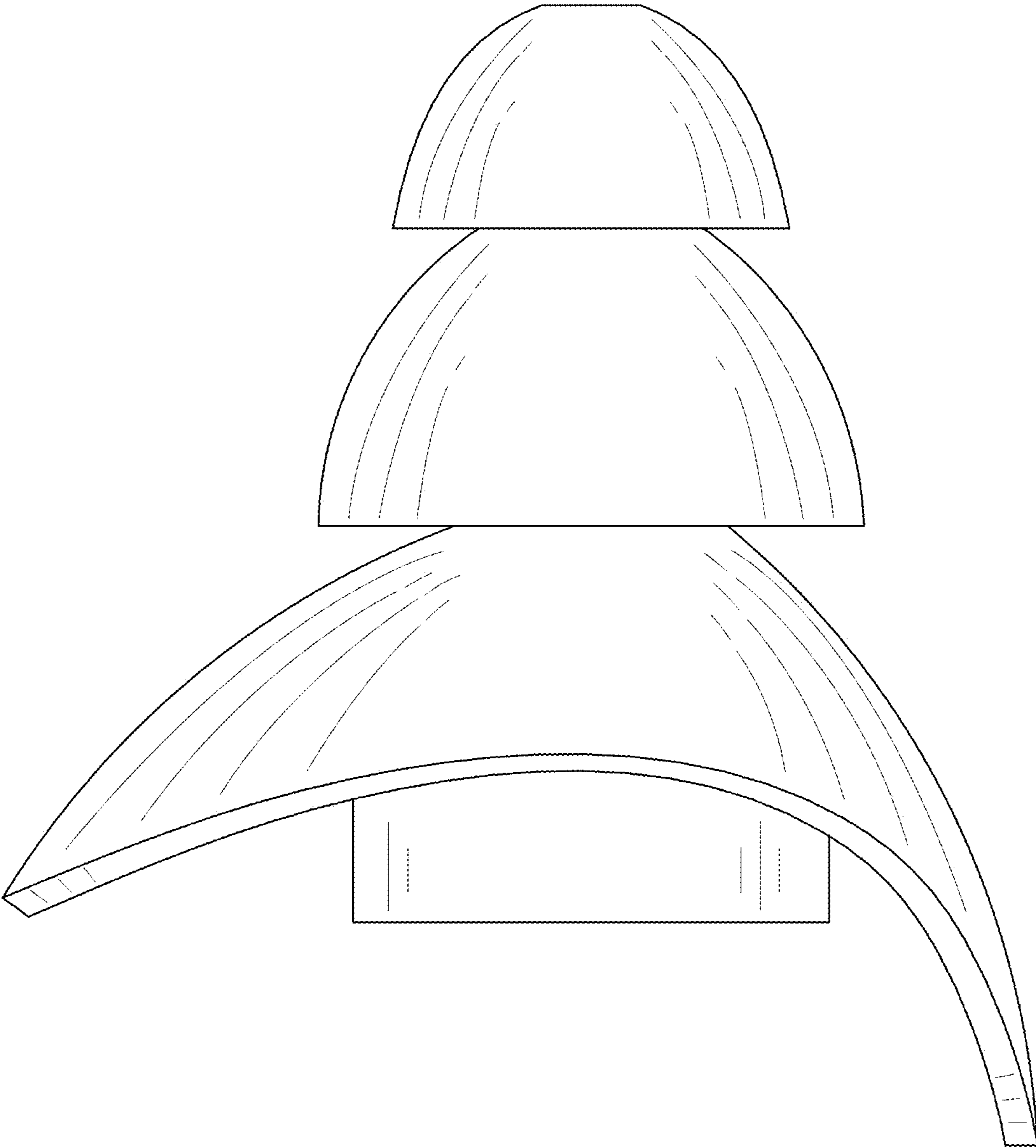


FIG. 2

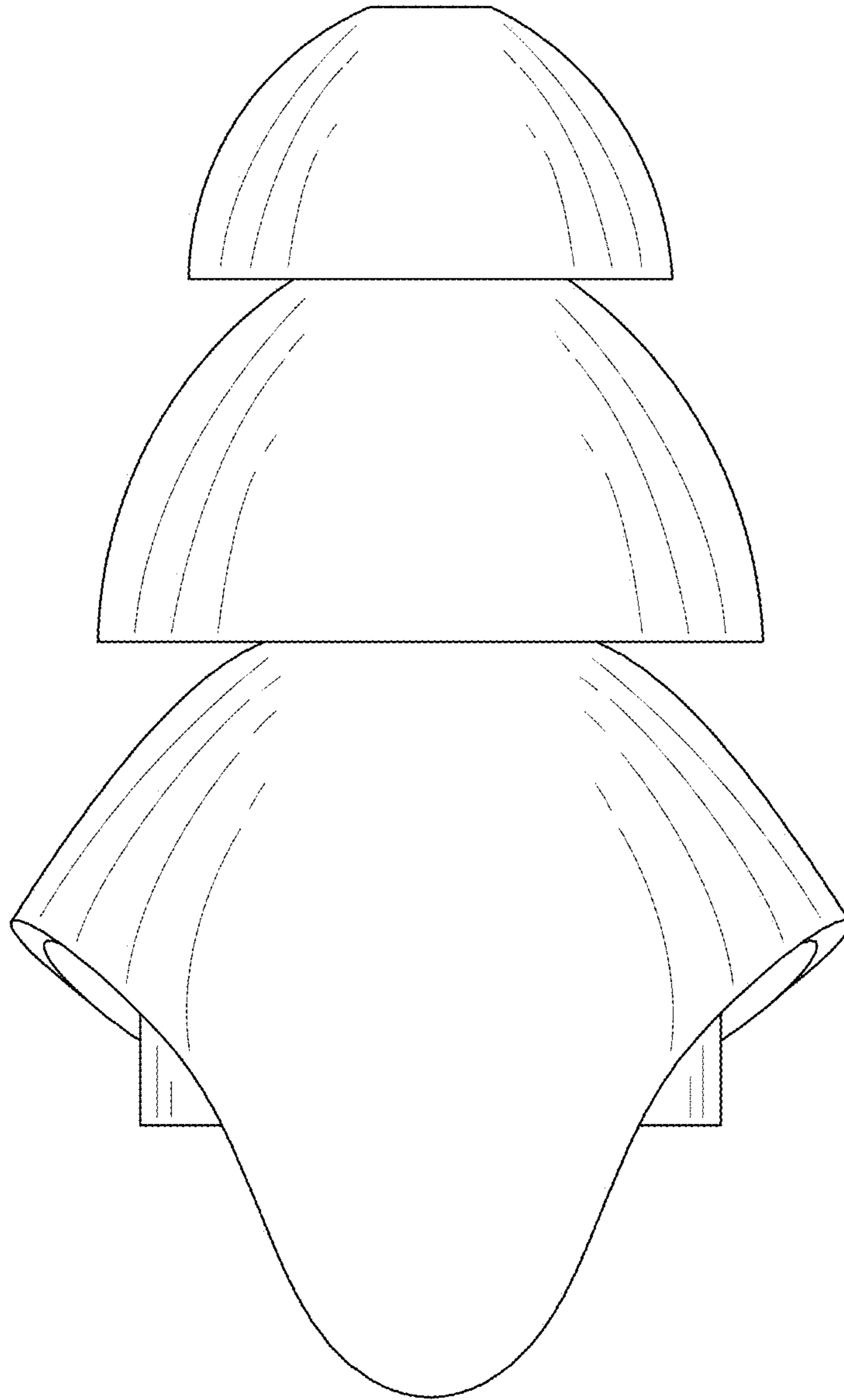


FIG. 3

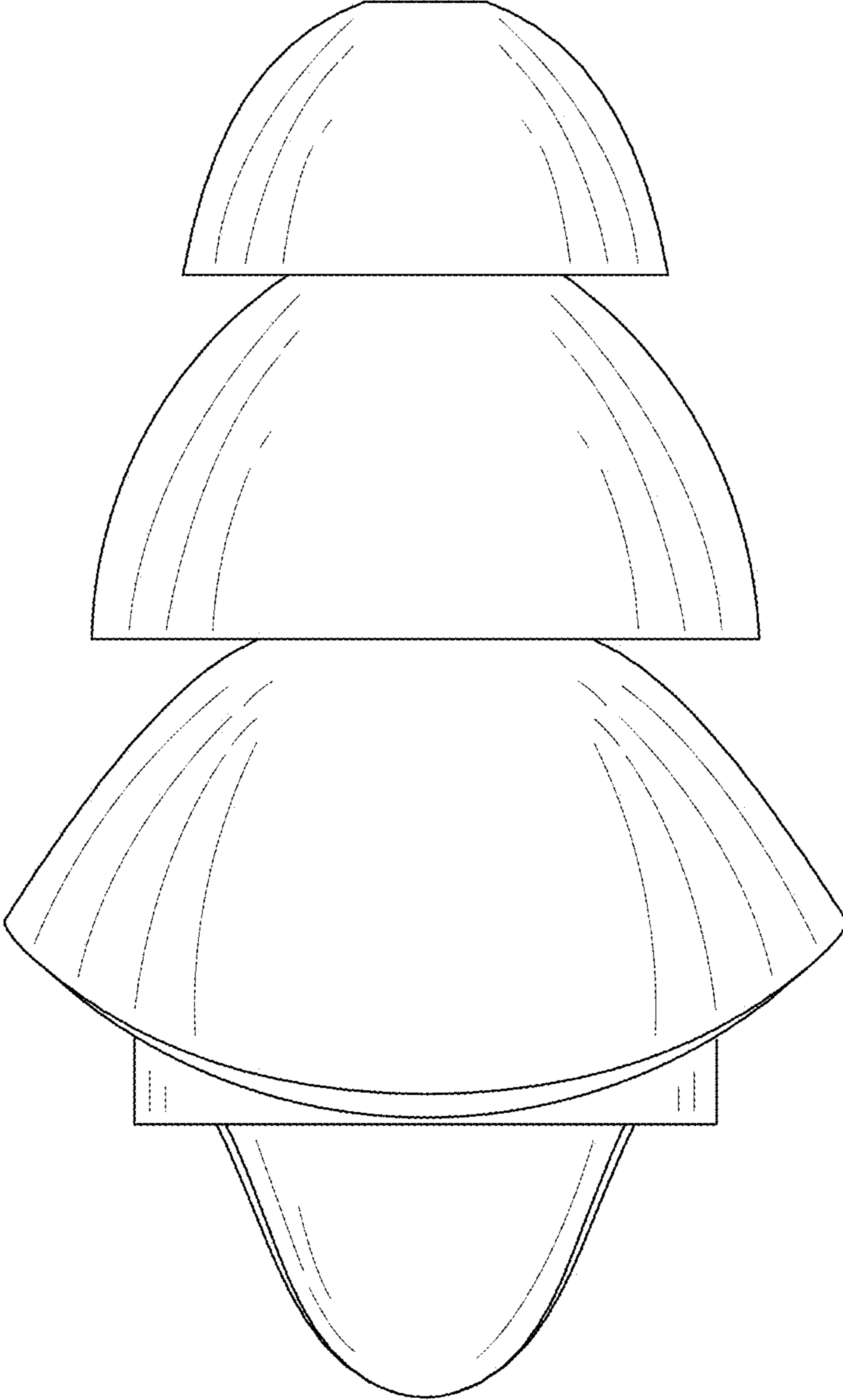


FIG. 4

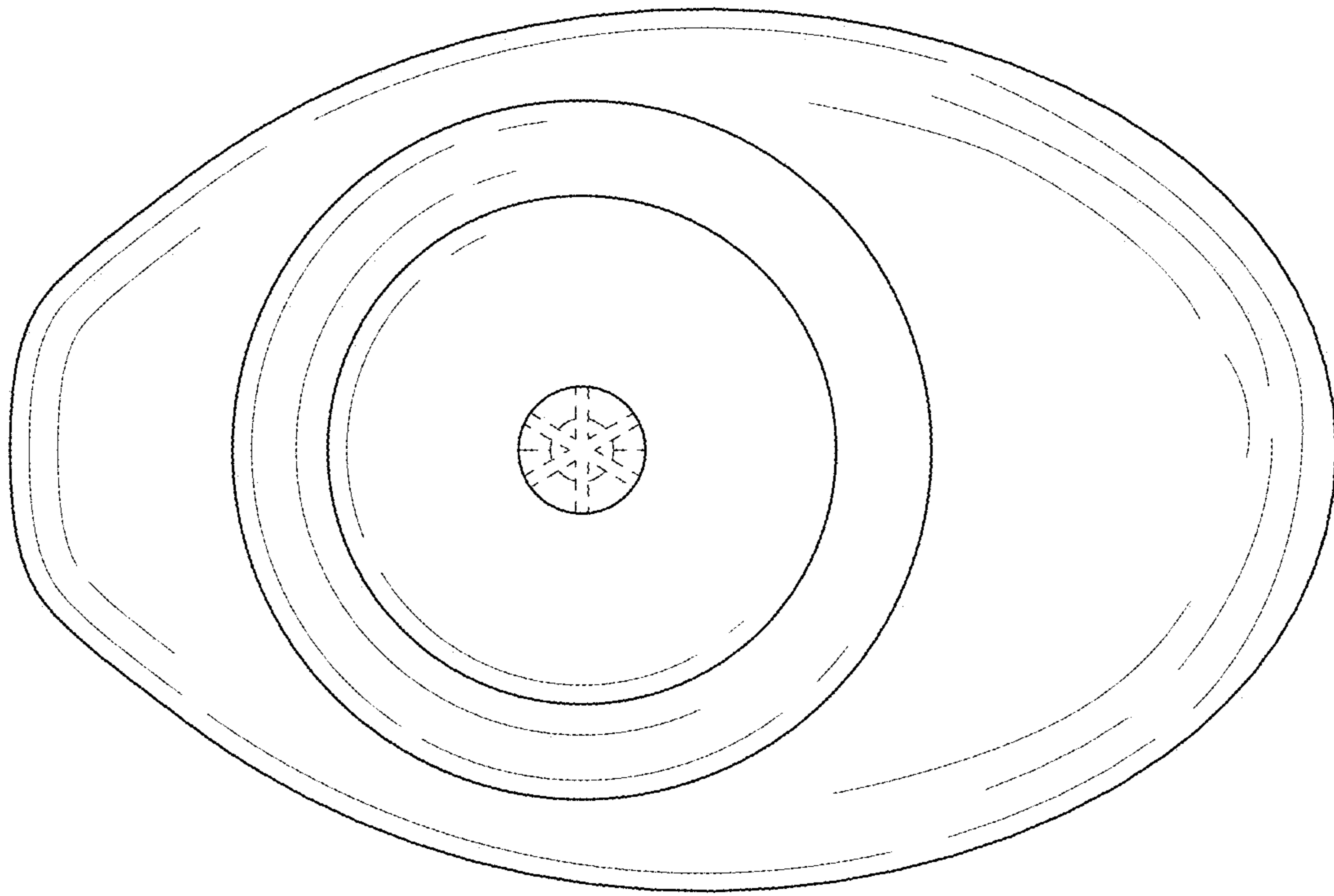


FIG. 5

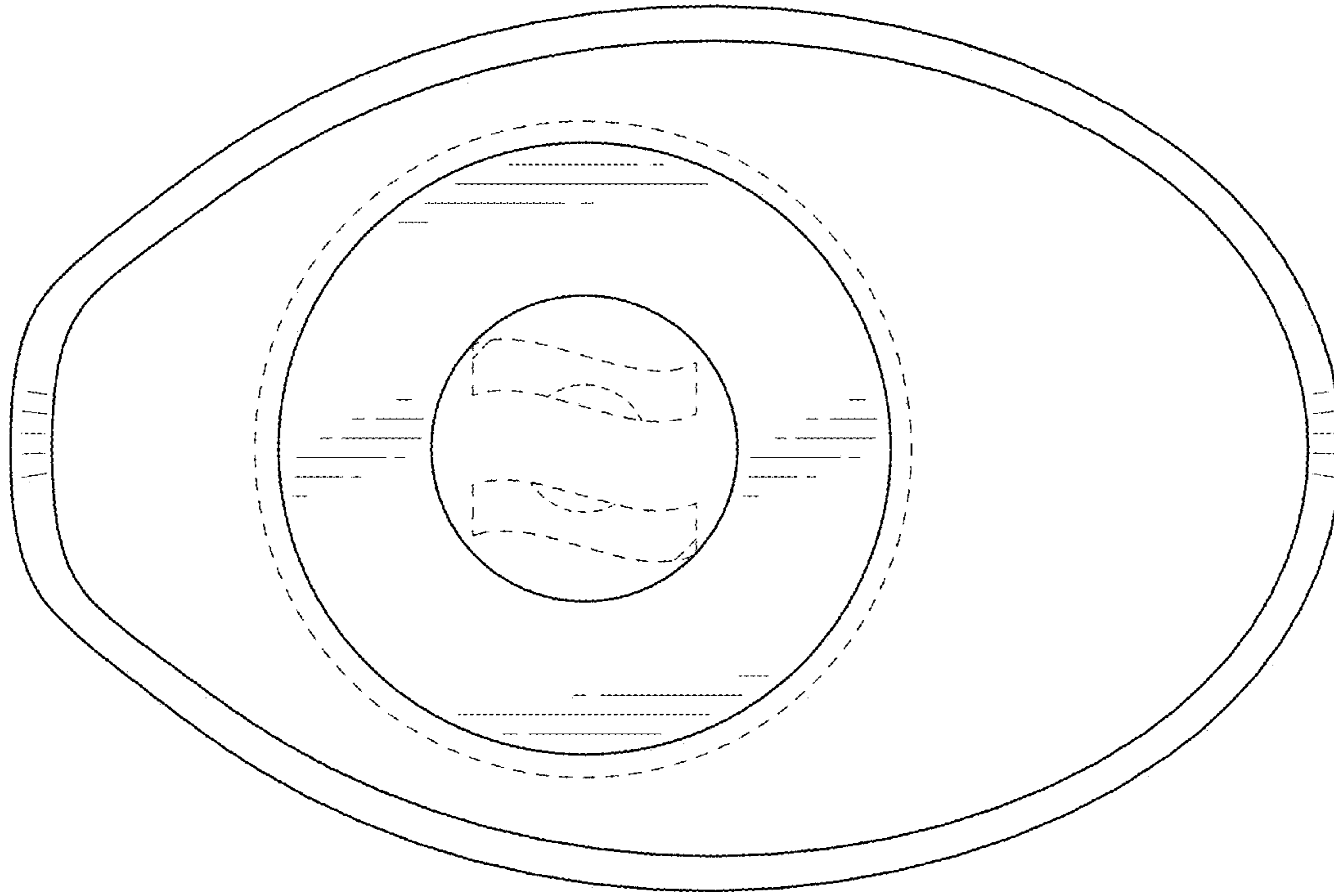


FIG. 6



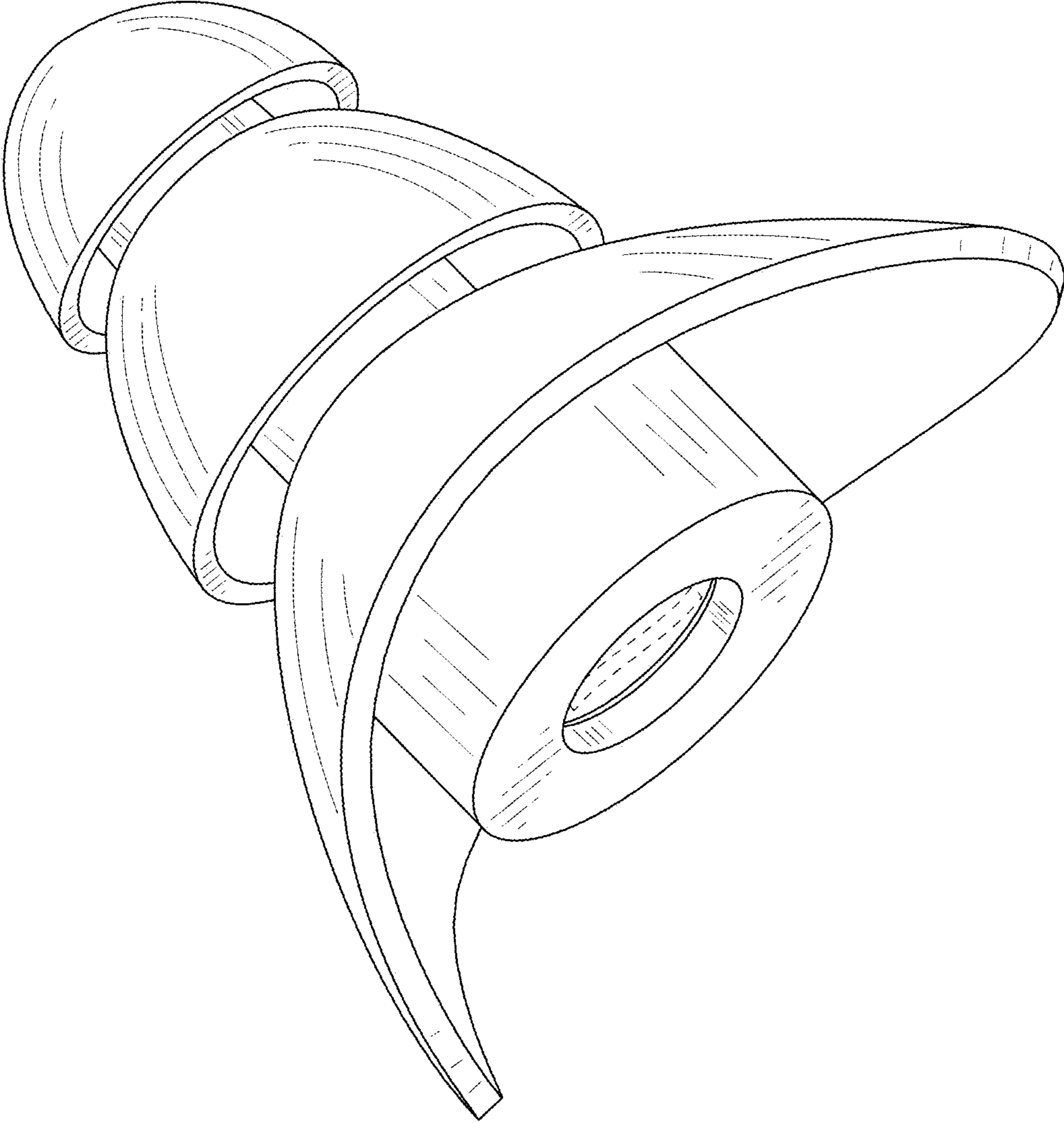


FIG. 7