



US00D887542S

(12) **United States Design Patent**
Youngblutt

(10) **Patent No.:** **US D887,542 S**
(45) **Date of Patent:** **** Jun. 16, 2020**

(54) **FAN**
(71) Applicant: **VIS, LLC**, Travelers Rest, SC (US)
(72) Inventor: **Sage Youngblutt**, Greenville, SC (US)
(73) Assignee: **VIS, LLC**, Travelers Rest, SC (US)
(**) Term: **15 Years**

D484,586 S * 12/2003 Intravatora D23/370
D605,280 S * 12/2009 Chen D23/382
D617,440 S 1/2010 Ching
D638,924 S * 5/2011 Perez D23/382
D674,888 S * 1/2013 Kawase D23/370
D686,309 S 7/2013 Kokawa et al.
D689,183 S * 9/2013 Chan D23/382
D815,722 S * 4/2018 Muller D23/370
D845,465 S * 4/2019 Cui D23/382

* cited by examiner

(21) Appl. No.: **29/680,676**
(22) Filed: **Feb. 19, 2019**
(51) **LOC (12) Cl.** **23-04**
(52) **U.S. Cl.**
USPC **D23/382; D23/383**
(58) **Field of Classification Search**
USPC D23/370, 377, 378, 381, 382, 383, 411,
D23/412, 413, 414; D26/59
CPC F04D 25/088; F04D 29/388; F04D 29/34;
F04D 25/08; F21V 33/0096
See application file for complete search history.

Primary Examiner — Janice Hallmark
(74) *Attorney, Agent, or Firm* — J. Bennett Mullinax,
LLC

(57) **CLAIM**

The ornamental design for a fan, as shown and described.

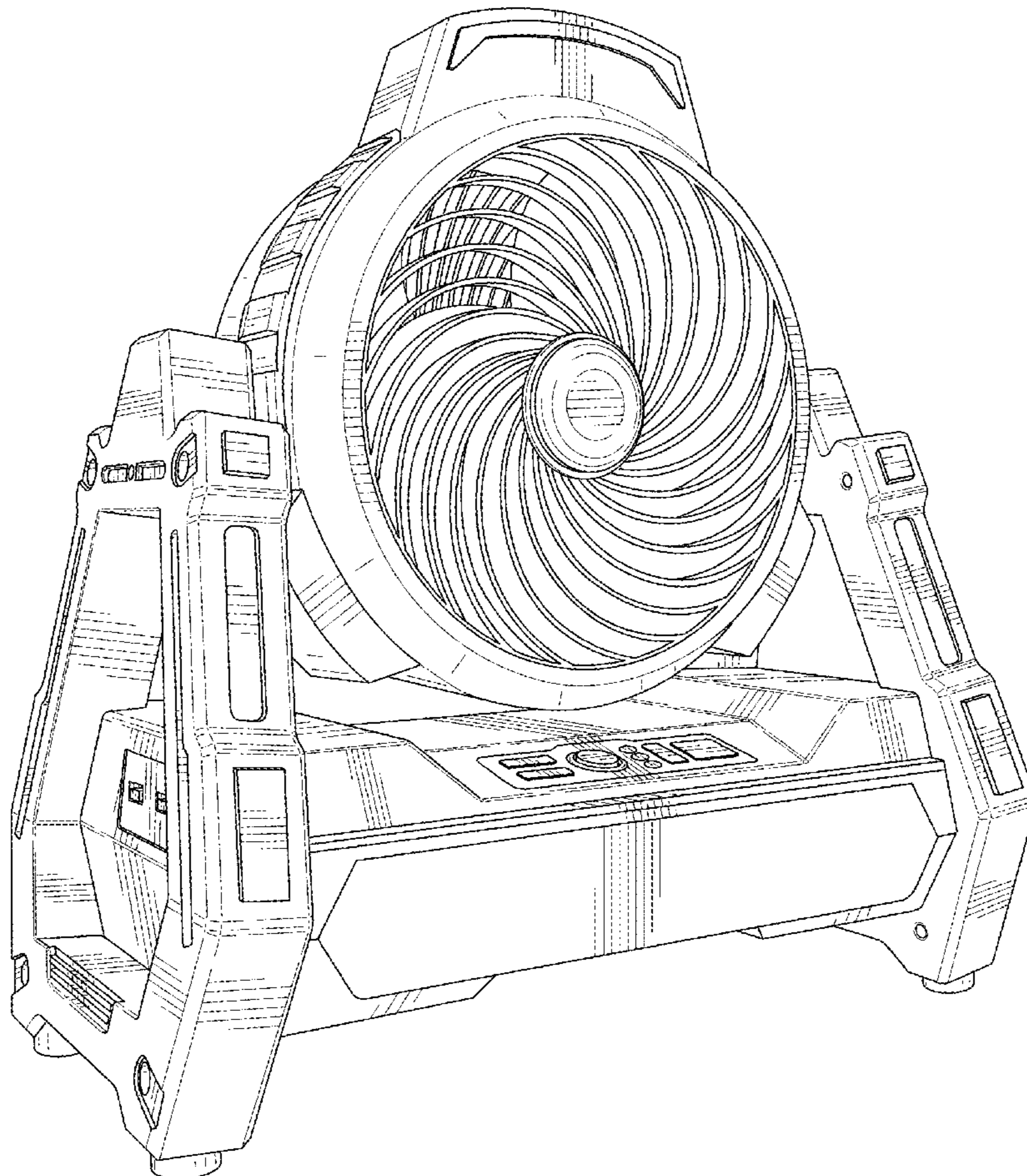
DESCRIPTION

FIG. 1 is a front perspective view of a fan showing my new design;
FIG. 2 is a front view thereof;
FIG. 3 is a rear view thereof;
FIG. 4 is a left side view thereof;
FIG. 5 is a right side view thereof;
FIG. 6 is a top view thereof; and,
FIG. 7 is a bottom view thereof.

(56) **References Cited**
U.S. PATENT DOCUMENTS

D314,619 S * 2/1991 Beavers D23/383
D397,192 S * 8/1998 Chiu D23/328

1 Claim, 7 Drawing Sheets



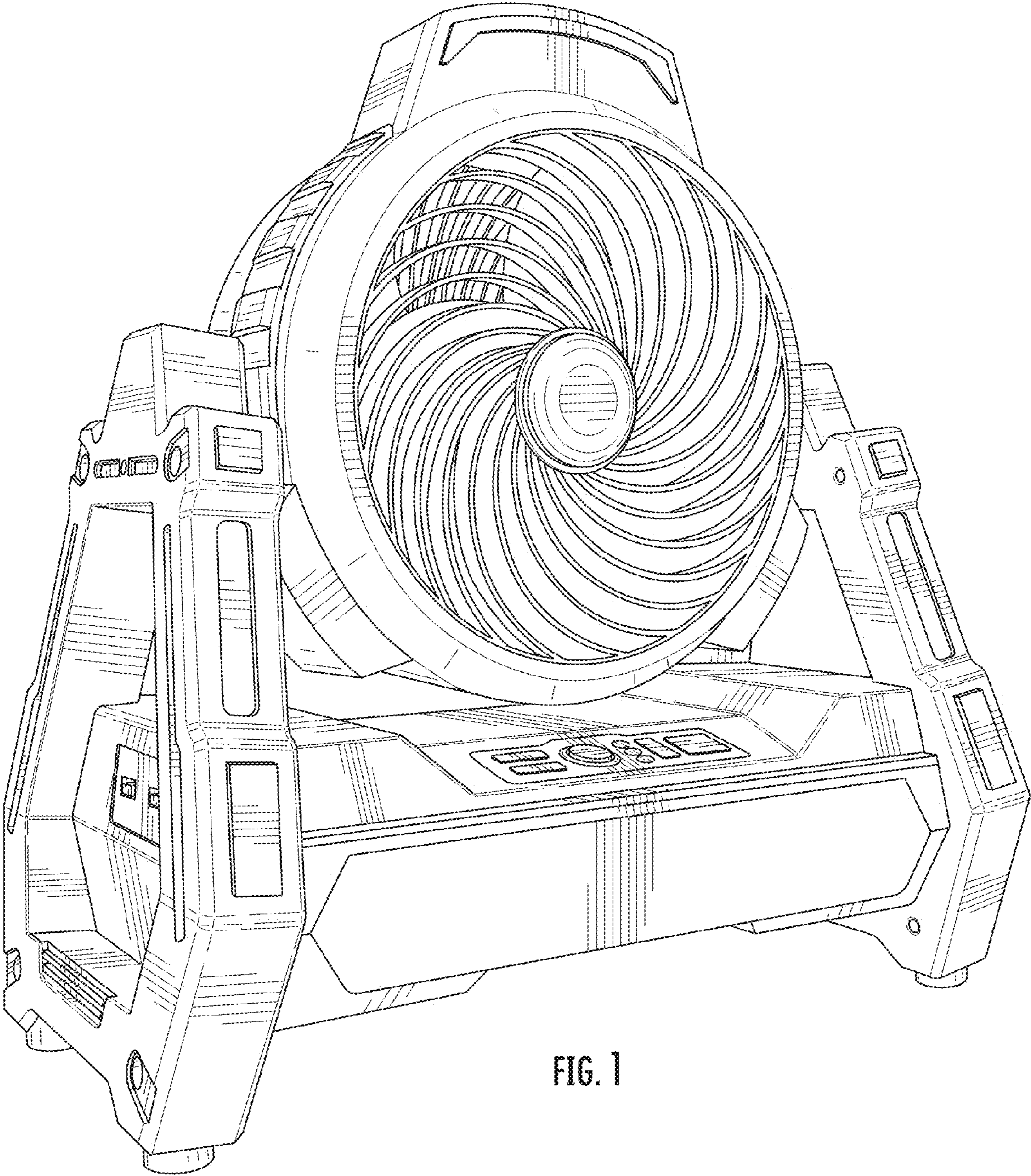


FIG. 1

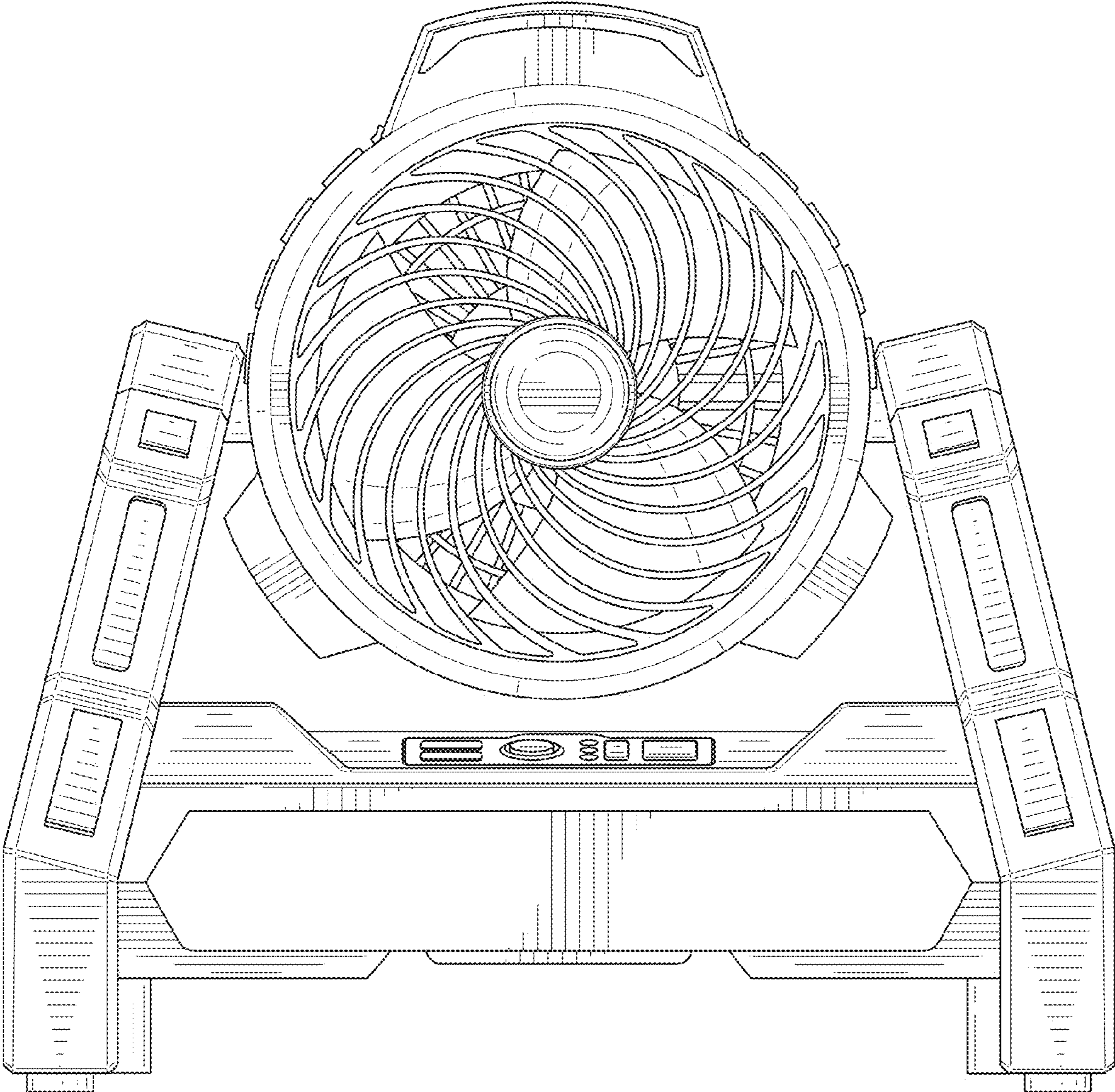


FIG. 2

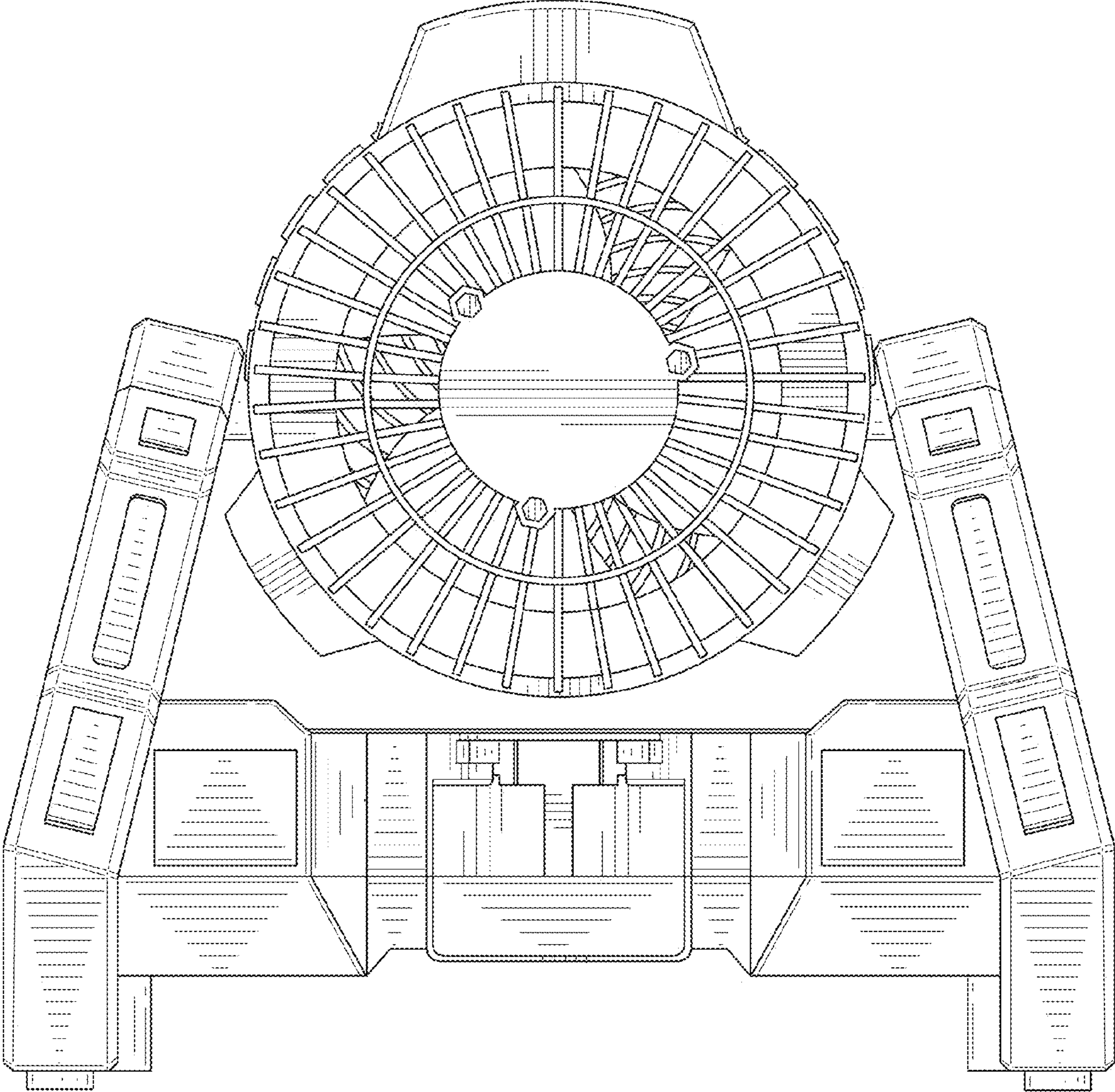


FIG. 3

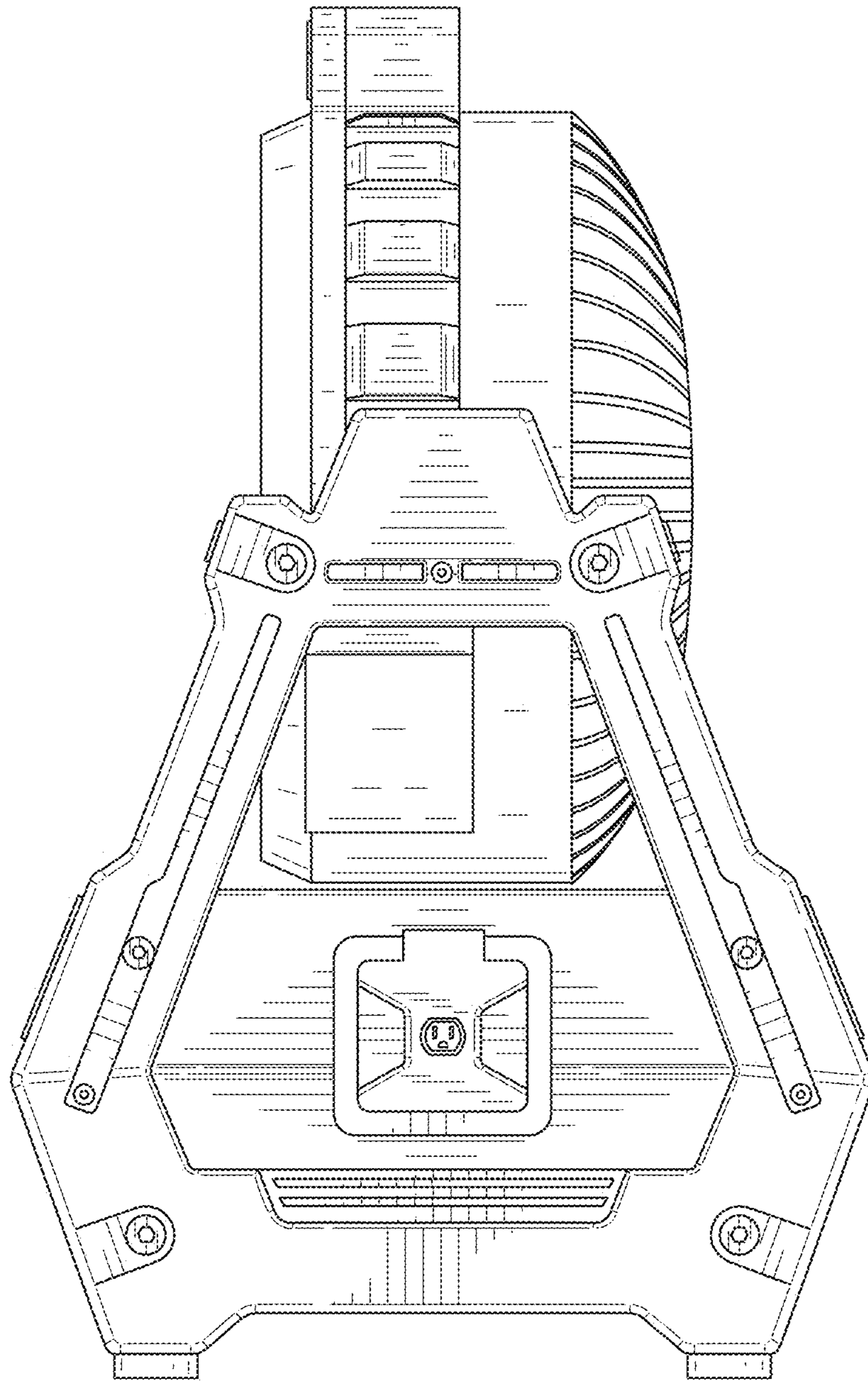


FIG. 4

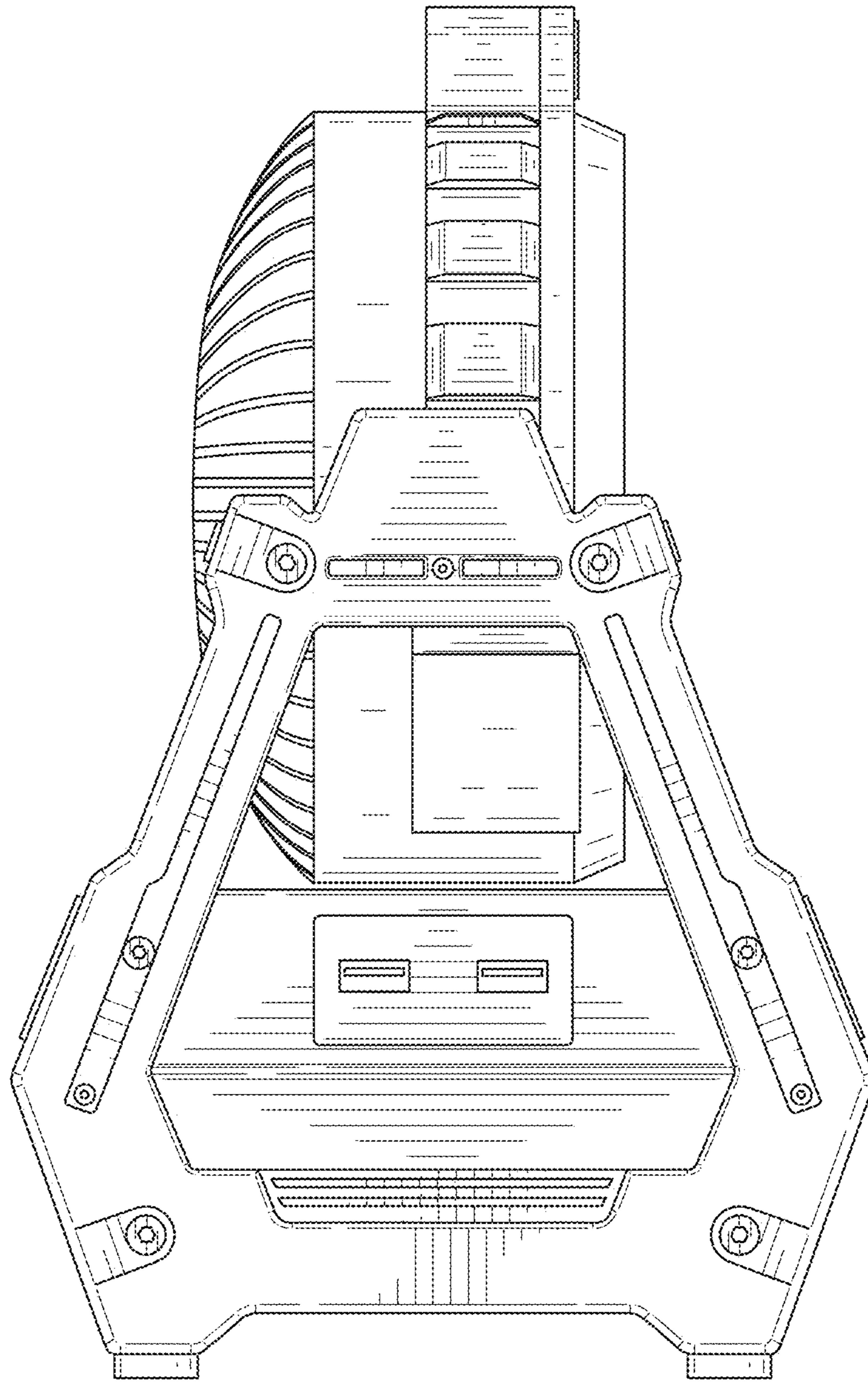


FIG. 5

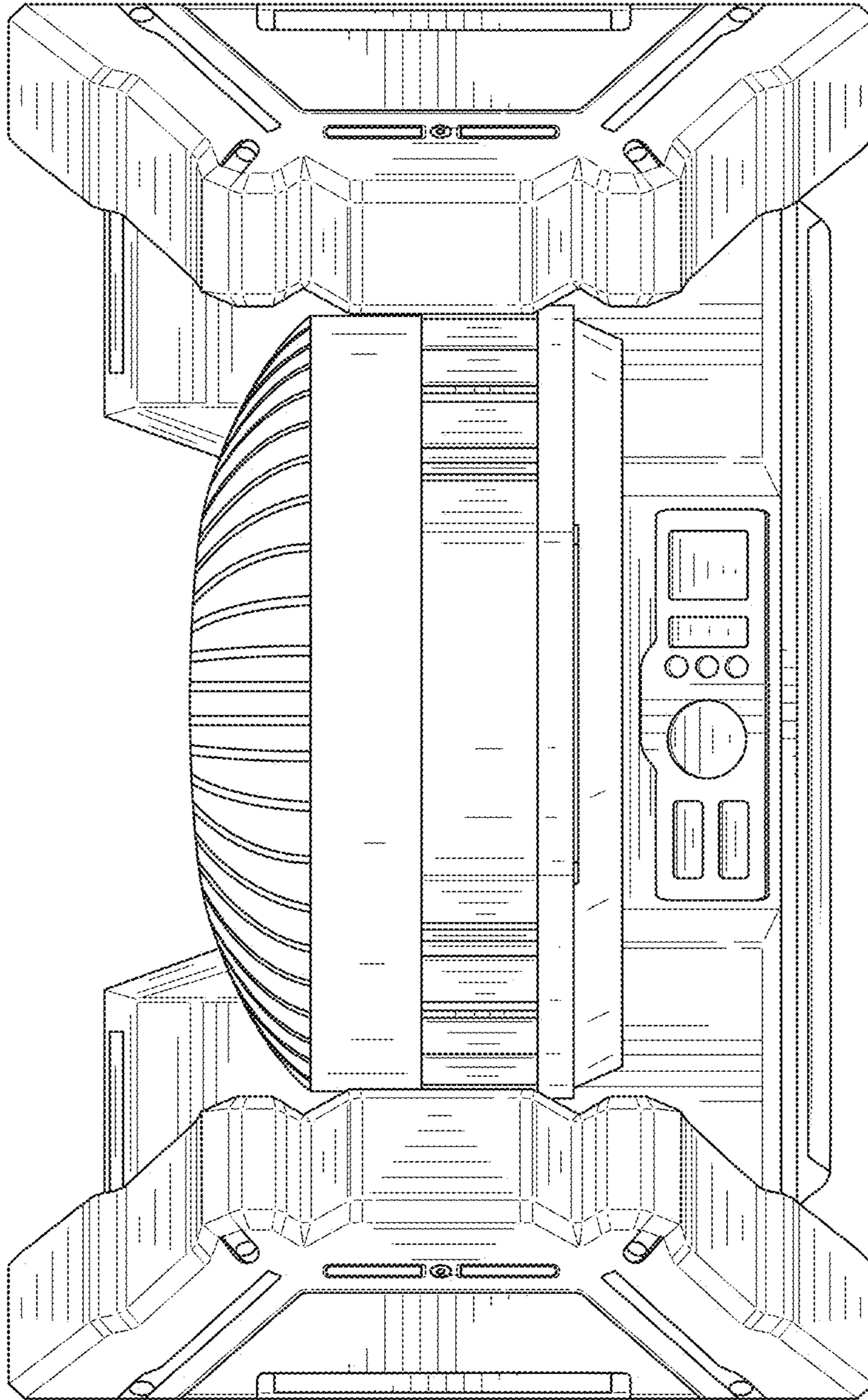


FIG. 6

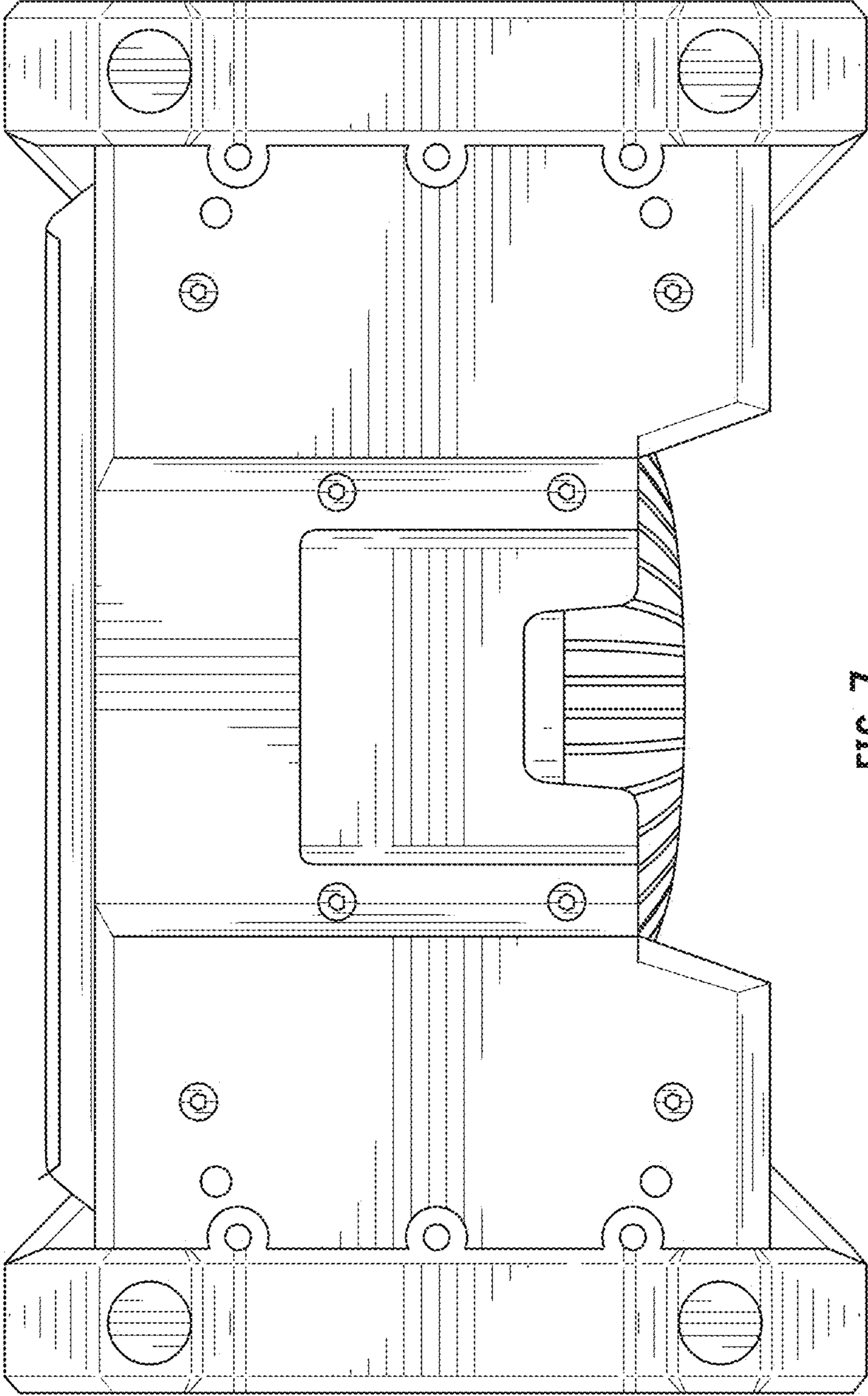


FIG. 7