



US00D887540S

(12) **United States Design Patent**
Bhardwaj et al.

(10) **Patent No.:** **US D887,540 S**
(45) **Date of Patent:** **** Jun. 16, 2020**

(54) **ELECTRONIC VAPORIZER DEVICE**
(71) Applicant: **Loto Labs, Inc.**, Belmont, CA (US)
(72) Inventors: **Neeraj Bhardwaj**, Belmont, CA (US);
Matthew Greenfield, Scotts Valley, CA (US);
Peter Nysen, San Jose, CA (US);
Grant Bell, Santa Clara, CA (US);
Anderson Martinez, Miami, FL (US);
Brandon Harsell, Black Creek, CA (US);
Abelardo Duran, San Jose, CA (US)

D613,390 S * 4/2010 Jorgensen D23/366
D651,703 S * 1/2012 Ritzenhoff D23/366
D651,704 S * 1/2012 Ritzenhoff D23/366
D681,791 S * 5/2013 Jorgensen D23/366
D700,692 S * 3/2014 Engelhardt D23/366
8,758,680 B2 * 6/2014 Hishida A61L 9/122
422/5
D849,218 S * 5/2019 Liang D23/356
D850,596 S * 6/2019 Wu D23/366
D854,134 S * 7/2019 Jessup D23/364
D856,501 S * 8/2019 Netkin D23/366
D872,846 S * 1/2020 Jessup D23/364

* cited by examiner

(73) Assignee: **Loto Labs, Inc.**, Belmont, CA (US)

Primary Examiner — David G Muller

(**) Term: **15 Years**

(74) *Attorney, Agent, or Firm* — The Webb Law Firm

(21) Appl. No.: **29/676,316**

(22) Filed: **Jan. 10, 2019**

(57) **CLAIM**

(51) **LOC (12) Cl.** **23-04**

The ornamental design for an electronic vaporizer device, as shown and described.

(52) **U.S. Cl.**

USPC **D23/360**

(58) **Field of Classification Search**

USPC D23/355–366, 352, 369, 332, 333, 335,
D23/336, 342, 351; 422/120, 122;
55/356, 473, 504; 96/97; 261/DIG. 17,
261/DIG. 65, DIG. 88, DIG. 31
CPC .. A61L 9/16; A61L 9/22; B01D 47/00; B01D
47/027; B01D 2221/02; B01D 2259/4508;
B03C 3/155; B03C 3/368; F24F 3/16;
F24F 13/20; F24F 13/28; F24F
2001/0096

See application file for complete search history.

DESCRIPTION

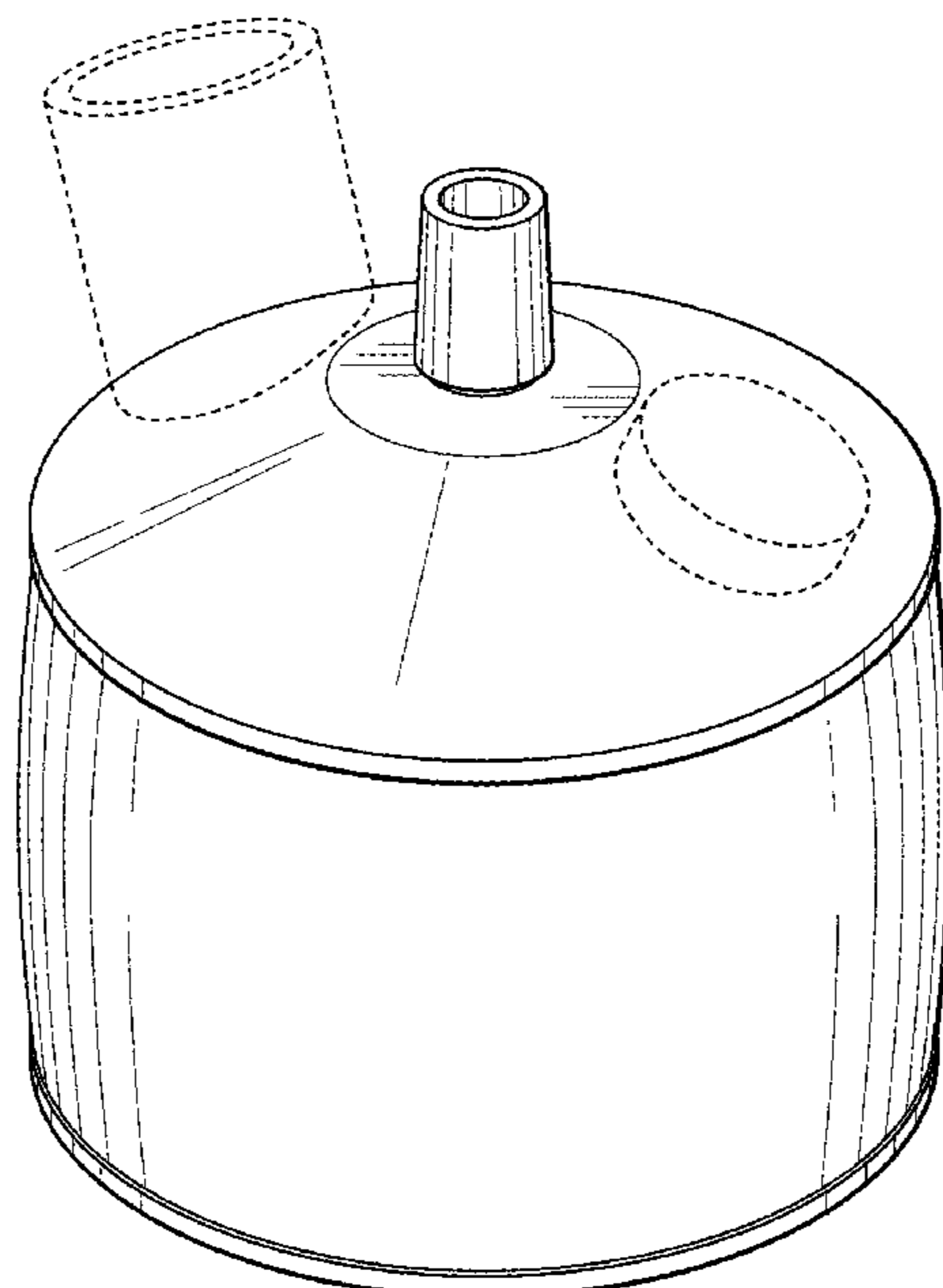
FIG. 1 is a perspective view of the electronic vaporizer device according to our new design;
FIG. 2 is a first side elevation view thereof;
FIG. 3 is a second side elevation view thereof;
FIG. 4 is a third side elevation view thereof;
FIG. 5 is a fourth side elevation view thereof;
FIG. 6 is a top plan view thereof; and,
FIG. 7 is a bottom plan view thereof.
The broken lines in FIGS. 1-7 show portions of an electronic vaporizer device which form no part of the claimed design.

(56) **References Cited**

U.S. PATENT DOCUMENTS

D553,231 S * 10/2007 Li D23/366
D613,389 S * 4/2010 Jorgensen D23/366

1 Claim, 6 Drawing Sheets



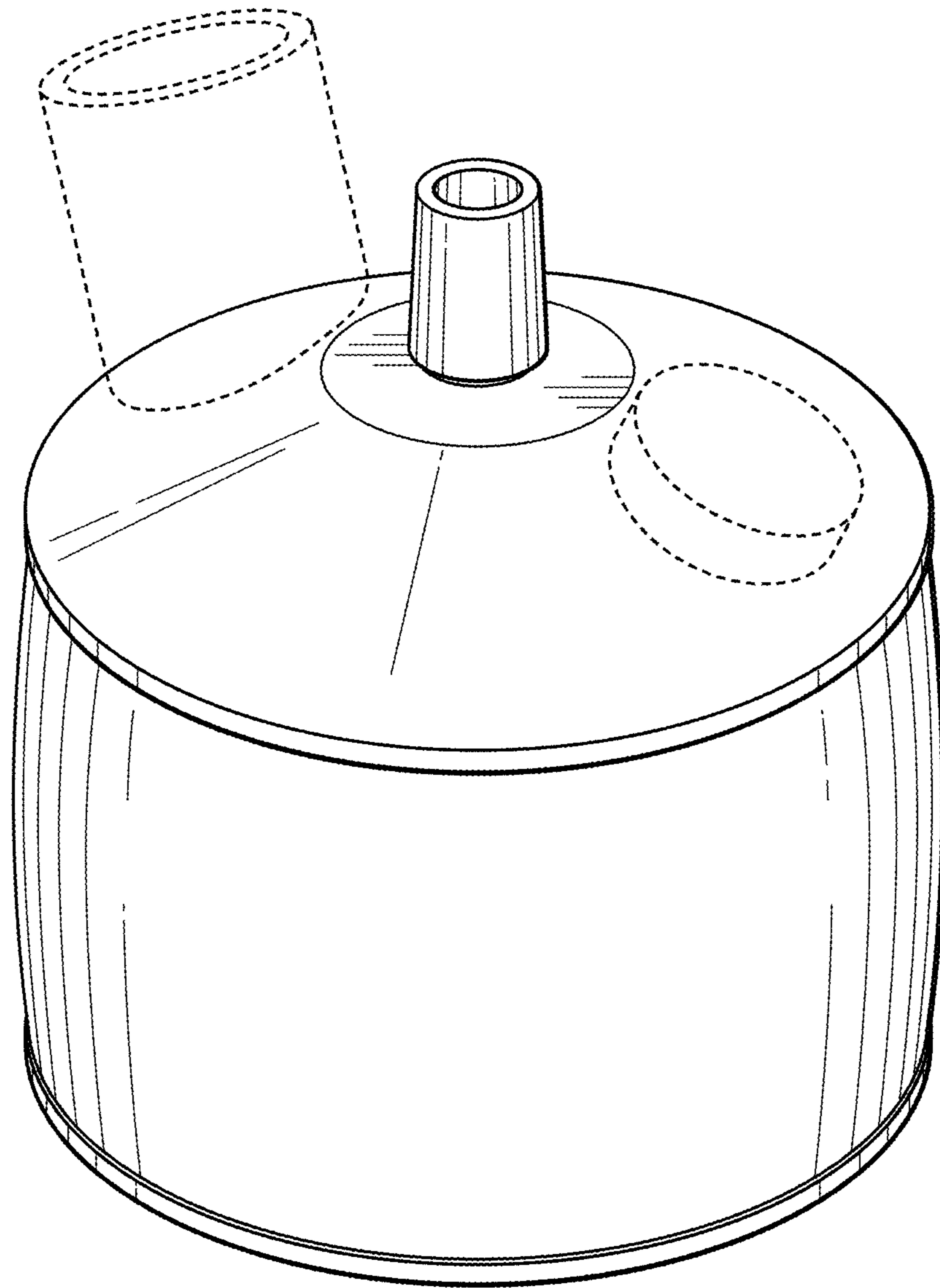


FIG. 1

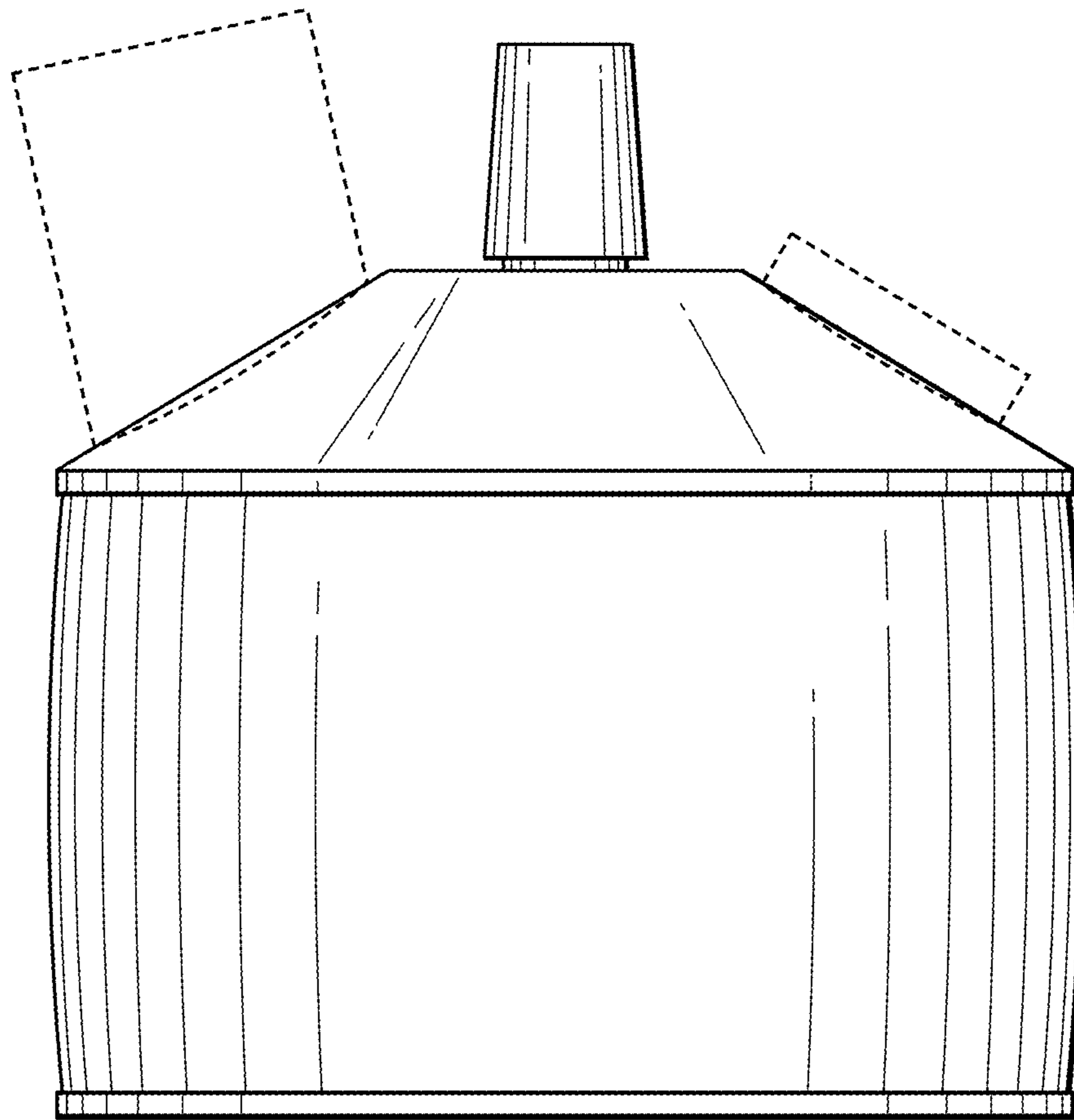


FIG. 2

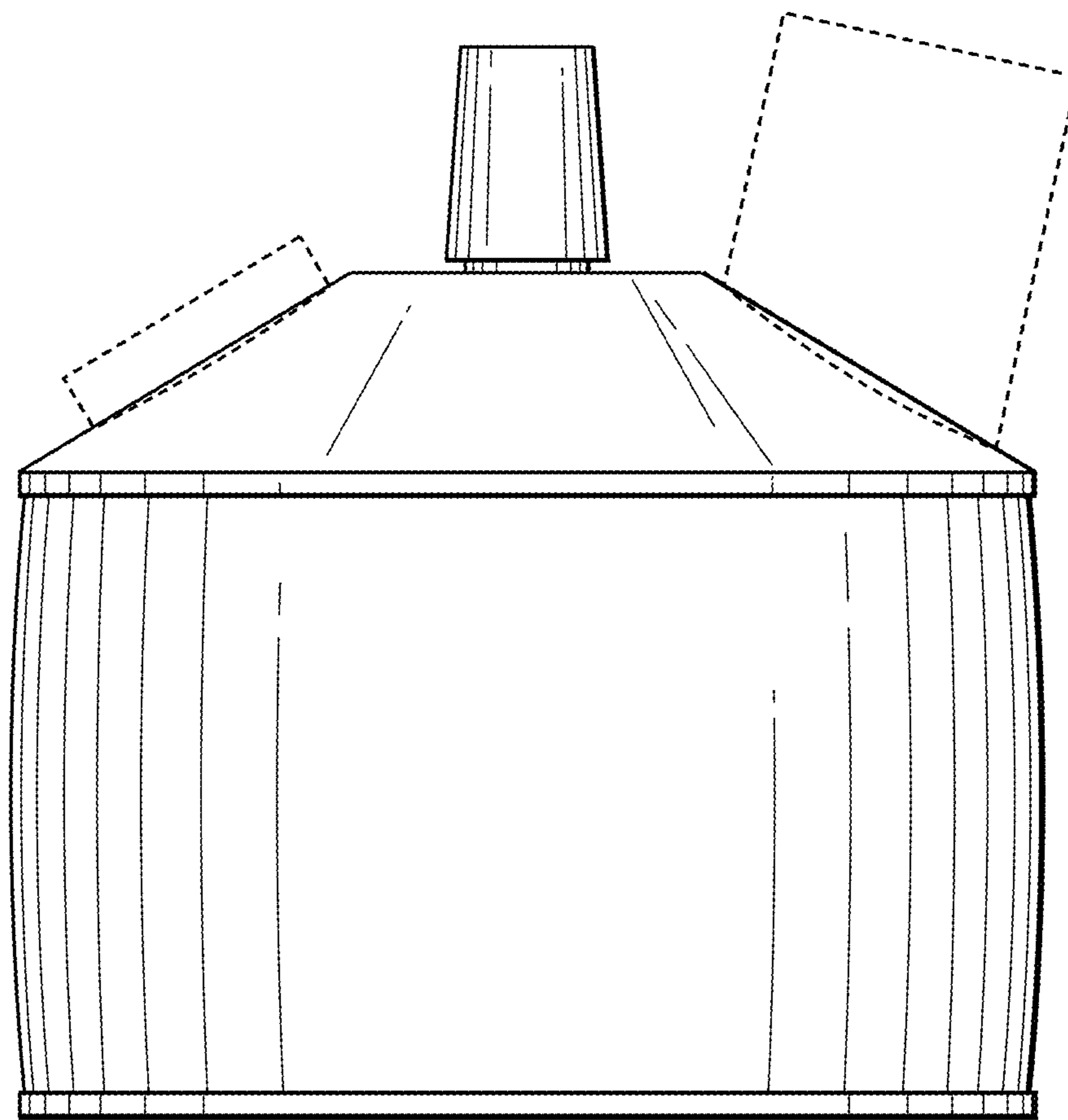


FIG. 3

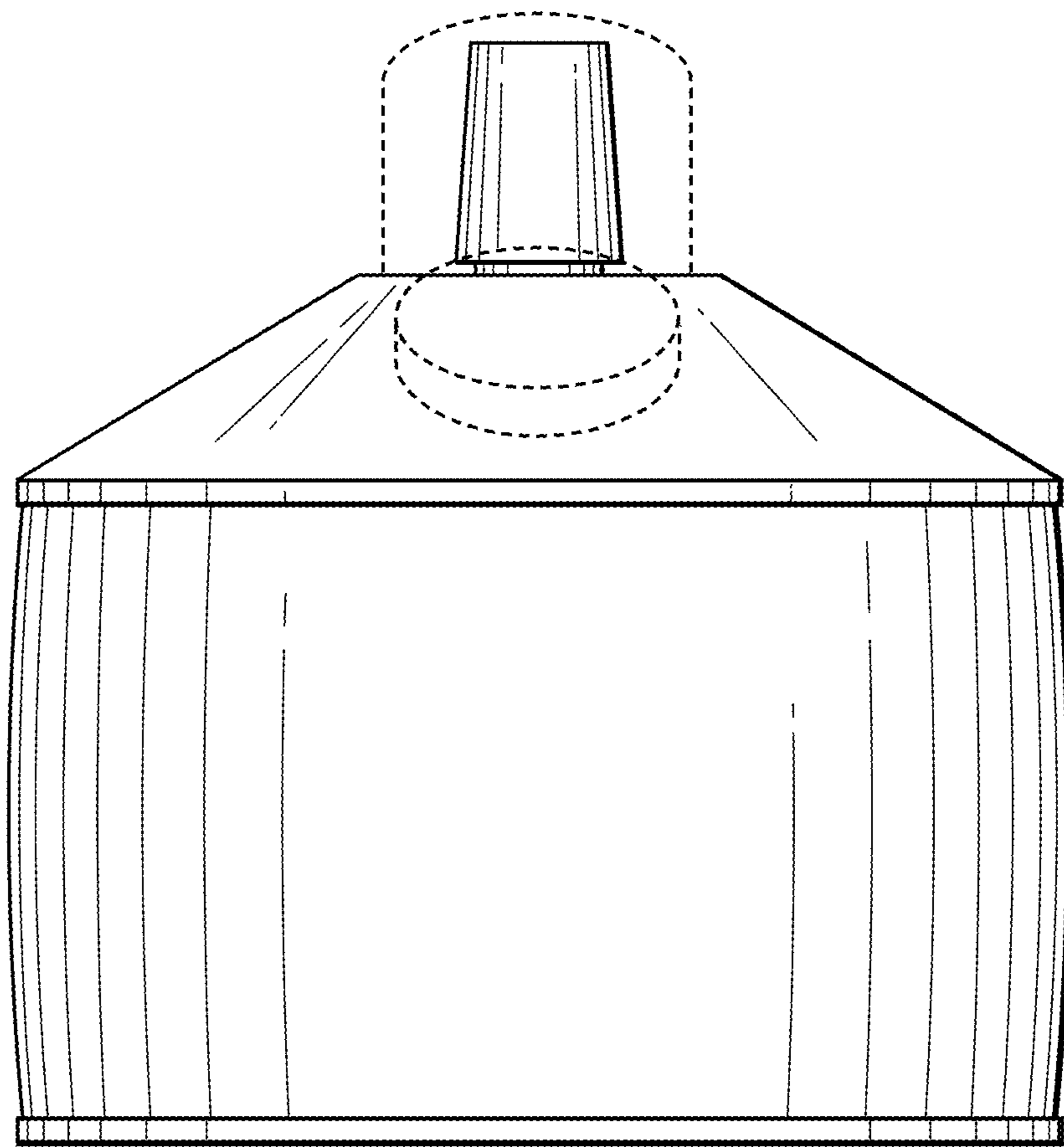


FIG. 4

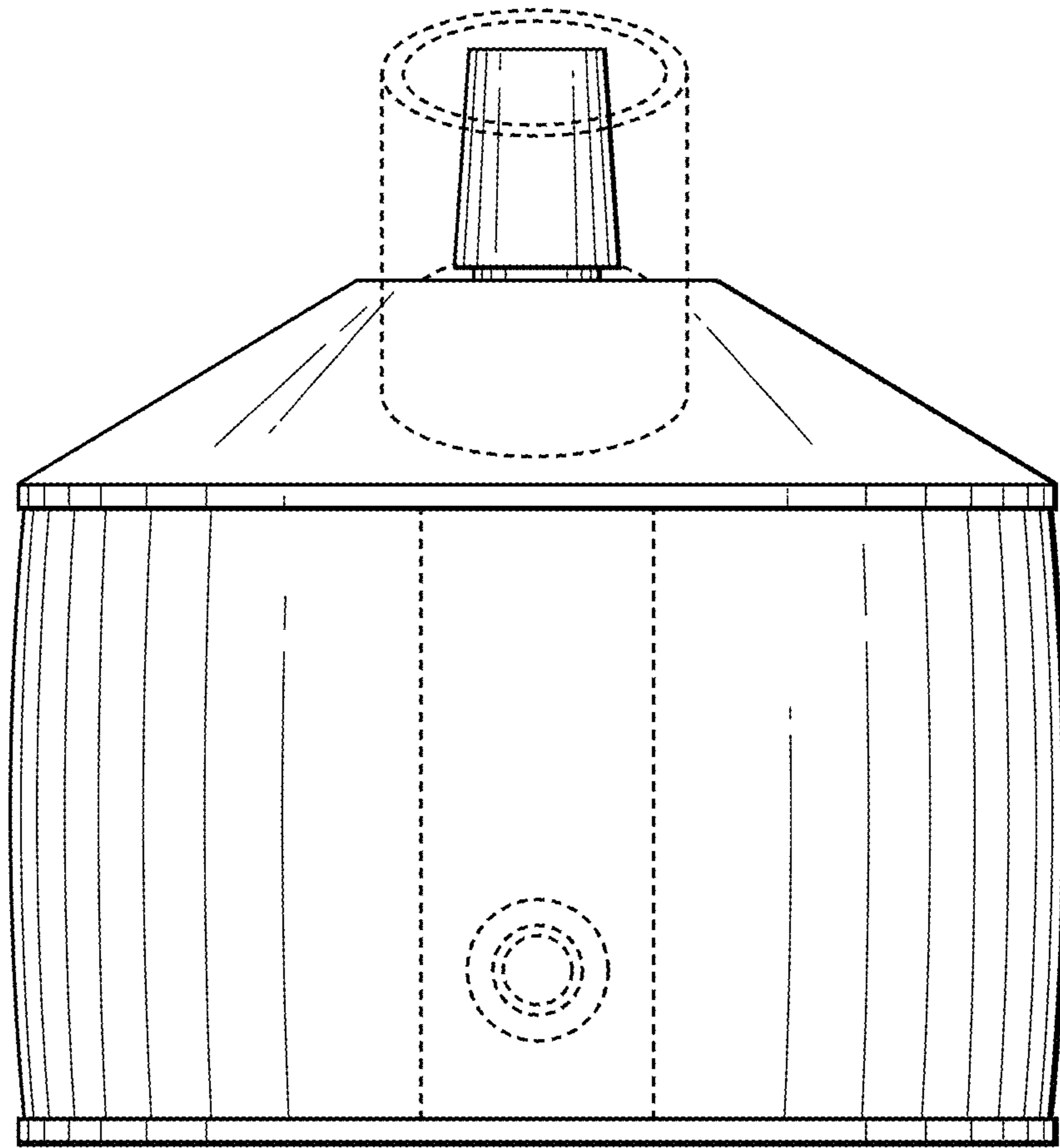


FIG. 5

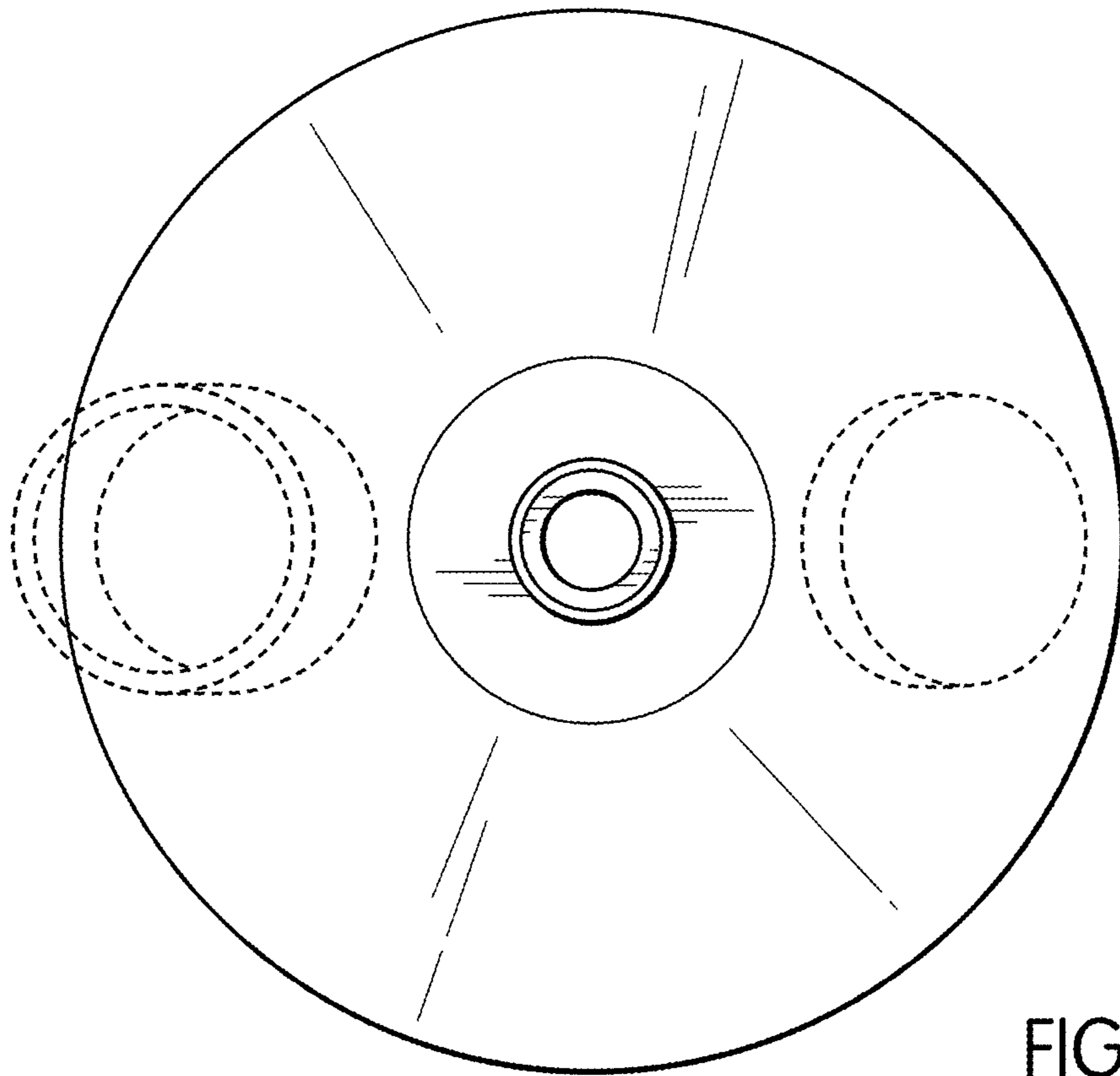


FIG. 6

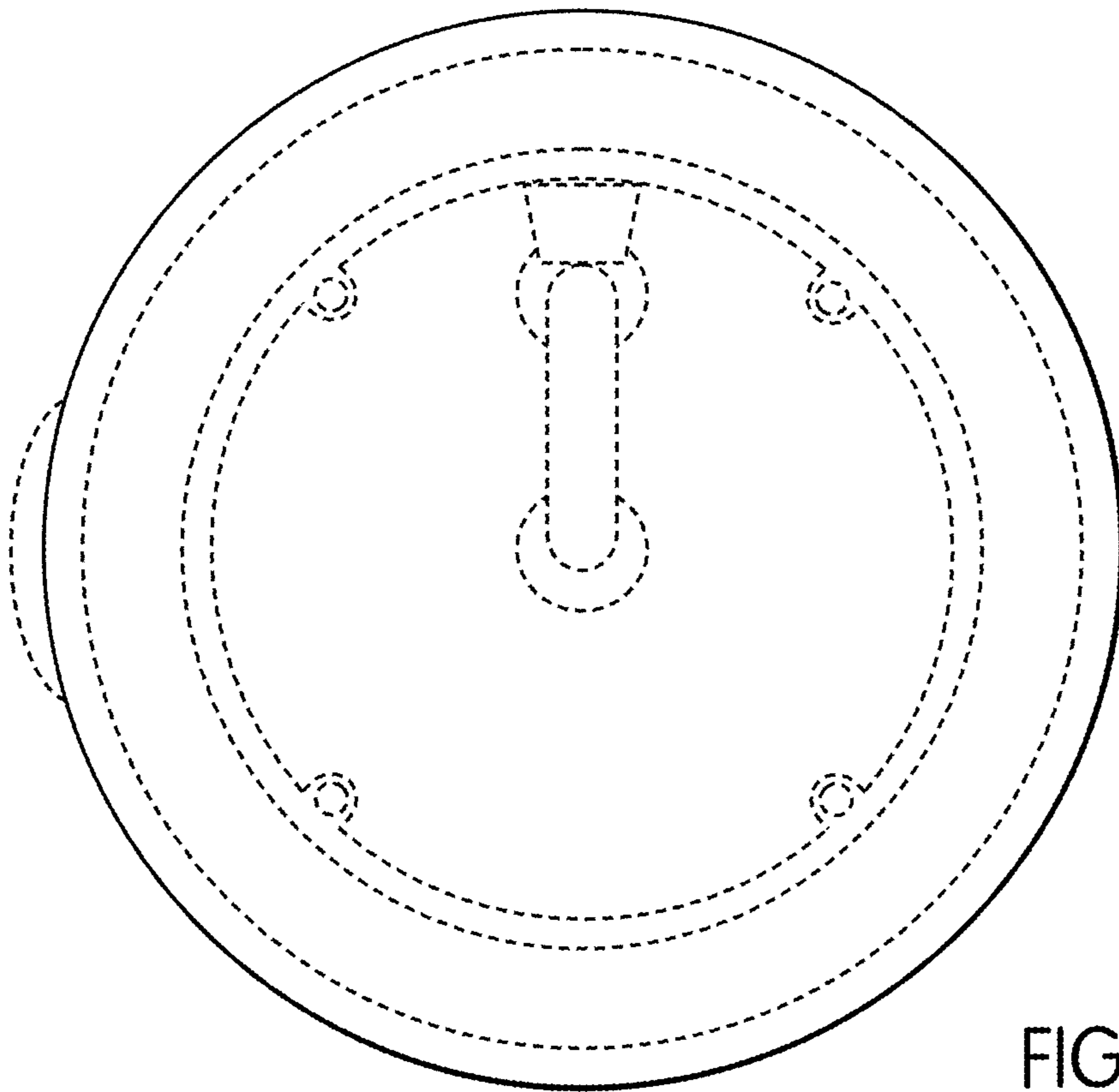


FIG. 7