



US00D887537S

(12) **United States Design Patent**
Daniels et al.

(10) **Patent No.:** **US D887,537 S**
(45) **Date of Patent:** **** Jun. 16, 2020**

(54) **WATER HEATER**
(71) Applicant: **Aerco International, Inc.**, Blauvelt,
NY (US)
(72) Inventors: **Mark Daniels**, Valley Cottage, NY
(US); **Adrian Voicu**, Bloomfield, NJ
(US)
(73) Assignee: **Aerco International, Inc.**, Blauvelt,
NY (US)
(**) Term: **15 Years**

2014/0209281 A1* 7/2014 Kamps F28D 7/00
165/104.14
2014/0216437 A1* 8/2014 Martian F24H 1/06
126/271.2 R
2014/0290952 A1* 10/2014 Lamb B08B 9/027
166/302
2017/0172831 A1* 6/2017 Sang A61G 9/02

* cited by examiner

Primary Examiner — Ania Aman

(74) *Attorney, Agent, or Firm* — Harris Beach PLLC

(21) Appl. No.: **29/672,670**
(22) Filed: **Dec. 7, 2018**
(51) **LOC (12) Cl.** **23-03**
(52) **U.S. Cl.**
USPC **D23/318**
(58) **Field of Classification Search**
USPC D23/318, 319, 320, 321, 322, 314, 317,
D23/329, 330, 342
CPC F24H 9/06; F24H 9/2035; F24H 1/125;
F24H 1/145; F24H 1/186; F24H 9/124;
F24H 9/2078; F24H 9/2007; F24H 1/08;
F24H 1/10; F24H 1/12; F24H 1/18; F24H
1/22; F24H 1/50; F24H 1/182
See application file for complete search history.

(57) **CLAIM**

The ornamental design for a water heater, as shown and described.

DESCRIPTION

FIG. 1 is an isometric view of the water heater of our invention;
FIG. 2 is a front view of the invention;
FIG. 3 is a right side view the invention;
FIG. 4 is a left side view of the invention;
FIG. 5 is a rear view of the invention; and,
FIG. 6 is a top view of the invention.

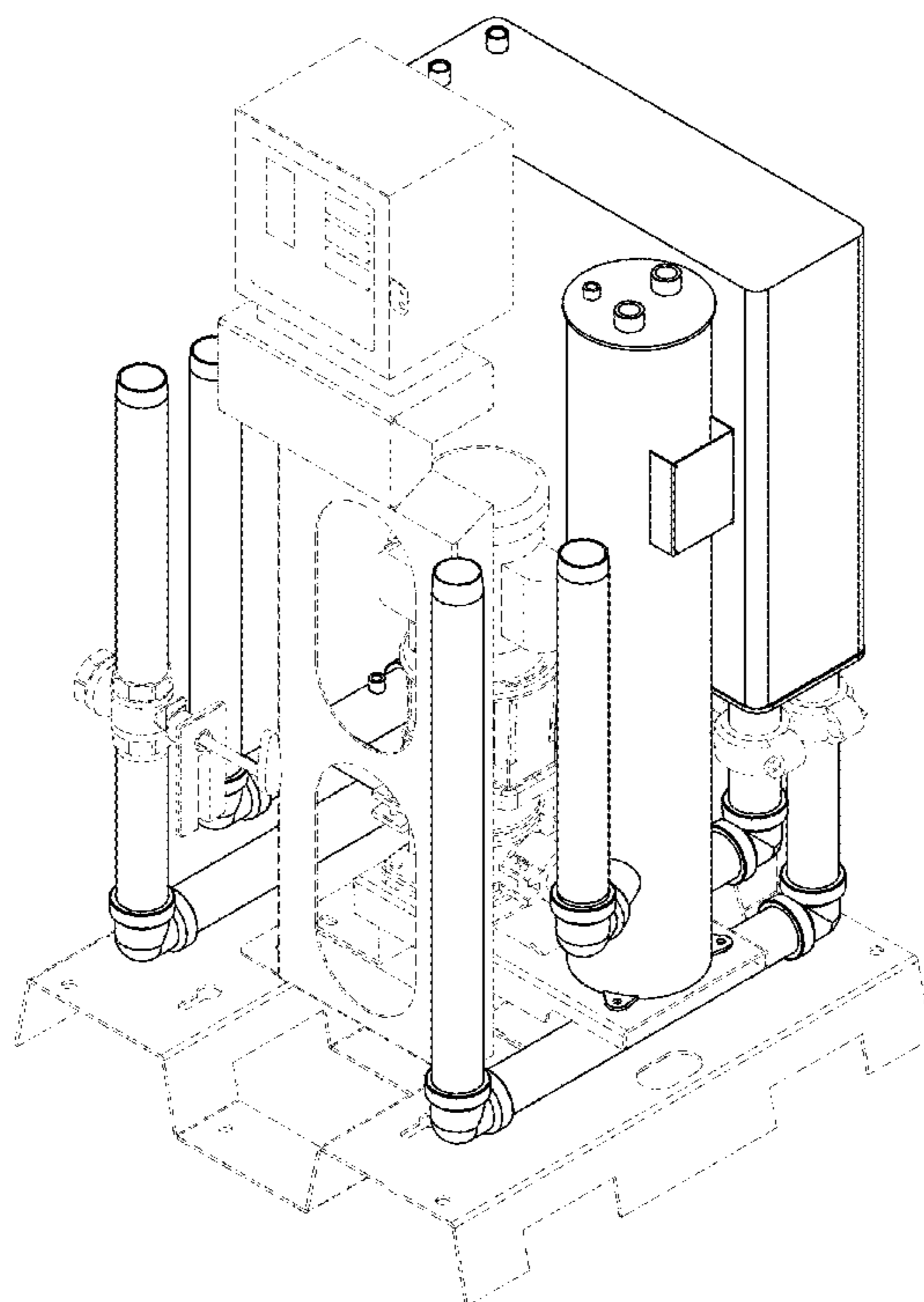
In the drawings, the broken lines depict environmental subject matter only and form no part of the claimed design.

(56) **References Cited**

U.S. PATENT DOCUMENTS

2005/0161086 A1* 7/2005 Kubik F24D 17/00
137/334
2012/0279929 A1* 11/2012 Daniels F24D 17/0031
210/760

1 Claim, 6 Drawing Sheets



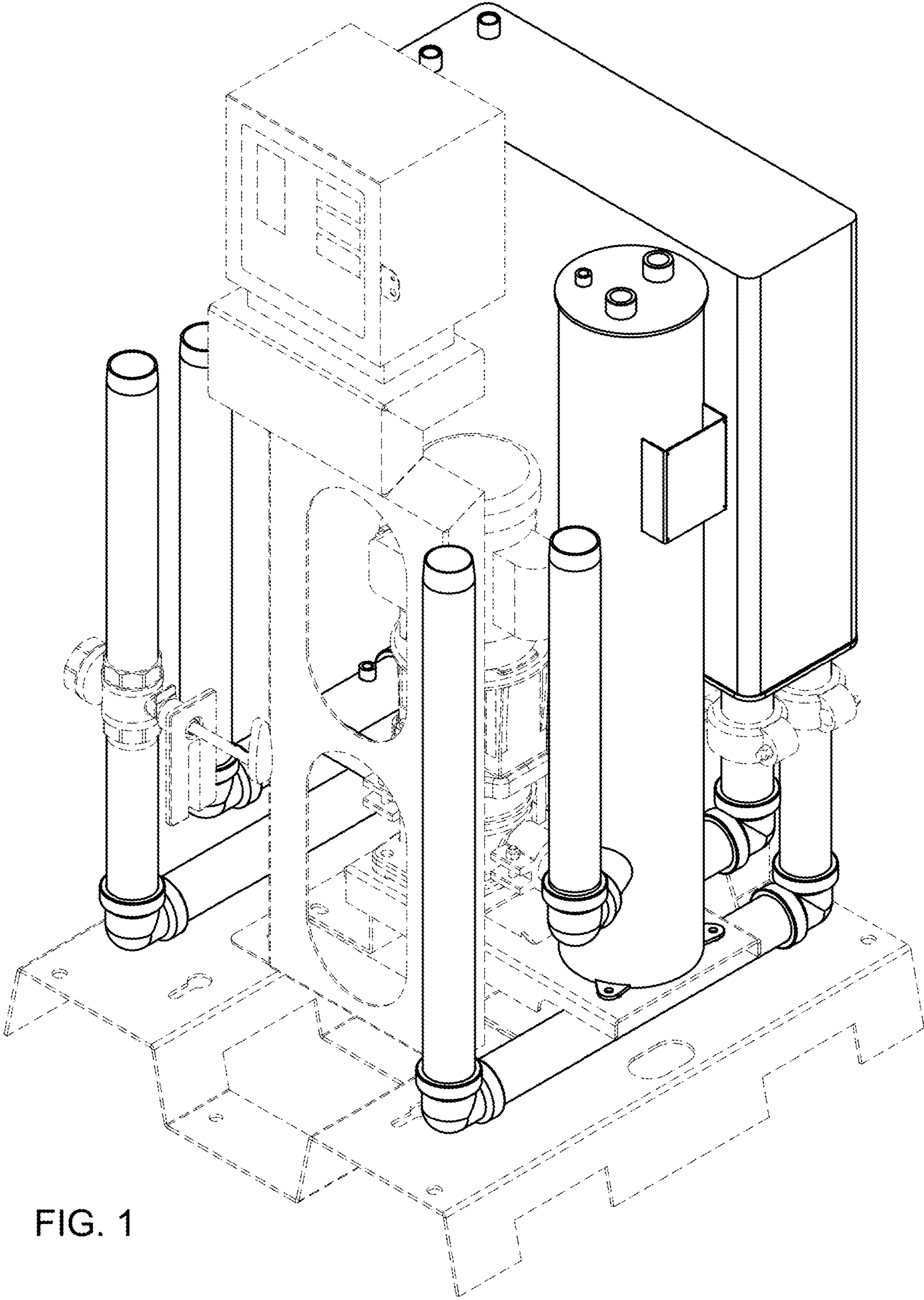


FIG. 1

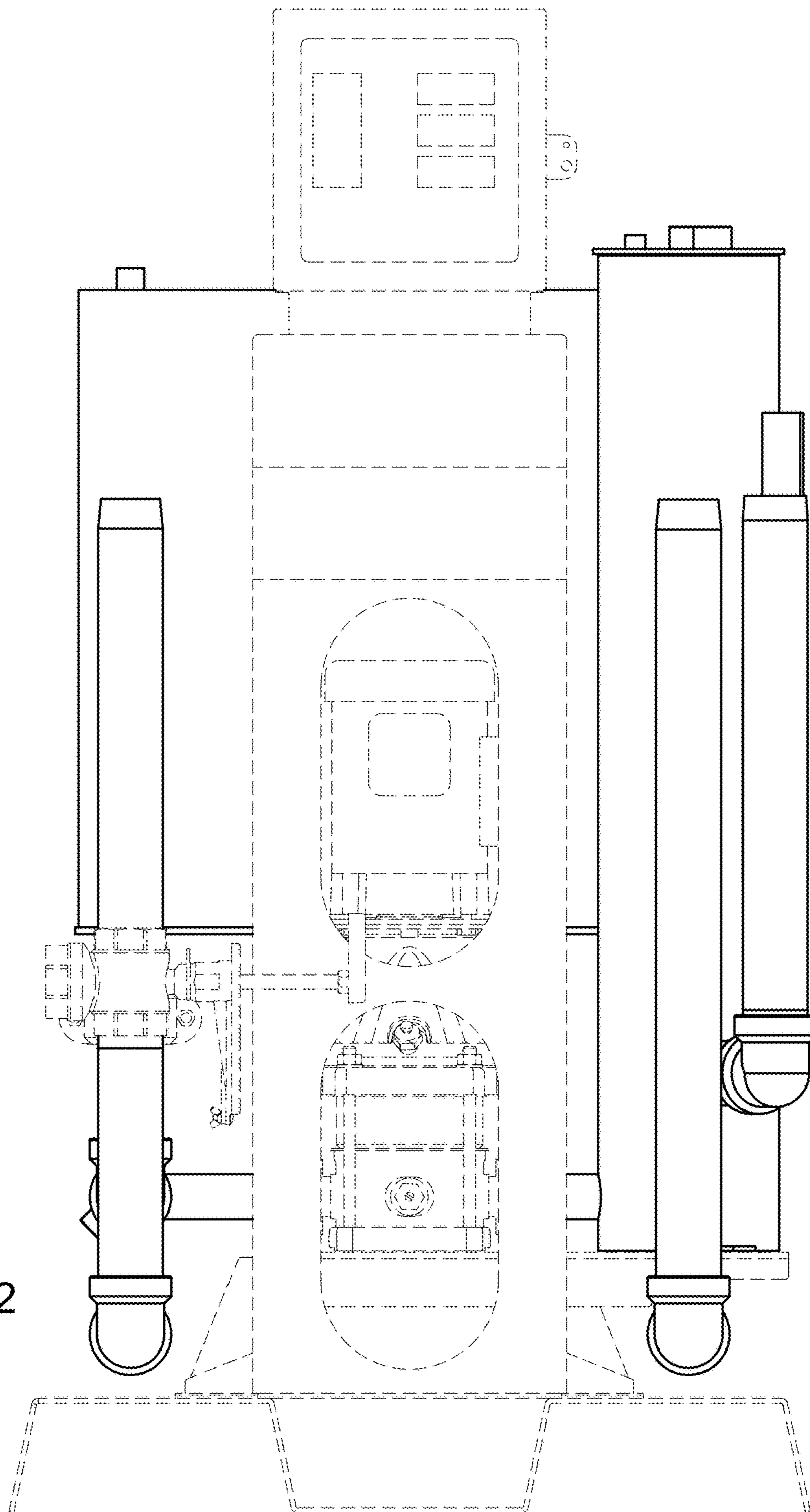


FIG. 2

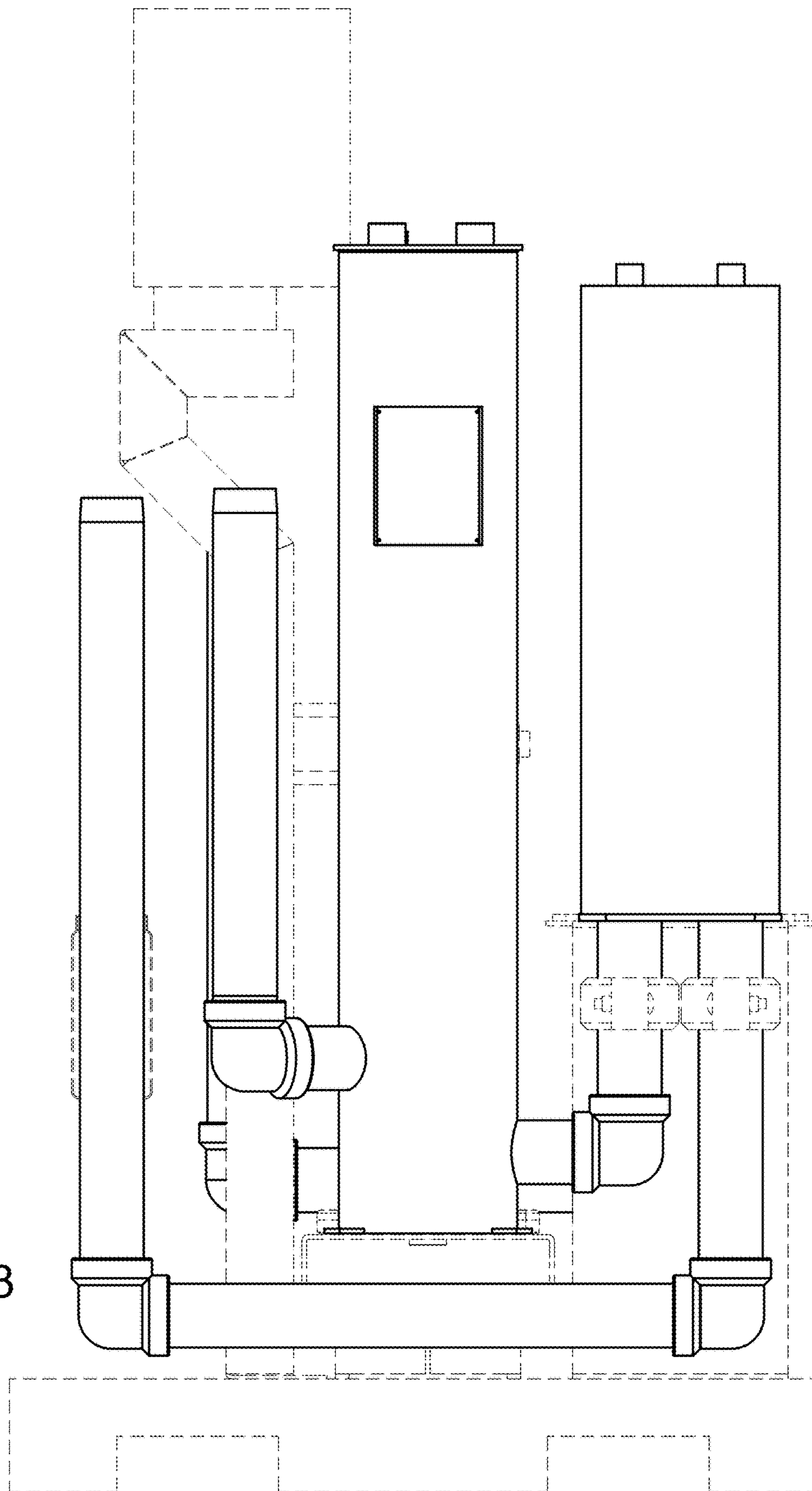


FIG. 3

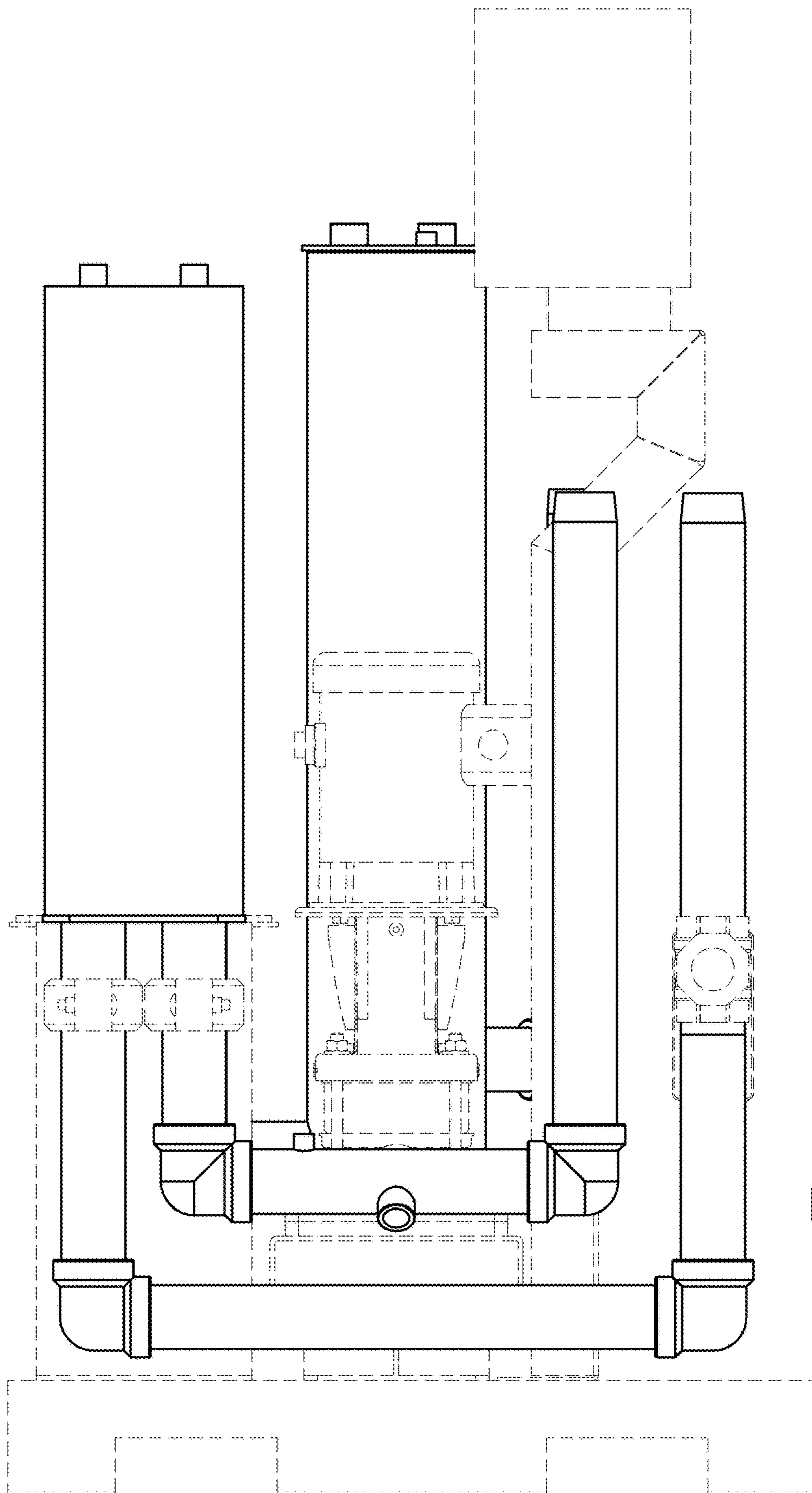


FIG. 4

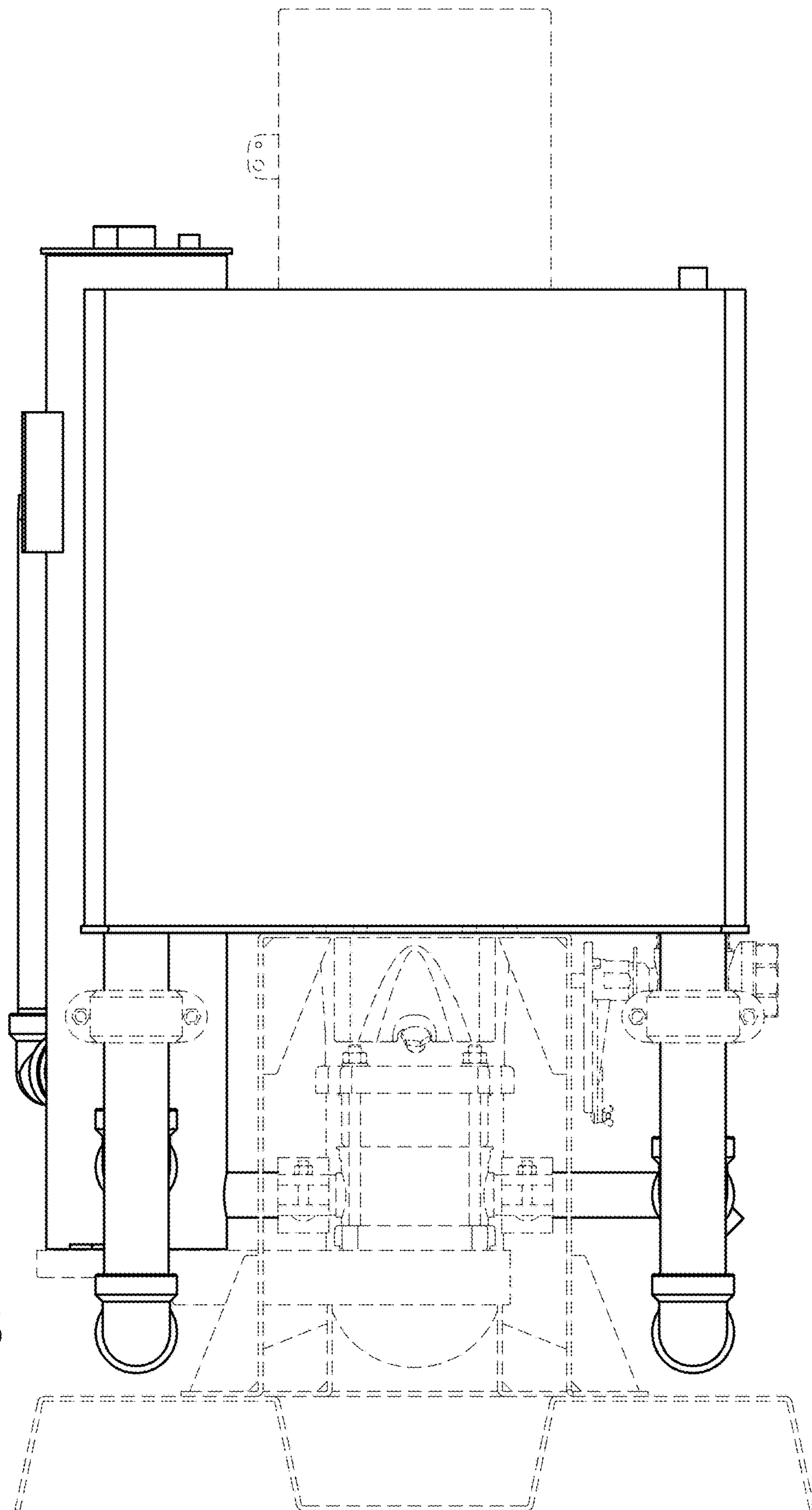


FIG. 5

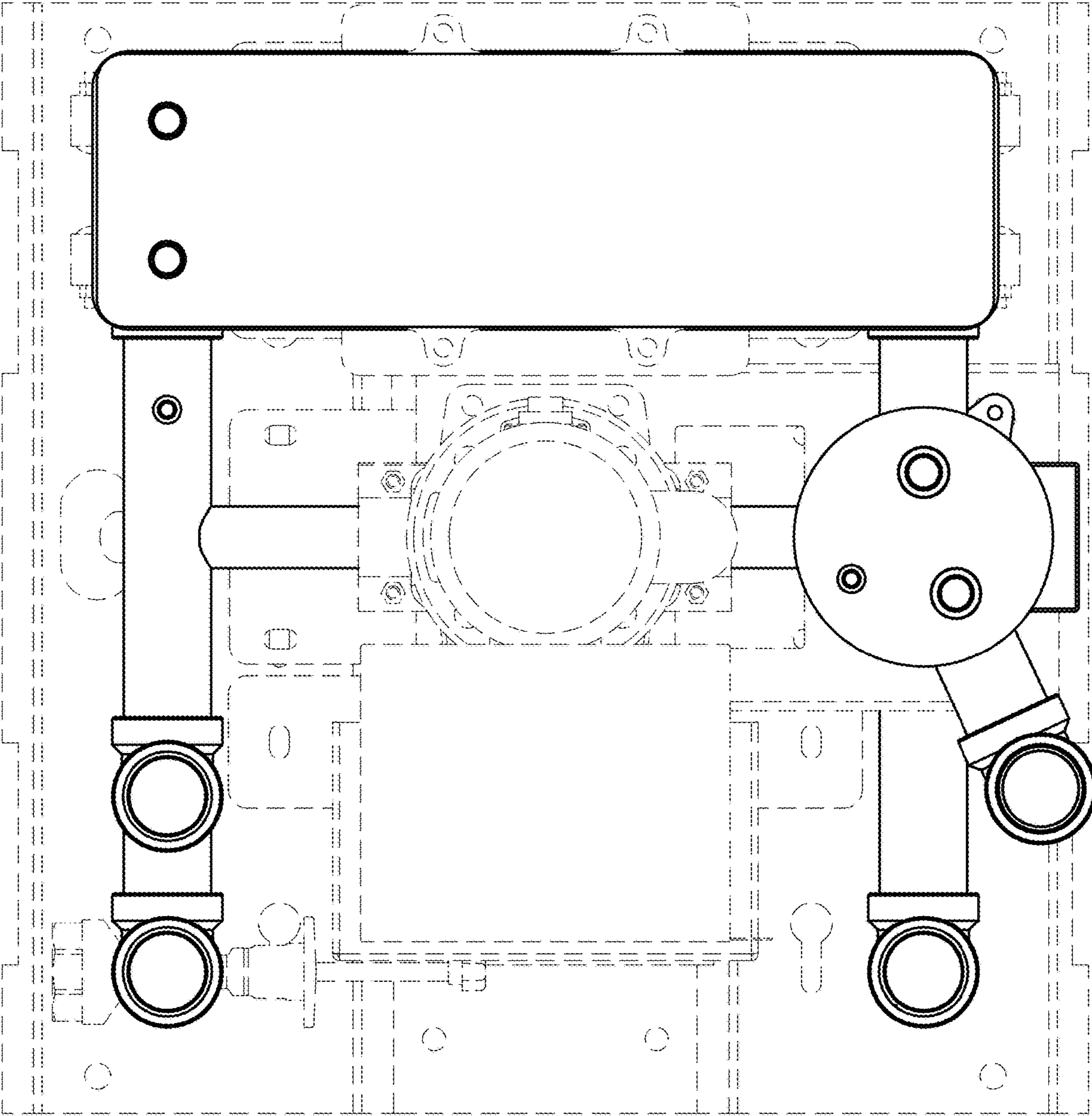


FIG. 6