



US00D887536S

(12) **United States Design Patent** (10) **Patent No.:** **US D887,536 S**  
**Stevenson et al.** (45) **Date of Patent:** **\*\* Jun. 16, 2020**

(54) **TOILET**  
(71) Applicant: **Kohler Mira Limited**, Gloucestershire (GB)  
(72) Inventors: **Robert Karl Stevenson**, London (GB); **Alexander Muspratt-Williams**, London (GB); **Mimi Jiang**, Shanghai (CN)  
(73) Assignee: **KOHLER MIRA LIMITED** (GB)  
(\*\*) Term: **15 Years**  
(21) Appl. No.: **29/660,503**  
(22) Filed: **Aug. 21, 2018**

D393,060 S 3/1998 Ehrensperger  
D398,383 S 9/1998 Kergoet  
D399,294 S 10/1998 Kawamura  
D412,742 S 8/1999 Soulier  
D455,202 S 4/2002 Soulier  
D455,203 S 4/2002 Jones  
D455,477 S 4/2002 Soulier  
D496,444 S 9/2004 Kergoet  
D536,428 S 2/2007 Kohler, Jr. et al.  
D536,771 S 2/2007 Chenesseau  
D558,313 S \* 12/2007 Igarashi ..... D23/295  
D585,128 S 1/2009 Slothower  
D587,356 S 2/2009 Cummings  
D612,026 S 3/2010 Soulier  
D613,836 S 4/2010 Soulier  
D615,635 S 5/2010 Hanna  
D616,077 S \* 5/2010 Lin ..... D23/301  
D624,165 S 9/2010 Yokoyama  
D624,997 S 10/2010 Schonherr

(Continued)

**Related U.S. Application Data**

(62) Division of application No. 29/618,830, filed on Sep. 25, 2017, now Pat. No. Des. 829,311, which is a division of application No. 29/566,499, filed on May 31, 2016, now Pat. No. Des. 802,106.  
(51) **LOC (12) Cl.** ..... **23-02**  
(52) **U.S. Cl.**  
USPC ..... **D23/309**  
(58) **Field of Classification Search**  
USPC ..... D23/295–301, 303, 309, 311–313  
CPC ..... A47K 11/02; A47K 11/026; A47K 11/00;  
A47K 13/00; E03D 11/18; E03D 5/10;  
E03D 13/00  
See application file for complete search history.

*Primary Examiner* — Brandon M Rosati  
*Assistant Examiner* — John A Voytek  
(74) *Attorney, Agent, or Firm* — Foley & Lardner LLP

(57) **CLAIM**

We claim the ornamental design for a toilet, as shown and described.

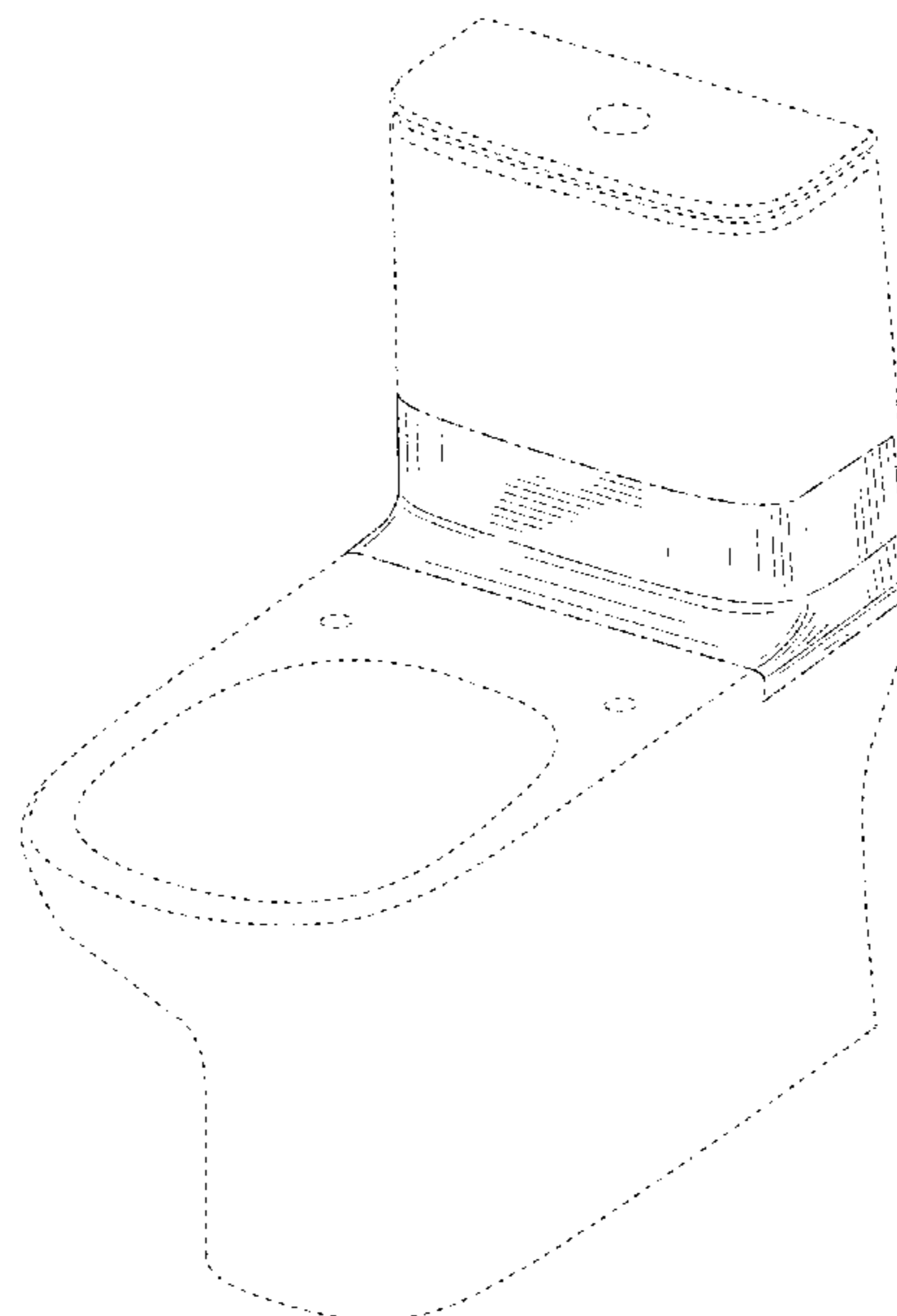
**DESCRIPTION**

FIG. 1 is a perspective view of the claimed design;  
FIG. 2 is a front view of FIG. 1;  
FIG. 3 is a side view of FIG. 1;  
FIG. 4 is a another side view of FIG. 1;  
FIG. 5 is a top view of FIG. 1; and,  
FIG. 6 is a bottom view of FIG. 1.  
The broken lines in the drawings form no part of the claimed design. Broken lines formed by equal length dashes show unclaimed subject matter. Broken lines formed of unequal length dashes (i.e., dash-dot) define bounds of the claimed design.

(56) **References Cited**  
U.S. PATENT DOCUMENTS

D309,939 S 8/1990 Yvetot  
D311,242 S 10/1990 Reid  
D332,137 S 12/1992 Kohler, Jr. et al.  
D349,156 S 7/1994 Kohler, Jr. et al.  
D352,772 S 11/1994 Kohler, Jr. et al.

**1 Claim, 6 Drawing Sheets**



(56)

**References Cited**

U.S. PATENT DOCUMENTS

D637,702 S	5/2011	Rexach	
D646,366 S	10/2011	Palomba	
D654,993 S	2/2012	Ando	
D687,936 S	8/2013	Kennedy	
D694,379 S	11/2013	Bates	
D702,823 S	4/2014	Spangler	
D735,305 S	7/2015	Obara	
D760,366 S	6/2016	Cummings	
D764,033 S	8/2016	Chuk	
D765,228 S	8/2016	Cummings	
D782,634 S *	3/2017	Reid .....	D23/309
D798,425 S *	9/2017	Mesun .....	D23/301
D802,105 S *	11/2017	Stevenson .....	D23/301
D802,106 S *	11/2017	Stevenson .....	D23/301
D858,723 S *	9/2019	Cummings .....	D23/301

\* cited by examiner

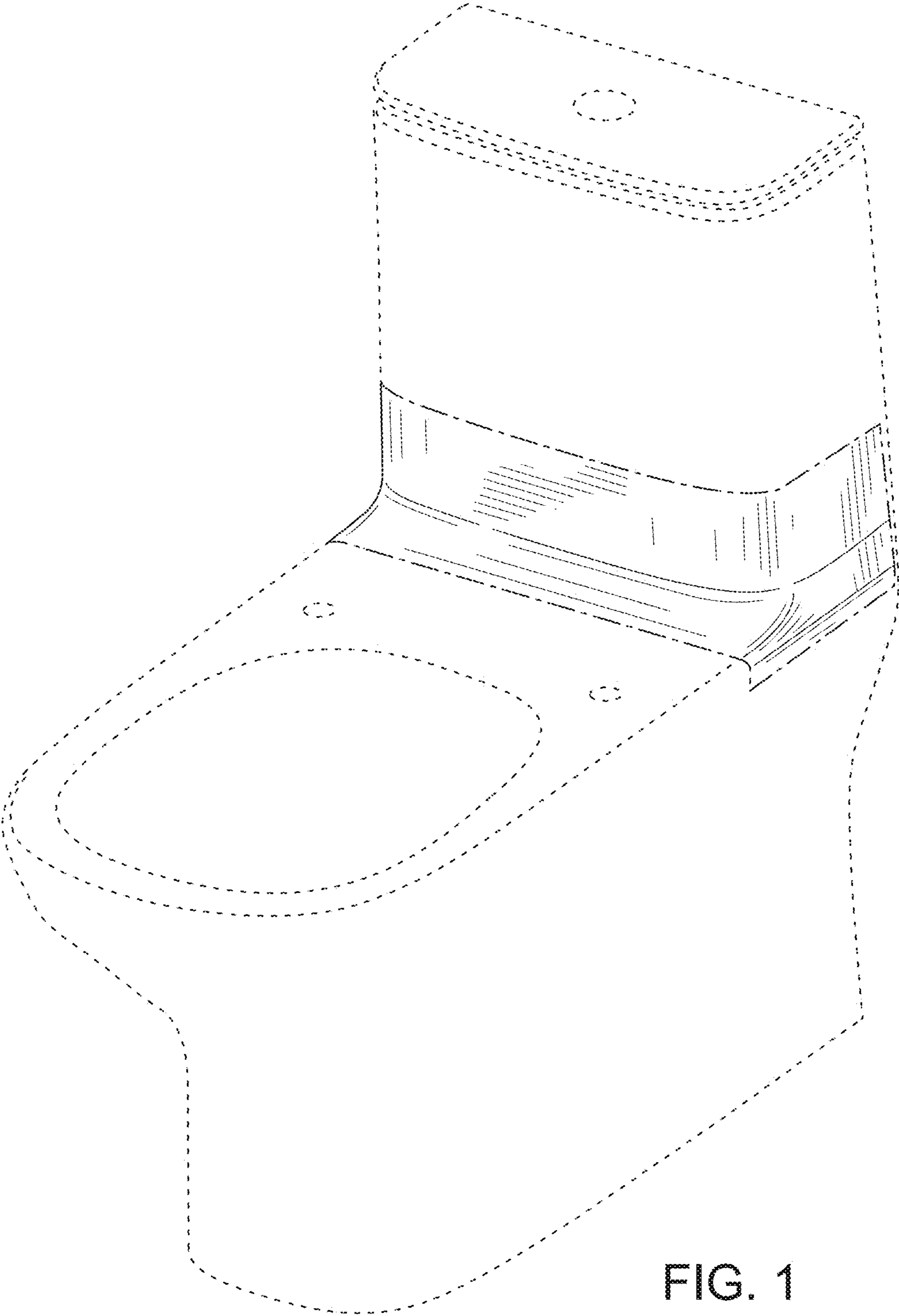


FIG. 1

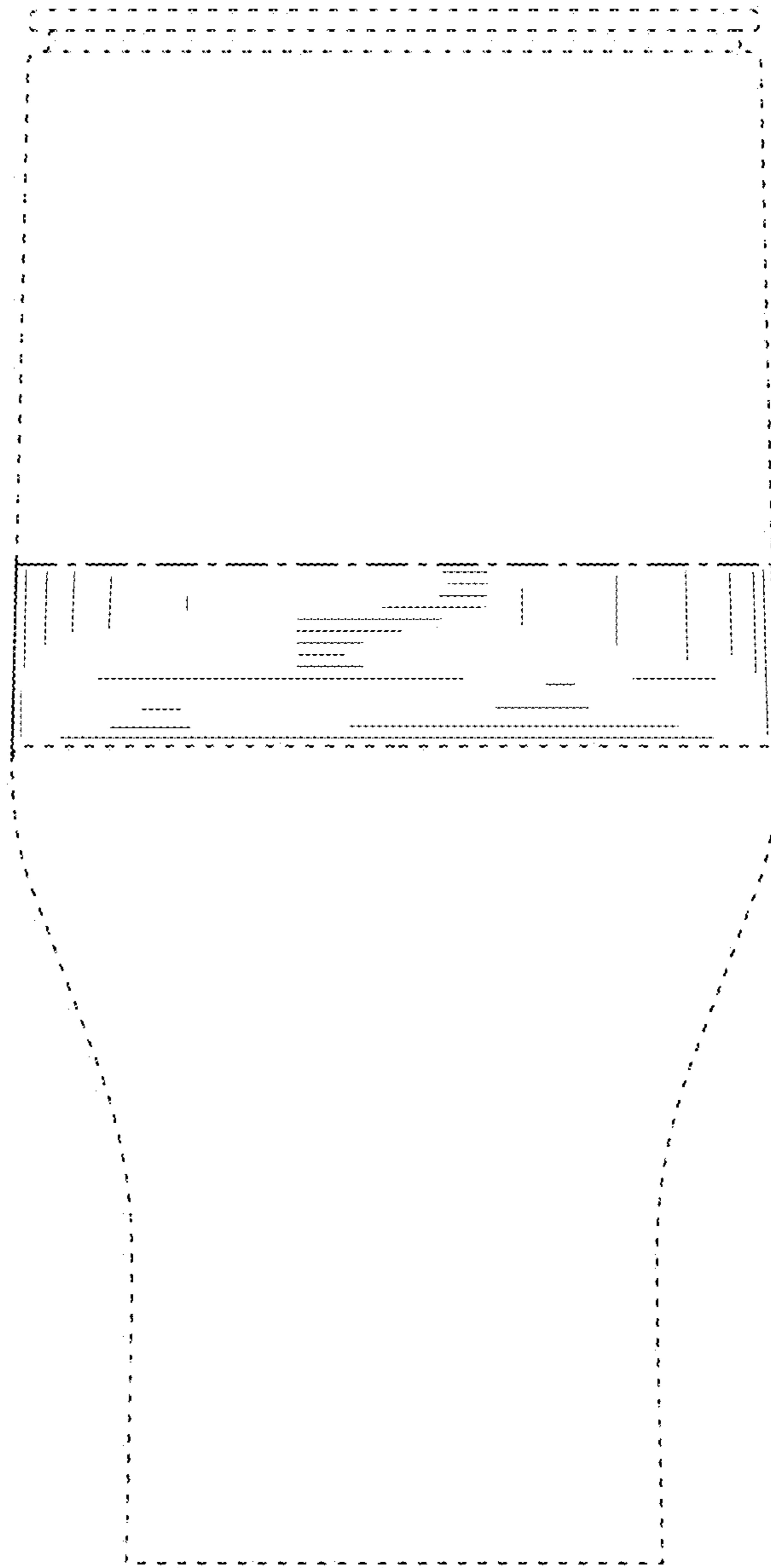


FIG. 2

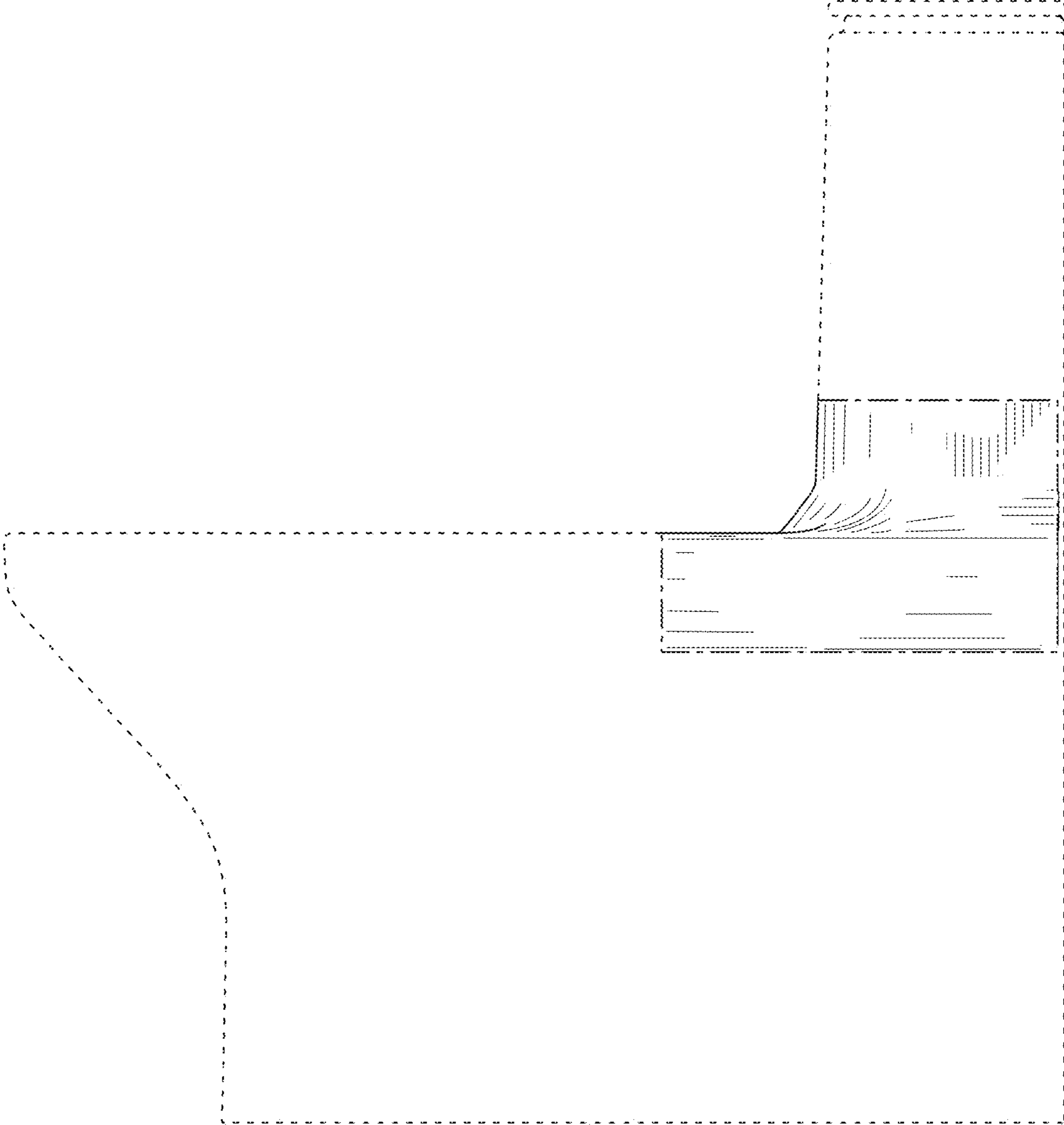


FIG. 3

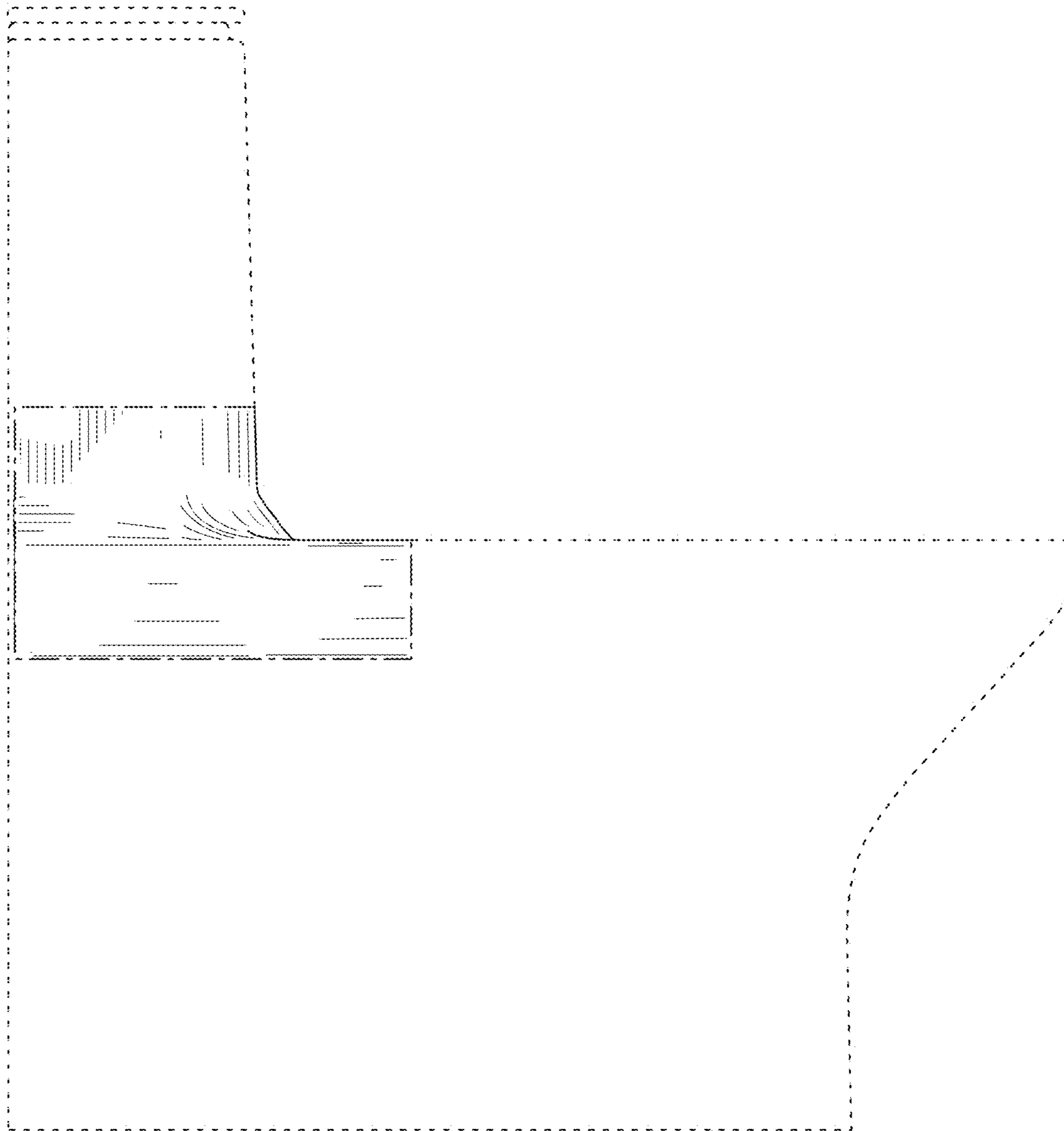


FIG. 4

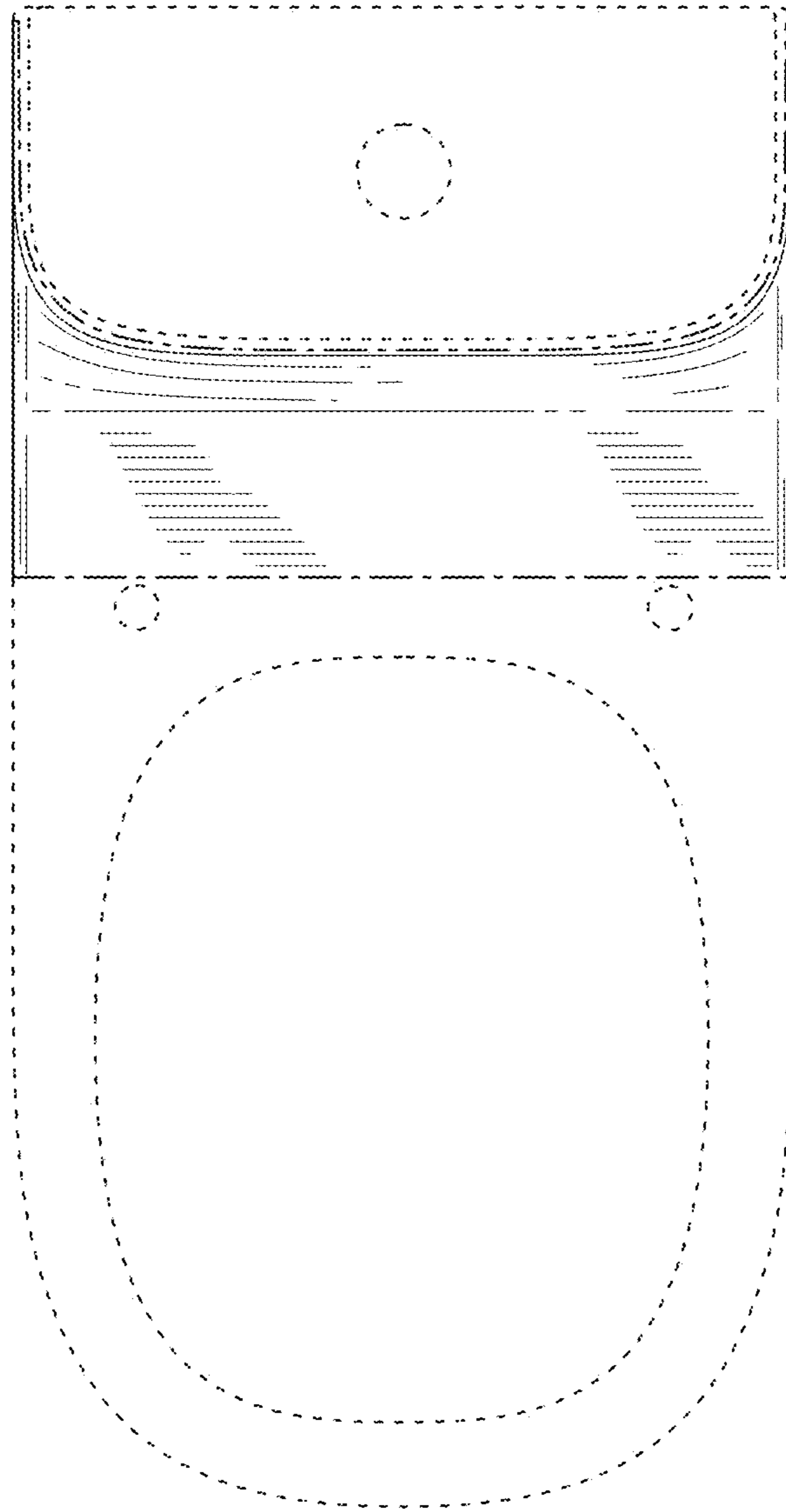


FIG. 5

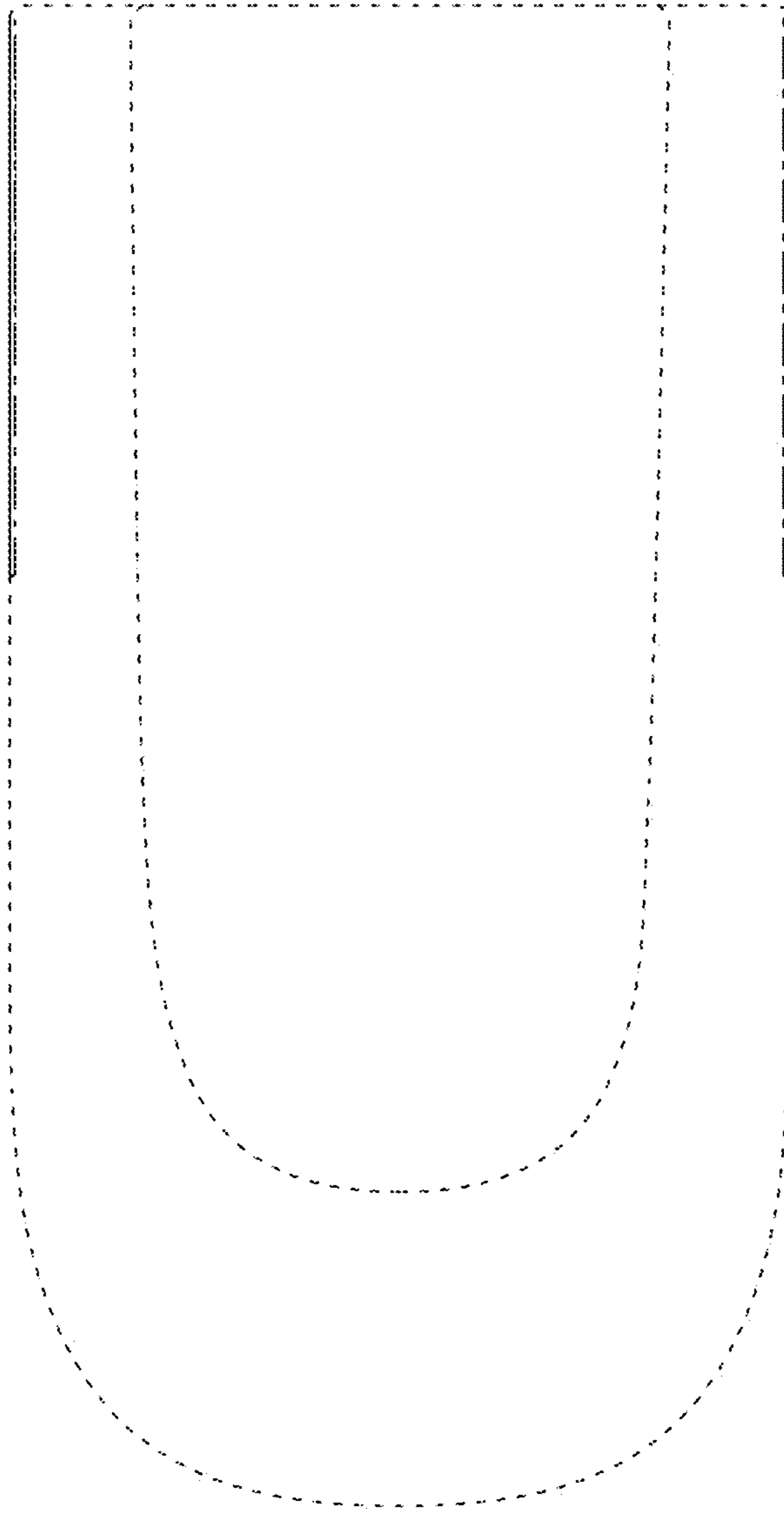


FIG. 6