



US00D887534S

(12) **United States Design Patent** (10) **Patent No.:** **US D887,534 S**  
**Zioni** (45) **Date of Patent:** **\*\* Jun. 16, 2020**

(54) **POTTY**  
(71) Applicant: **CROWNWELL LLC**, Los Angeles, CA (US)  
(72) Inventor: **Yaniv Zioni**, Los Angeles, CA (US)  
(\*\*) Term: **15 Years**  
(21) Appl. No.: **29/658,759**  
(22) Filed: **Aug. 2, 2018**  
(51) **LOC (12) Cl.** ..... **23-02**  
(52) **U.S. Cl.**  
USPC ..... **D23/296**  
(58) **Field of Classification Search**  
USPC ..... D23/296, 299, 303, 309  
CPC ..... A47K 13/06; Y10S 4/902  
See application file for complete search history.

(56) **References Cited**  
**U.S. PATENT DOCUMENTS**  
D302,583 S \* 8/1989 Lemmeyer ..... D23/296  
D454,624 S \* 3/2002 Yeung ..... D23/296  
6,684,418 B2 \* 2/2004 Choi ..... A47K 11/06  
4/314  
D620,090 S \* 7/2010 Jenner ..... D23/299  
D730,500 S \* 5/2015 Jenner ..... D23/296  
D730,501 S \* 5/2015 Jenner ..... D23/296  
10,478,024 B2 \* 11/2019 Del Duke ..... A47K 13/02

\* cited by examiner

*Primary Examiner* — Robert A Delehanty  
(74) *Attorney, Agent, or Firm* — Payam Moradian

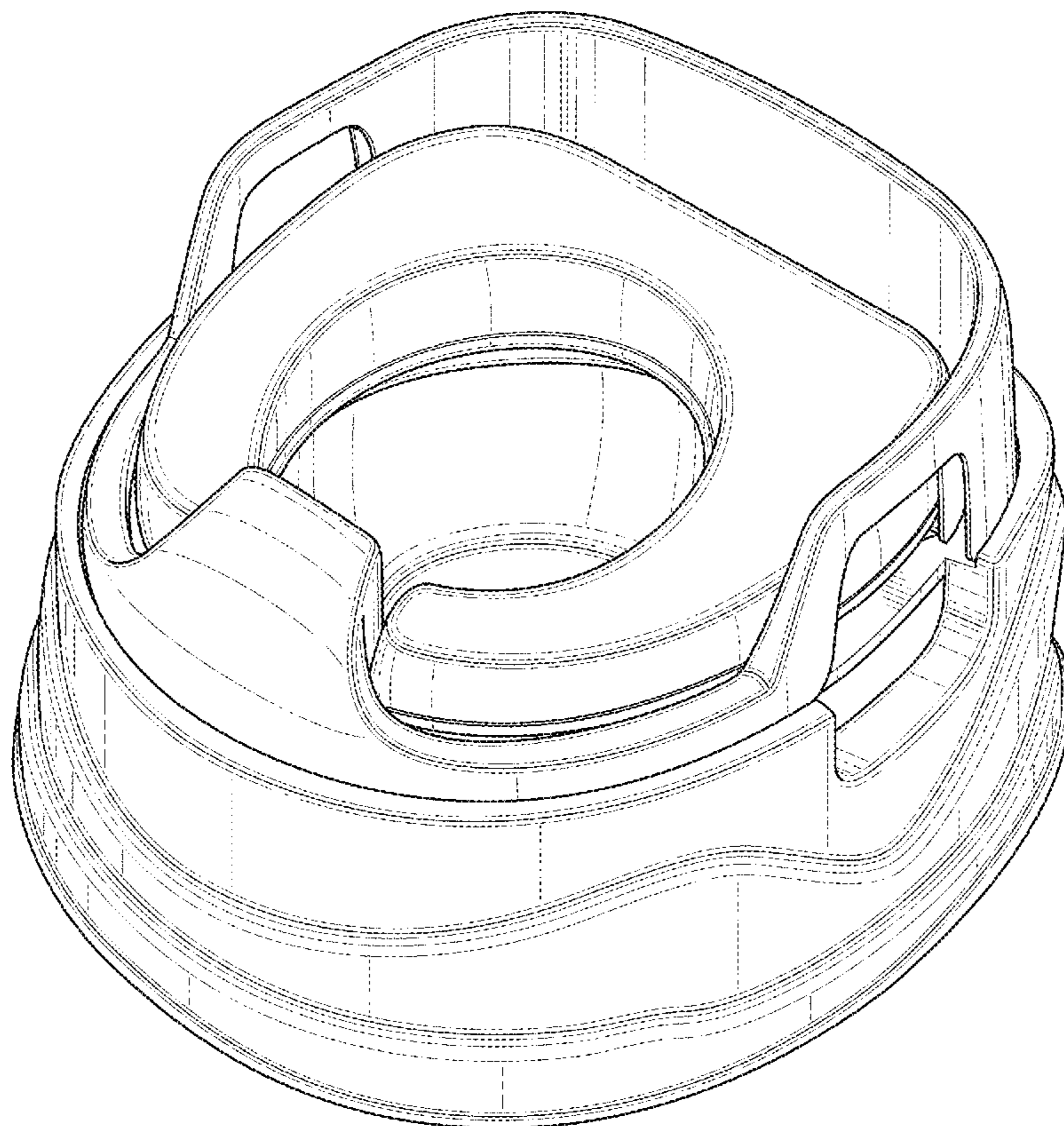
(57) **CLAIM**

I claim the ornamental design for the potty, as shown and described.

**DESCRIPTION**

FIG. 1 is a top perspective view of a potty according to my new design showing a lid installed thereon;  
FIG. 2 is a left side view thereof;  
FIG. 3 is a right side view thereof;  
FIG. 4 is a front side view thereof;  
FIG. 5 is a rear side view thereof;  
FIG. 6 is a top plan view thereof;  
FIG. 7 is a bottom plan view thereof;  
FIG. 8 is a top perspective view of a potty showing a potty seat installed thereon;  
FIG. 9 is a left side view thereof;  
FIG. 10 is a right side view thereof;  
FIG. 11 is a Front side view thereof;  
FIG. 12 is a rear side view thereof;  
FIG. 13 is a top plan view thereof; and,  
FIG. 14 is a bottom plan view thereof.  
The broken lines in the drawings of the potty are for showing portions of the article and form no part of the claimed design.

**1 Claim, 10 Drawing Sheets**



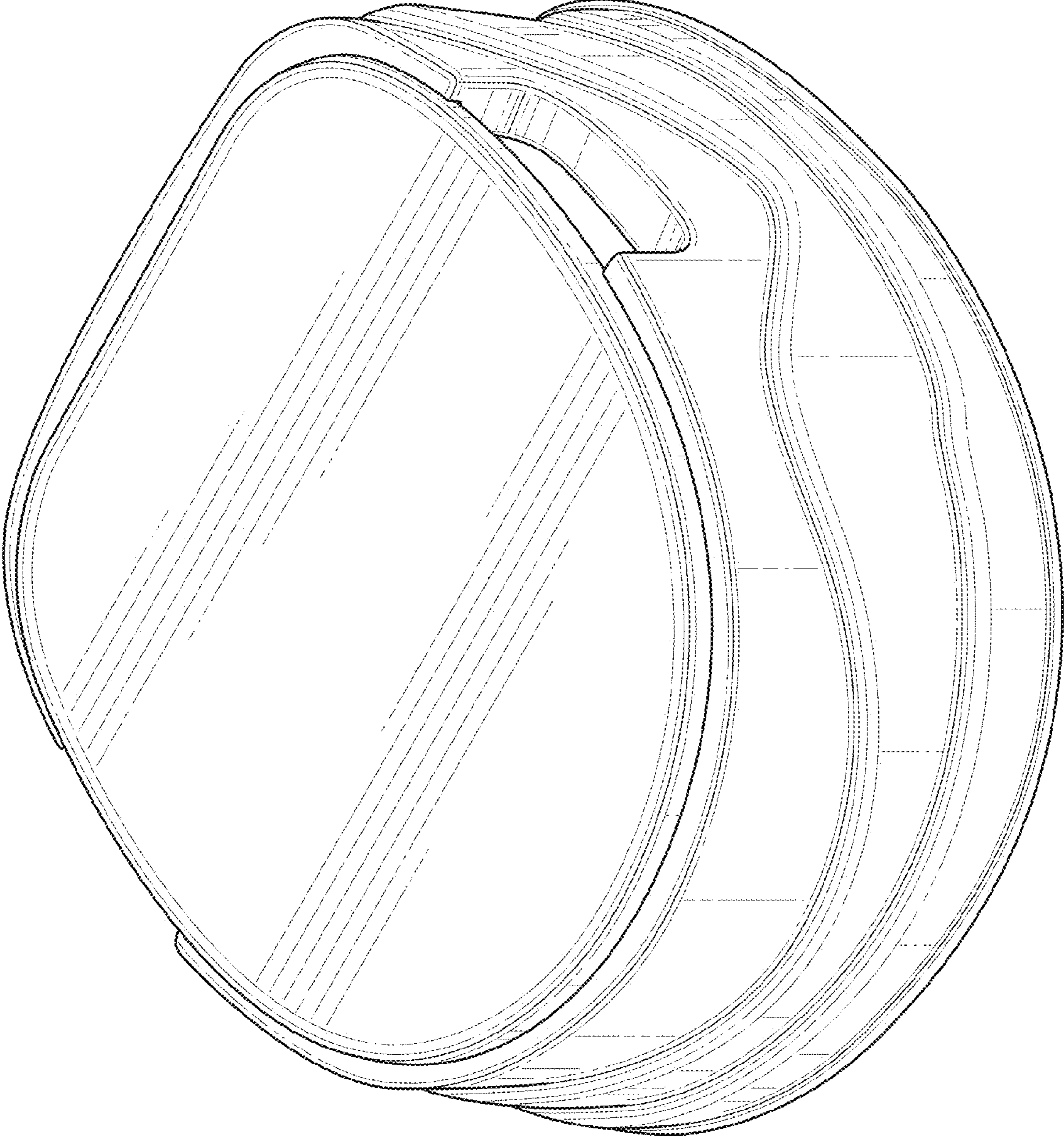


FIG. 1



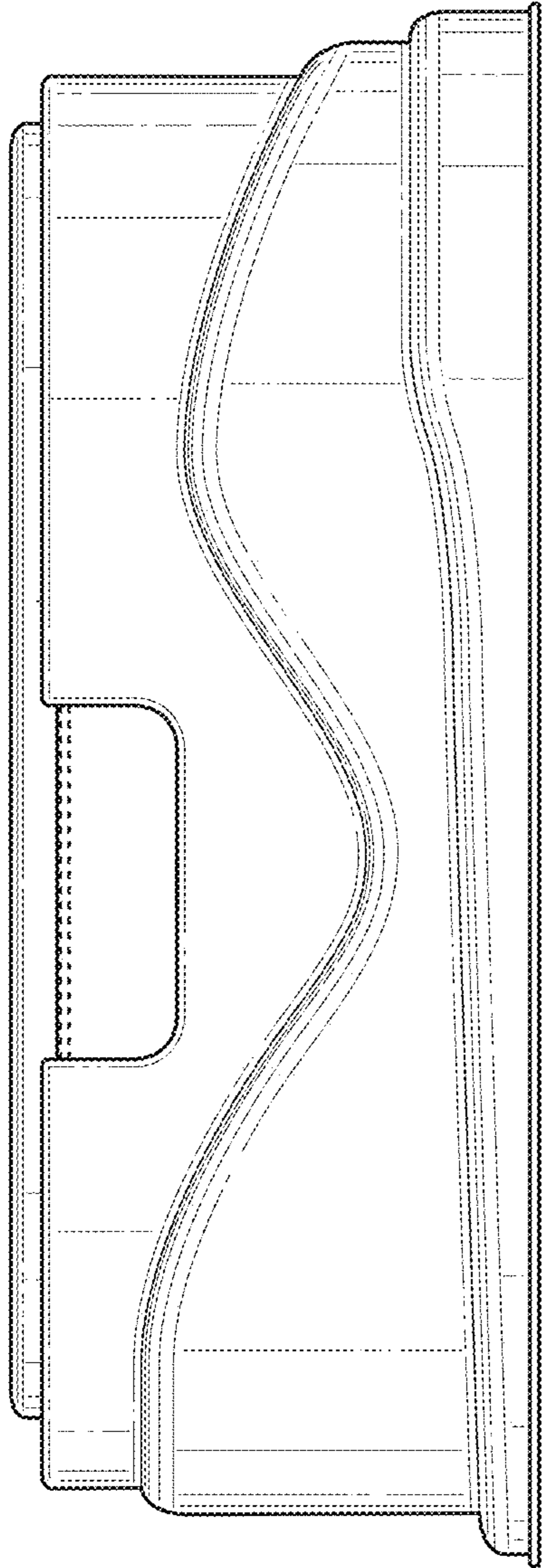


FIG. 2

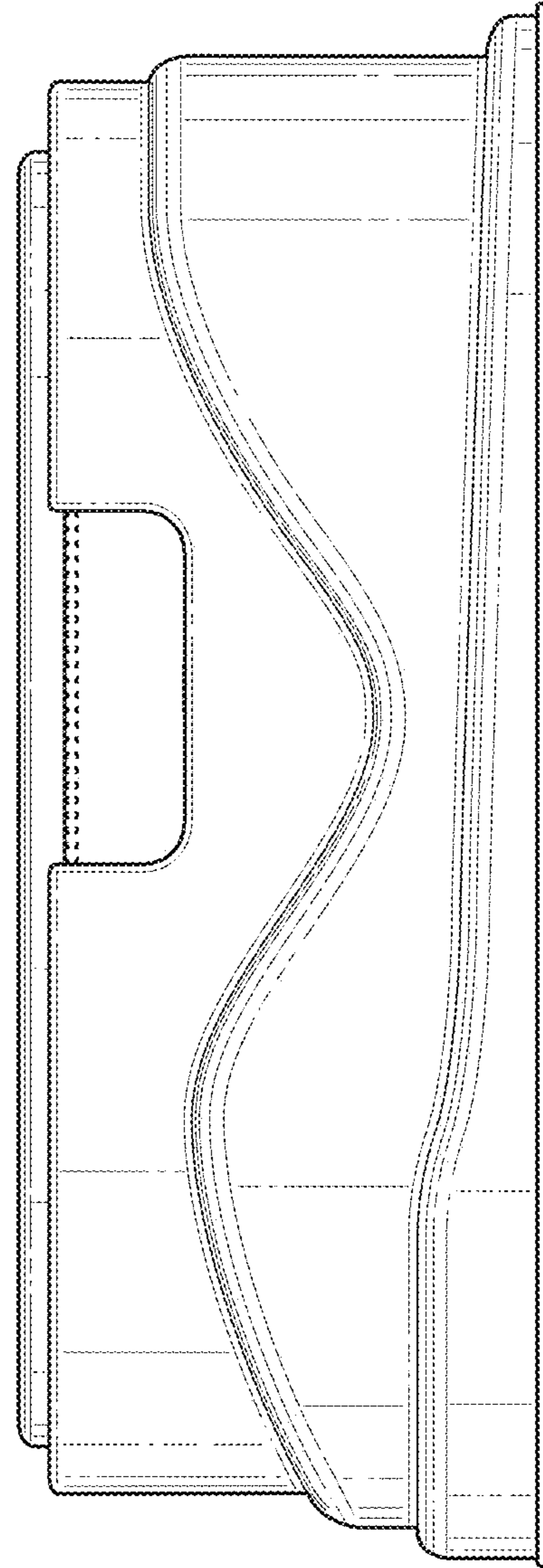


FIG. 3

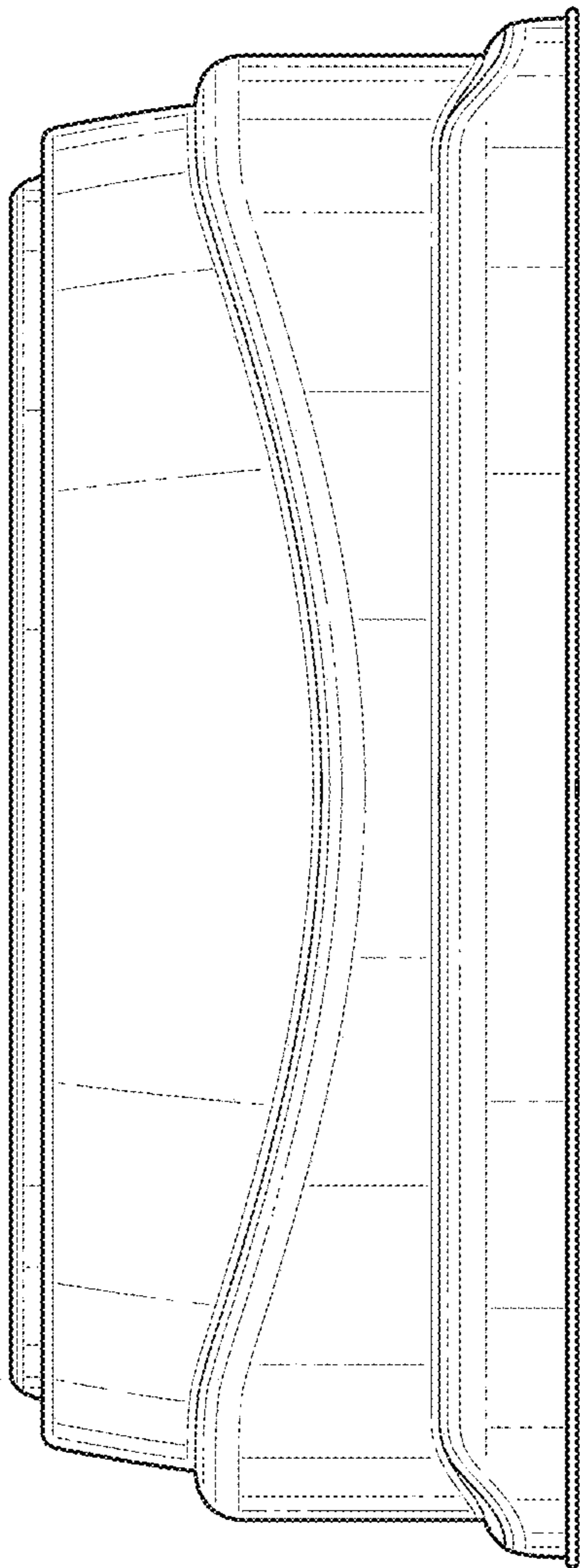


FIG. 4

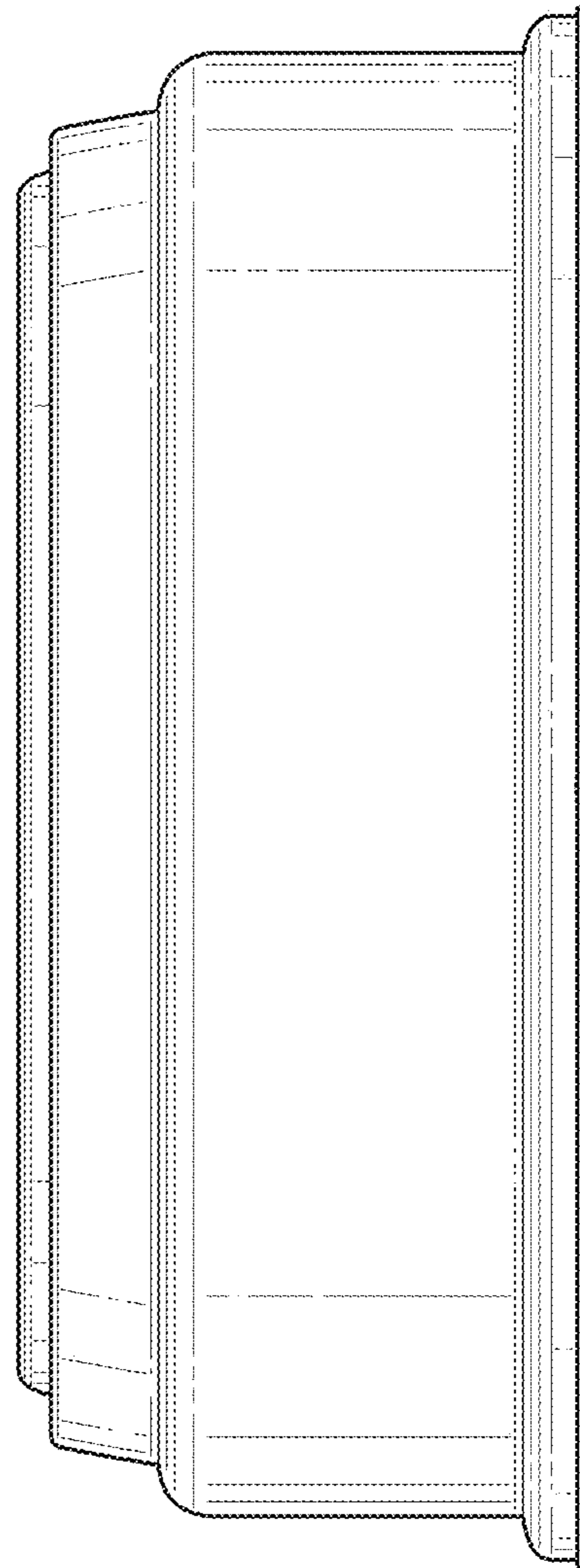


FIG. 5

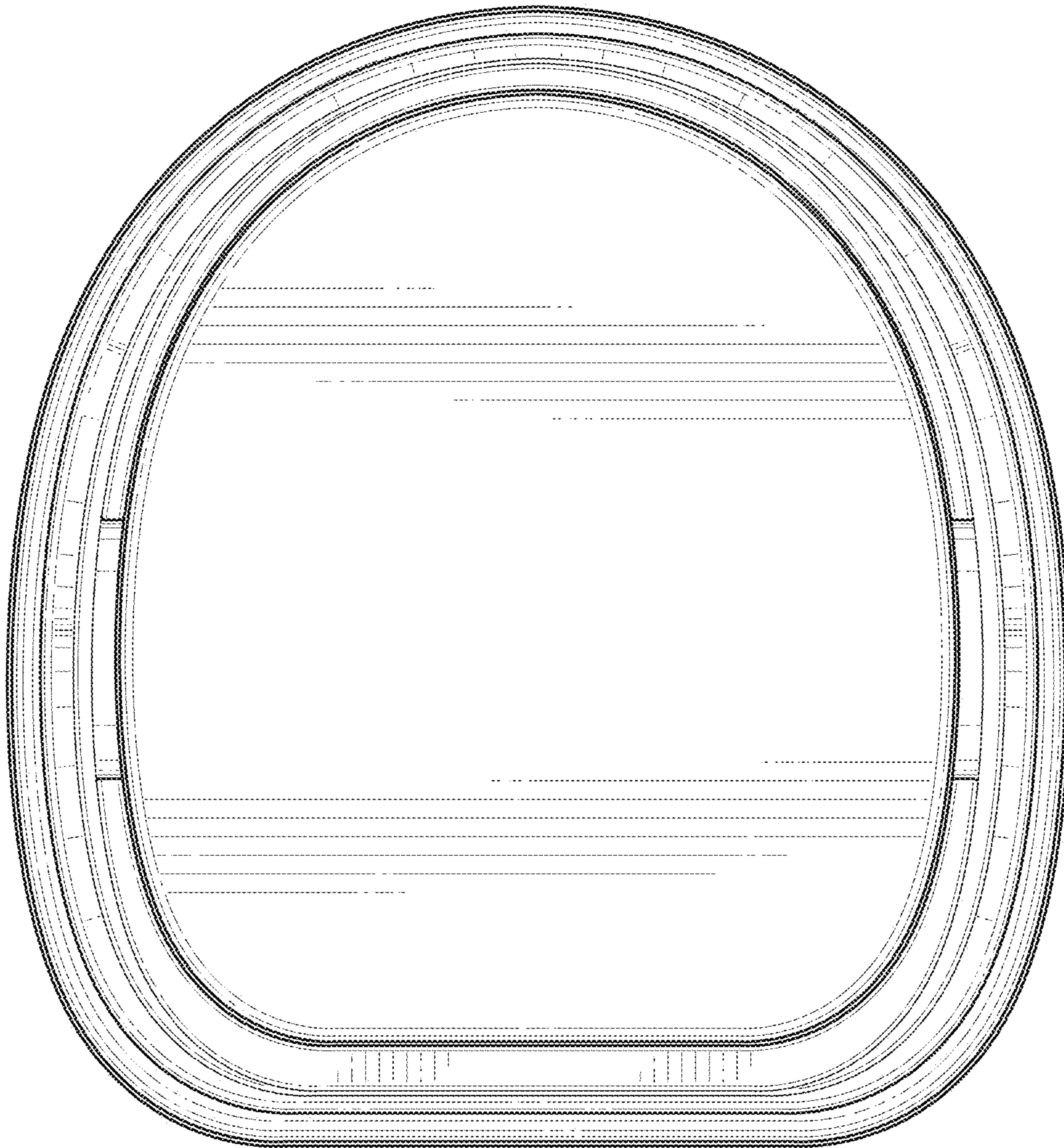


FIG. 6



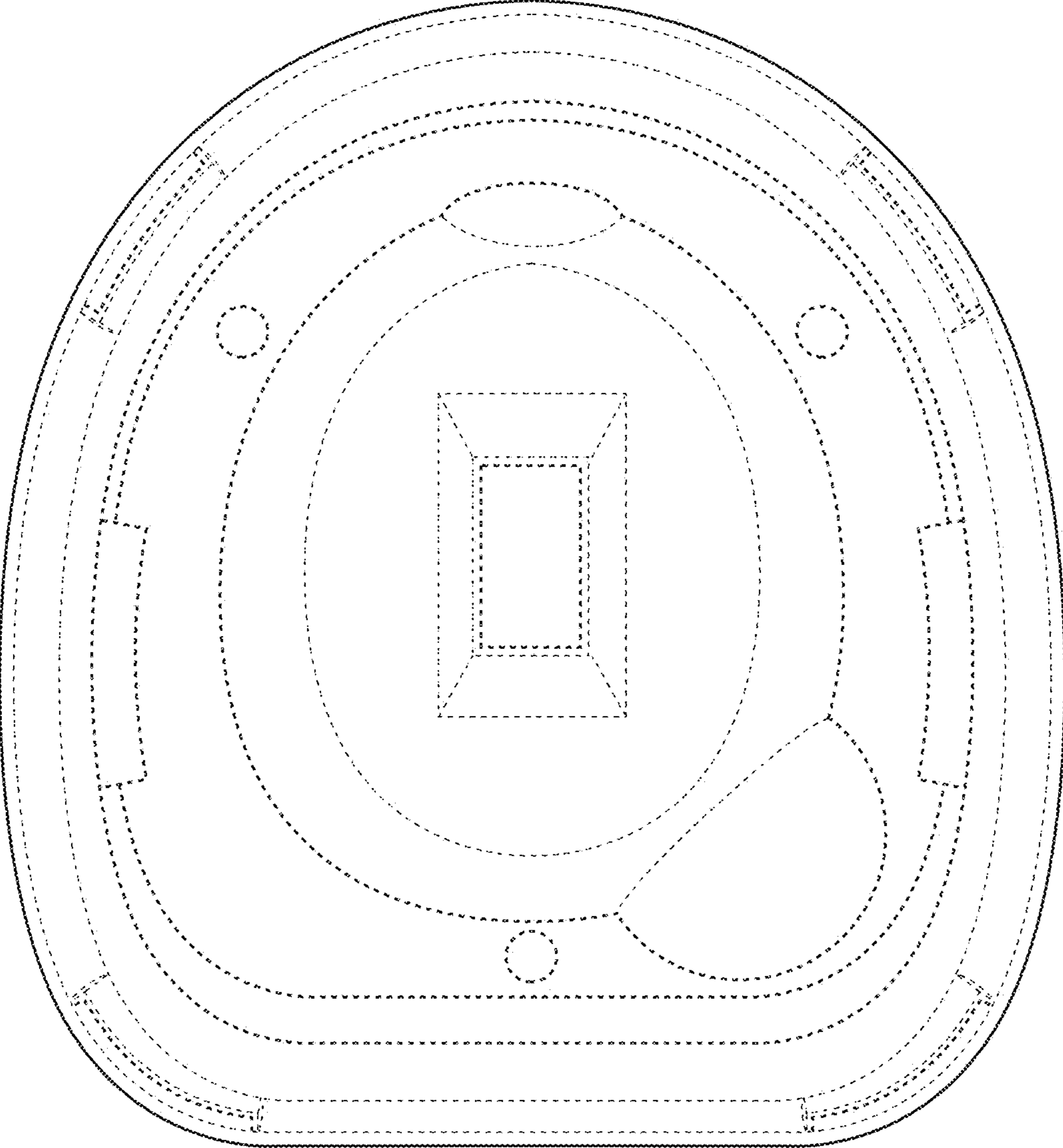


FIG. 7

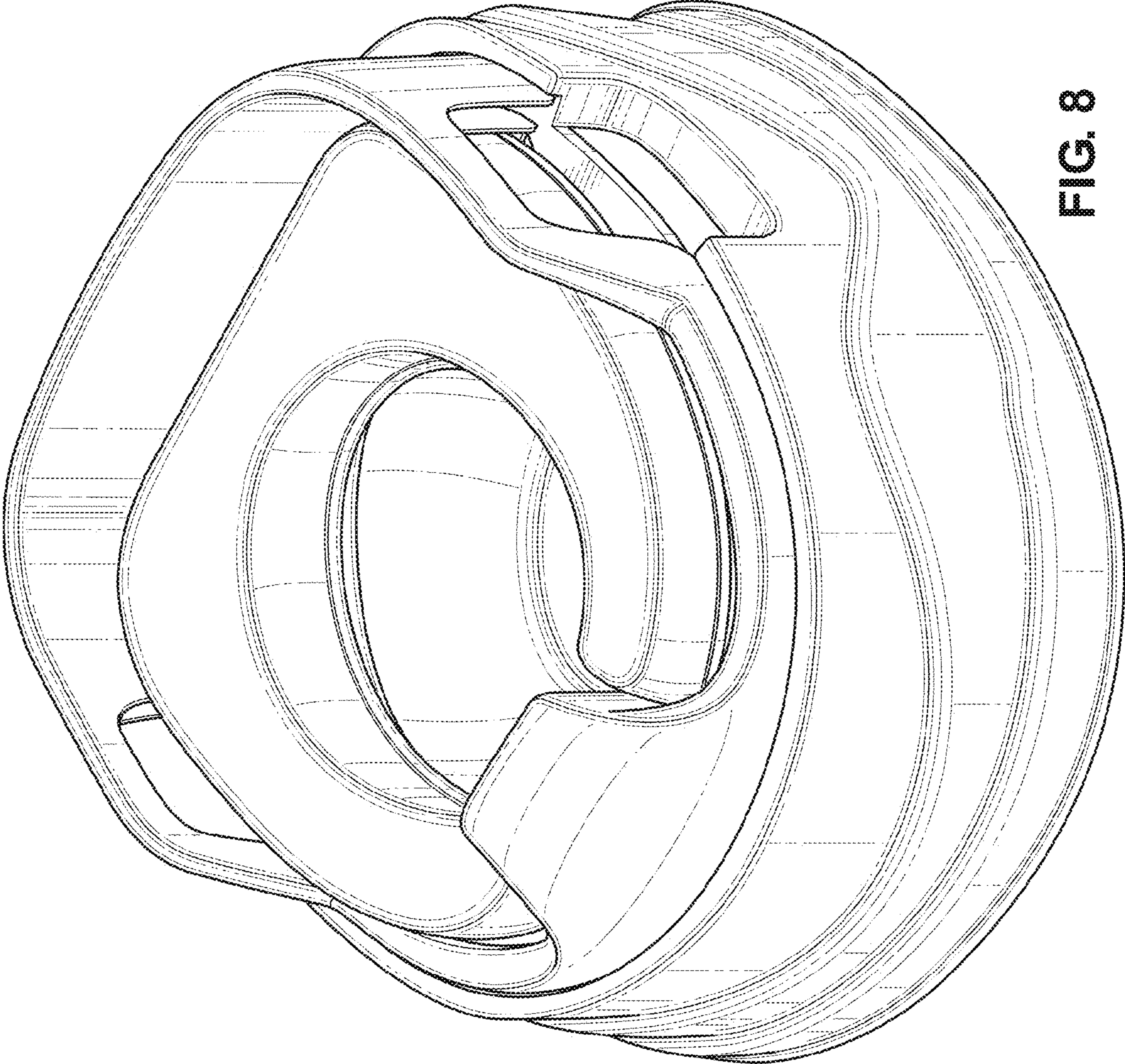


FIG. 8

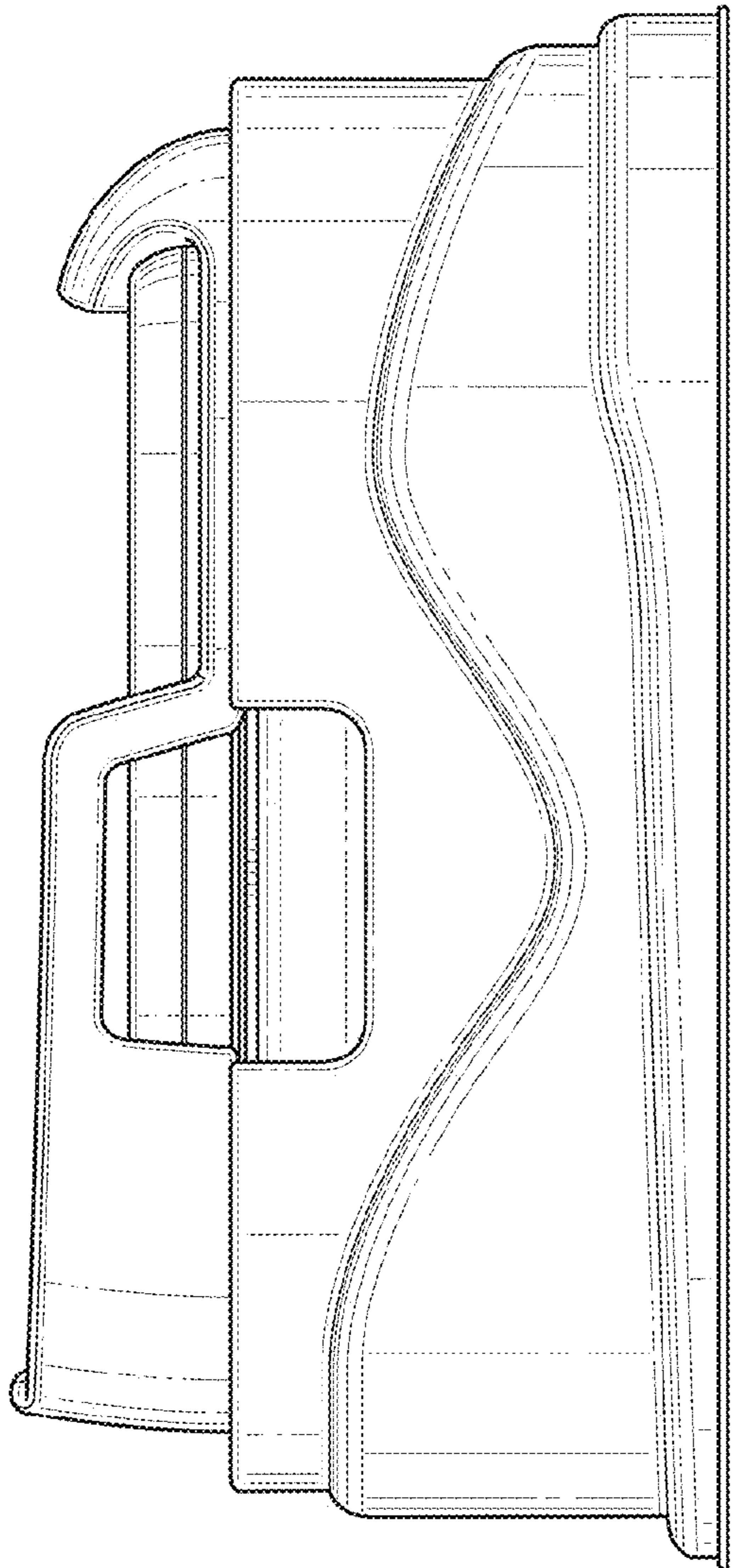


FIG. 9

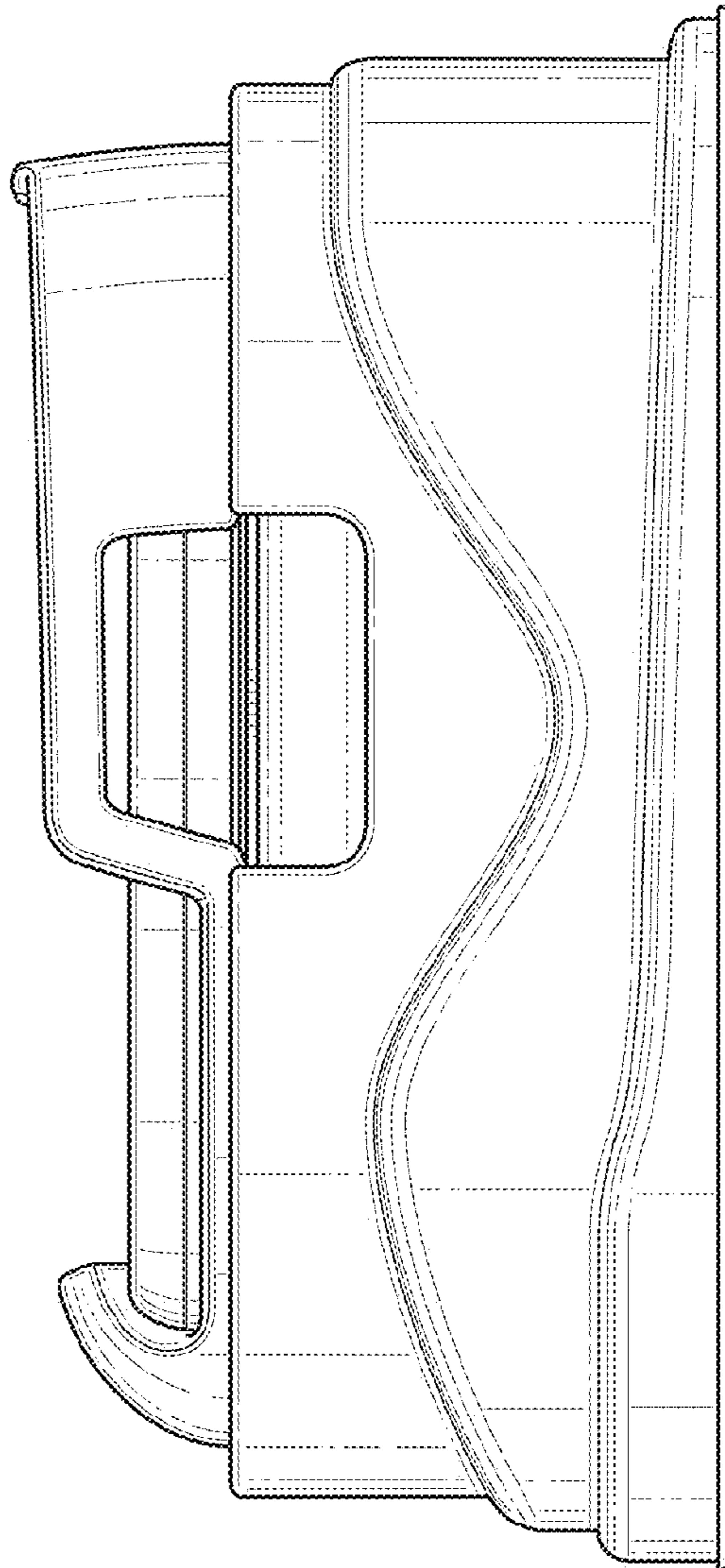


FIG. 10



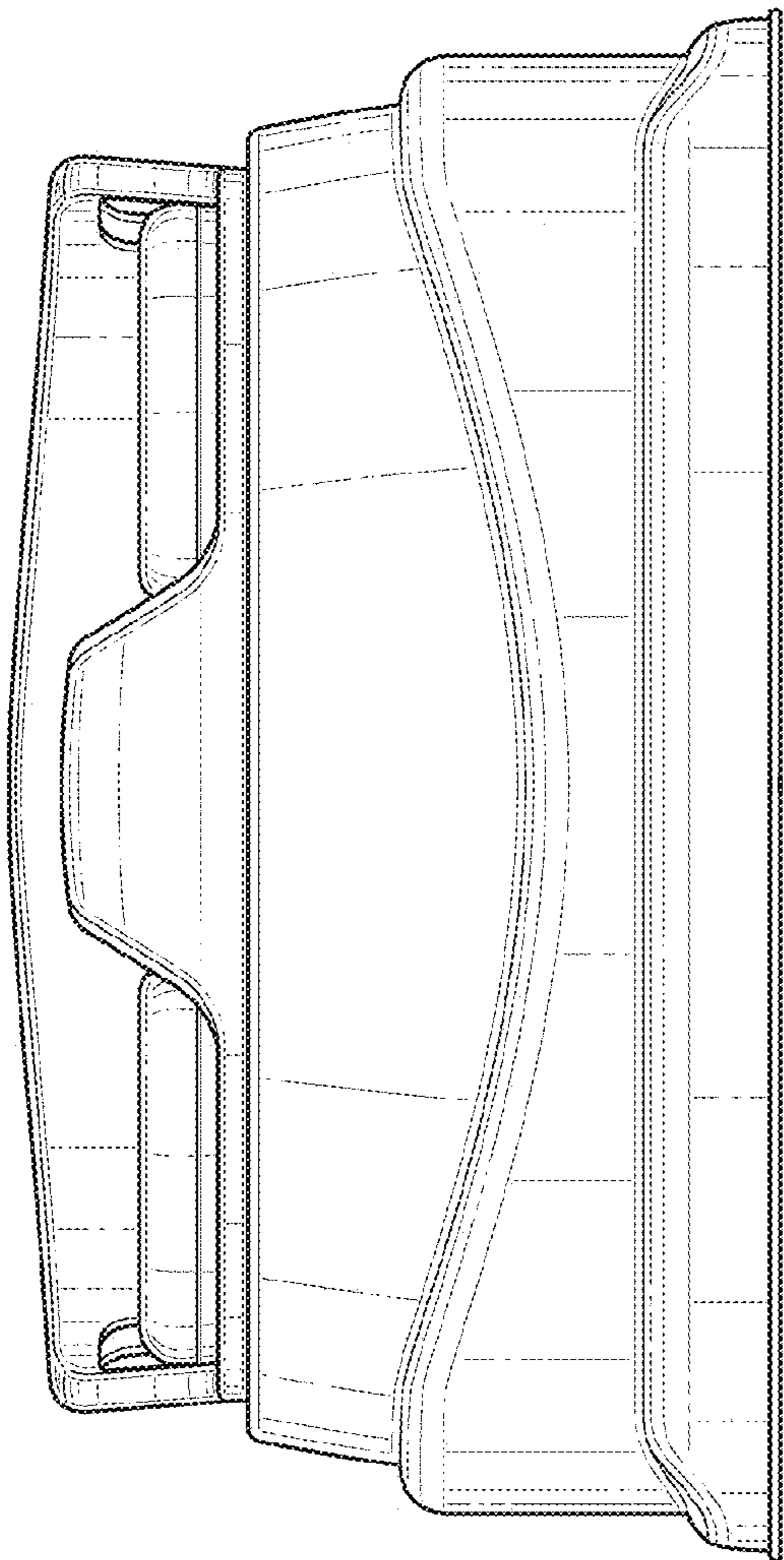


FIG. 11

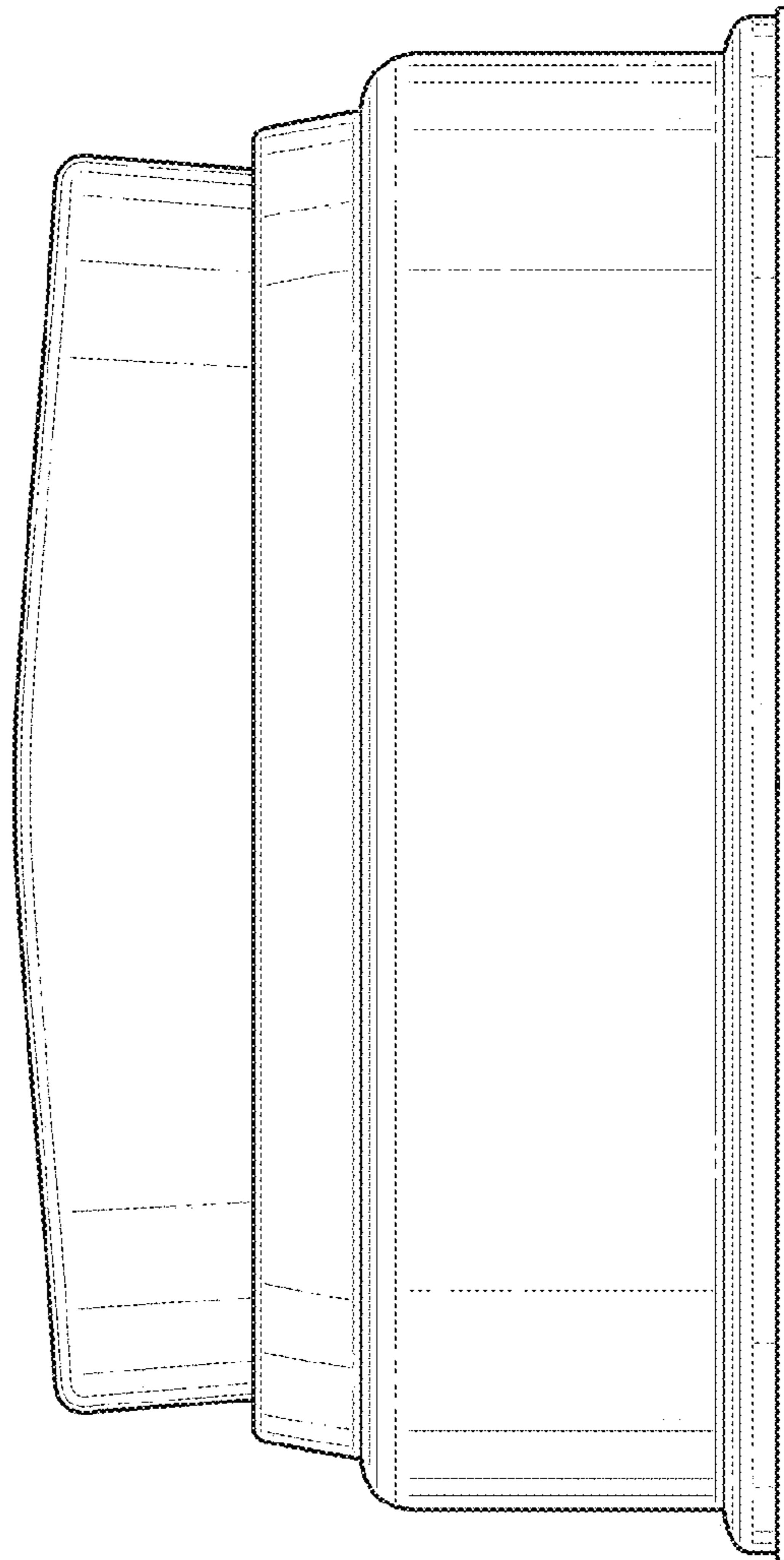


FIG. 12

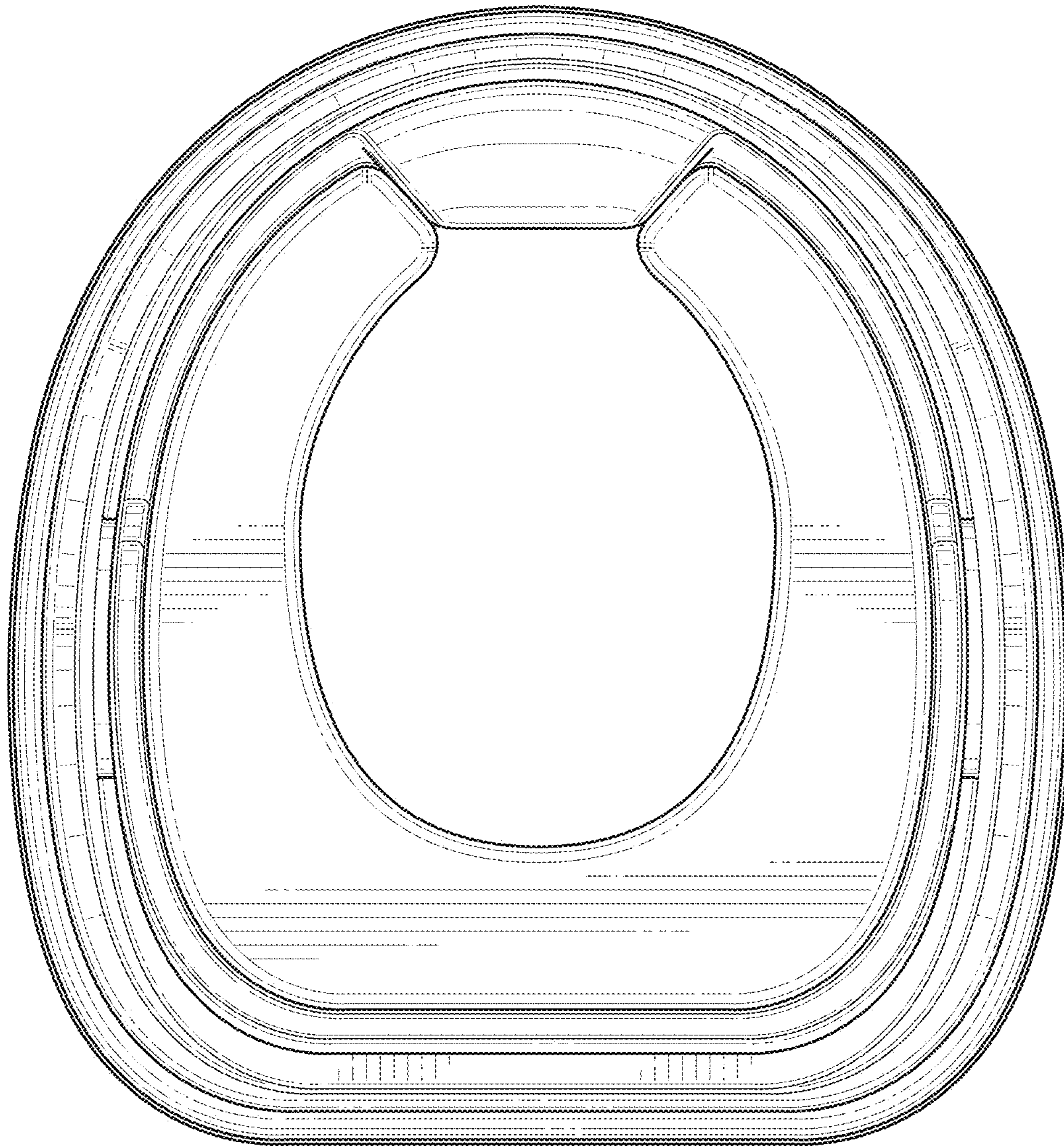


FIG. 13

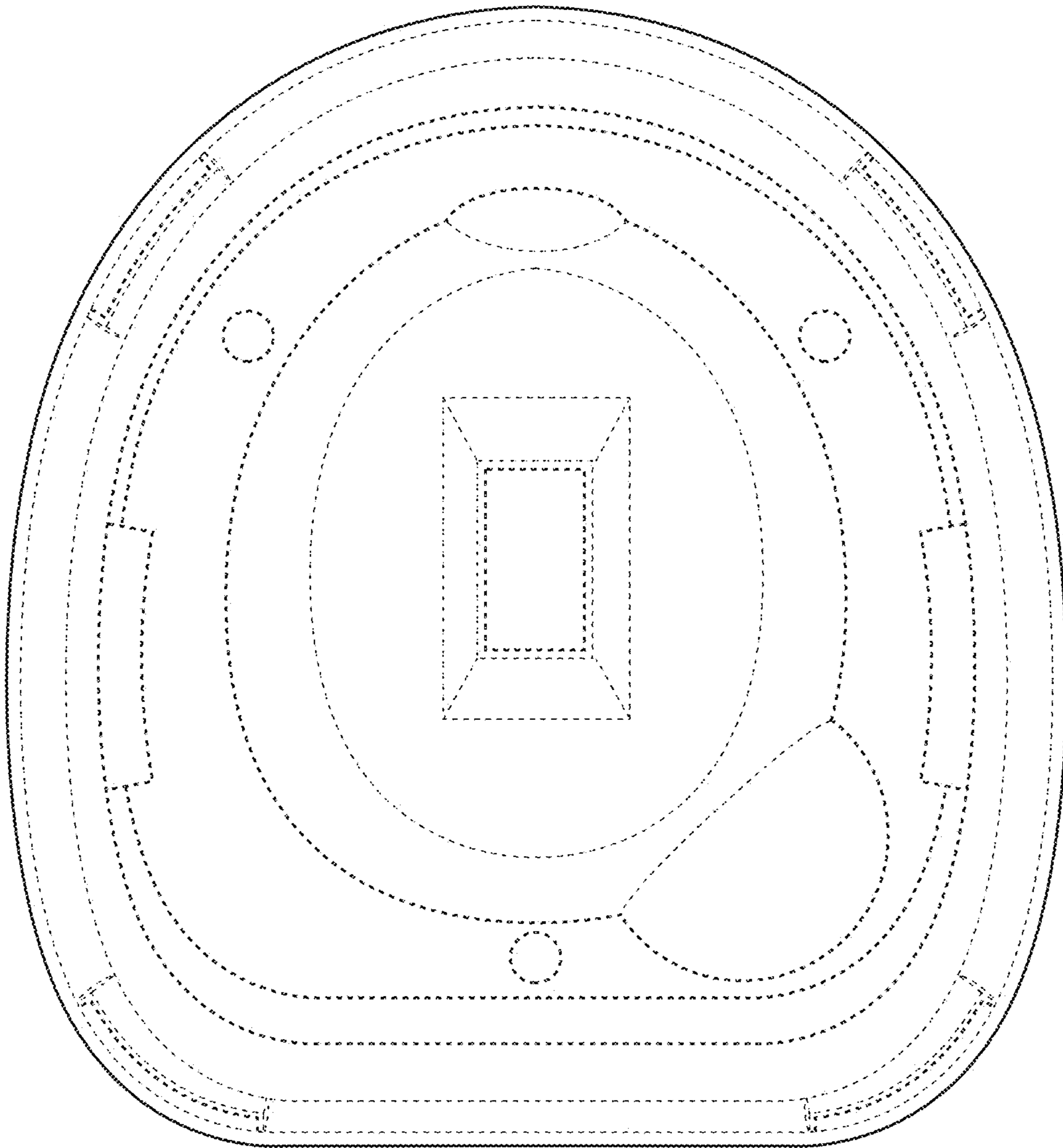


FIG. 14