



US00D887531S

(12) **United States Design Patent**
Tempel

(10) **Patent No.:** **US D887,531 S**

(45) **Date of Patent:** **** Jun. 16, 2020**

(54) **JET REGULATOR**

(71) Applicant: **Neoperl GmbH**, Mullheim (DE)

(72) Inventor: **Marc Tempel**, Freiburg (DE)

(73) Assignee: **Neoperl GmbH**, Müllheim (DE)

(**) Term: **15 Years**

(21) Appl. No.: **29/665,843**

(22) Filed: **Oct. 8, 2018**

Related U.S. Application Data

(62) Division of application No. 35/501,471, filed on Aug. 11, 2016 (U.S. filing date under 35 U.S.C. 384), and having an international filing date of Aug. 11, 2016, now Pat. No. Des. 834,153.

(51) **LOC (12) Cl.** **23-01**

(52) **U.S. Cl.**
USPC **D23/260**

(58) **Field of Classification Search**
USPC D23/213, 223, 226, 229, 230, 260
CPC B05B 1/14; B05B 1/18; B05B 1/3402;
B05B 1/02; B05B 1/22; E03C 1/084
See application file for complete search history.

(56) **References Cited**

U.S. PATENT DOCUMENTS

6,126,093	A *	10/2000	Grether	E03C 1/08 239/428.5
D550,816	S *	9/2007	Grether	D23/249
D550,818	S *	9/2007	Grether	D23/249
7,357,337	B2 *	4/2008	Ferrari	E03C 1/08 239/428.5
D605,732	S *	12/2009	Stein	D23/249

D612,911	S *	3/2010	Grether	D23/249
D622,355	S *	8/2010	Grether	D23/249
D684,241	S *	6/2013	Tempel	D23/213
D688,774	S *	8/2013	Tempel	D23/213
D689,168	S *	9/2013	Tempel	D23/213
D697,175	S *	1/2014	Grether	D23/213
D728,740	S *	5/2015	Tempel	D23/213
D732,140	S *	6/2015	Tempel	D23/213
D752,710	S *	3/2016	Tempel	D23/213
9,416,522	B2 *	8/2016	Tempel	B05B 12/002
D776,240	S *	1/2017	Huang	D23/213
D788,264	S *	5/2017	Stein	D23/213
9,637,896	B2 *	5/2017	Tempel	E03C 1/084
D788,881	S *	6/2017	Birmelin	D23/213
2017/0184212	A1 *	6/2017	Tempel	E03C 1/044
2017/0198461	A1 *	7/2017	Tempel	E03C 1/084

* cited by examiner

Primary Examiner — Michael A. Pratt

(74) *Attorney, Agent, or Firm* — Volpe and Koenig, P.C.

(57) **CLAIM**

I claim the ornamental design for a jet regulator, as shown and described.

DESCRIPTION

FIG. 1 is a top plan view of a jet regulator in accordance with my design;

FIG. 2 is a top, front perspective view thereof;

FIG. 3 is a bottom plan view thereof;

FIG. 4 is a front, bottom perspective view thereof;

FIG. 5 is a front elevational view thereof;

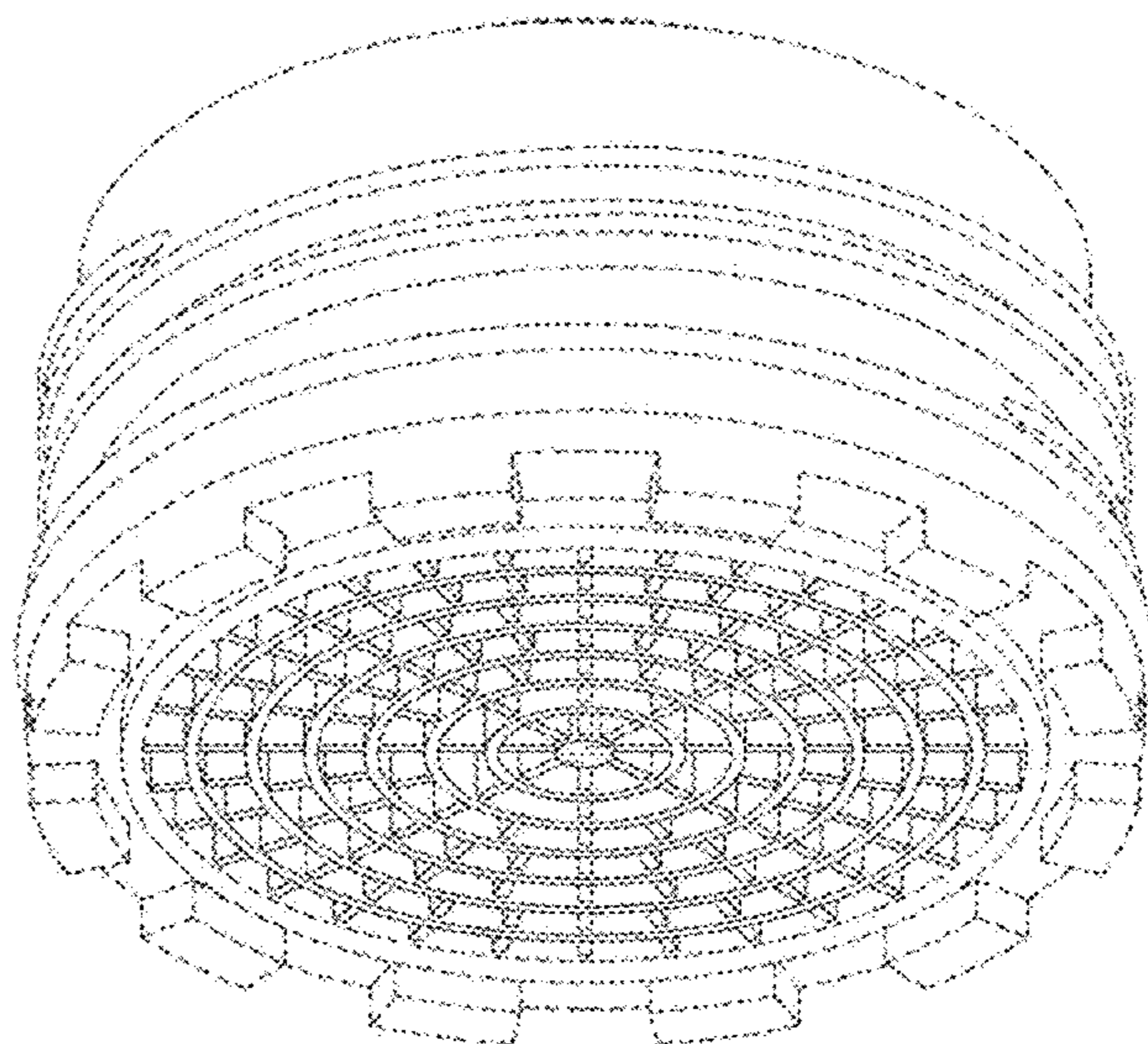
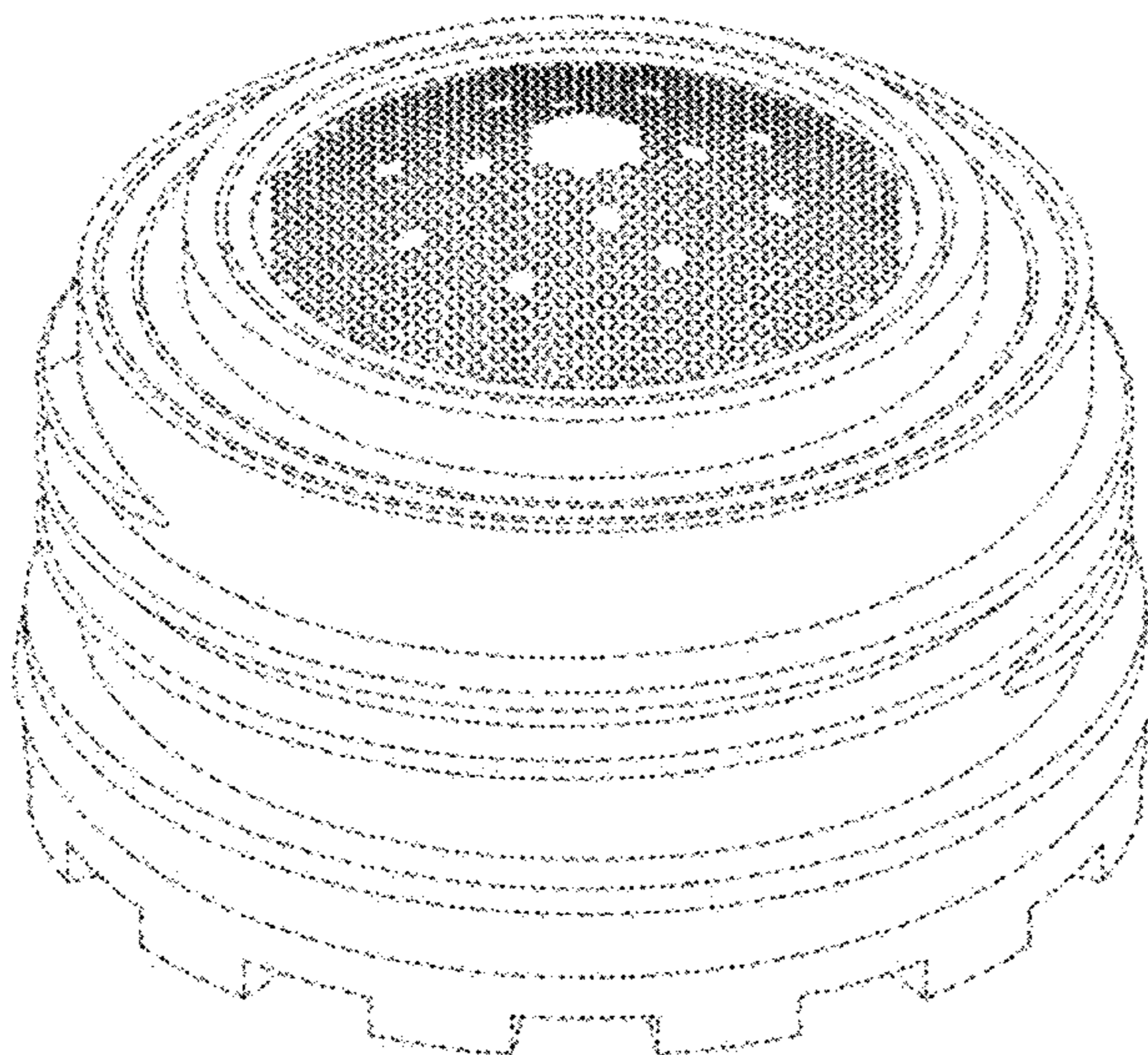
FIG. 6 is a left side elevational view thereof;

FIG. 7 is rear elevational view thereof; and,

FIG. 8 is a right side elevational view thereof.

The broken lines in the drawings depict portions of the jet regulator that form no part of the claimed design.

1 Claim, 8 Drawing Sheets



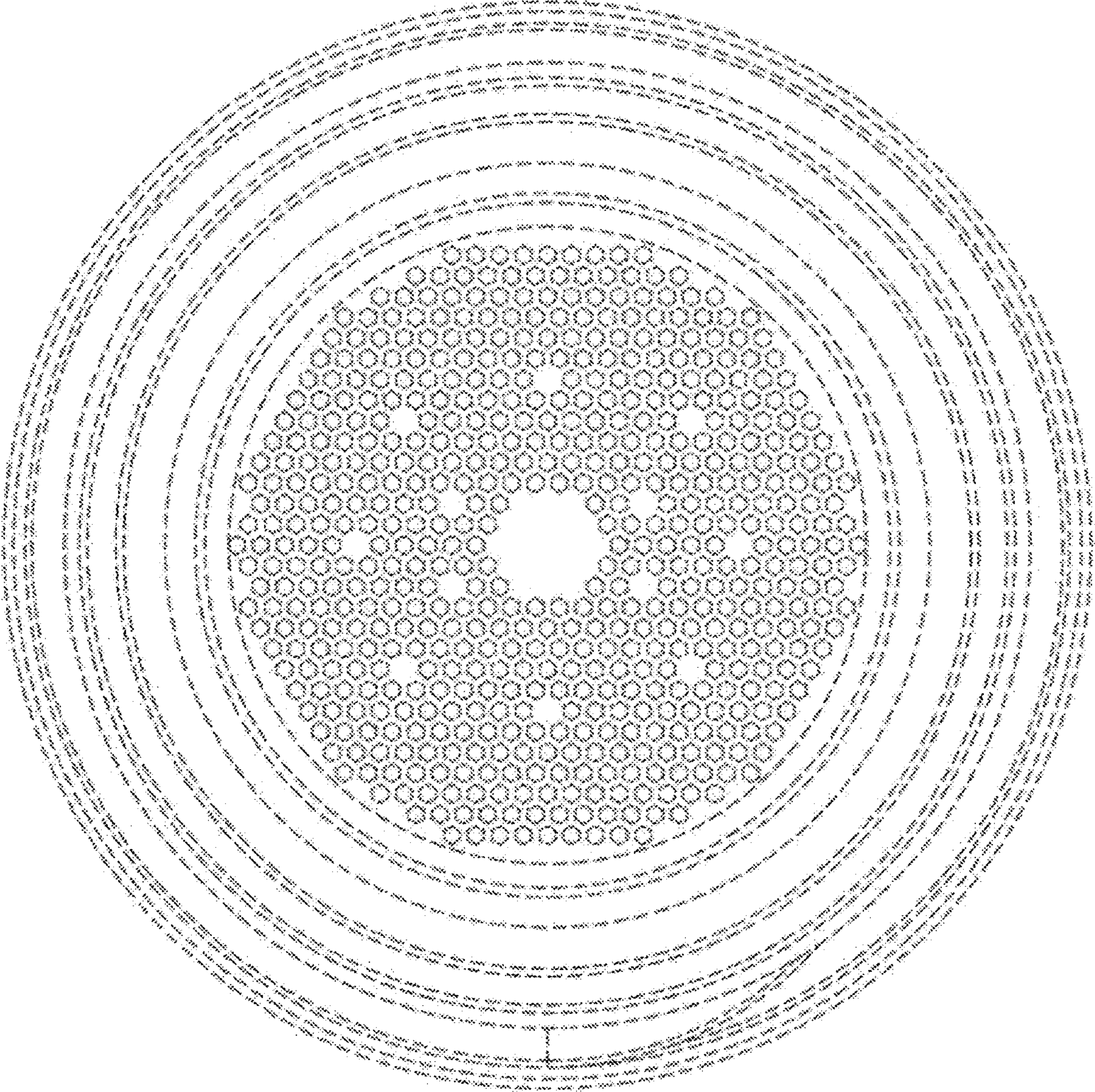


Fig. 1

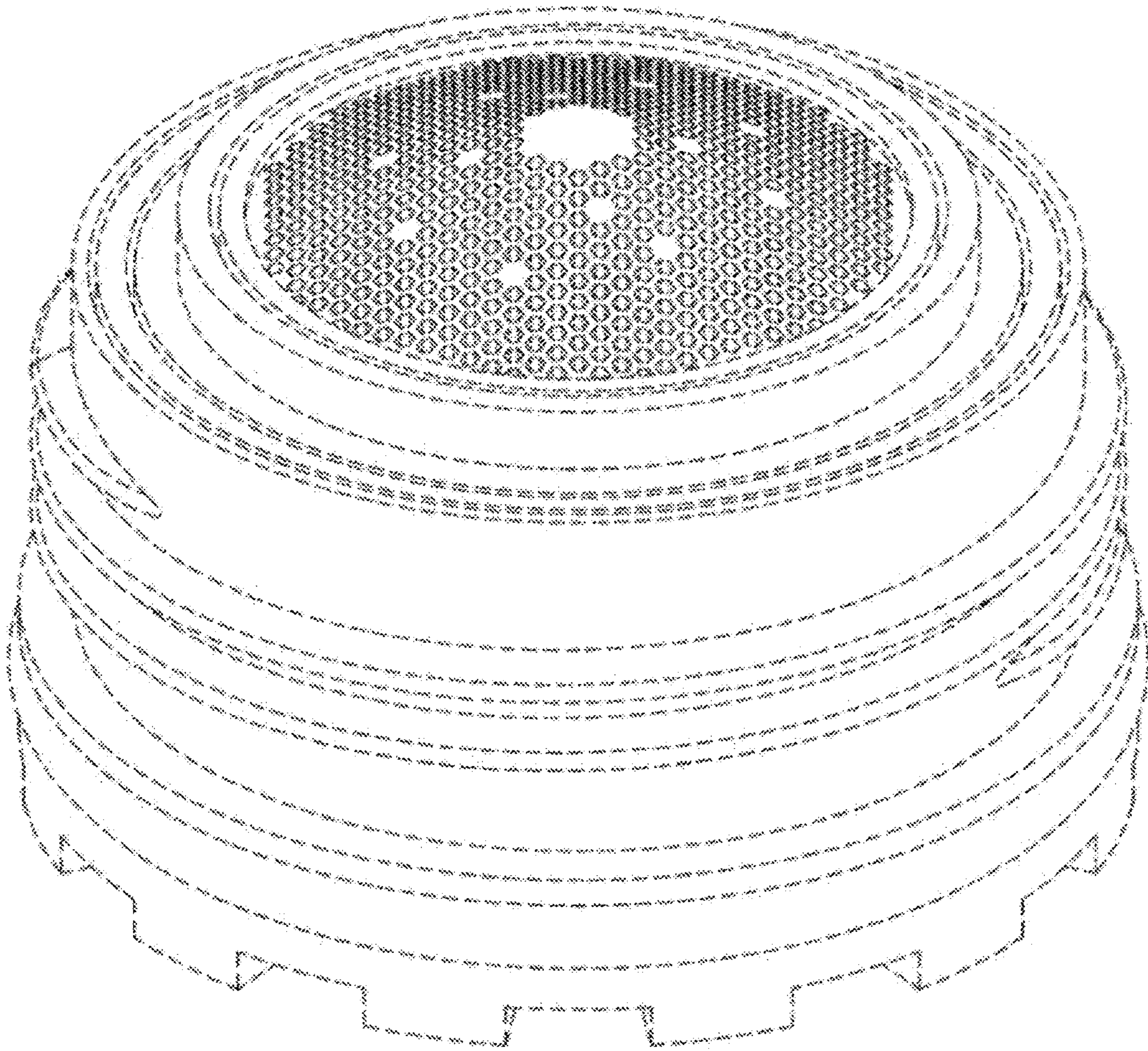


Fig. 2

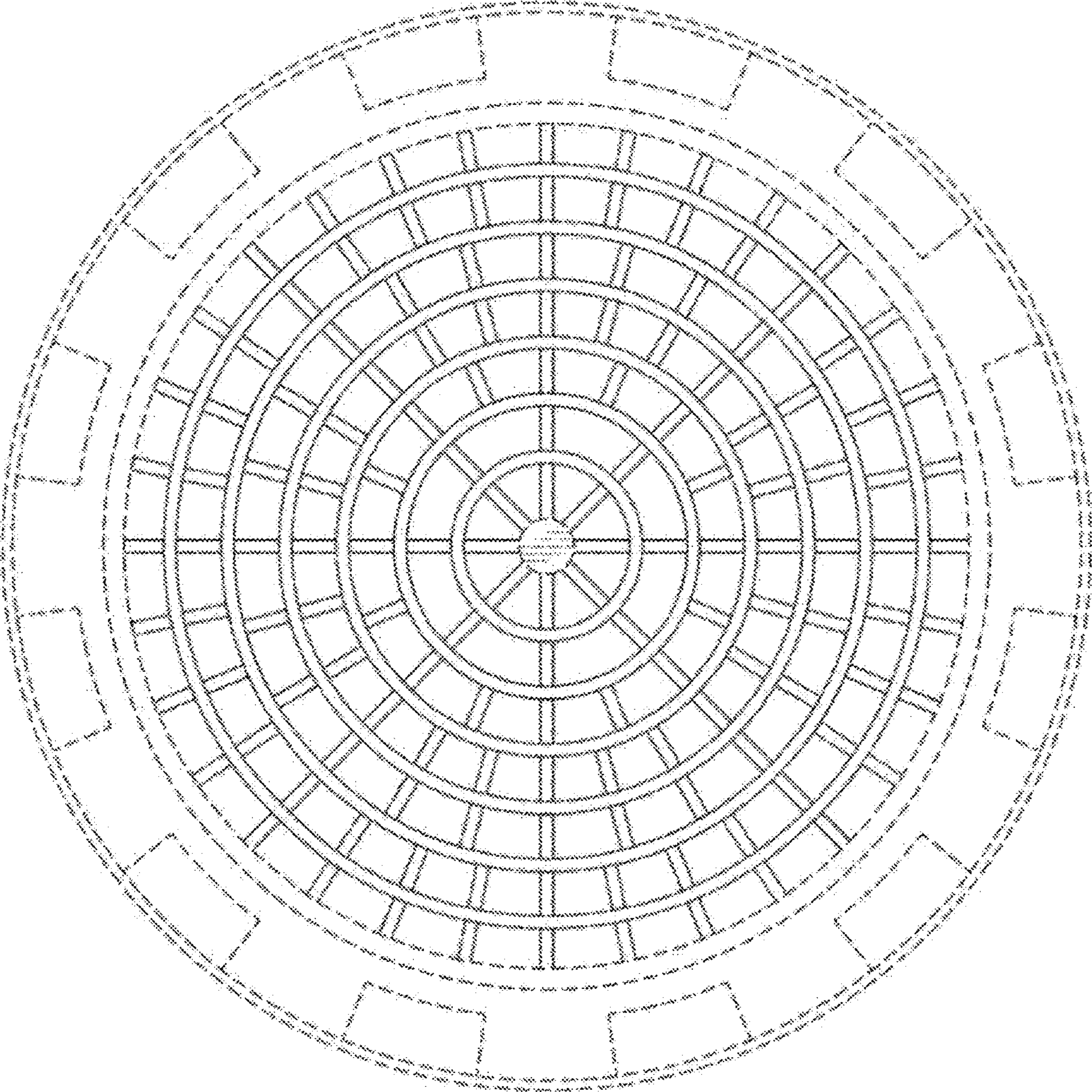


Fig. 3

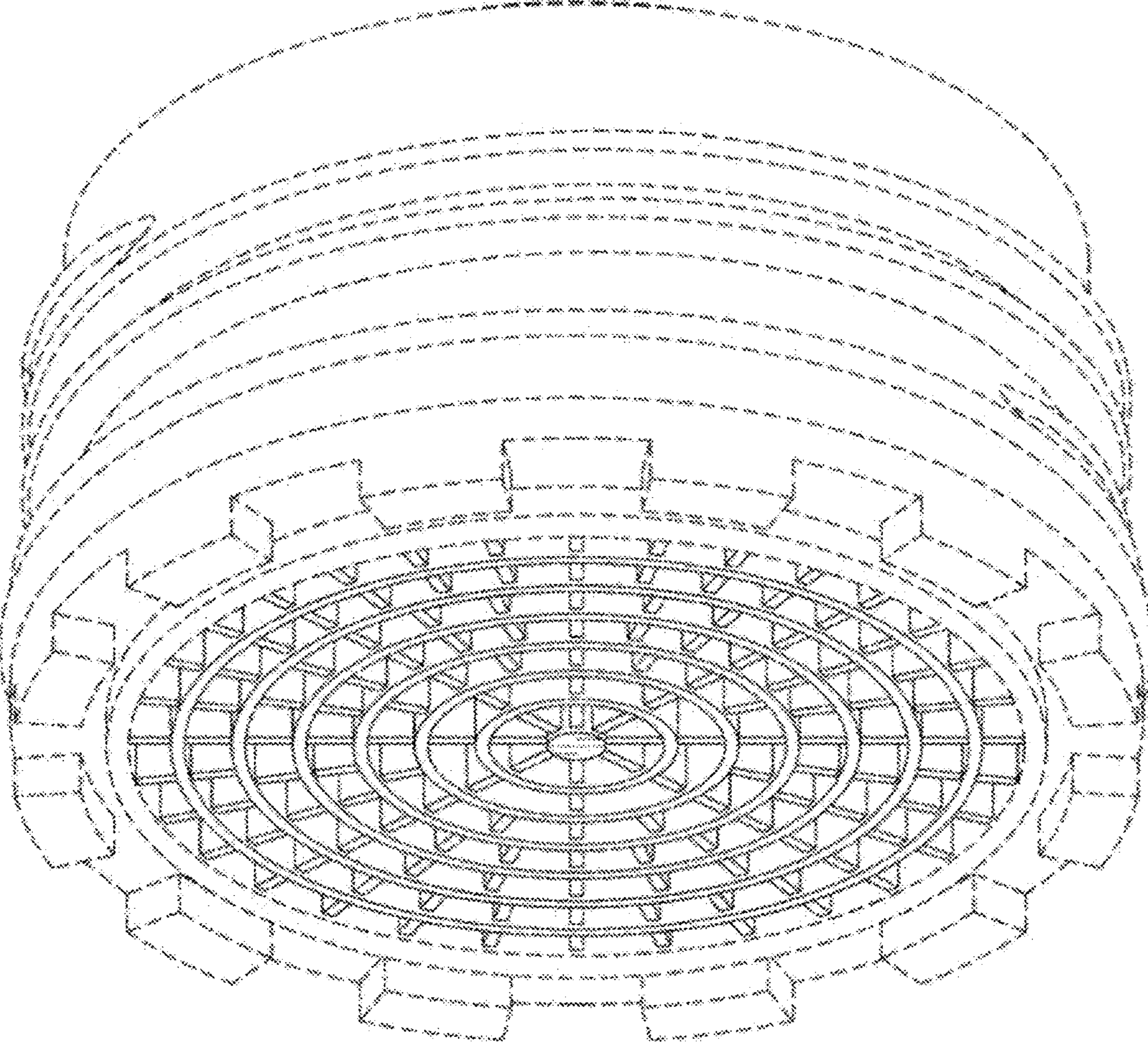


Fig. 4

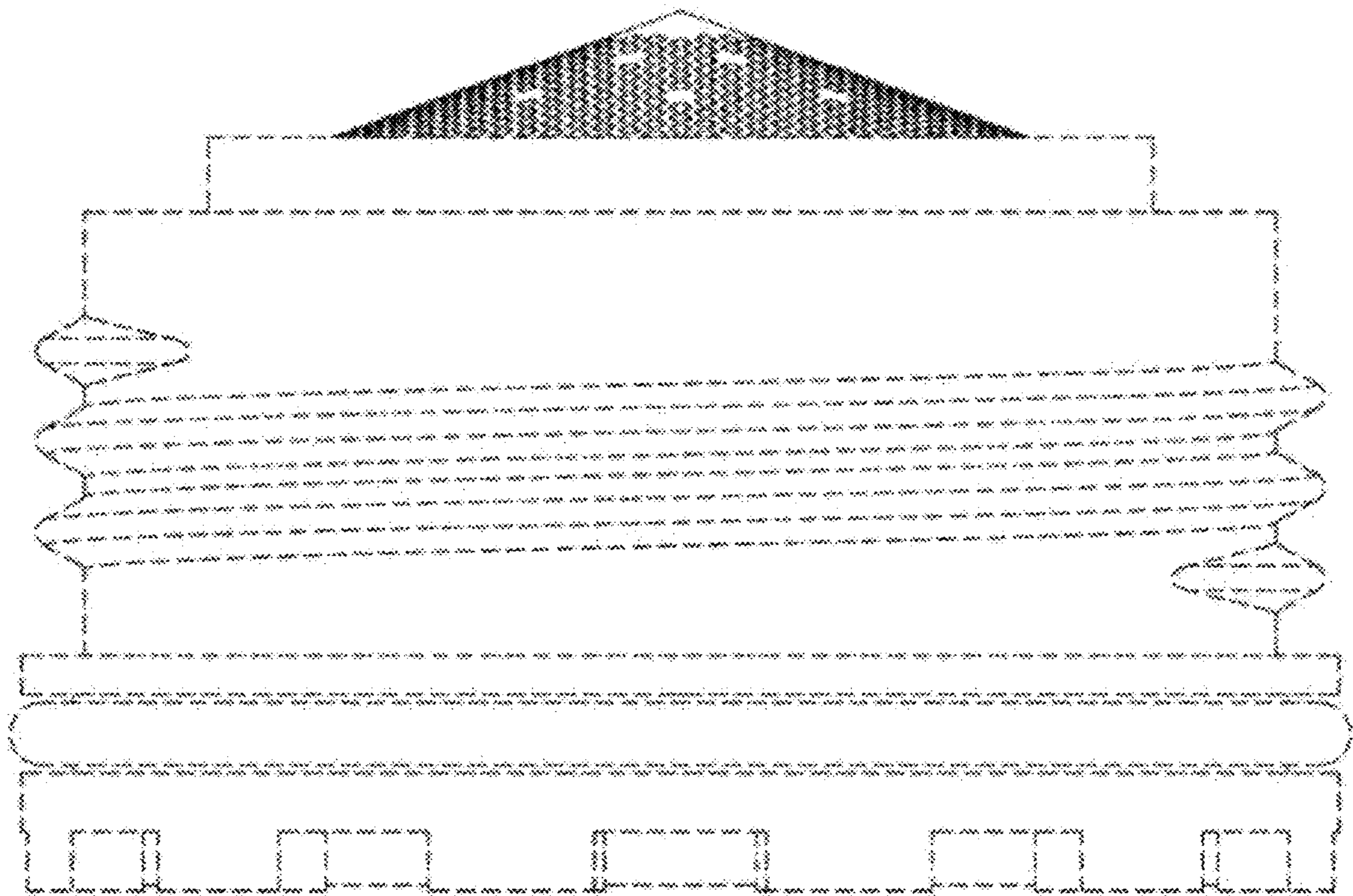


Fig. 5

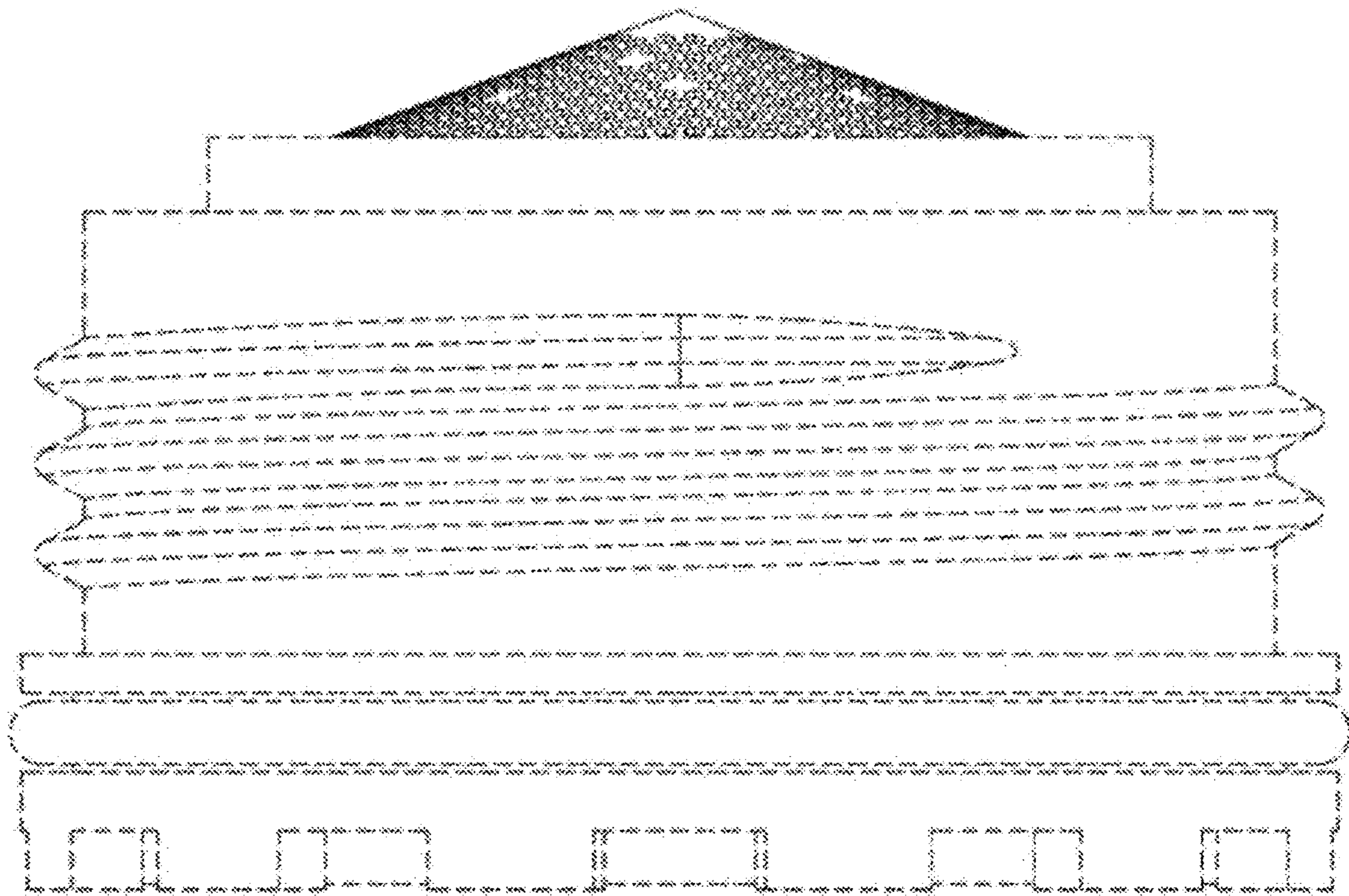


Fig. 6

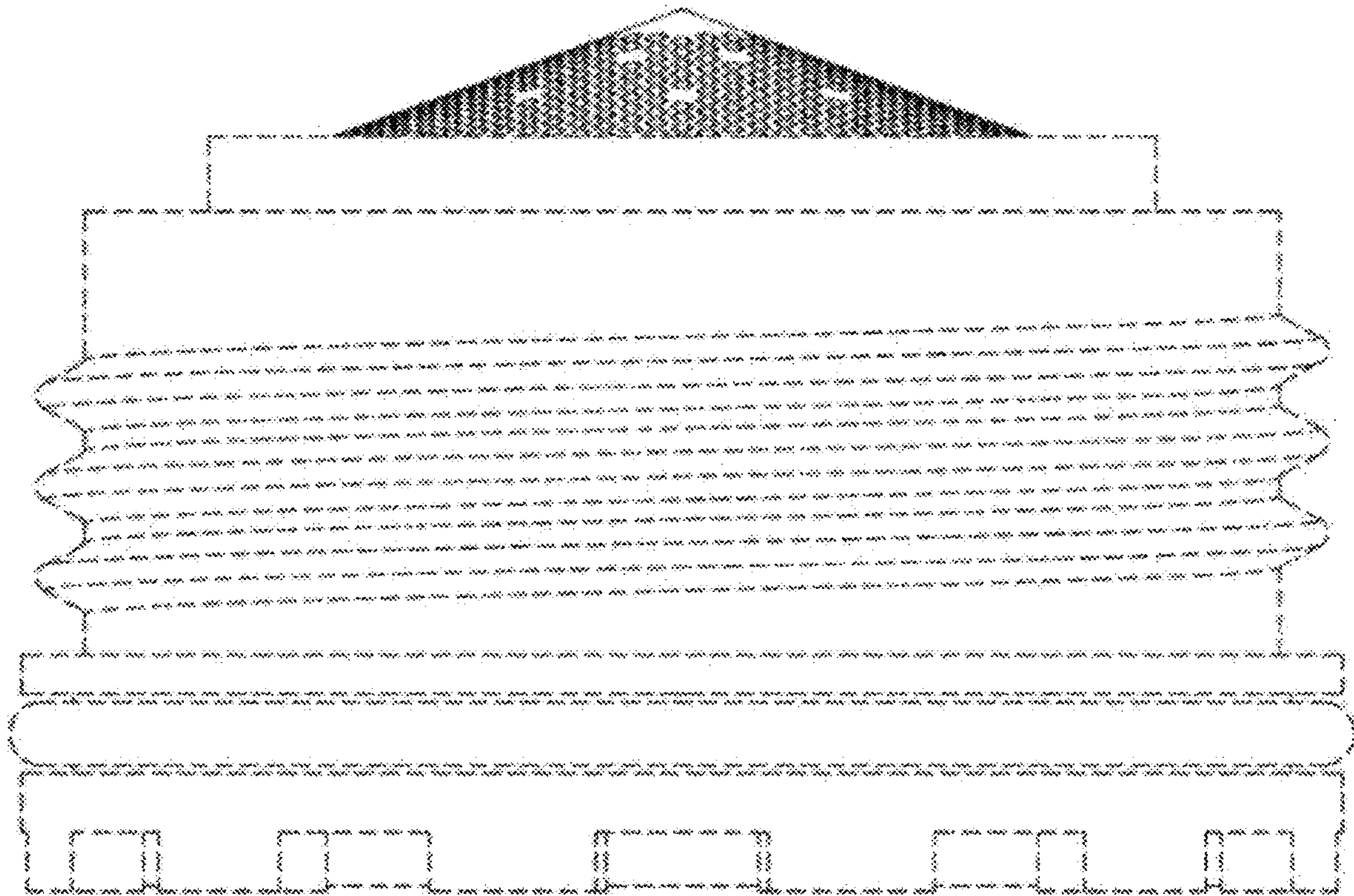


Fig. 7

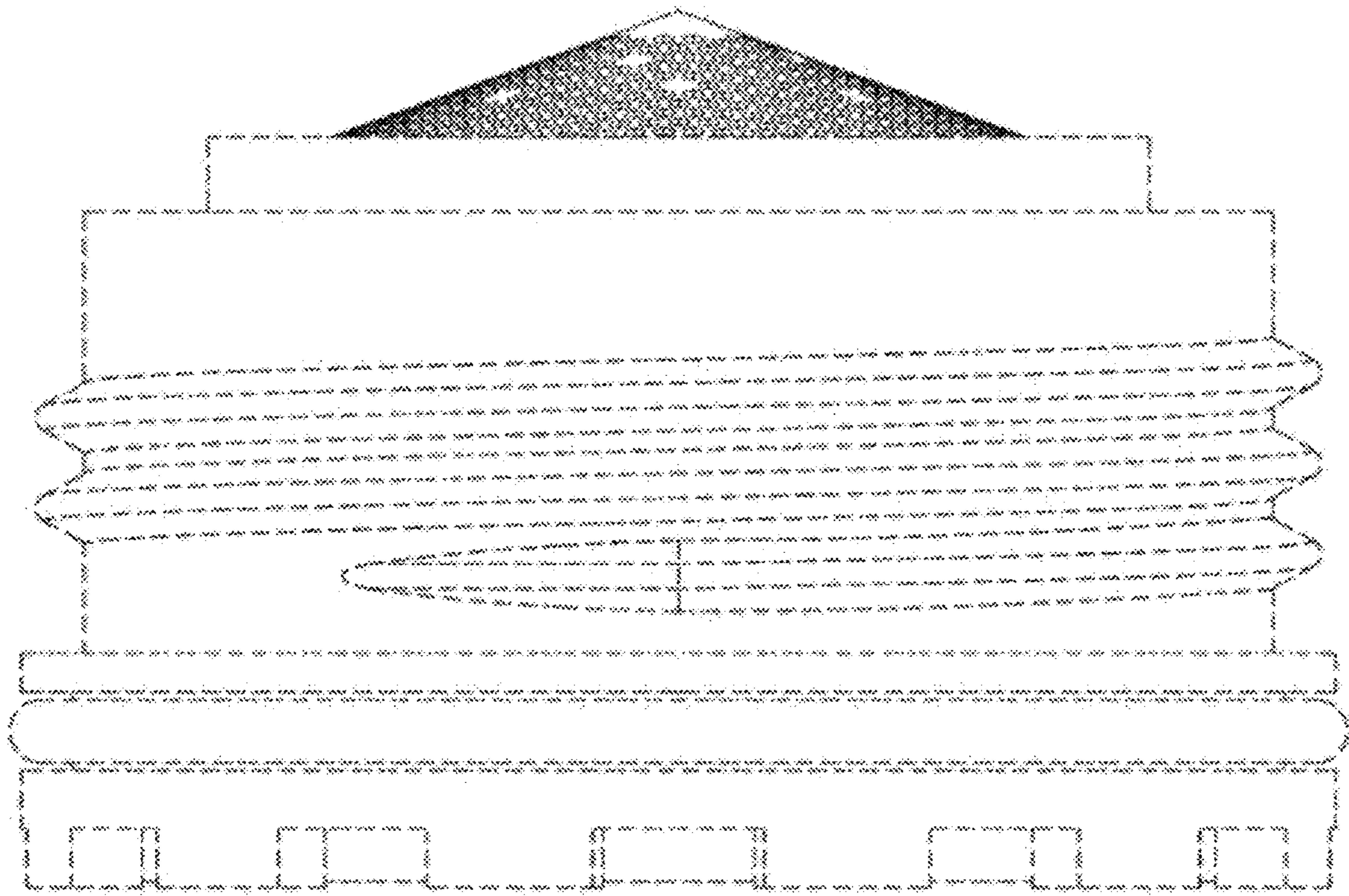


Fig. 8