



US00D887530S

(12) **United States Design Patent**  
**Park**

(10) **Patent No.:** **US D887,530 S**

(45) **Date of Patent:** **\*\* Jun. 16, 2020**

(54) **FAUCET HANDLE**  
(71) Applicant: **DELTA FAUCET COMPANY,**  
Indianapolis, IN (US)  
(72) Inventor: **Maris Park,** McCordsville, IN (US)  
(73) Assignee: **DELTA FAUCET COMPANY,**  
Indianapolis, IN (US)

(\*\*) Term: **15 Years**

(21) Appl. No.: **29/641,424**

(22) Filed: **Mar. 22, 2018**

(51) **LOC (12) Cl.** ..... **23-01**

(52) **U.S. Cl.**  
USPC ..... **D23/253**

(58) **Field of Classification Search**  
USPC ..... D23/238, 239, 240, 241, 242, 243, 249,  
D23/250, 252, 255, 257, 253; D8/350,  
D8/353, 307  
CPC ..... Y10T 137/9464; Y10T 137/6014; Y10T  
137/0491; E03C 1/02; E03C 1/04; E03C  
1/0404; E03C 1/042

See application file for complete search history.

(56) **References Cited**

**U.S. PATENT DOCUMENTS**

D296,815 S \* 7/1988 Jans ..... D23/252  
D323,019 S \* 1/1992 Paul ..... D23/250  
D474,957 S \* 5/2003 Singtoroj ..... D23/252

D522,623 S \* 6/2006 Koury ..... D23/252  
D522,624 S \* 6/2006 Koury ..... D23/252  
D524,414 S \* 7/2006 Marcichow ..... D23/238  
D532,872 S \* 11/2006 Miyamoto ..... D23/241  
D573,232 S \* 7/2008 Dolan ..... D23/252  
D589,122 S \* 3/2009 Lai ..... D23/250  
D627,441 S \* 11/2010 Sedwick ..... D23/252  
D663,805 S \* 7/2012 Downey ..... D23/252

\* cited by examiner

*Primary Examiner* — Sheryl Lane

*Assistant Examiner* — Samantha N Wood

(74) *Attorney, Agent, or Firm* — Nirav D. Parikh; Edgar  
A. Zarins

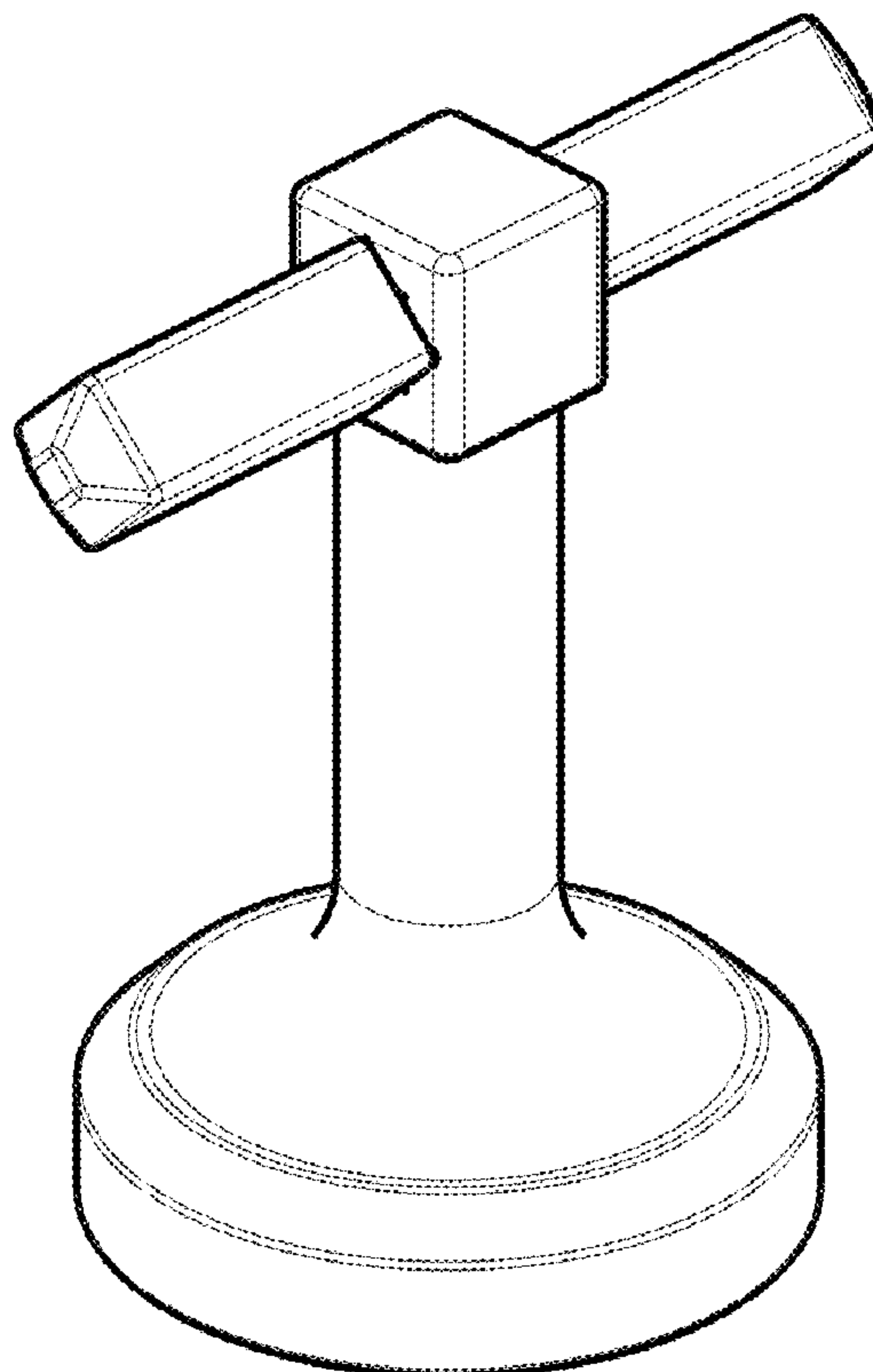
(57) **CLAIM**

The ornamental design for a faucet handle, as shown and  
described.

**DESCRIPTION**

FIG. 1 is a first perspective view of a faucet handle showing  
my new design;  
FIG. 2 is a second perspective view thereof;  
FIG. 3 is a front elevational view thereof;  
FIG. 4 is a first side view thereof;  
FIG. 5 is a rear view thereof;  
FIG. 6 is a second side view thereof;  
FIG. 7 is a top end view thereof; and,  
FIG. 8 is a bottom end view thereof.  
Portions of the faucet handle shown in broken lines form no  
part of the claimed design.

**1 Claim, 4 Drawing Sheets**



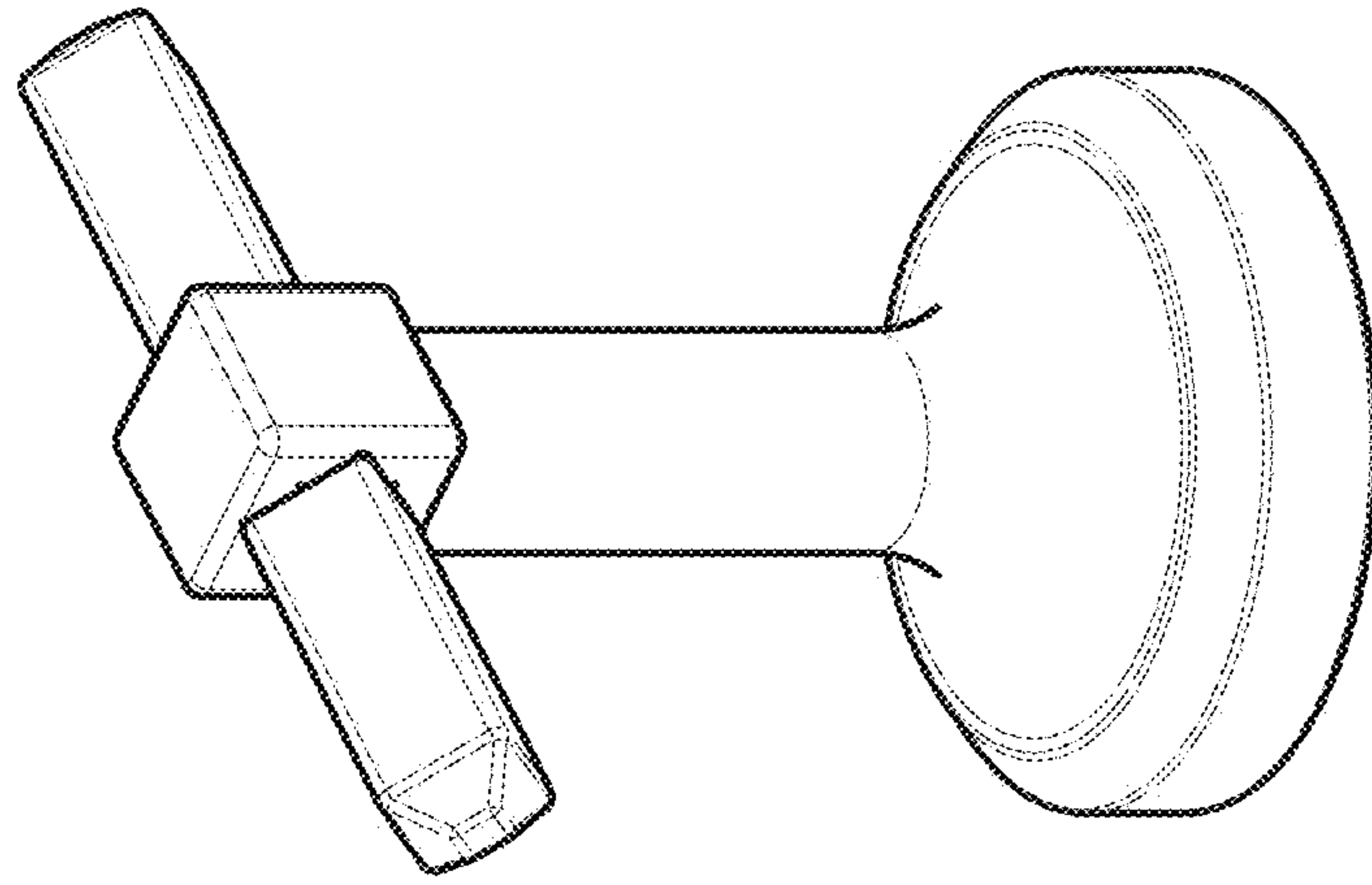


FIG. 2

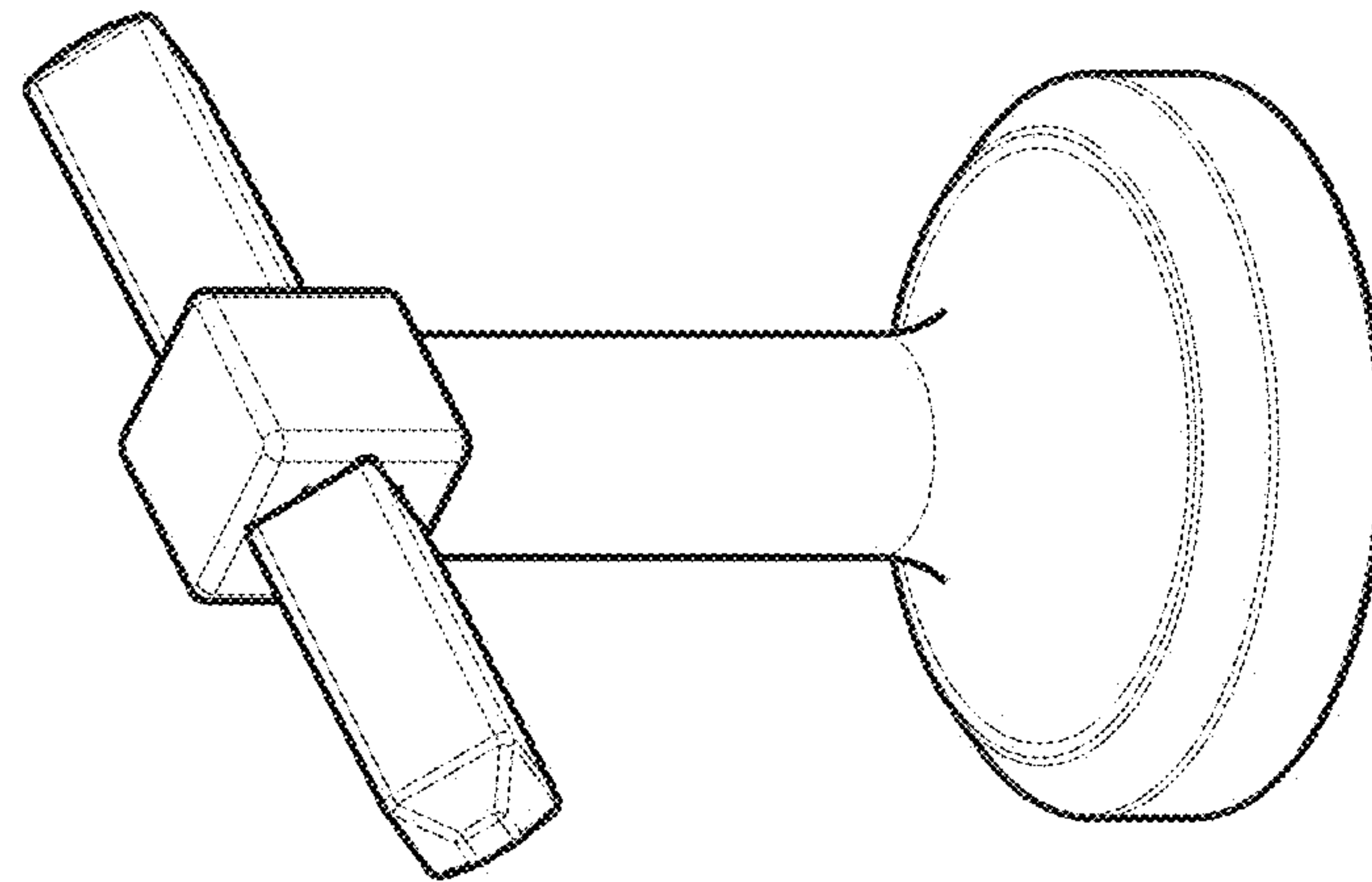


FIG. 1

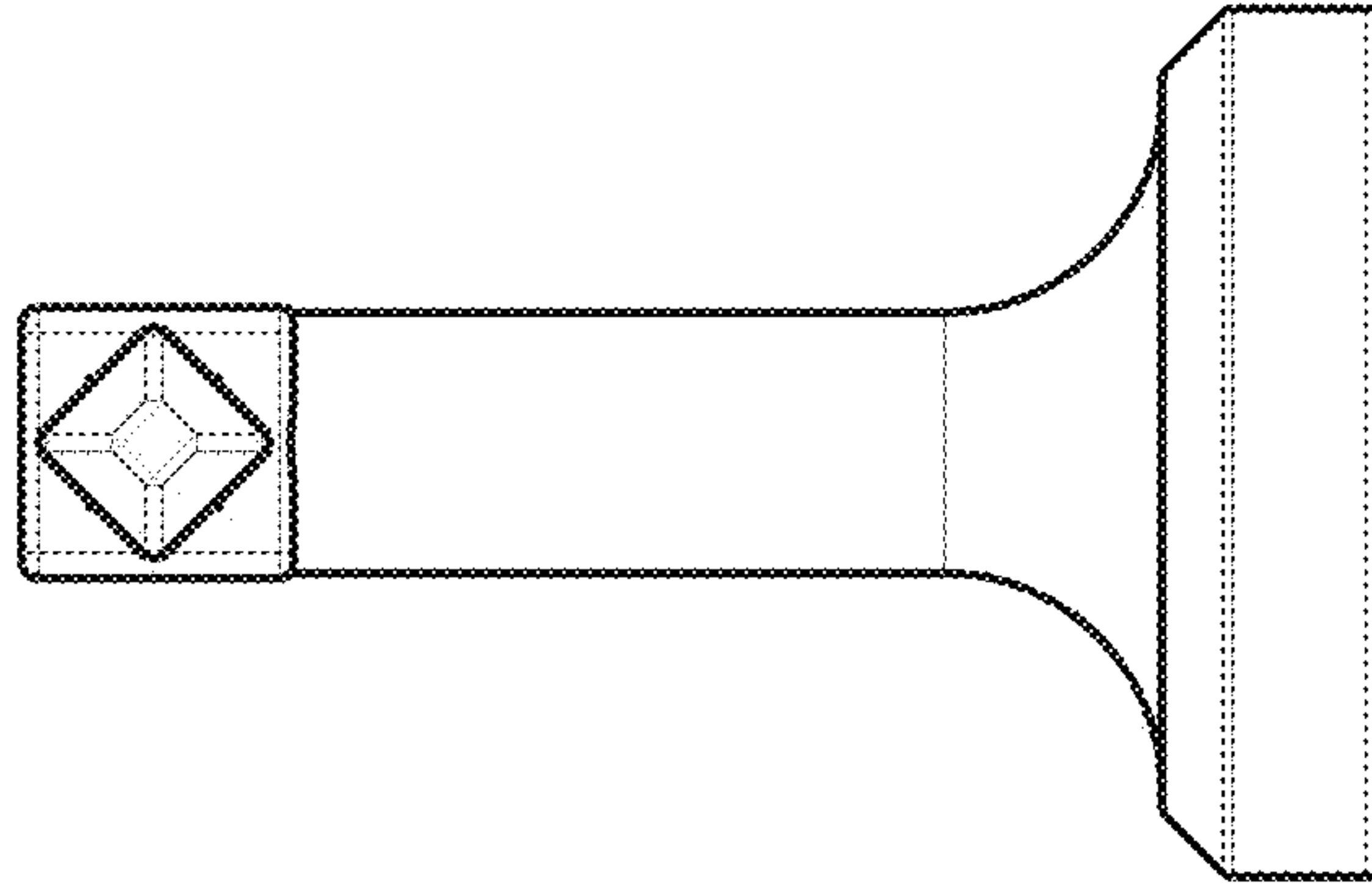


Fig. 4

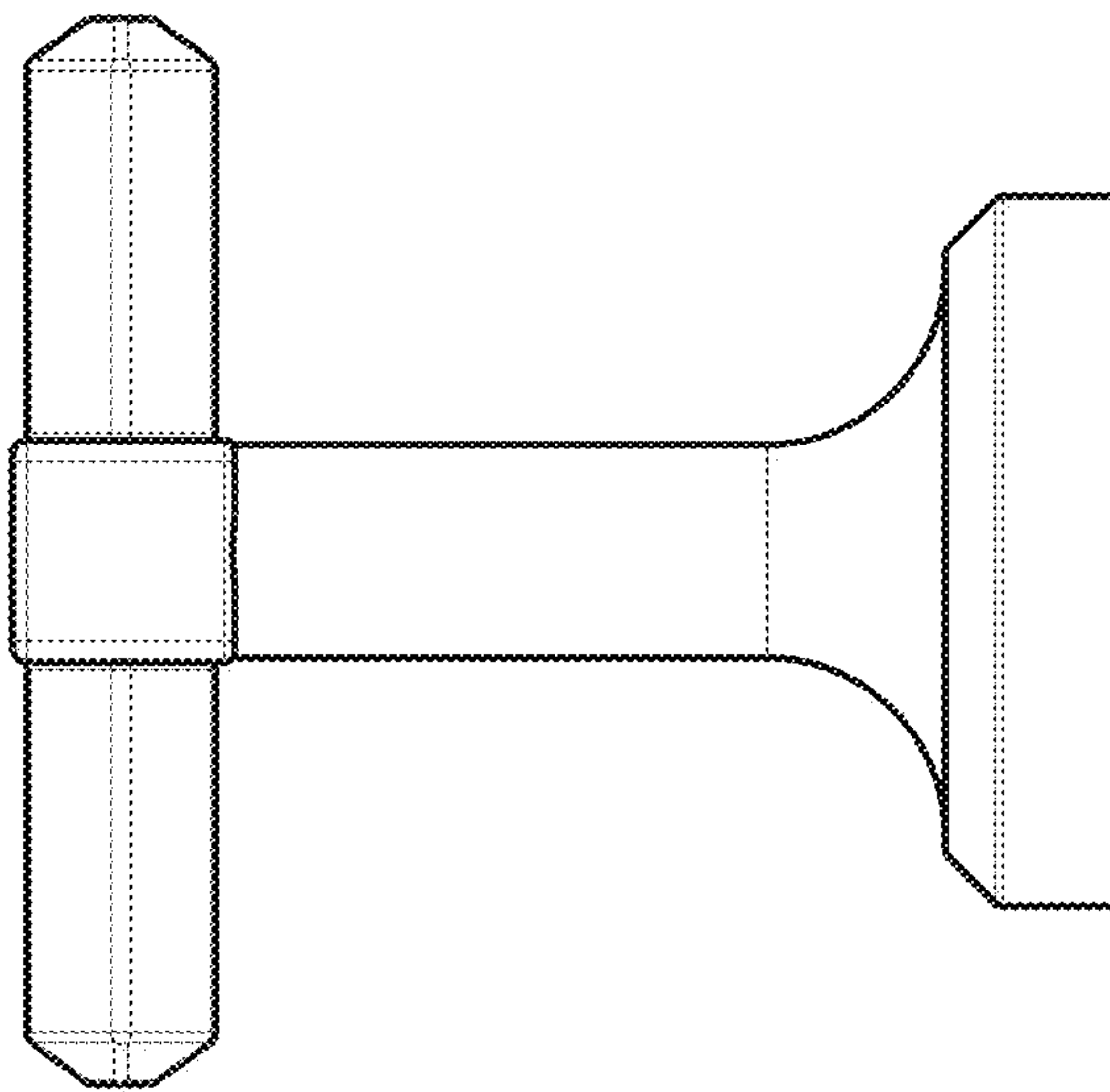


Fig. 3

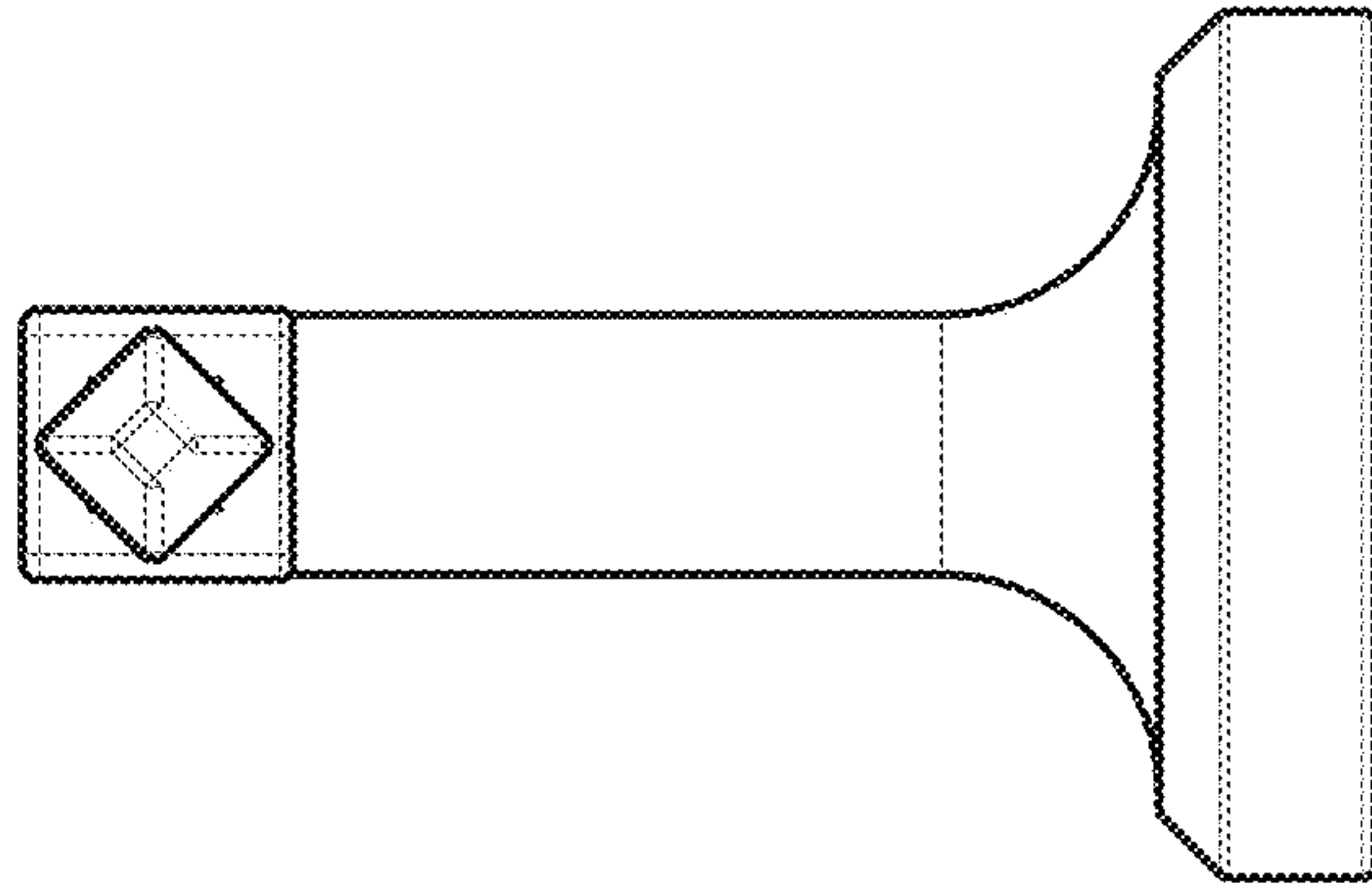


Fig. 6

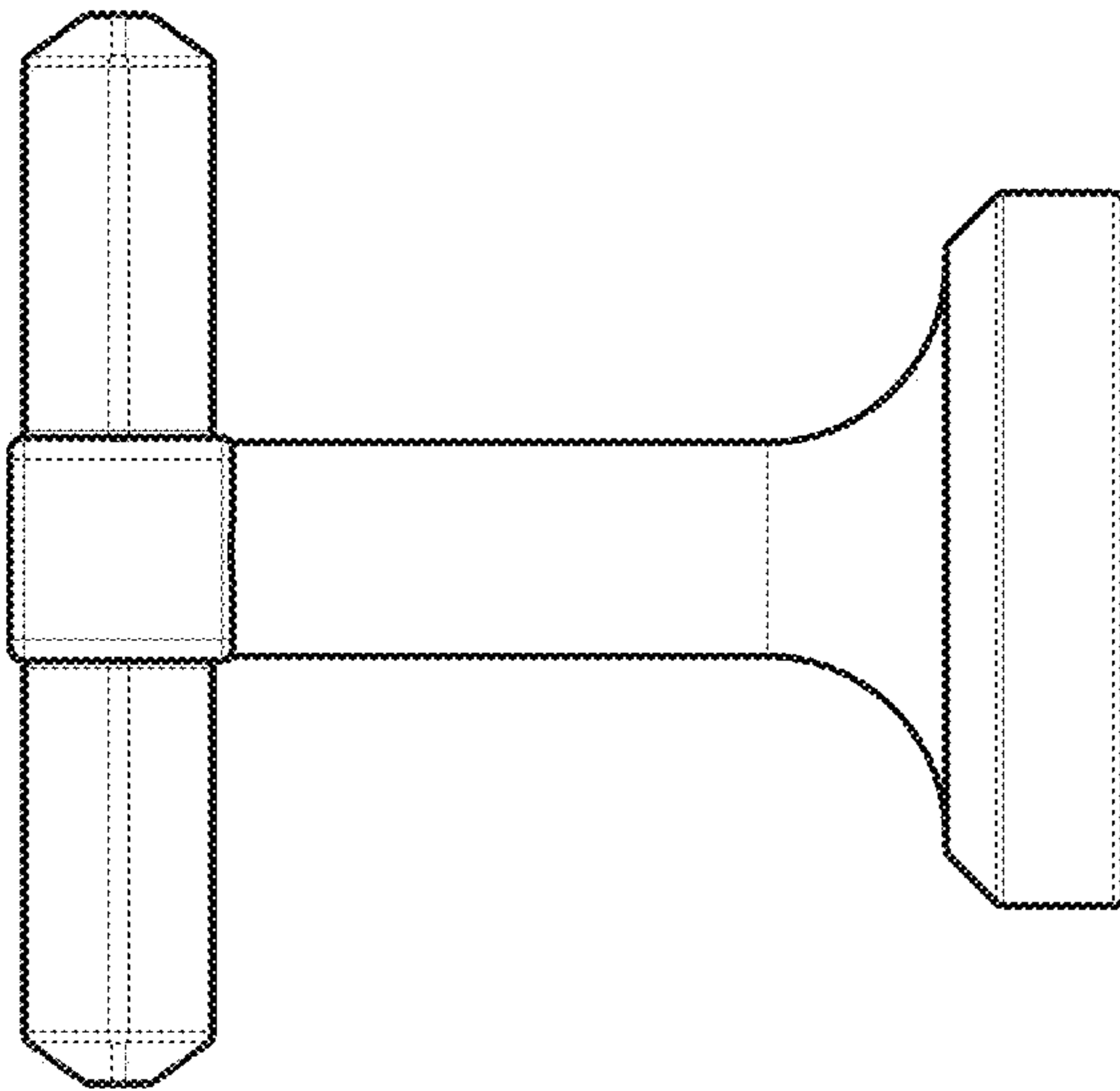


Fig. 5

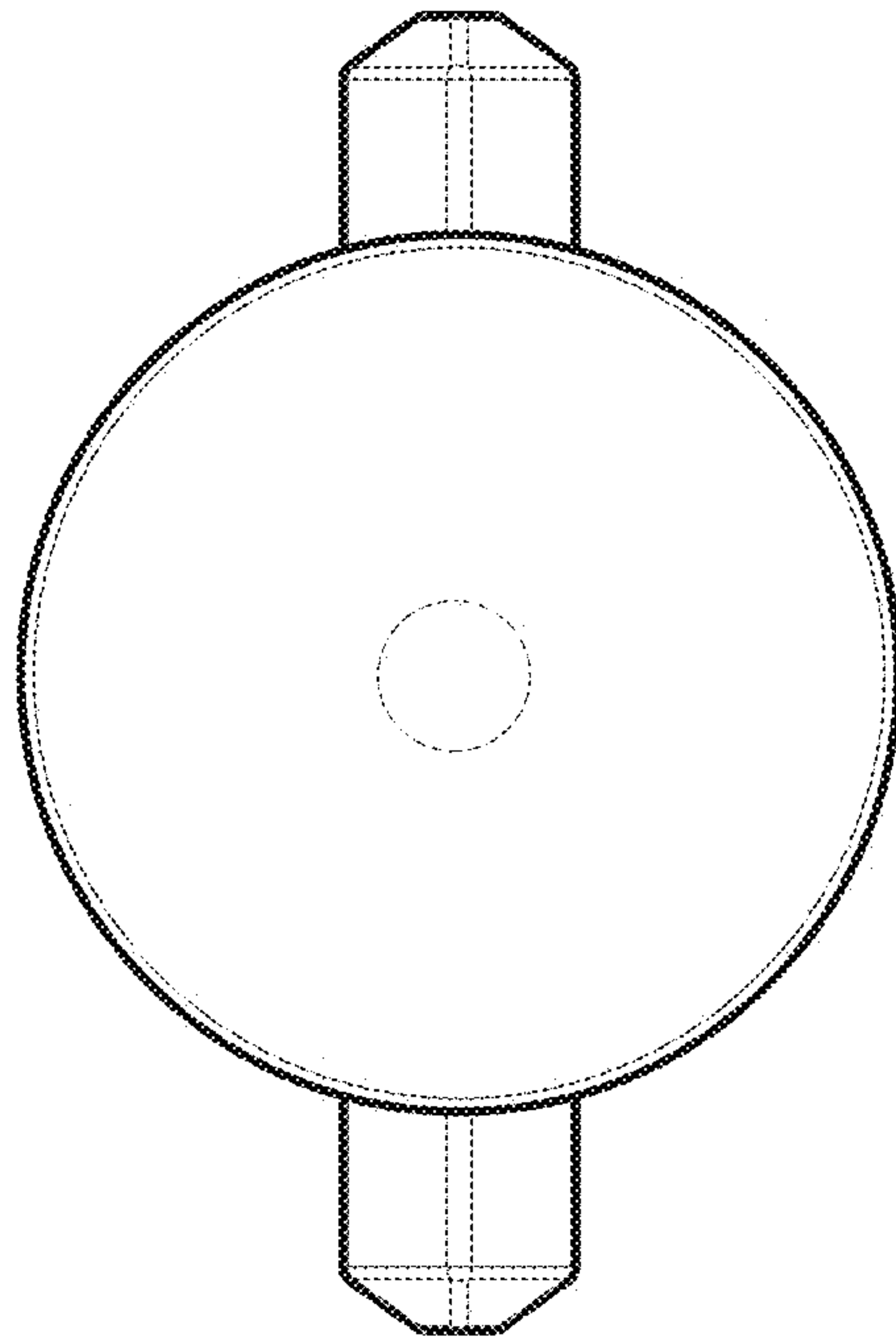


Fig. 8

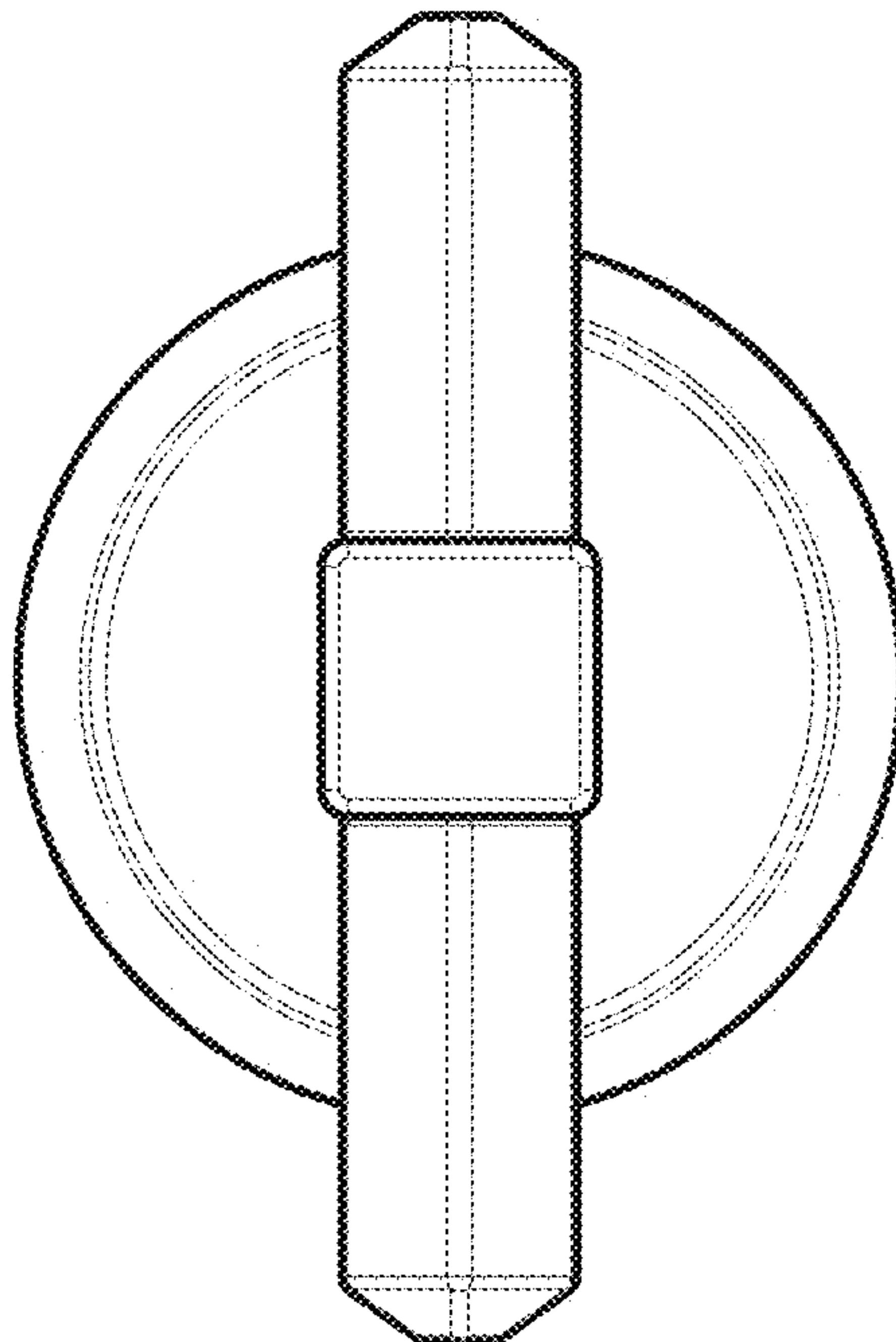


Fig. 7