



US00D887529S

(12) **United States Design Patent**
Asaba

(10) **Patent No.:** **US D887,529 S**
(45) **Date of Patent:** **** Jun. 16, 2020**

(54) **FLUID PRESSURE CYLINDER WITH SOLENOID VALVE**

D765,821 S * 9/2016 Asaba D23/233
D802,716 S * 11/2017 Asaba D23/233
10,316,868 B2 * 6/2019 Asaba F15B 15/1404

(71) Applicant: **SMC CORPORATION**, Tokyo (JP)

FOREIGN PATENT DOCUMENTS

(72) Inventor: **Tsuyoshi Asaba**, Abiko (JP)

JP 1031537 S 2/1999
JP 1179460 S 7/2003
JP 1416802 S 6/2011
JP 1514079 S 12/2014
JP 1601258 S 4/2018

(73) Assignee: **SMC CORPORATION**, Tokyo (JP)

(**) Term: **15 Years**

* cited by examiner

(21) Appl. No.: **29/681,891**

Primary Examiner — Gino Colan

(22) Filed: **Feb. 28, 2019**

(74) *Attorney, Agent, or Firm* — Birch, Stewart, Kolasch & Birch, LLP

(30) **Foreign Application Priority Data**

Sep. 11, 2018 (JP) 2018-019742

(51) **LOC (12) Cl.** **23-01**

(52) **U.S. Cl.**

USPC **D23/233**

(58) **Field of Classification Search**

USPC D23/233, 235

CPC .. F16K 31/0675; F16K 27/029; F16K 27/048;

F16K 31/082; F16K 11/24; F02M

63/0017; F02M 51/061; F02M 59/366;

F15B 15/1447; F15B 15/149; F15B

15/1457; F15B 15/2861; F15B 13/0817;

F15B 15/223; F15B 2211/327; F15B

2211/426; F15B 2211/6313; F16J 10/02;

F16J 1/12

See application file for complete search history.

(56) **References Cited**

U.S. PATENT DOCUMENTS

D556,861 S * 12/2007 Yokohari D23/233

D681,163 S 4/2013 Asaba

D681,164 S 4/2013 Asaba

D687,516 S * 8/2013 Asaba D10/85

D687,928 S * 8/2013 Asaba D10/85

D687,929 S * 8/2013 Asaba D10/85

(57) **CLAIM**

The ornamental design for a fluid pressure cylinder with solenoid valve, as shown and described.

DESCRIPTION

FIG. 1 is a front, top and right side perspective view of a fluid pressure cylinder with solenoid valve showing my new design;

FIG. 2 is a rear, bottom and left side perspective view thereof;

FIG. 3 is a front, bottom and left side perspective view thereof;

FIG. 4 is a front view thereof;

FIG. 5 is a rear view thereof;

FIG. 6 is a top plan view thereof;

FIG. 7 is a bottom plan view thereof;

FIG. 8 is a left side view thereof;

FIG. 9 is a right side view thereof; and,

FIG. 10 is a sectional view taken along the line 10-10 of FIG. 4.

The broken lines depict portions of the fluid pressure cylinder with solenoid valve that form no part of the claimed design.

1 Claim, 10 Drawing Sheets

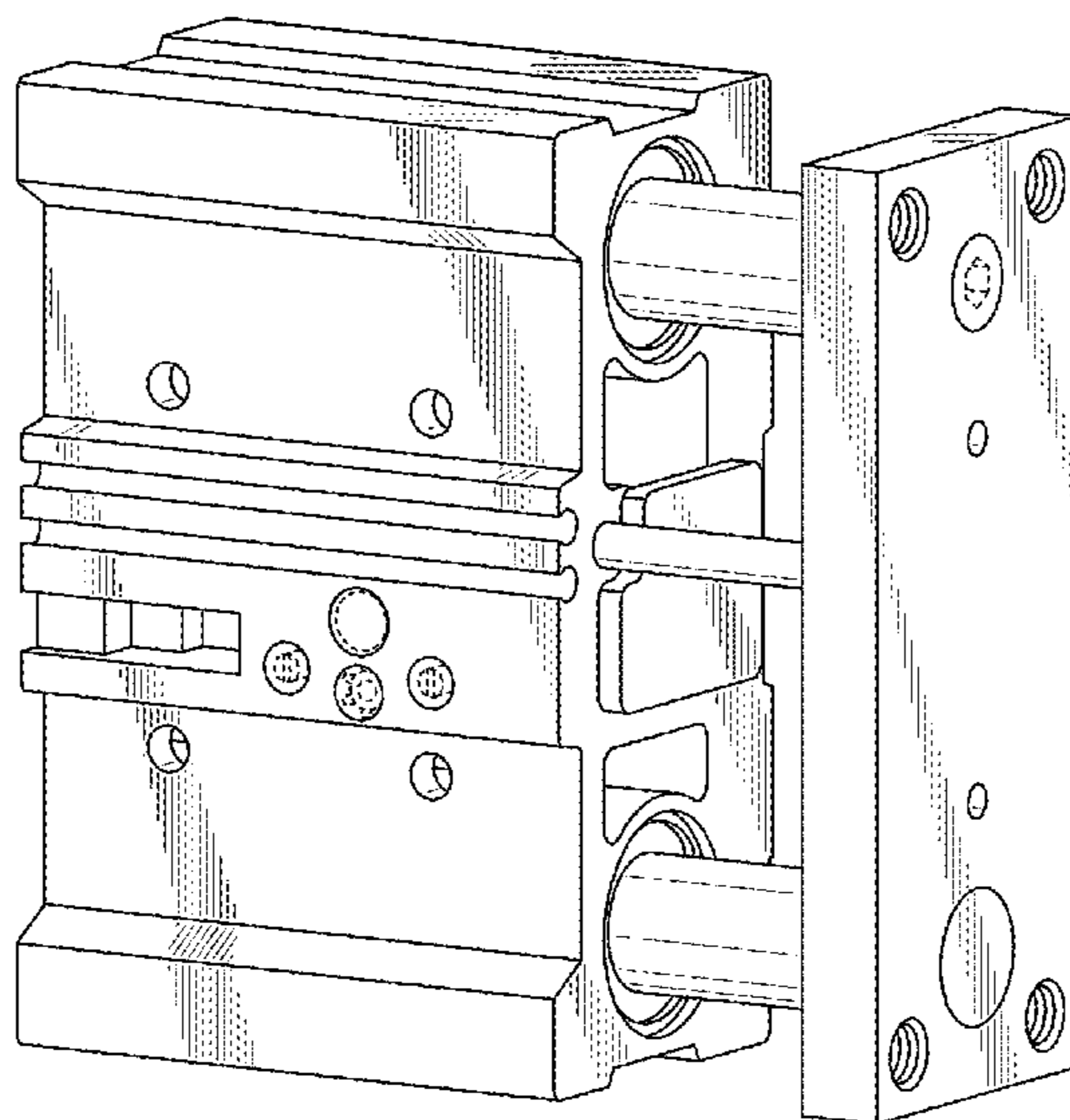


FIG. 1

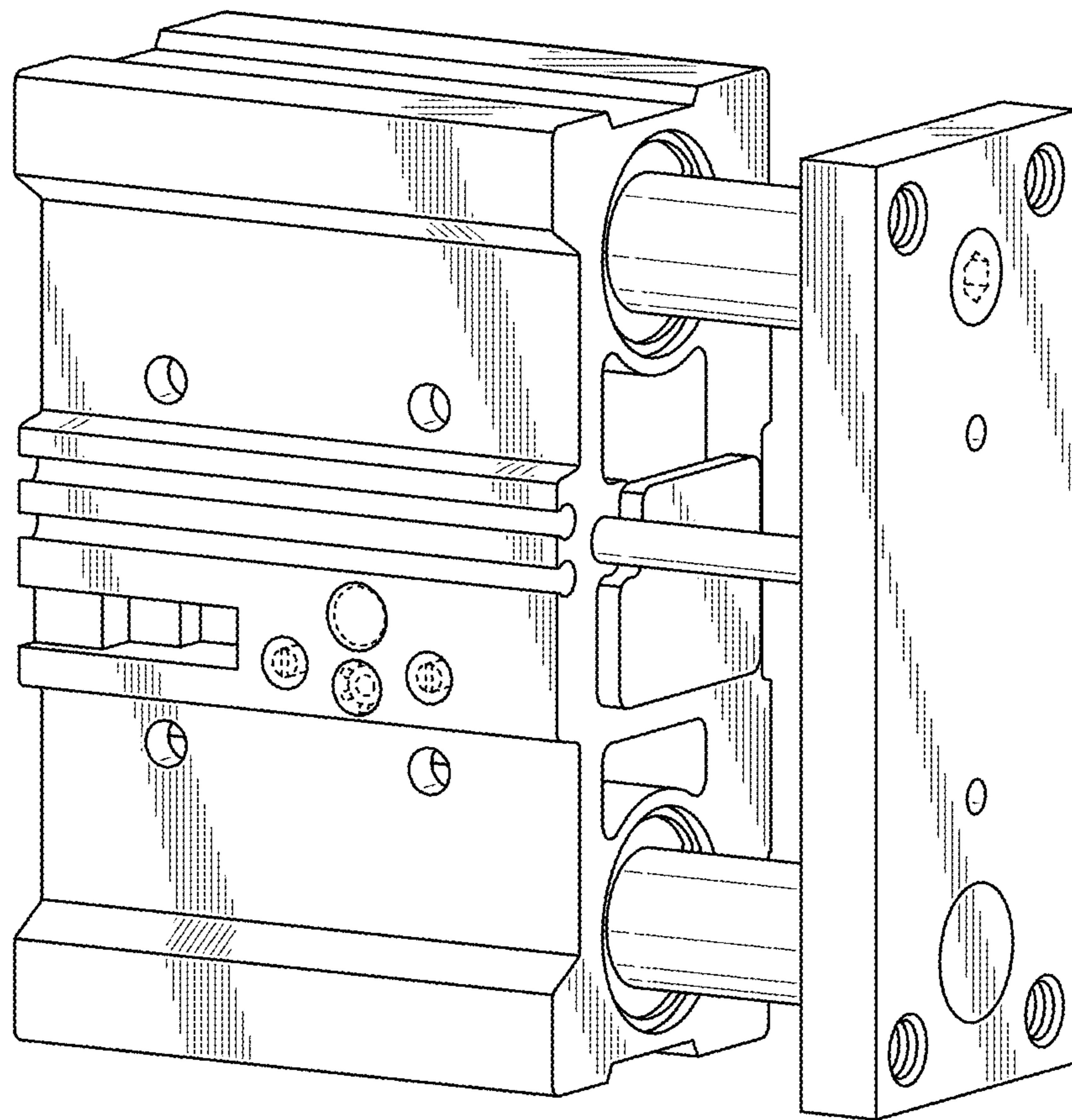


FIG. 2

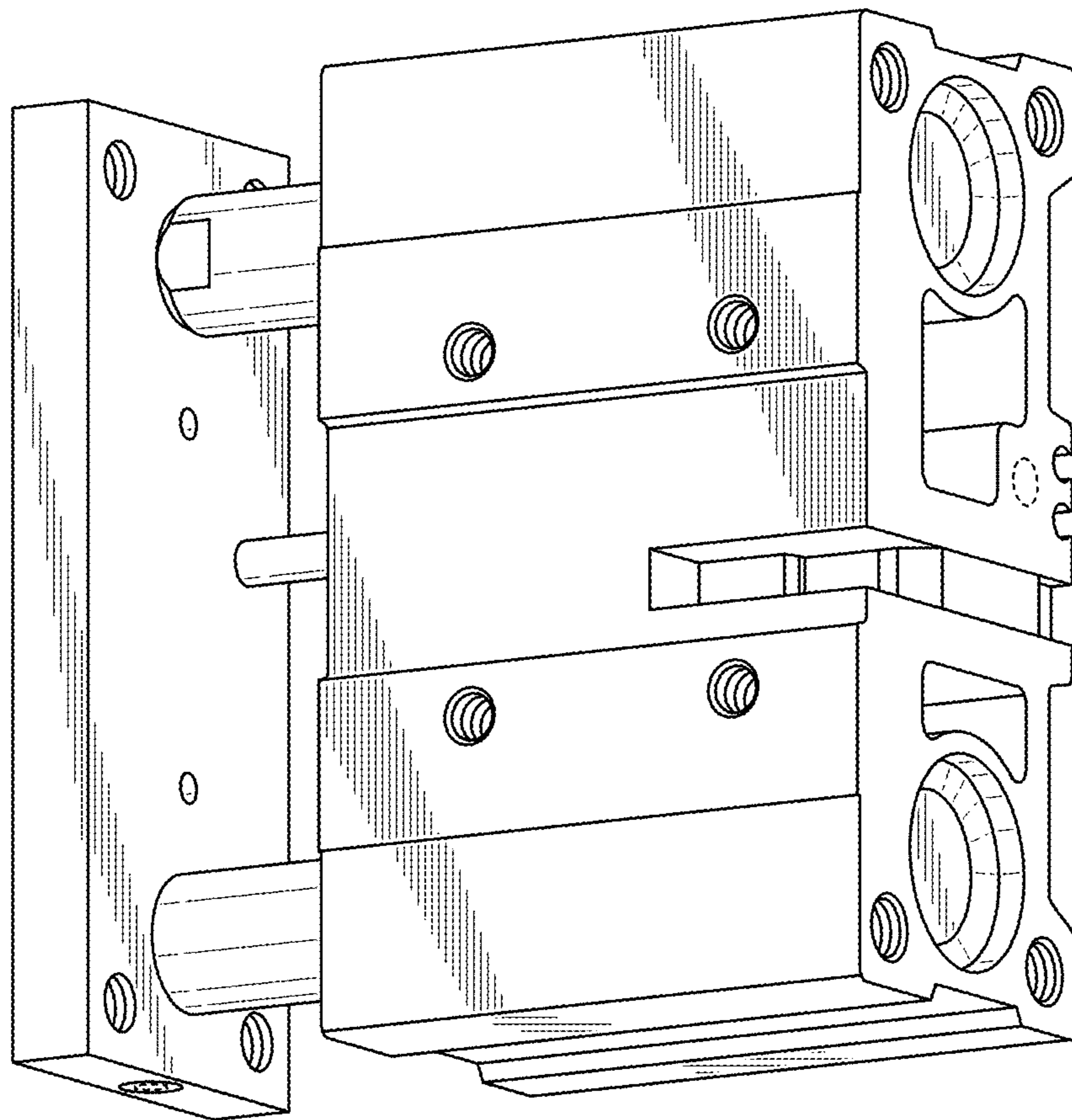


FIG. 3

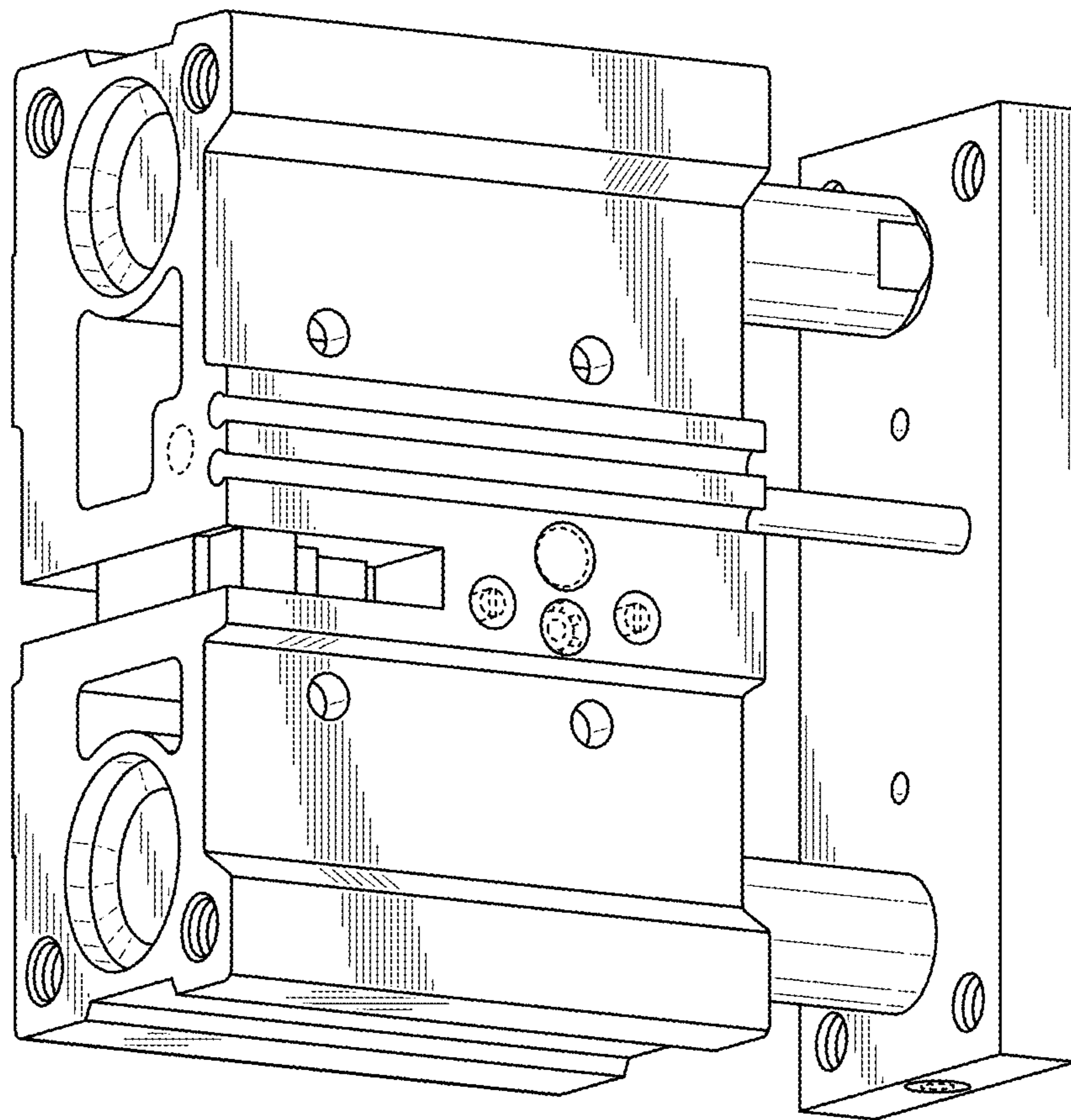


FIG. 4

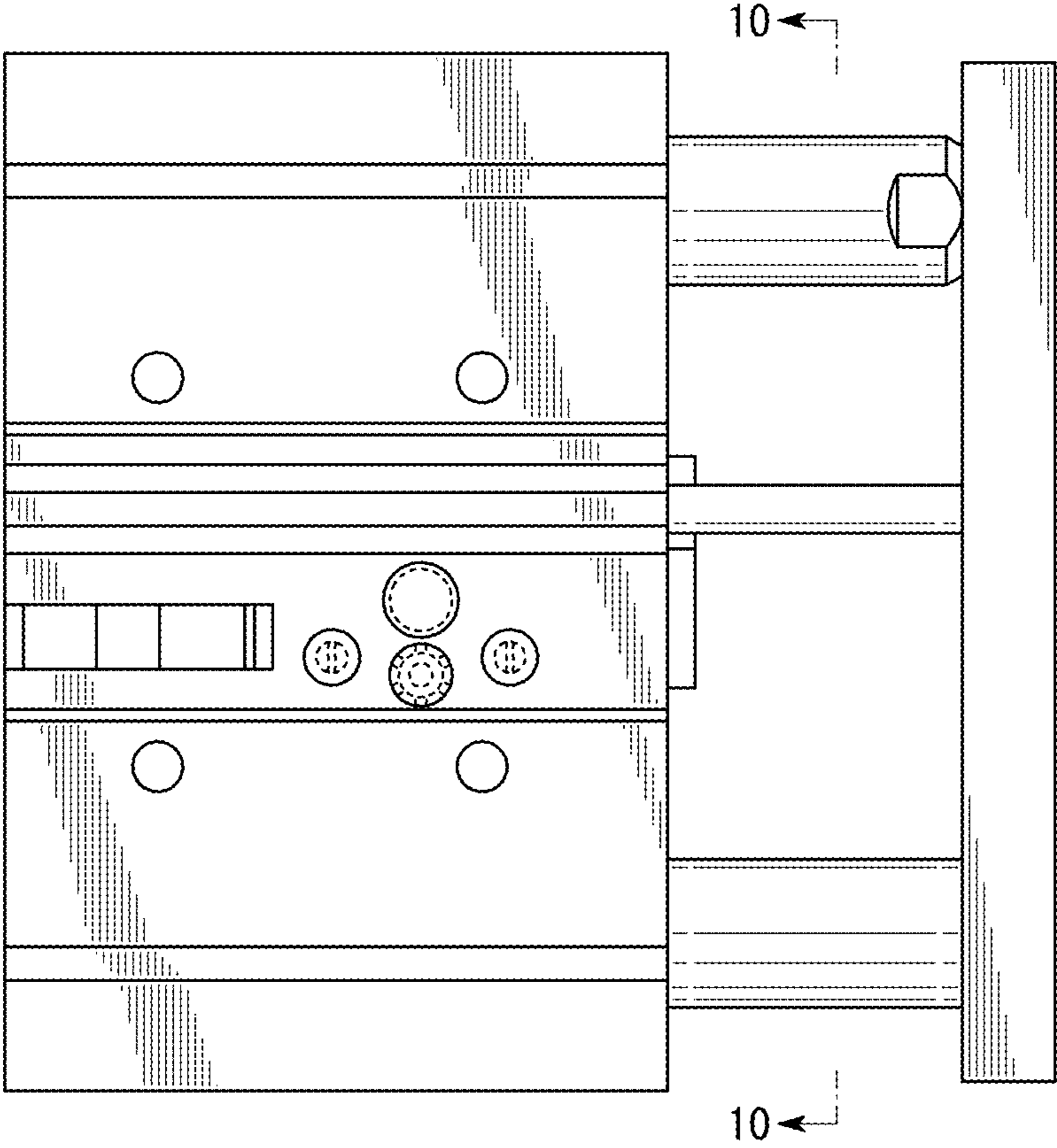


FIG. 5

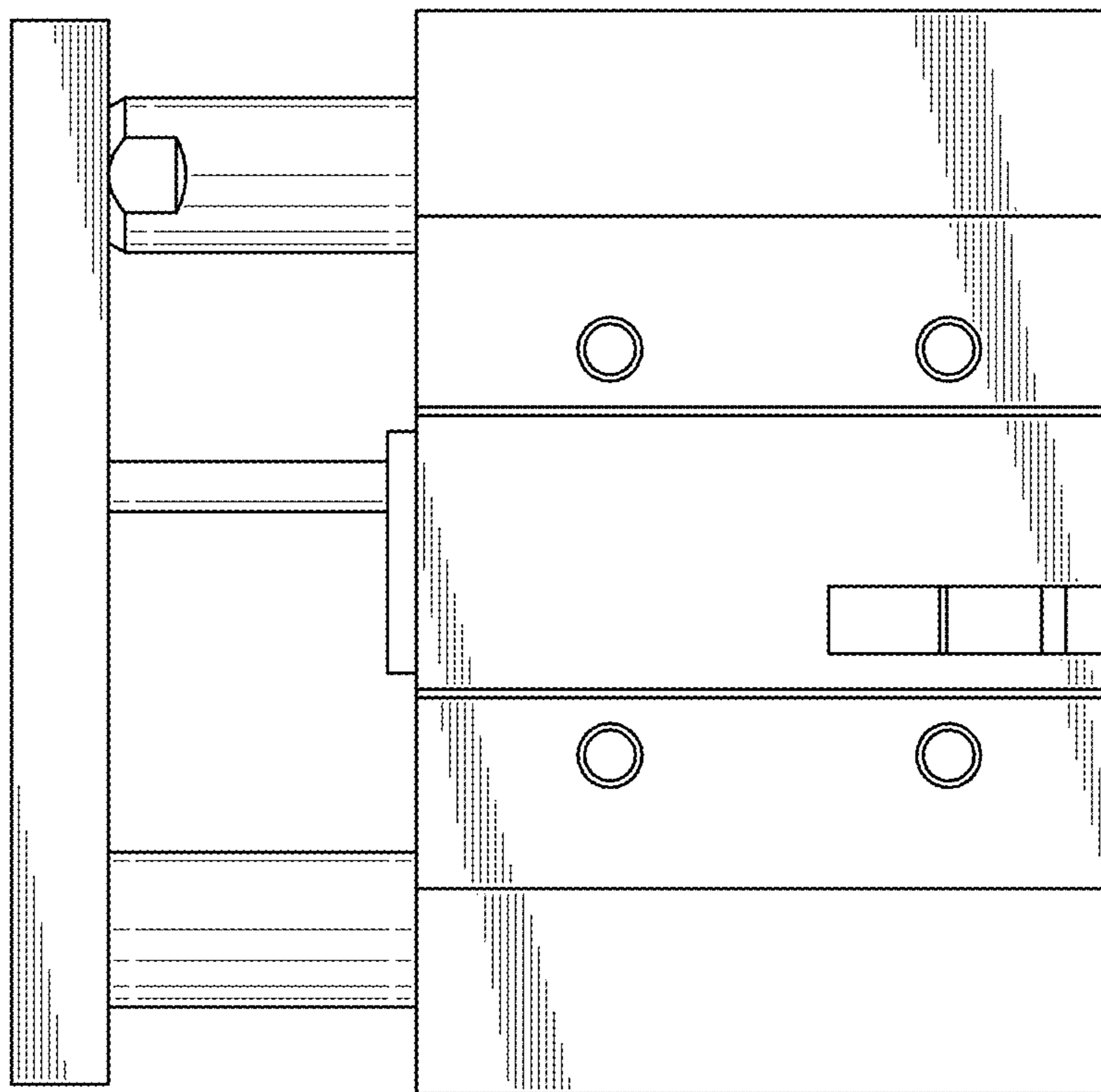


FIG. 6

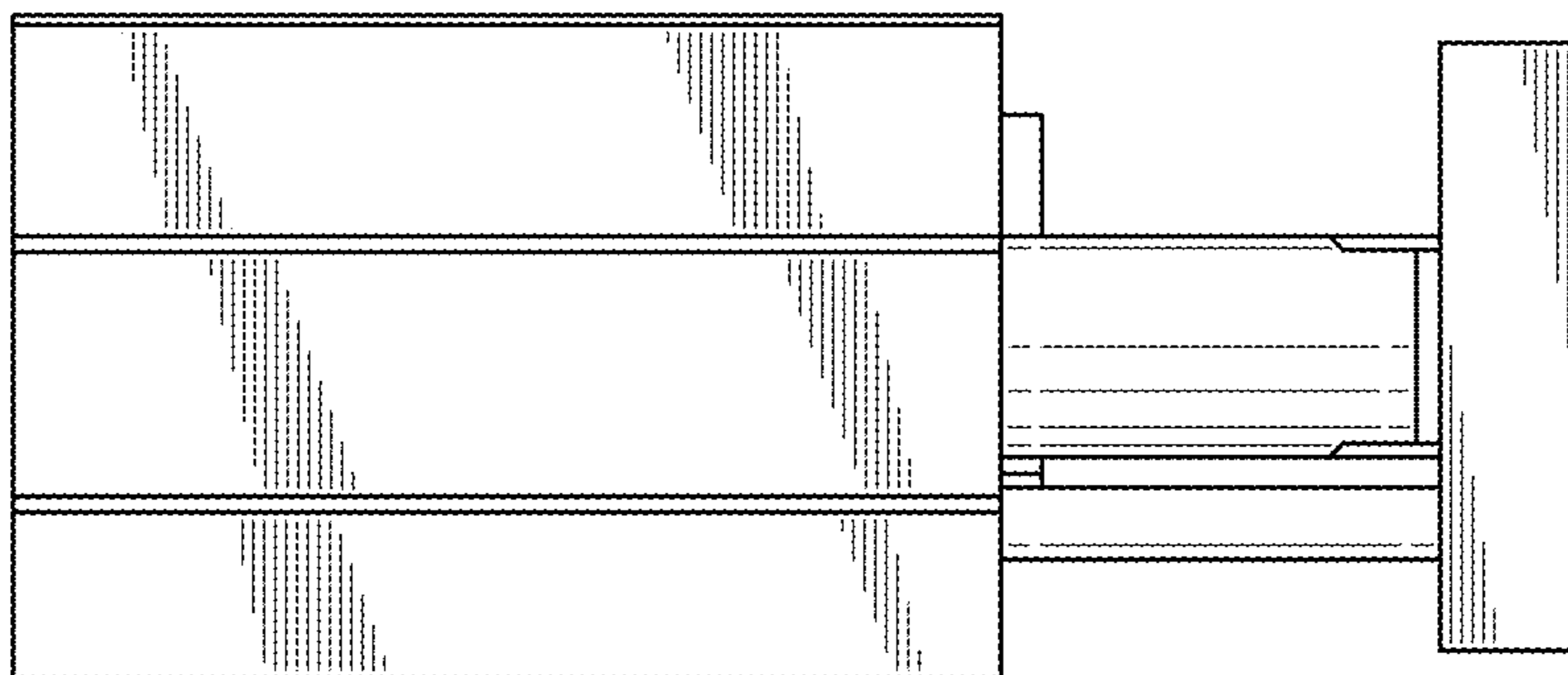


FIG. 7

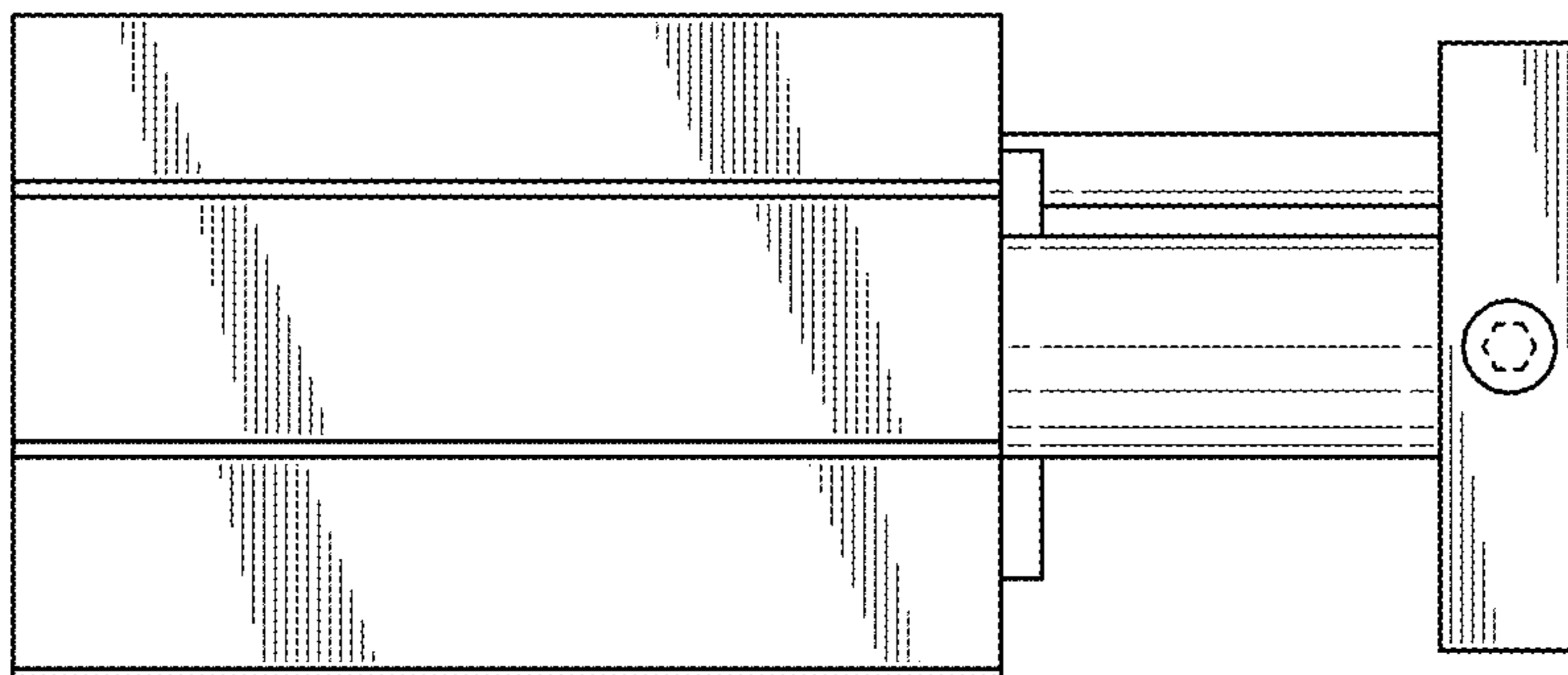


FIG. 8

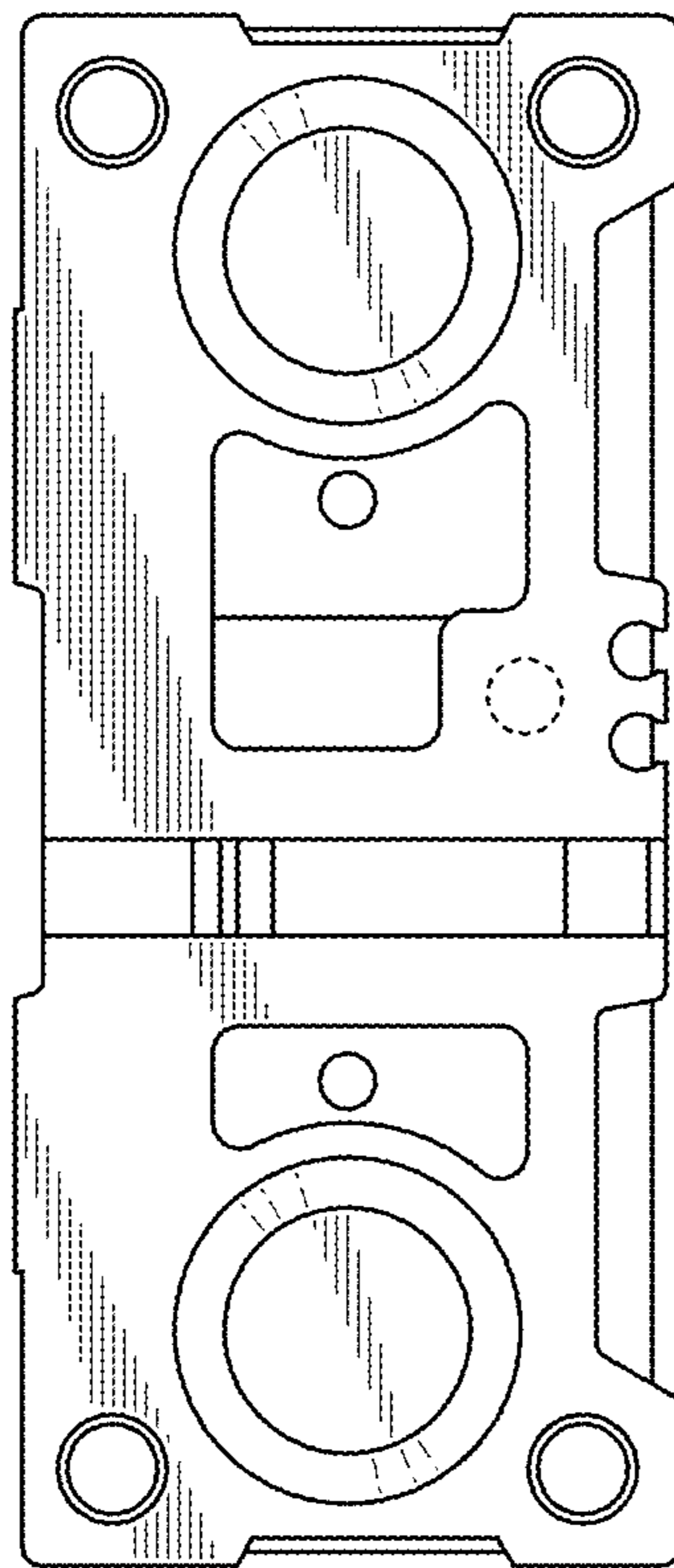


FIG. 9

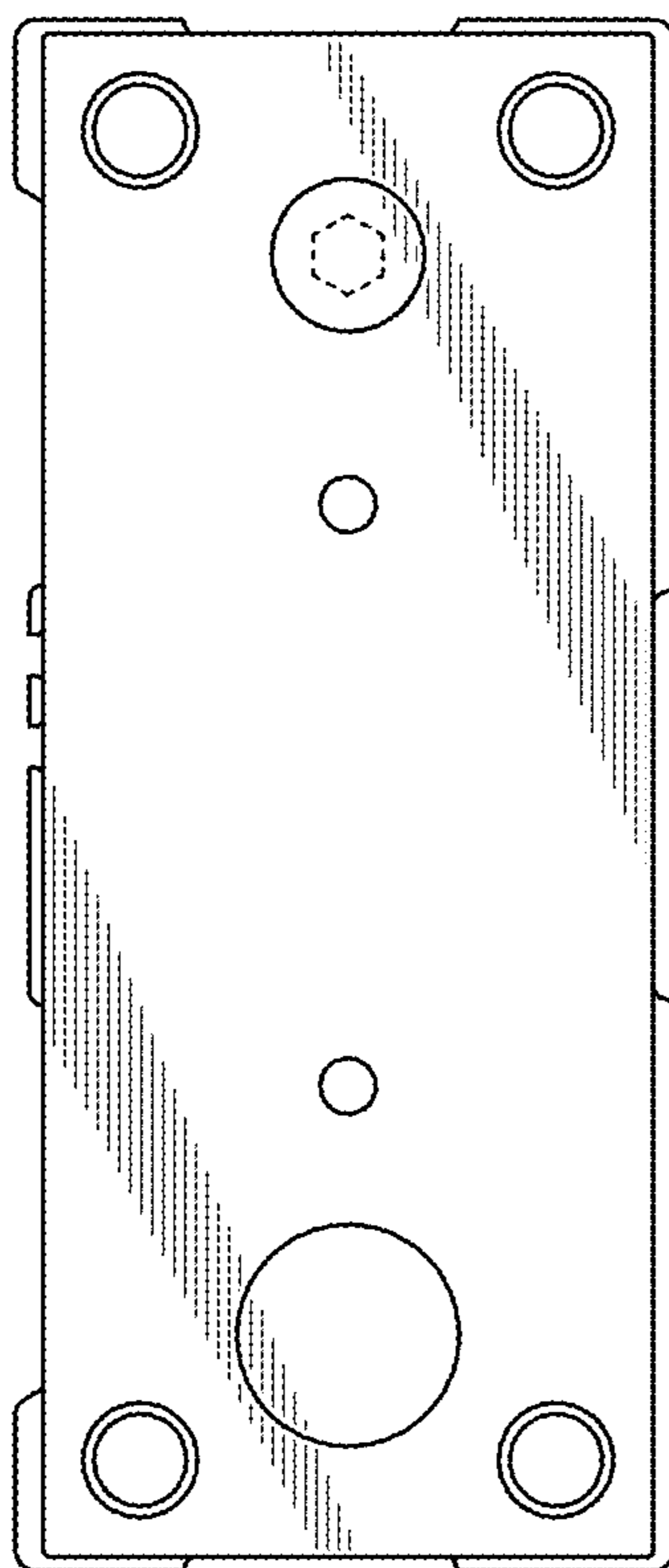


FIG. 10

