



US00D887528S

(12) **United States Design Patent**  
**Liang**

(10) **Patent No.:** **US D887,528 S**

(45) **Date of Patent:** **\*\* Jun. 16, 2020**

(54) **SPRAYER HEAD**

(71) Applicant: **Shufa Liang**, Kaiping (CN)

(72) Inventor: **Shufa Liang**, Kaiping (CN)

(\*\*) Term: **15 Years**

(21) Appl. No.: **29/689,266**

(22) Filed: **Apr. 29, 2019**

(51) **LOC (12) Cl.** ..... **23-01**

(52) **U.S. Cl.**  
USPC ..... **D23/229**

(58) **Field of Classification Search**  
USPC ..... D23/213, 229, 230, 255, 257; 137/801;  
4/678  
CPC .... A47K 7/00; B05B 1/00; B05B 1/05; B05B  
1/18; B05B 1/185; B05B 1/14; B05B  
1/02

See application file for complete search history.

(56) **References Cited**

**U.S. PATENT DOCUMENTS**

D245,618 S *	8/1977	Pitman	.....	D23/229
D268,127 S	3/1983	Whedon et al.		
D487,135 S *	2/2004	Lord	.....	D23/245
D522,614 S *	6/2006	Ko	.....	D23/213
D529,989 S	10/2006	Tse		
D548,817 S *	8/2007	Dingler	.....	D23/229
D583,015 S *	12/2008	Soriano	.....	D23/249
D602,572 S *	10/2009	Kwok	.....	D23/249
D639,909 S	6/2011	Pendleton		
D667,078 S *	9/2012	Rodney	.....	D23/213
D754,301 S *	4/2016	Bahler	.....	D23/255
D758,552 S *	6/2016	Rexach	.....	D23/255
D762,281 S *	7/2016	Byron	.....	D23/229
9,545,639 B2 *	1/2017	Meehan	.....	B05B 1/1627
D785,138 S	4/2017	Ho et al.		
D802,091 S *	11/2017	Bahler	.....	D23/213

10,150,122 B2 *	12/2018	Wang	.....	E03C 1/04
D838,343 S *	1/2019	Lai	.....	D23/229
D842,430 S	3/2019	Huang		
D845,439 S *	4/2019	Zhang	.....	D23/238
D849,203 S *	5/2019	Zhang	.....	D23/238
2011/0186161 A1 *	8/2011	Chen	.....	E03C 1/057 137/637

**OTHER PUBLICATIONS**

APPASO Pull Down Kitchen Faucet Sprayer [Sep. 2, 2019] found online—[https://www.amazon.com/APPASO-Kitchen-Replacement-Functions-APSP001BN/dp/B07QWBVYGY6/ref=sr\\_1\\_190?keywords=sprayer+head&qid=1567428246&s=hi&sr=1-190](https://www.amazon.com/APPASO-Kitchen-Replacement-Functions-APSP001BN/dp/B07QWBVYGY6/ref=sr_1_190?keywords=sprayer+head&qid=1567428246&s=hi&sr=1-190).\*

\* cited by examiner

*Primary Examiner* — Lakiya G Rogers

*Assistant Examiner* — John A Voytek

(74) *Attorney, Agent, or Firm* — KA Filing LLC; Wayne V. Harper

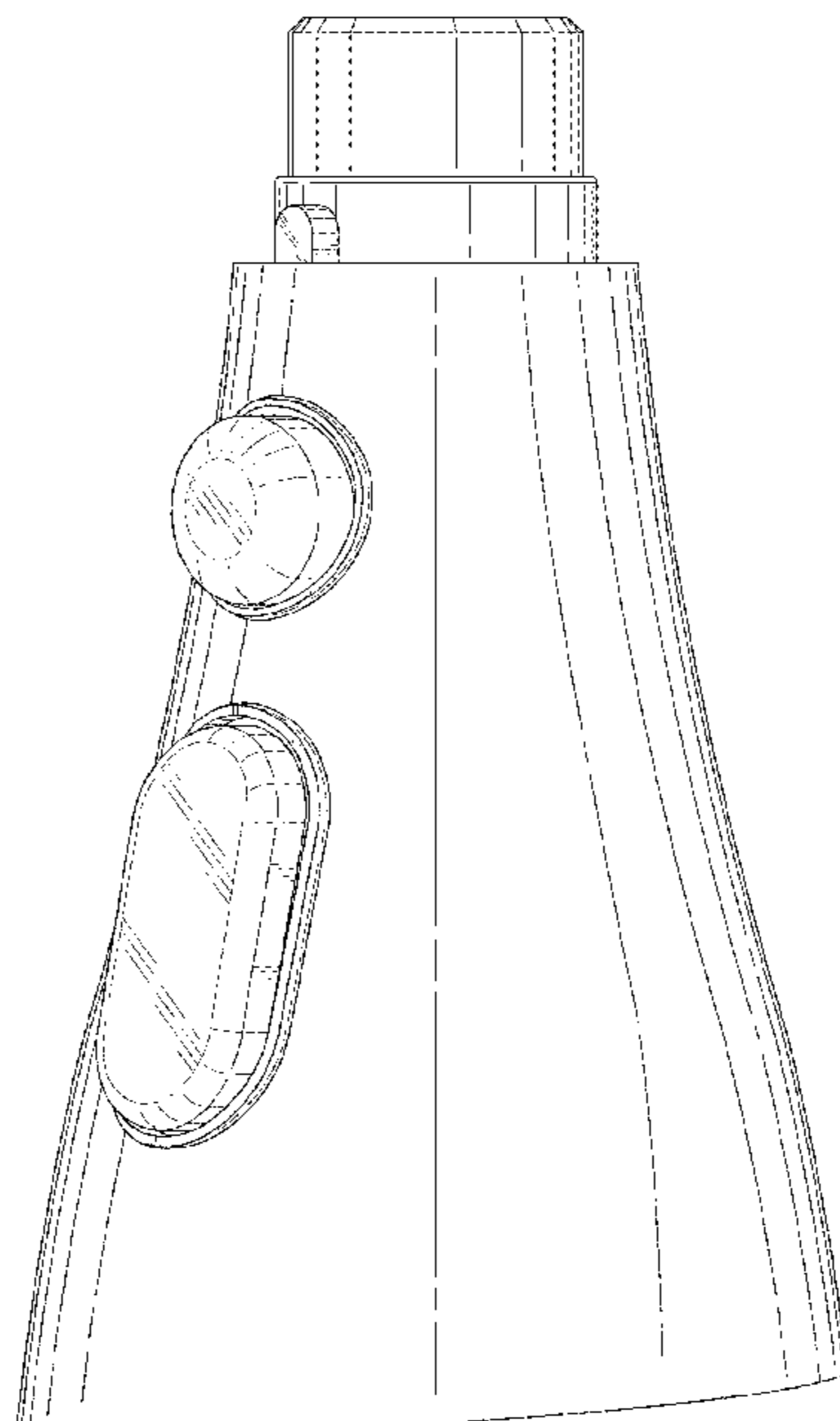
(57) **CLAIM**

I claim the ornamental design for a sprayer head, as shown and described.

**DESCRIPTION**

FIG. 1 is a Perspective view of a sprayer head showing my new design;  
FIG. 2 is a Front view of the sprayer head as shown in FIG. 1;  
FIG. 3 is a Back view of the sprayer head as shown in FIG. 1;  
FIG. 4 is a Right-side view of the sprayer head as shown in FIG. 1;  
FIG. 5 is a Left-side view of the sprayer head as shown in FIG. 1; and,  
FIG. 6 is a Top view of the sprayer head as shown in FIG. 1.

**1 Claim, 6 Drawing Sheets**



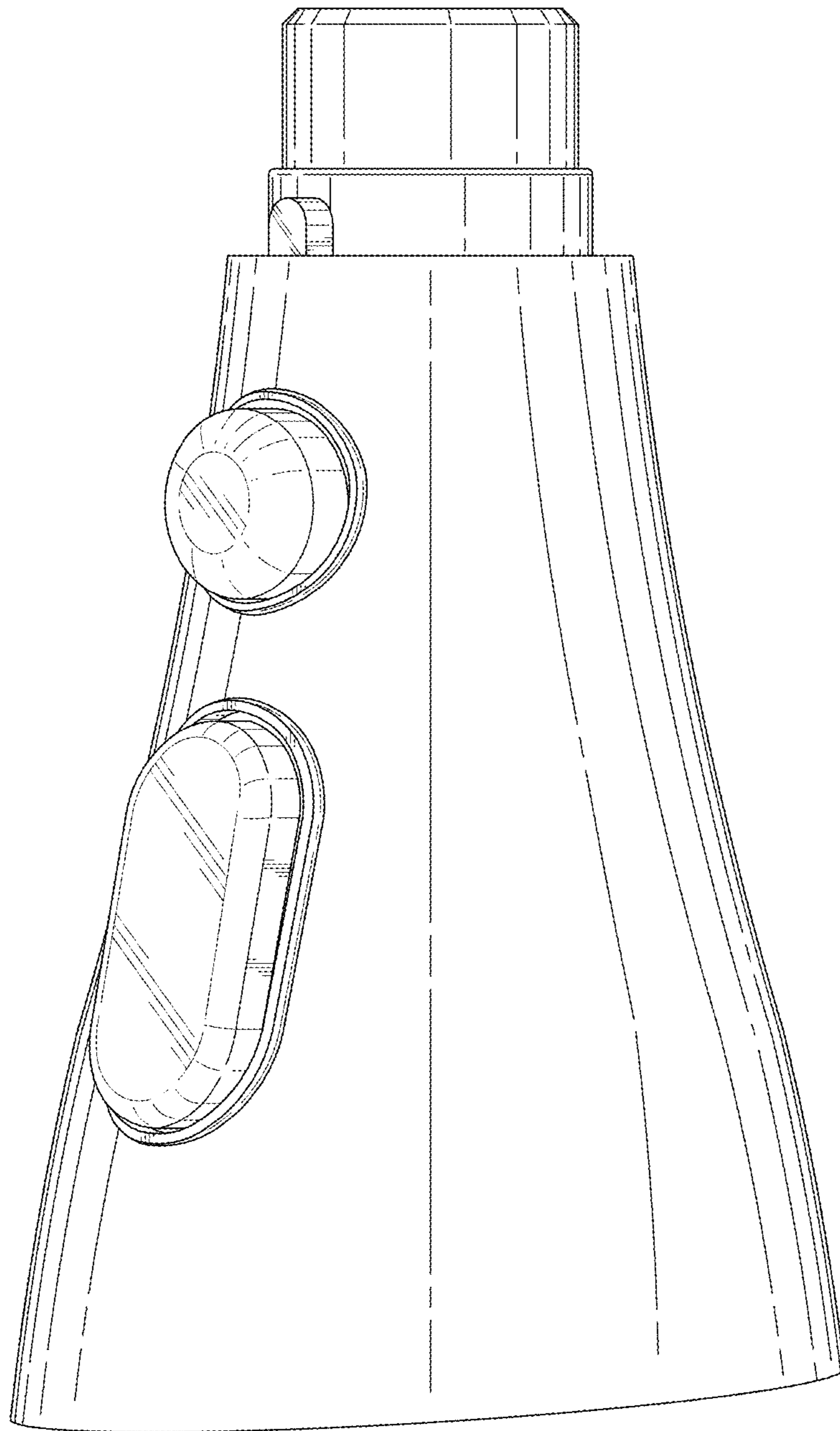


FIG. 1

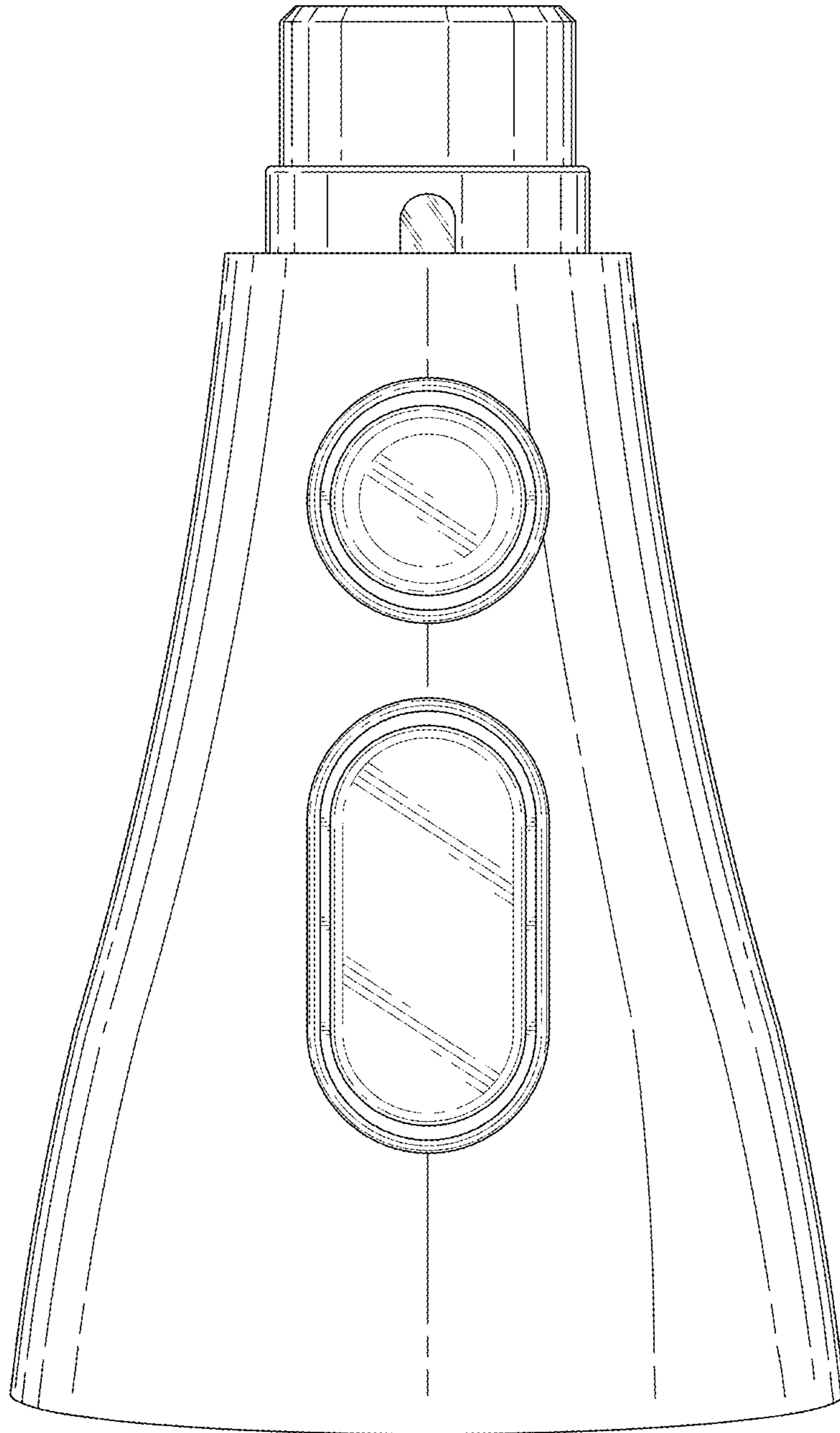


FIG. 2

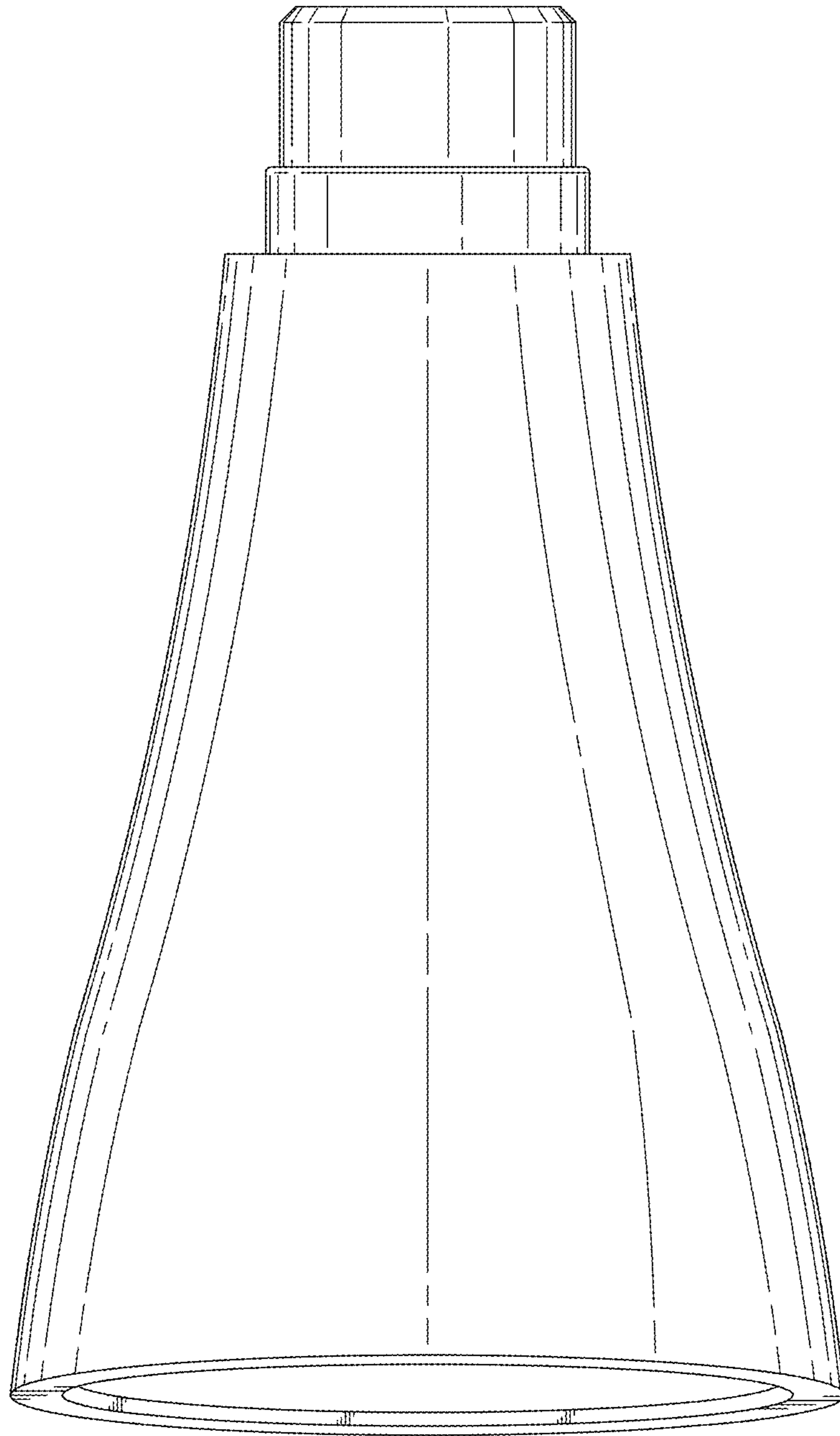


FIG. 3

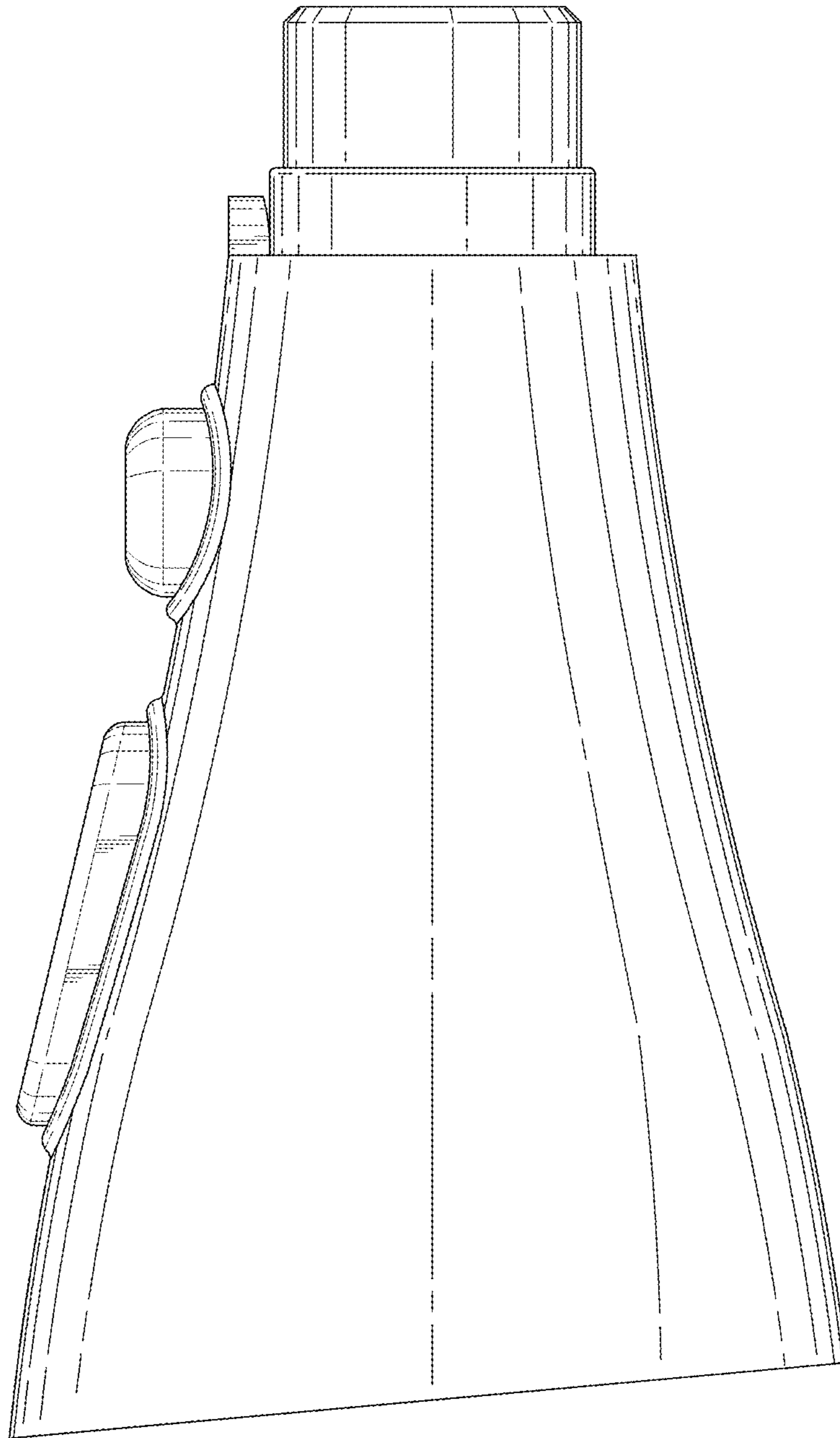


FIG. 4

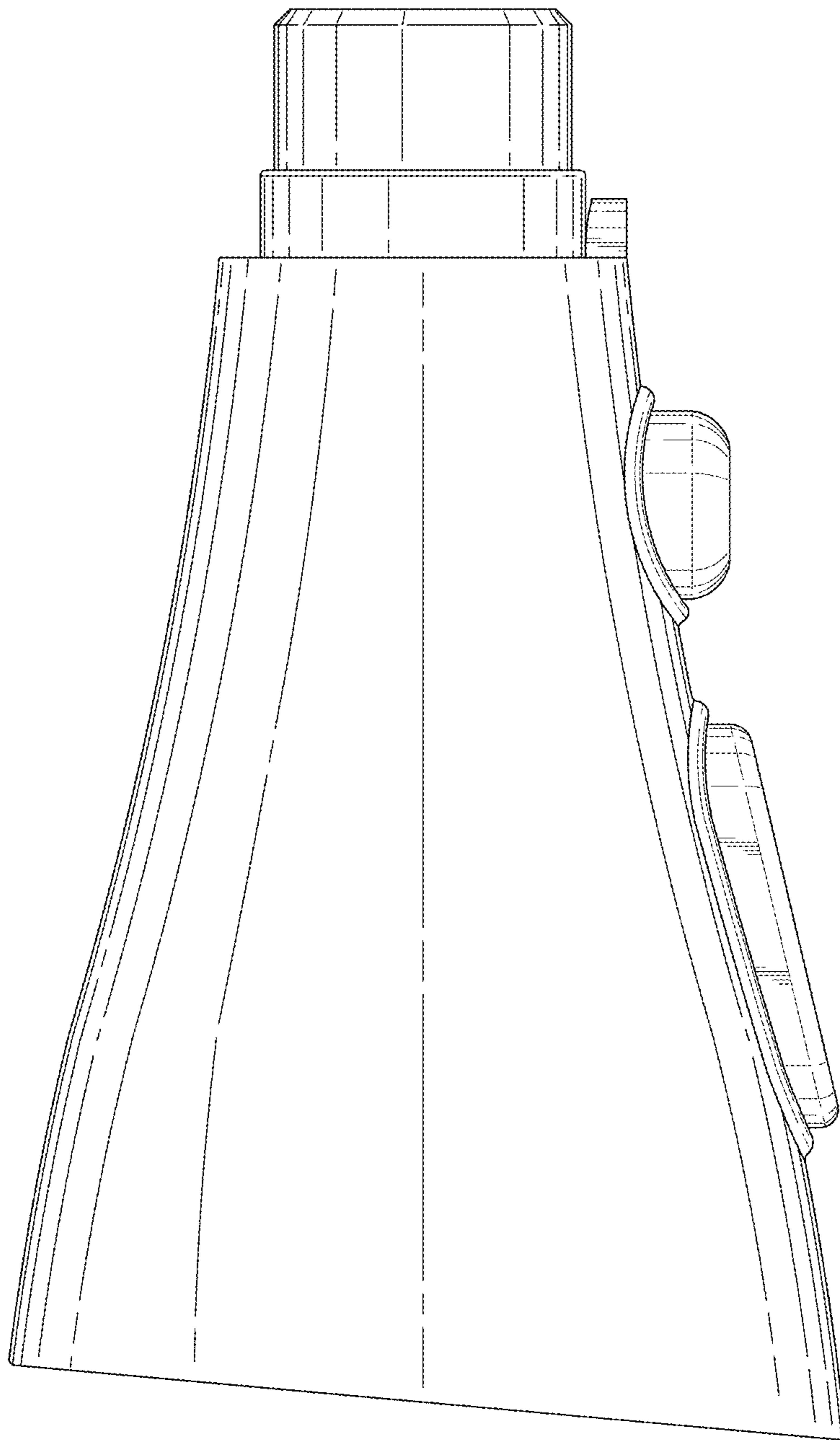


FIG. 5

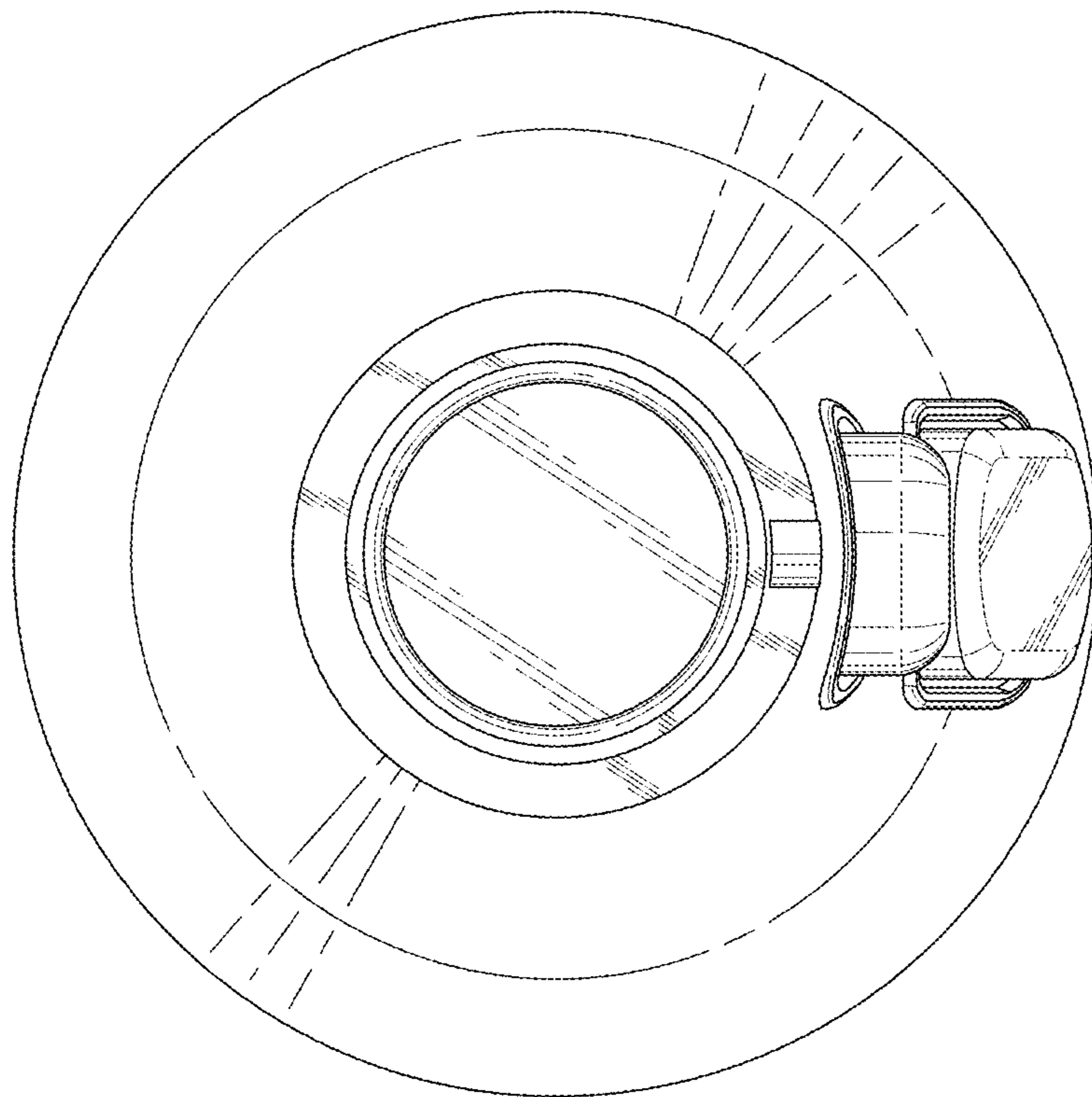


FIG. 6