



US00D887525S

(12) **United States Design Patent**
Huang et al.

(10) **Patent No.:** **US D887,525 S**
(45) **Date of Patent:** **** Jun. 16, 2020**

(54) **REEL COMPONENT**

D609,772 S * 2/2010 Tohma D22/140
D661,774 S * 6/2012 Nago D22/140
8,201,357 B2 * 6/2012 Huang A01K 87/08
43/18.1 R

(71) Applicants: **Ben Huang**, Huntington Beach, CA
(US); **WINN INCORPORATED**,
Huntington Beach, CA (US)

(Continued)

(72) Inventors: **Ben Huang**, Huntington Beach, CA
(US); **Elmer S. Alfafara**, Dana Point,
CA (US)

FOREIGN PATENT DOCUMENTS

JP 2000-093050 4/2000
JP 2001-157533 6/2001

(Continued)

(73) Assignee: **Winn Incorporated**, Huntington Beach,
CA (US)

OTHER PUBLICATIONS

(**) Term: **15 Years**

U.S. Appl. No. 10/392,480, filed Mar. 18, 2003, now U.S. Pat. No.
6,857,971, issued Feb. 22, 2005, Huang.

(21) Appl. No.: **29/685,961**

(Continued)

(22) Filed: **Apr. 1, 2019**

Related U.S. Application Data

(62) Division of application No. 29/602,815, filed on May
3, 2017, now Pat. No. Des. 844,744.

(51) **LOC (12) Cl.** **22-05**

(52) **U.S. Cl.**
USPC **D22/140**

(58) **Field of Classification Search**
USPC D22/137-141, 134, 199; 242/234-240,
242/303, 311, 313
CPC A01K 89/006; A47B 95/02; B25G 1/00;
B25G 1/102
See application file for complete search history.

(56) **References Cited**

U.S. PATENT DOCUMENTS

4,646,460 A 3/1987 Rumbaugh
4,651,461 A 3/1987 Williams
4,839,981 A 6/1989 Yasui
5,503,579 A 4/1996 Curran et al.
D369,641 S * 5/1996 Asano D22/140
5,557,875 A 9/1996 Testa
D579,075 S * 10/2008 Sekimoto D22/140

Primary Examiner — Catherine R Oliver-Garcia
(74) *Attorney, Agent, or Firm* — Knobbe, Martens, Olson
& Bear, LLP

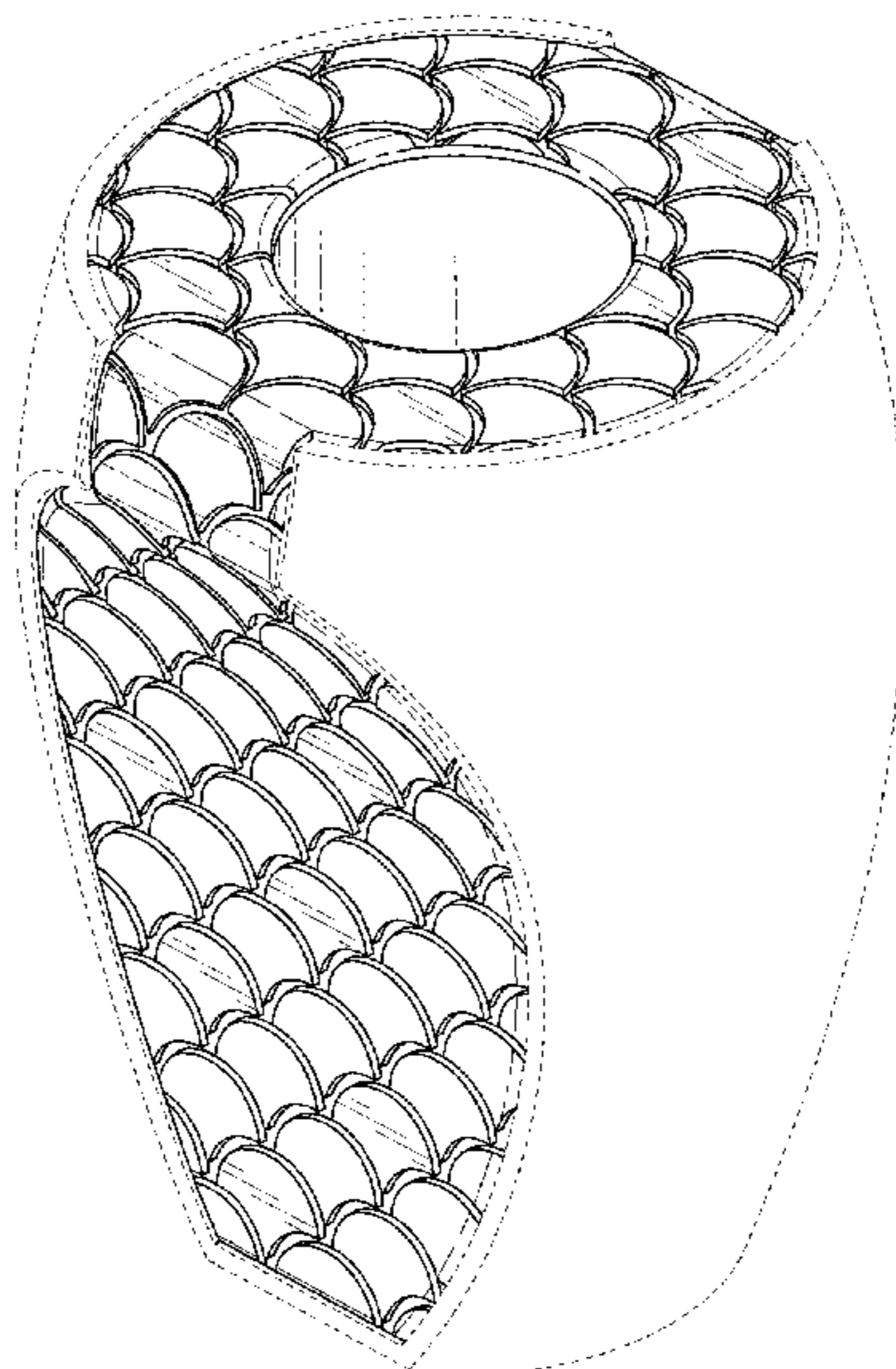
(57) **CLAIM**

The ornamental design for a reel component, as shown and
described.

DESCRIPTION

FIG. 1 is a front top perspective view of a reel component
showing the new design;
FIG. 2 is a rear bottom perspective view thereof;
FIG. 3 is a rear elevational view thereof;
FIG. 4 is a front elevational view thereof;
FIG. 5 is a left elevational view thereof;
FIG. 6 is a right elevational view thereof.
FIG. 7 is a top plan view thereof; and,
FIG. 8 is a bottom plan view thereof.
The dash-dash broken lines in FIGS. 1-8 show portions of
the reel component which form no part of the presently
claimed design.

1 Claim, 7 Drawing Sheets



(56)

References Cited

U.S. PATENT DOCUMENTS

8,424,236 B2 * 4/2013 Huang A01K 87/08
43/18.1 R
8,464,609 B2 * 6/2013 Shiu B62K 13/00
280/278
8,499,487 B2 * 8/2013 Huang A01K 87/08
43/18.1 R
2004/0088900 A1 5/2004 Irrgang et al.
2004/0211108 A1 10/2004 Ezuka
2008/0244956 A1 10/2008 Gant et al.

FOREIGN PATENT DOCUMENTS

JP 2001-275523 10/2001
JP 2006-204261 8/2006
JP 2006-254822 9/2006
JP 2008-029298 2/2008
KR 10-2007-0078047 7/2007

OTHER PUBLICATIONS

U.S. Appl. No. 10/608,598, filed Jun. 27, 2003, Huang (U.S. Pub. No. 2004-0266546, published Dec. 30, 2004), abandoned.
U.S. Appl. No. 10/746,764, filed Dec. 23, 2003, now U.S. Pat. No. 6,843,732, issued Jan. 18, 2005, Huang.
U.S. Appl. No. 10/785,379, filed Feb. 24, 2004, now U.S. Pat. No. 7,374,498, issued May 20, 2008, Huang.
U.S. Appl. No. 10/827,095, filed Apr. 19, 2004, now U.S. Pat. No. 7,195,568, issued Mar. 27, 2007, Huang.
U.S. Appl. No. 10/875,035, filed Jun. 23, 2004, now U.S. Pat. No. 7,585,230, issued Sep. 8, 2009, Huang.
U.S. Appl. No. 11/029,328, filed Jan. 5, 2005, now U.S. Publication No. 2005/0148401 published Jul. 7, 2005, Huang (Abandoned).
U.S. Appl. No. 11/062,046, filed Feb. 18, 2005, now U.S. Pat. No. 7,470,199, issued Dec. 30, 2008, Huang.
U.S. Appl. No. 11/131,832, filed May 18, 2005, now U.S. Pat. No. 7,527,564, issued May 5, 2009, Huang.
U.S. Appl. No. 11/172,770, filed Jul. 1, 2005, now U.S. Pat. No. 7,186,189, issued Mar. 6, 2007, Huang.
U.S. Appl. No. 11/412,196, filed Apr. 25, 2006, now U.S. Pub. No. 2006/0264268 published Nov. 23, 2006, Huang (Abandoned).
U.S. Appl. No. 11/413,411, filed Apr. 28, 2006, now U.S. Pat. No. 7,344,448, issued Mar. 18, 2008, Huang.
U.S. Appl. No. 11/416,364, filed May 1, 2006, now U.S. Pat. No. 7,438,646, issued Oct. 21, 2008, Huang.
U.S. Appl. No. 11/417,401, filed May 3, 2006, now U.S. Pat. No. 7,491,133, issued Feb. 17, 2009, Huang.
U.S. Appl. No. 11/417,555, filed May 3, 2006, now U.S. Pat. No. 7,404,770, issued Jul. 29, 2008, Huang.
U.S. Appl. No. 11/417,623, filed May 3, 2006, now U.S. Pat. No. 7,566,375, issued Jul. 28, 2009, Huang.
U.S. Appl. No. 11/417,643, filed May 3, 2006, now U.S. Pat. No. 7,448,957, issued Nov. 11, 2008, Huang.
U.S. Appl. No. 11/417,696, filed Mar. 5, 2006, now U.S. Pat. No. 7,448,958, issued Nov. 11, 2008, Huang.
U.S. Appl. No. 11/438,808, filed May 22, 2006, now U.S. Pat. No. 7,347,792, issued Mar. 25, 2008, Huang.
U.S. Appl. No. 11/682,264, filed Mar. 5, 2007, now U.S. Pat. No. 7,980,961, issued Jul. 19, 2011, Huang.
U.S. Appl. No. 11/689,452, filed Mar. 21, 2007, now U.S. Pat. No. 7,862,445, issued Jan. 4, 2011, Huang.
U.S. Appl. No. 11/838,670, filed Aug. 14, 2007, now U.S. Pat. No. 7,862,446, issued Jan. 4, 2011, Huang.
U.S. Appl. No. 12/045,639, filed Mar. 10, 2008, now U.S. Pat. No. 7,770,321, issued Aug. 10, 2010, Huang.
U.S. Appl. No. 12/055,289, filed Mar. 25, 2008, now U.S. Pat. No. 8,003,171, issued Aug. 23, 2011, Huang.
U.S. Appl. No. 12/123,384, filed 5/19/08, now U.S. Pat. No. 7,985,314, issued Jul. 26, 2011, Huang.

U.S. Appl. No. 12/425,187, filed Apr. 16, 2009, now U.S. Publication No. 2009/0258722 published Oct. 15, 2009, Huang (Abandoned).
U.S. Appl. No. 12/426,896, filed Apr. 20, 2009, now U.S. Publication No. 2009-0258721 published Oct. 15, 2009, Huang (Abandoned).
U.S. Appl. No. 12/511,033, filed Jul. 28, 2009, now U.S. Pat. No. 8,435,133, issued May 7, 2013, Huang.
U.S. Appl. No. 12/753,669, filed Apr. 2, 2010, now U.S. Pat. No. 8,518,505, issued 8/27/13, Huang.
U.S. Appl. No. 12/753,773, filed Apr. 2, 2010, now U.S. Pat. No. 8,424,236, issued Apr. 23, 2013, Huang.
U.S. Appl. No. 12/753,799, filed Apr. 2, 2010, Huang (U.S. Pub. 2010-0273568, published Oct. 28, 2010), abandoned.
U.S. Appl. No. 12/753,804, filed Apr. 2, 2010, Huang (U.S. Pub. 2010-0269626, published Oct. 28, 2010), pending.
U.S. Appl. No. 12/767,736, filed Apr. 26, 2010, now U.S. Pat. No. 8,360,898, issued Jan. 29, 2013, Huang.
U.S. Appl. No. 12/848,052, filed Jul. 30, 2010, now U.S. Pat. No. 8,201,357, issued Jun. 19, 2012, Huang.
U.S. Appl. No. 12/862,673, filed Aug. 24, 2010, now U.S. Pat. No. 8,480,510, issued Jul. 9, 2013, Huang.
U.S. Appl. No. 12/948,637, filed Nov. 17, 2010, now U.S. Pat. No. 8,590,205, issued Nov. 26, 2013, Huang.
U.S. Appl. No. 12/960,261, filed Dec. 03, 2010, now U.S. Pat. No. 8,123,627, issued Feb. 28, 2012, Huang.
U.S. Appl. No. 13/208,297, filed Aug. 11, 2011, now U.S. Pat. No. 8,617,664, issued Dec. 31, 2013, Huang.
U.S. Appl. No. 13/403,764, filed Feb. 23, 2012, now U.S. Pat. No. 8,845,448, issued Sep. 30, 2014, Huang.
U.S. Appl. No. 13/526,323, filed Jun. 18, 2012, now U.S. Pat. No. 8,499,487, issued Aug. 6, 2013, Huang.
U.S. Appl. No. 13/750,853, filed Jan. 25, 2013, now U.S. Pat. No. 9,114,295, issued Aug. 25, 2015, Huang.
U.S. Appl. No. 13/866,911, filed Apr. 19, 2013, now U.S. Pat. No. 8,966,809, issued Mar. 3, 2015, Huang.
U.S. Appl. No. 13/874,889, filed May 1, 2013, Huang (U.S. Pub. 2014-0041794, published Feb. 13, 2014), pending.
U.S. Appl. No. 13/916,519, filed Jun. 12, 2013, Huang, pending.
U.S. Appl. No. 13/931,647, filed Jun. 28, 2013, now U.S. Pat. No. 8,734,267, issued May 27, 2014, Huang.
U.S. Appl. No. 13/958,211, filed Aug. 2, 2013, Huang, abandoned.
U.S. Appl. No. 13/972,751, filed Aug. 21, 2013, now U.S. Pat. No. 9,661,833, issued May 30, 2017, Huang.
U.S. Appl. No. 14/137,735, filed Dec. 20, 2013, now U.S. Pat. No. 10,040,091, issued Aug. 7, 2018, Huang.
U.S. Appl. No. 14/285,390, filed May 22, 2014, now U.S. Pat. No. 9,375,833, issued Jun. 28, 2016, Huang.
U.S. Appl. No. 14/497,797, filed Sep. 26, 2014, Huang (Abandoned).
U.S. Appl. No. 14/671,745, filed Mar. 27, 2015, Huang, (U.S. Pub. 2015-0273647, published Oct. 1, 2015), pending.
U.S. Appl. No. 14/726,093, filed May 29, 2015, now U.S. Pat. No. 9,440,128, issued Apr. 21, 2016, Huang.
U.S. Appl. No. 14/809,072, filed Jul. 24, 2015, Huang, pending.
U.S. Appl. No. 15/188,388, filed Jun. 21, 2016, Huang, abandoned.
U.S. Appl. No. 15/191,125, filed Jun. 23, 2016, now U.S. Publication No. 2017/0013816 published Jan. 19, 2017, Huang.
U.S. Appl. No. 15/191,453, filed Jun. 23, 2016, now U.S. Publication No. 2017/0112113 published Apr. 27, 2017, Huang.
U.S. Appl. No. 15/261,758, filed Sep. 9, 2016, now U.S. Pat. No. 10,112,087, issued Oct. 30, 2018, Huang.
Design U.S. Appl. No. 29/416,672, filed Mar. 26, 2012, now U.S. D. 679,352, issued Apr. 2, 2013, Huang.
Design U.S. Appl. No. 29/436,610, filed Nov. 7, 2012, now U.S. D. 696,368, issued Dec. 24, 2013, Huang.
Design U.S. Appl. No. 29/604,651, filed May 18, 2017, pending, Huang.

* cited by examiner

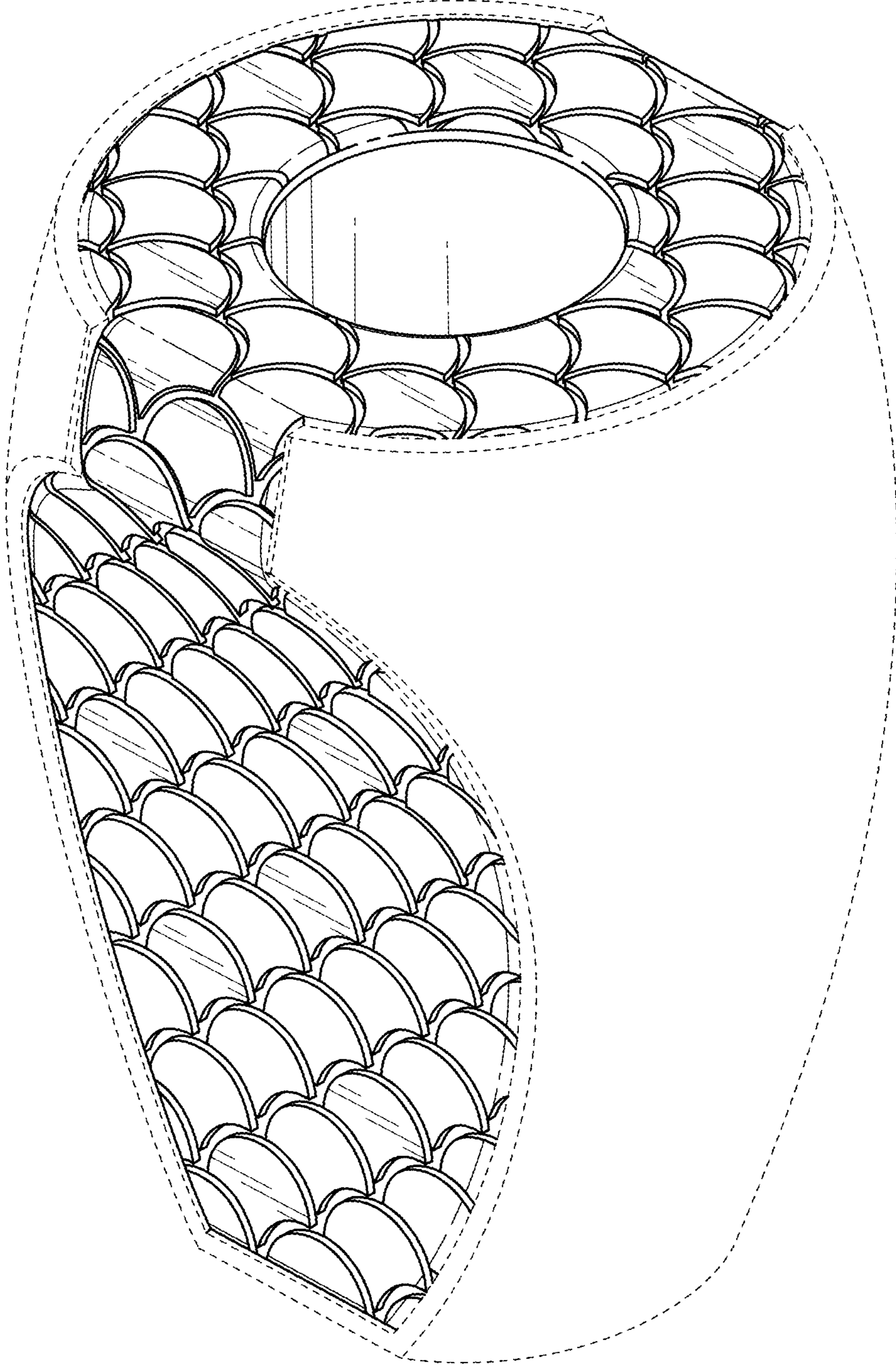


FIG. 1

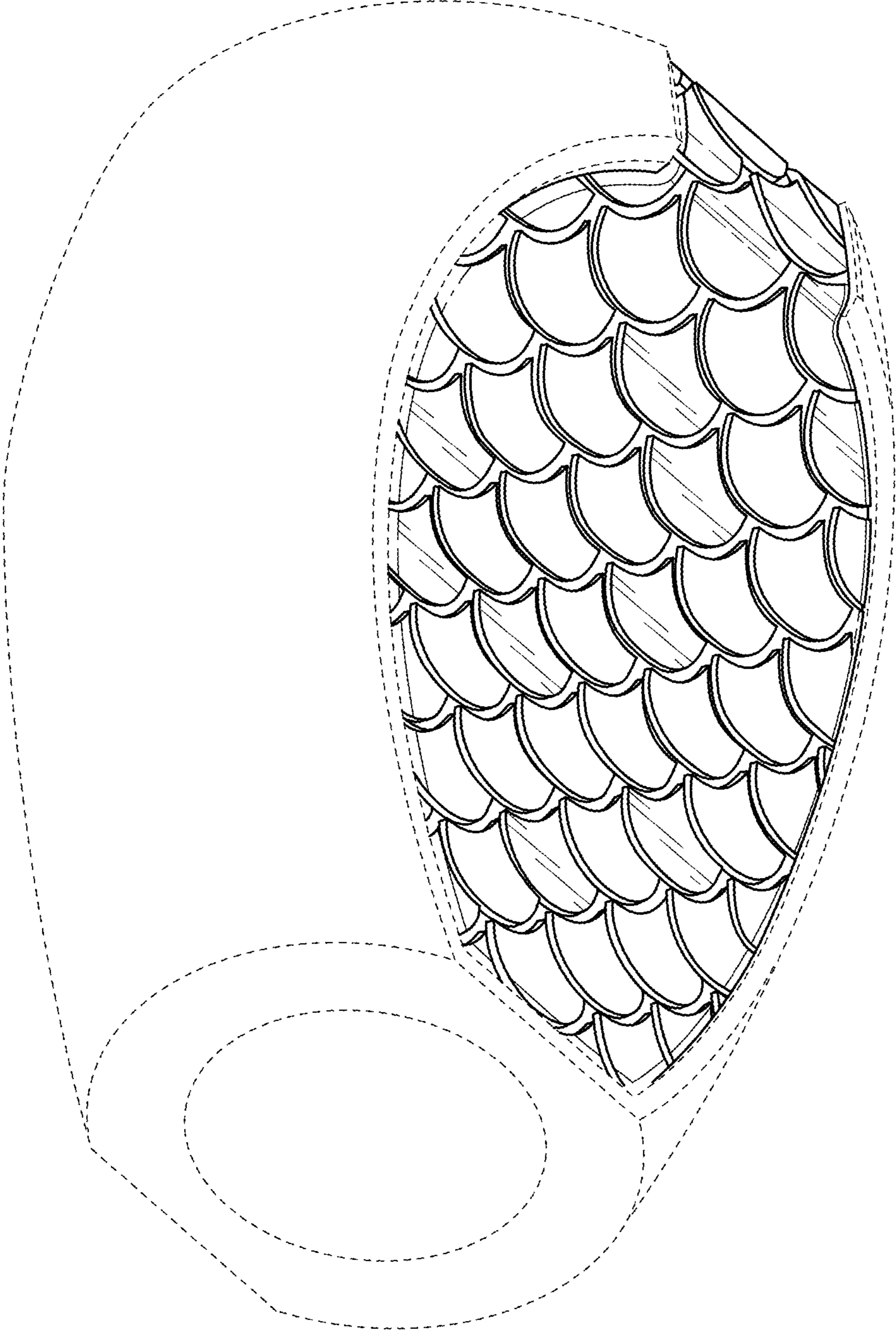


FIG. 2

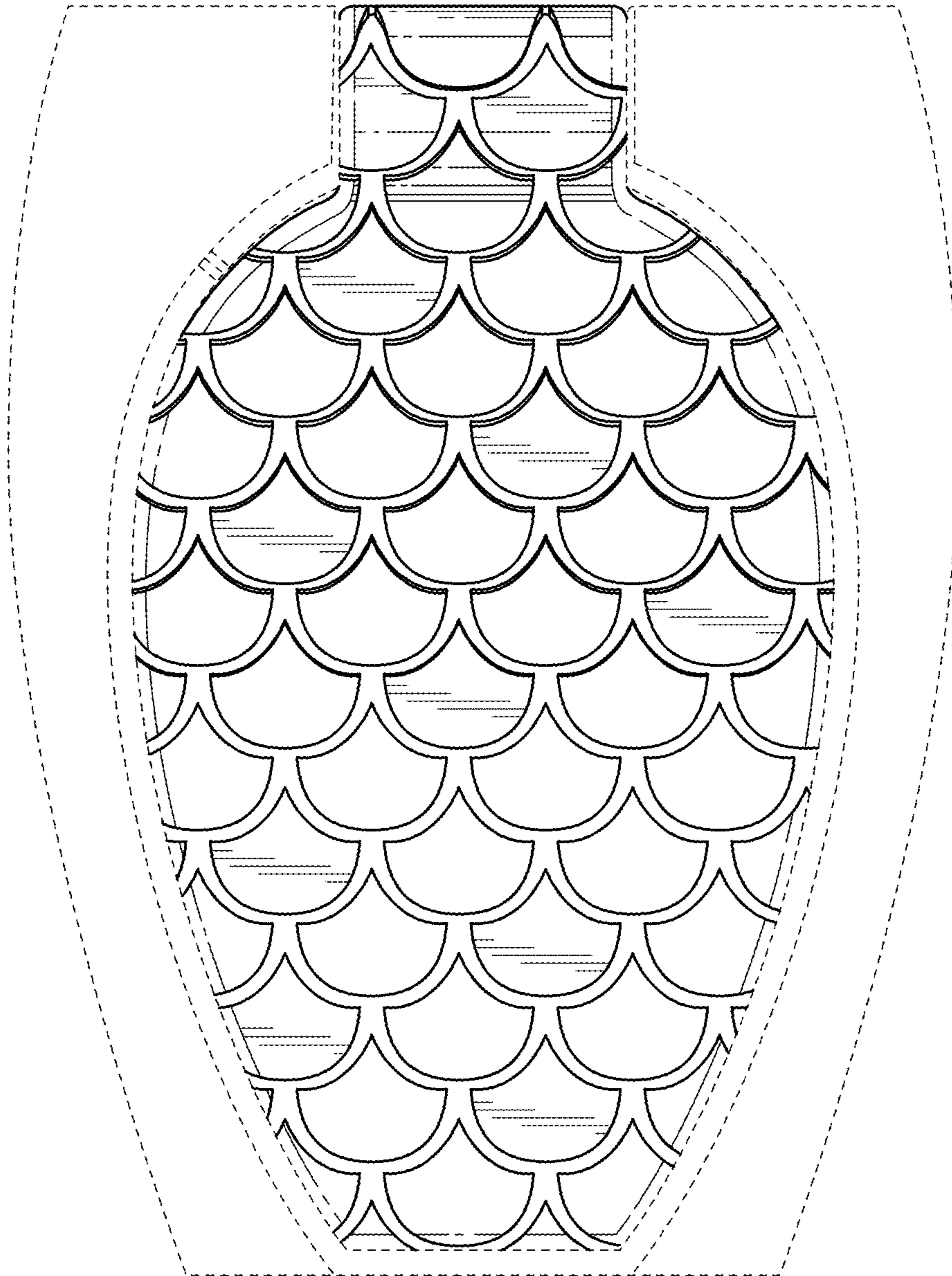


FIG. 3

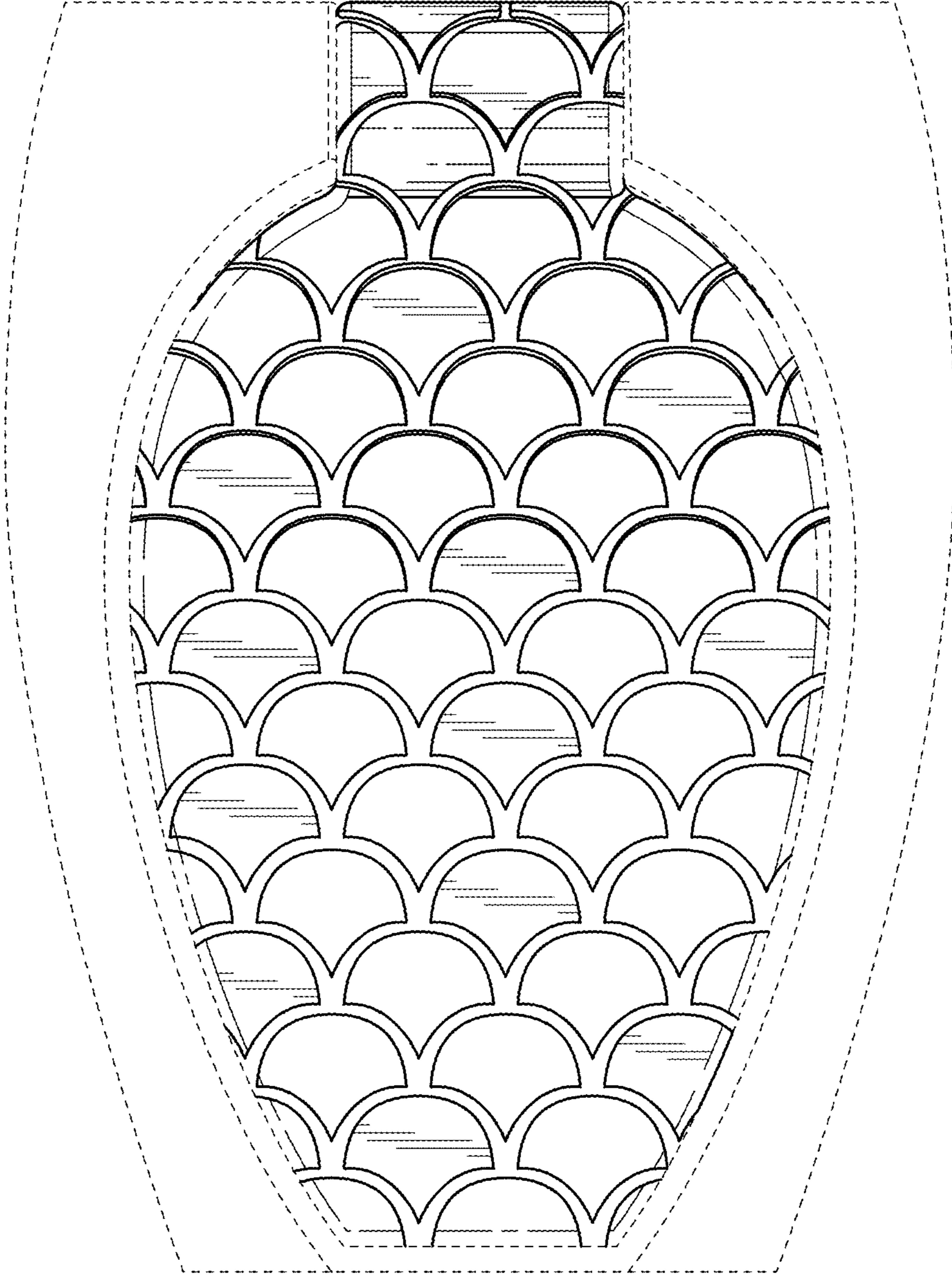


FIG. 4

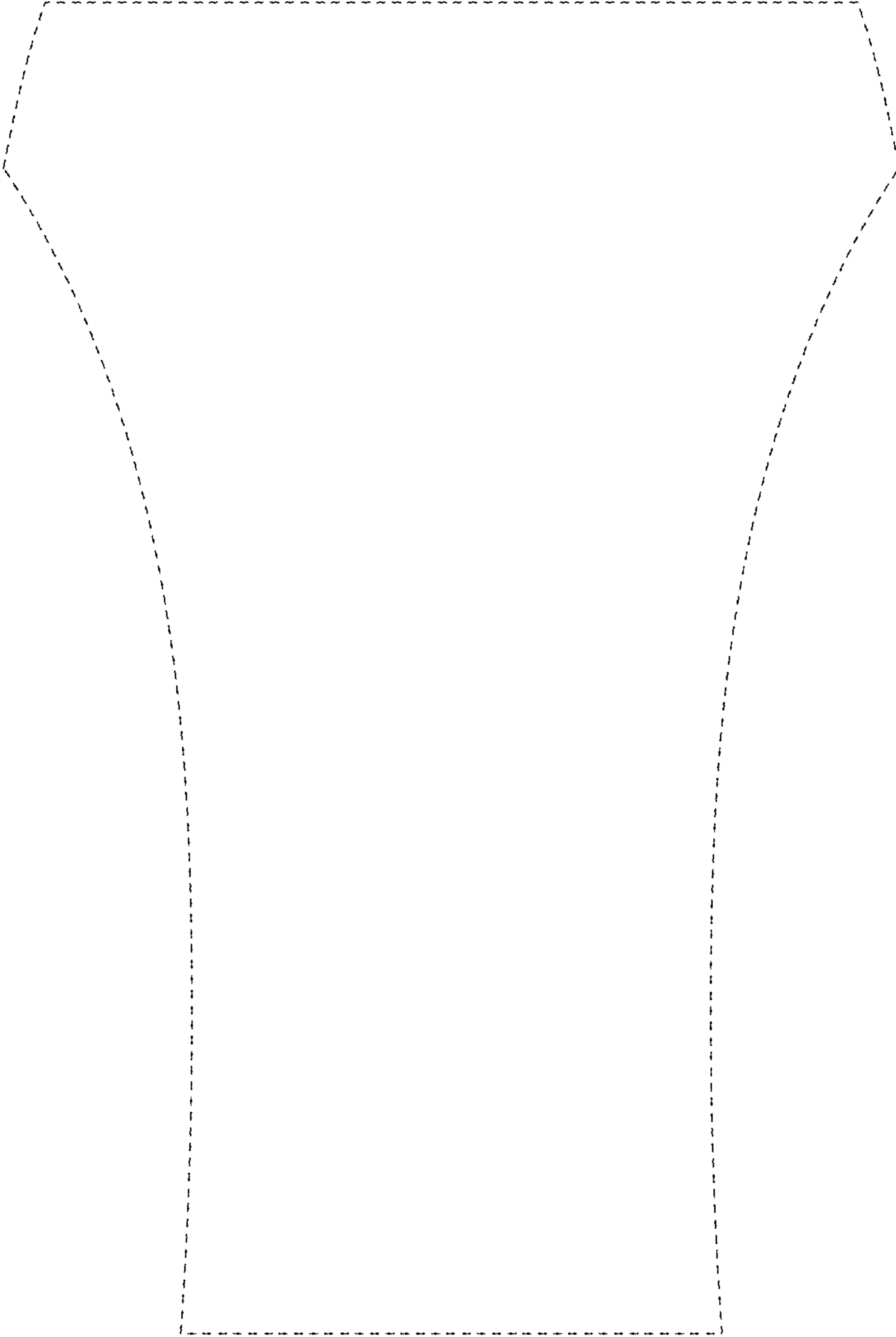


FIG. 5

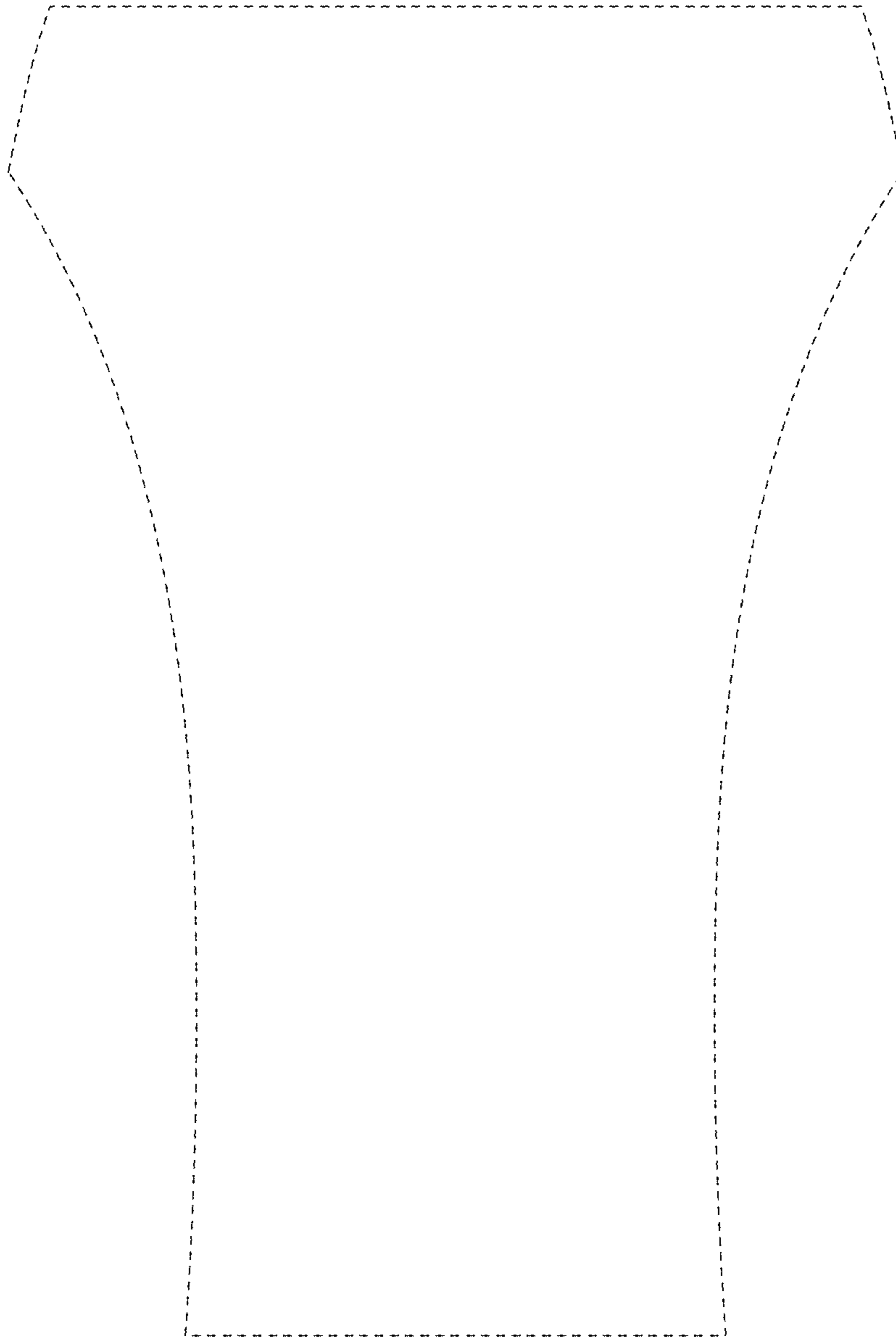


FIG. 6

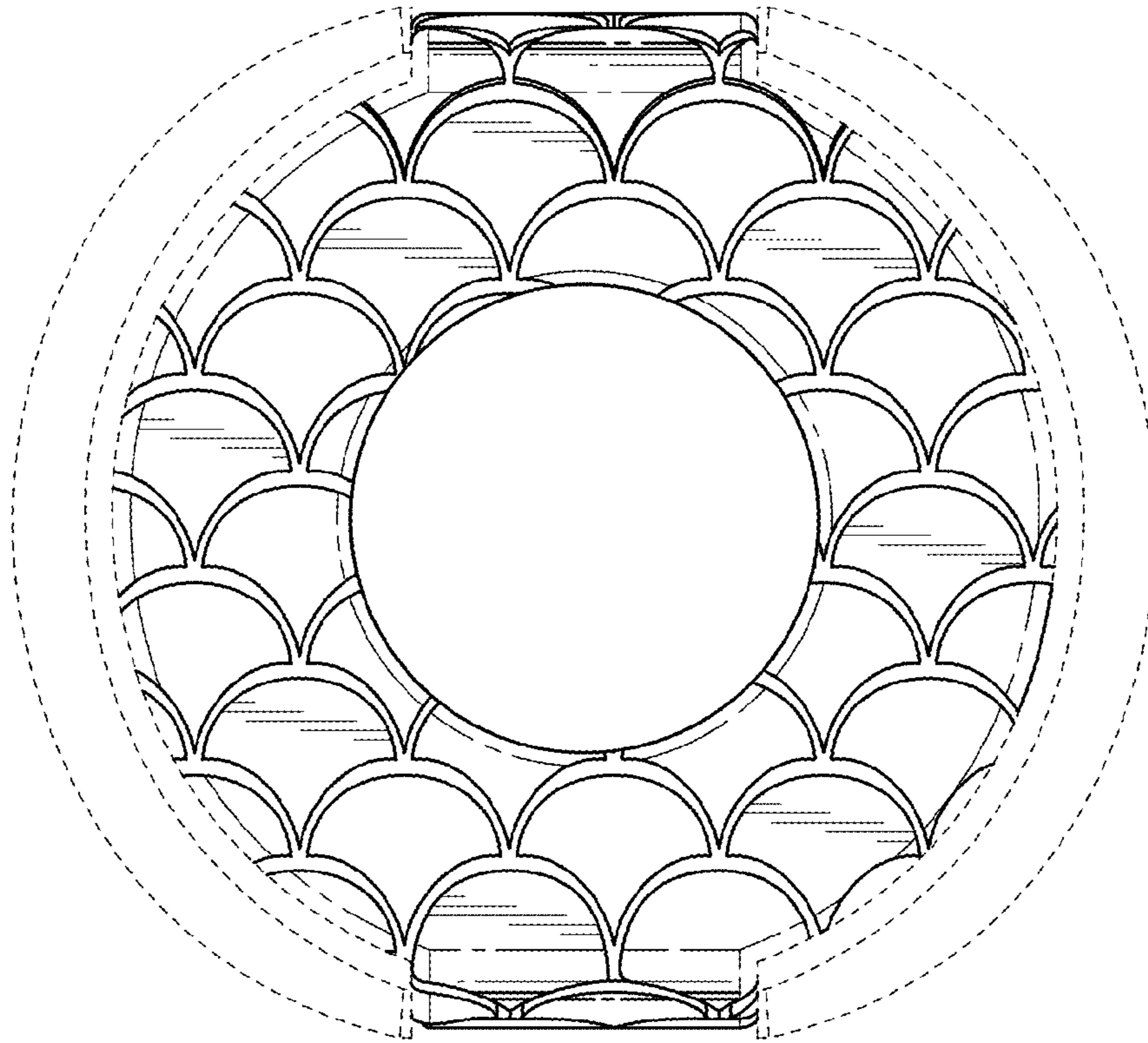


FIG. 7

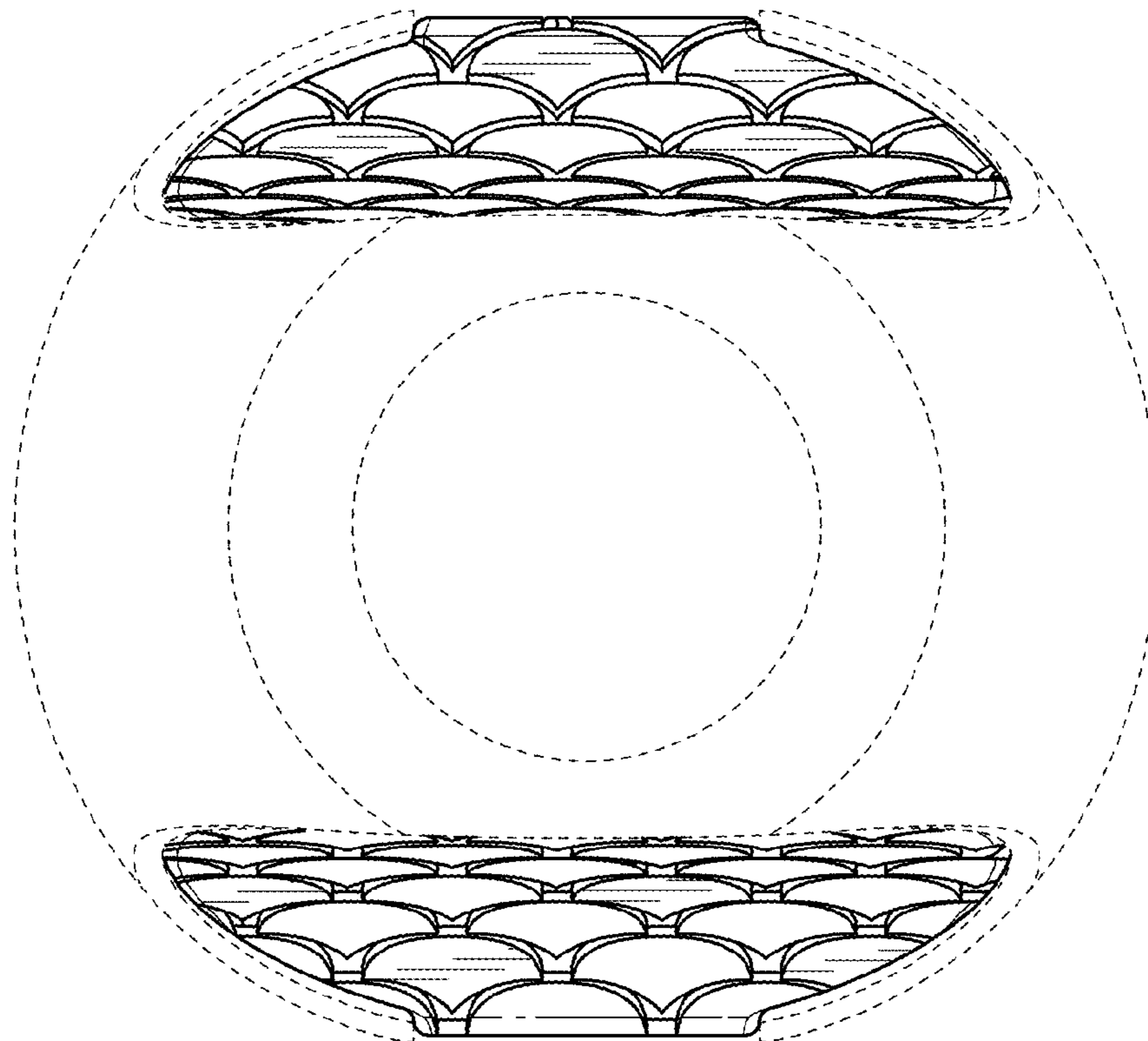


FIG. 8