



US00D887524S

(12) **United States Design Patent** (10) **Patent No.:** **US D887,524 S**
Lou (45) **Date of Patent:** **** Jun. 16, 2020**

(54) **MOSQUITO KILLING LAMP**
(71) Applicant: **Likang Lou**, Strasburg, CO (US)
(72) Inventor: **Likang Lou**, Strasburg, CO (US)
(73) Assignee: **Rechar, Inc.**, Strasburg, CO (US)
(**) Term: **15 Years**
(21) Appl. No.: **29/724,497**
(22) Filed: **Feb. 14, 2020**
(51) **LOC (12) Cl.** **22-06**
(52) **U.S. Cl.**
USPC **D22/123**
(58) **Field of Classification Search**
USPC D22/122-123; 43/107, 112-113,
43/121-122, 131, 132.1; D23/366-369
CPC A01M 1/04; A01M 1/023; A01M 1/223;
A01M 1/06; A01M 2200/012; C25B 1/00;
C25B 9/06; C25B 11/12
See application file for complete search history.

(56) **References Cited**
U.S. PATENT DOCUMENTS
3,473,251 A * 10/1969 Kahn A01M 1/223
43/112
D359,790 S * 6/1995 Blotnick D22/122
D467,987 S * 12/2002 Lin D22/122
D484,562 S * 12/2003 Casteel D22/122

D545,936 S * 7/2007 Metaxatos D22/122
D678,457 S * 3/2013 English, II D22/122
D816,182 S * 4/2018 Rubel D22/122
D868,932 S * 12/2019 Zhu D22/123
D879,239 S * 3/2020 Lin D22/122
2006/0021274 A1* 2/2006 Chen A01M 1/04
43/112
2019/0159440 A1* 5/2019 Zheng A01M 1/06

OTHER PUBLICATIONS

https://www.zoro.com/dynatrap-insect-killer-outdoor-use-only-12w-dt2000xlp/i/G1628083/feature-product?gclid=EALalQobChMlve7Dz_LR5w1VxBx9Ch3xgQibEAQYBSABEgK5NvD_BwE

* cited by examiner

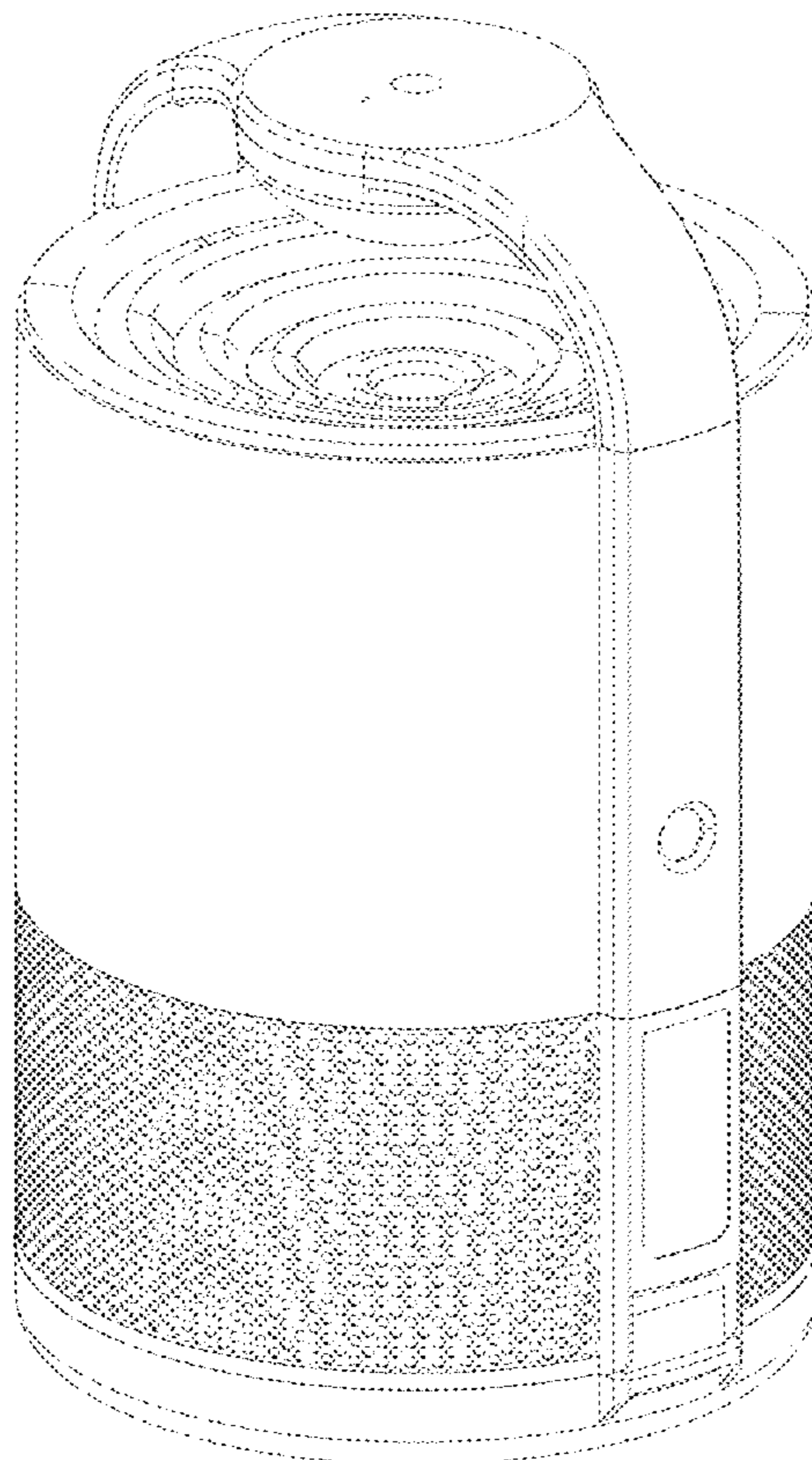
Primary Examiner — Catherine R Oliver-Garcia
(74) *Attorney, Agent, or Firm* — Justin Lampel

(57) **CLAIM**
The ornamental design for a mosquito killing lamp, as shown and described.

DESCRIPTION

FIG. 1 is a perspective view of a mosquito killing lamp, showing the claimed design;
FIG. 2 is a top plan view thereof;
FIG. 3 is a rear elevational view thereof;
FIG. 4 is a bottom plan view thereof;
FIG. 5 is a right side view thereof;
FIG. 6 is a front elevational view thereof; and,
FIG. 7 is a left side view thereof.

1 Claim, 7 Drawing Sheets



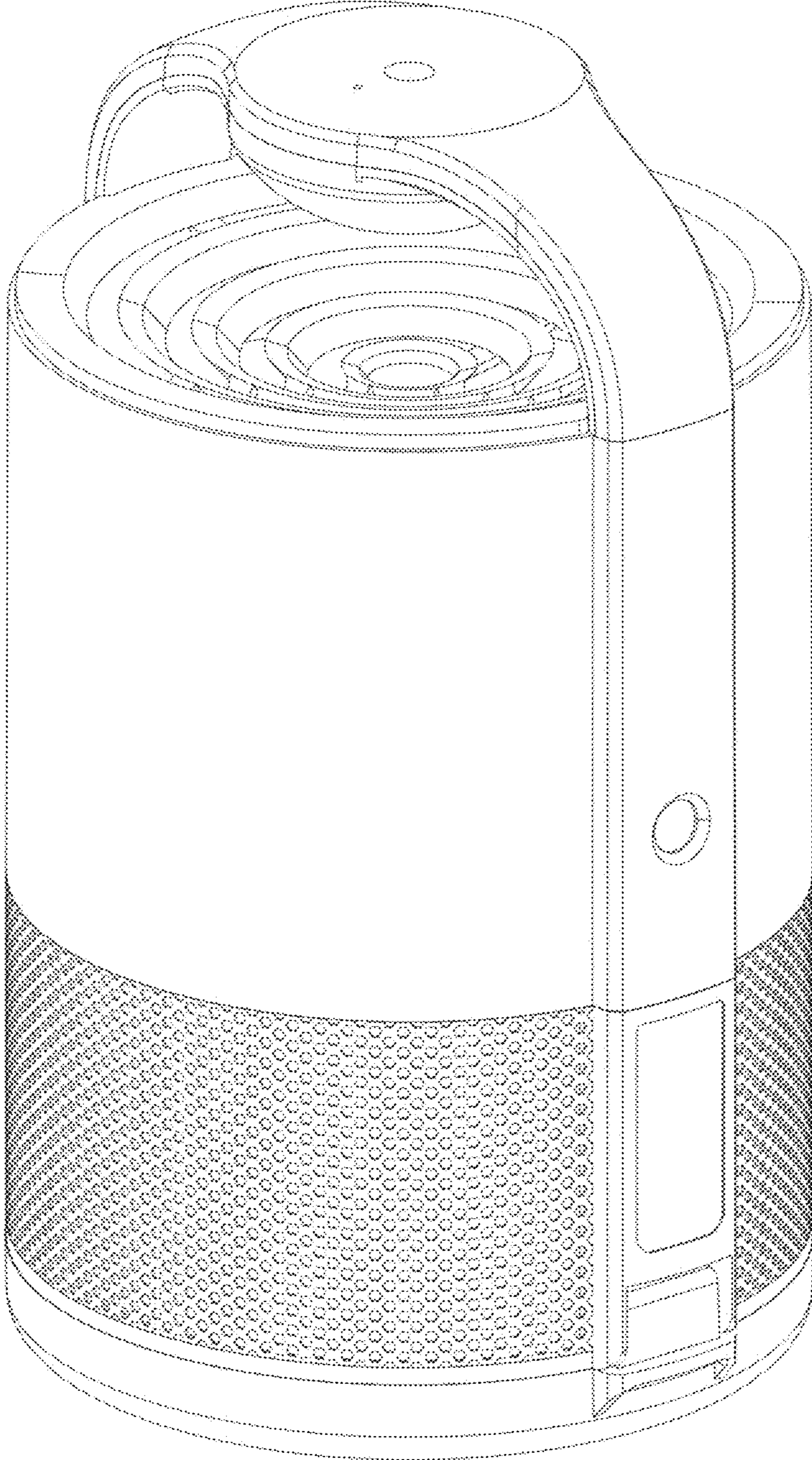


FIG. 1

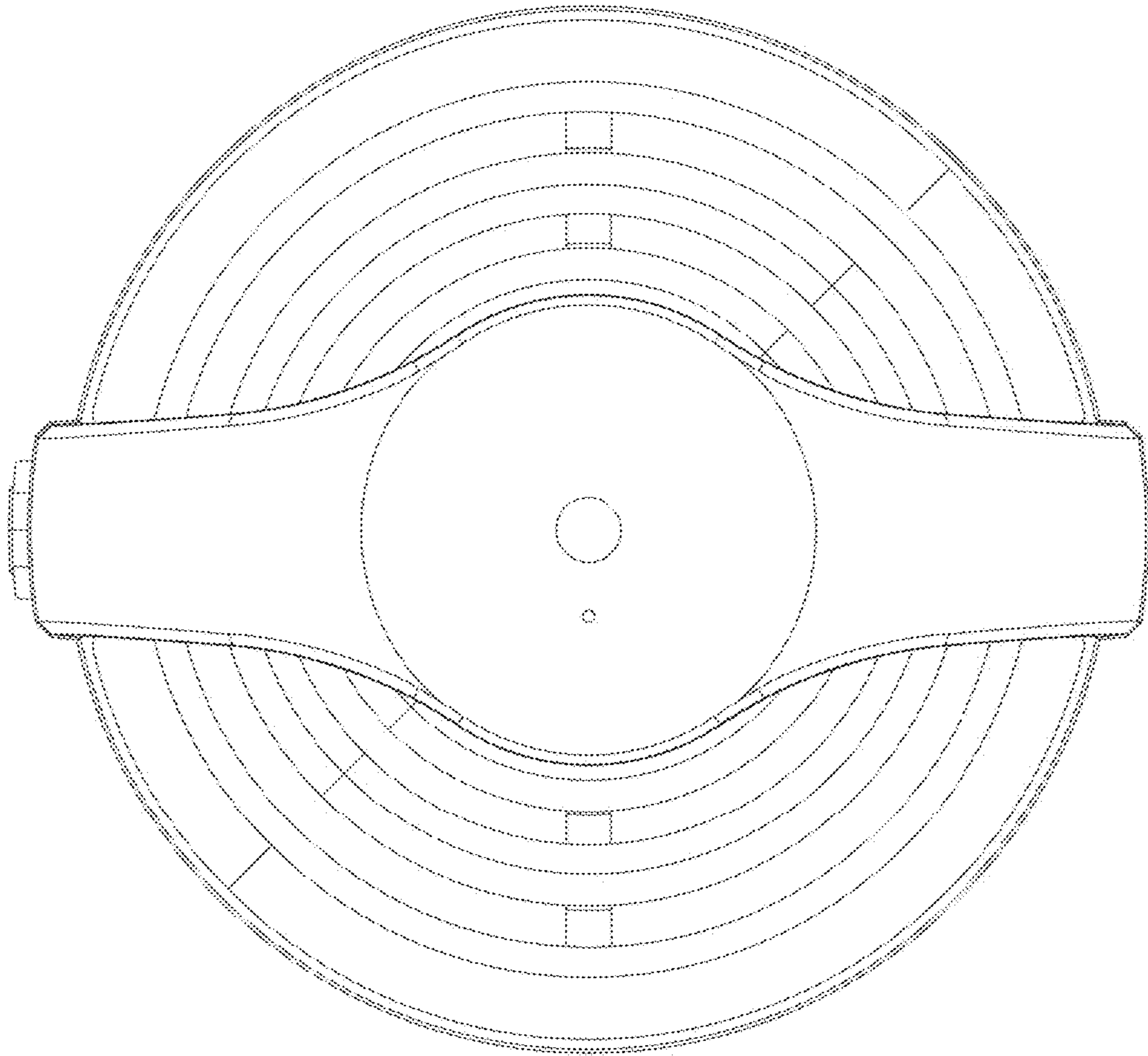


FIG.2

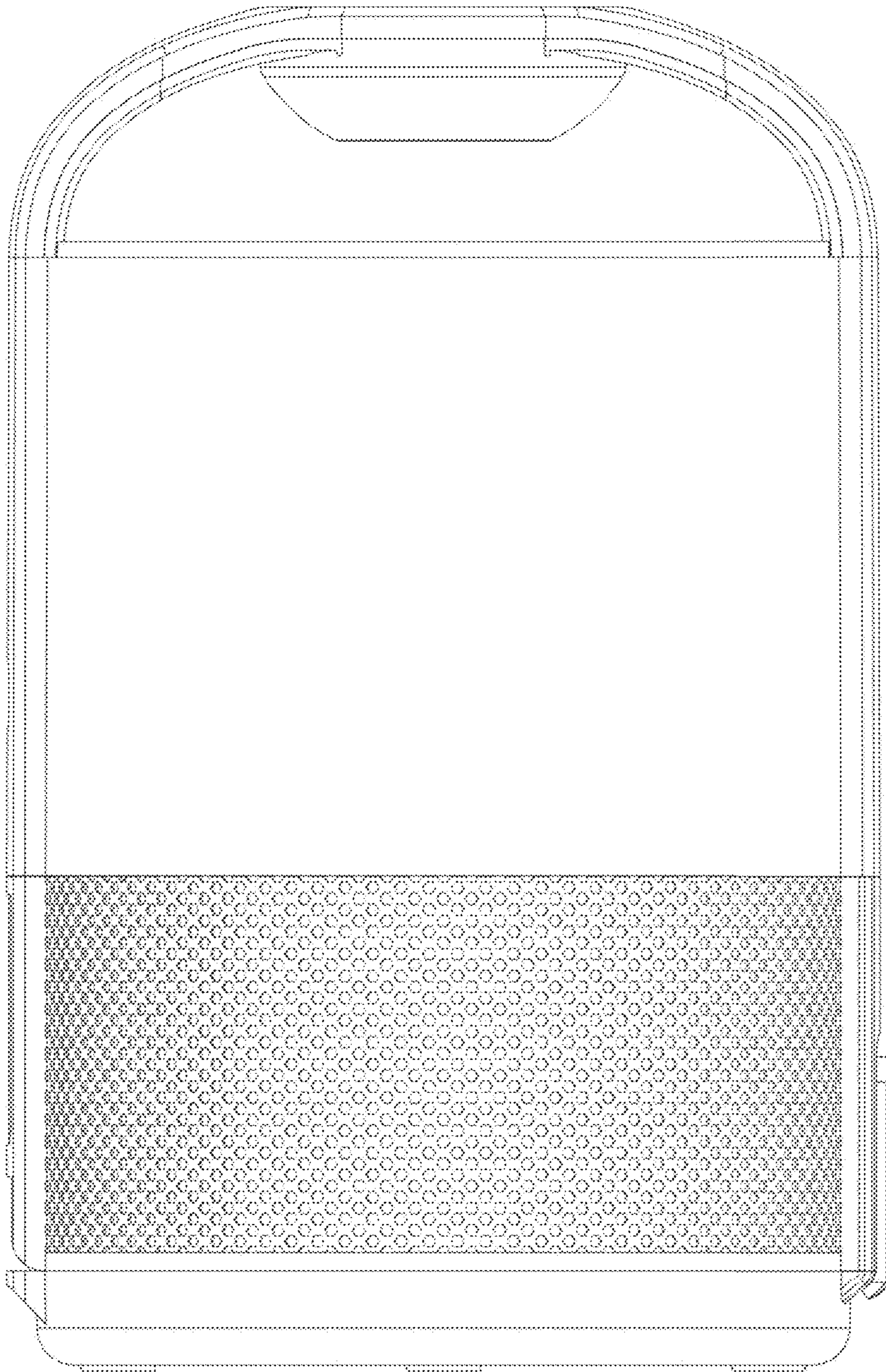


FIG.3

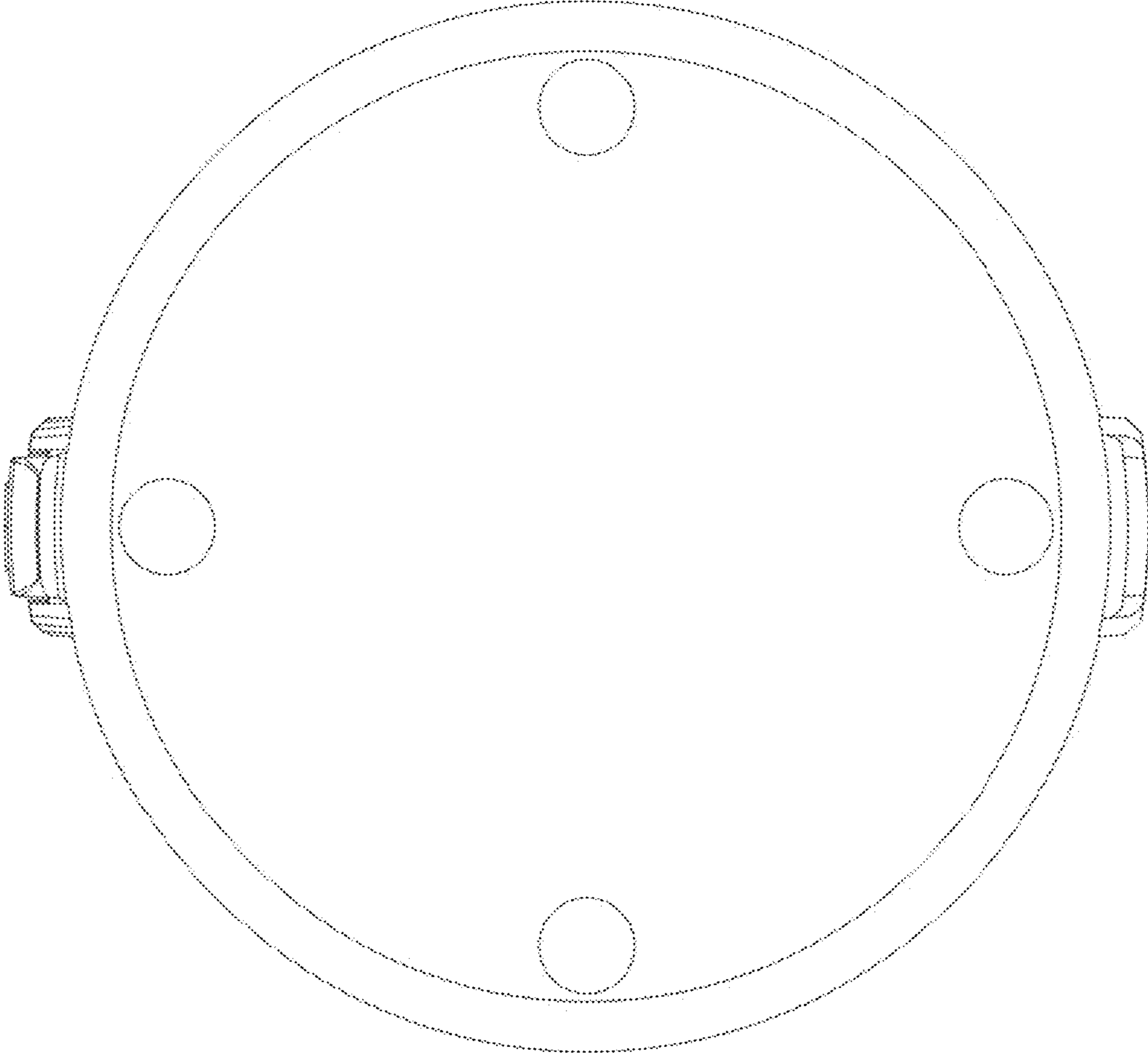


FIG.4

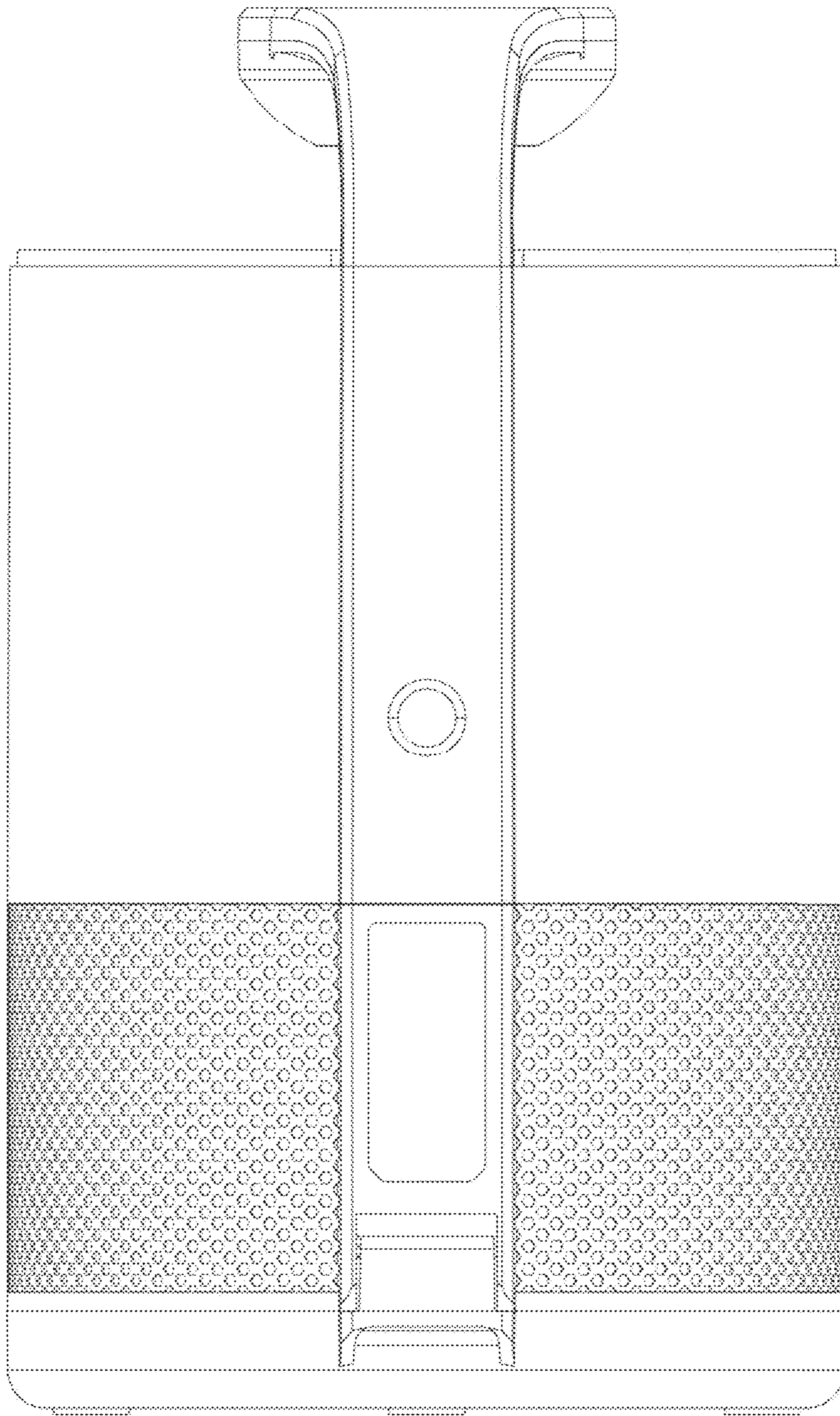


FIG.5

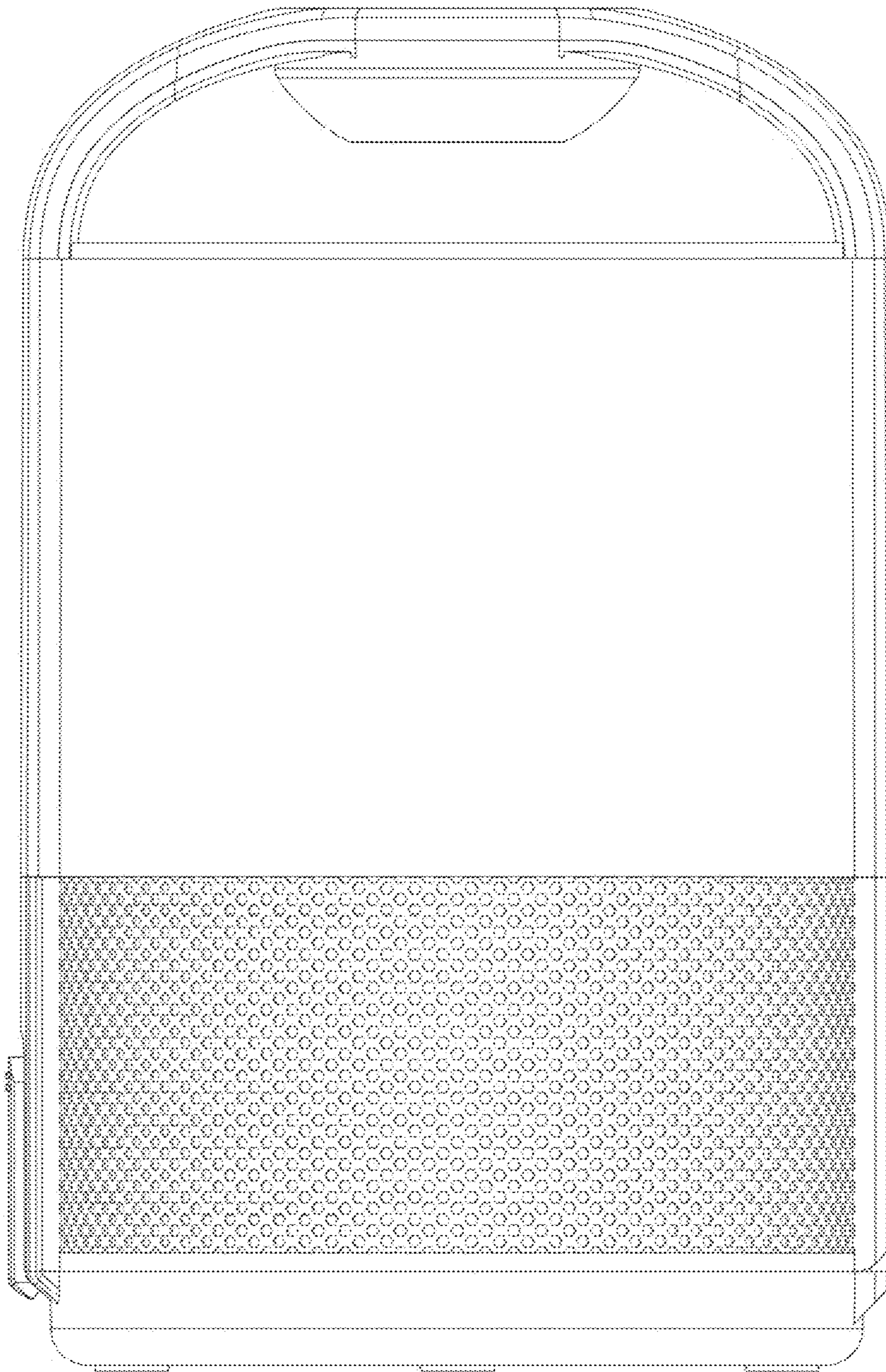


FIG.6

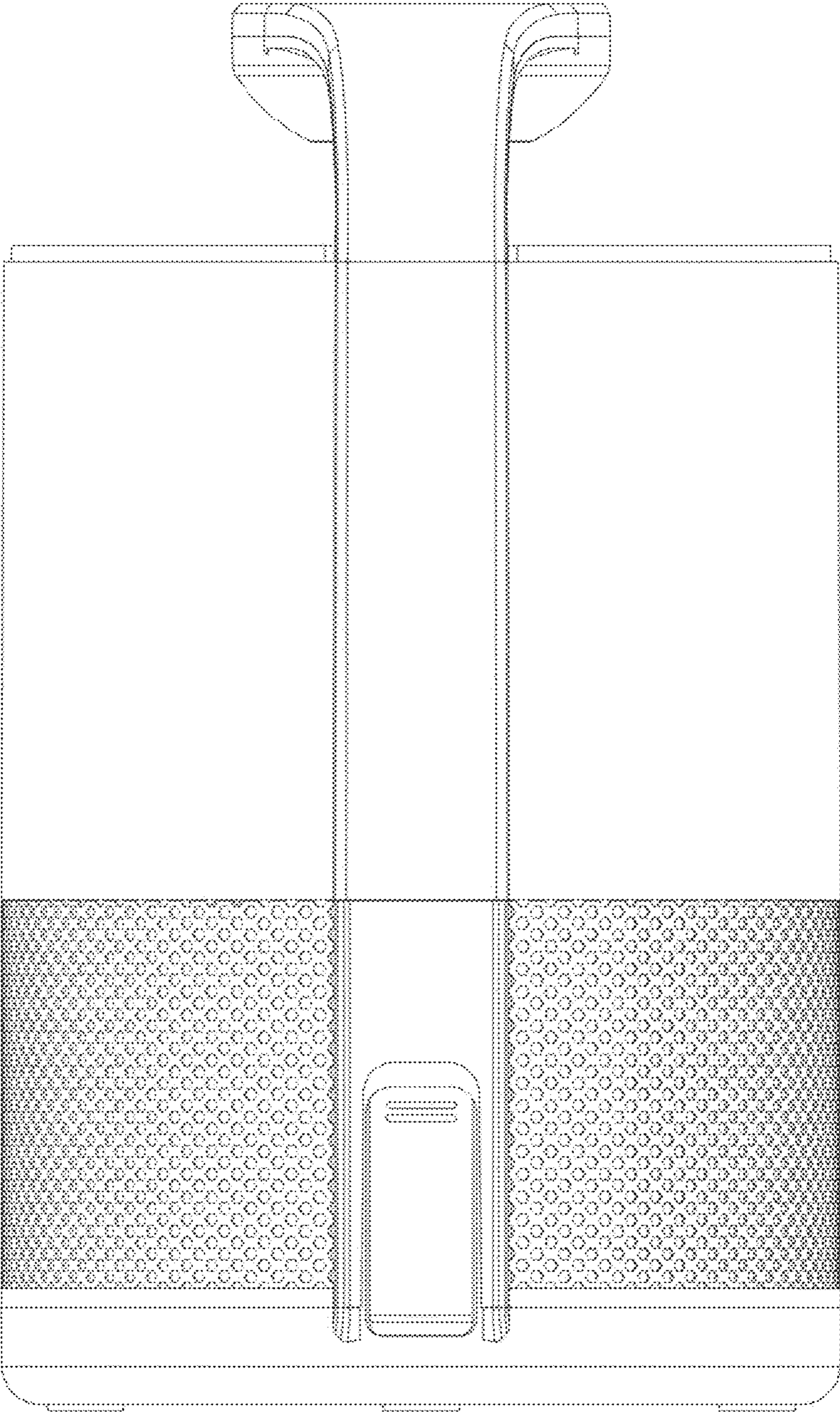


FIG.7

UNITED STATES PATENT AND TRADEMARK OFFICE
CERTIFICATE OF CORRECTION

PATENT NO. : D887,524 S
APPLICATION NO. : 29/724497
DATED : June 16, 2020
INVENTOR(S) : Likang Luo

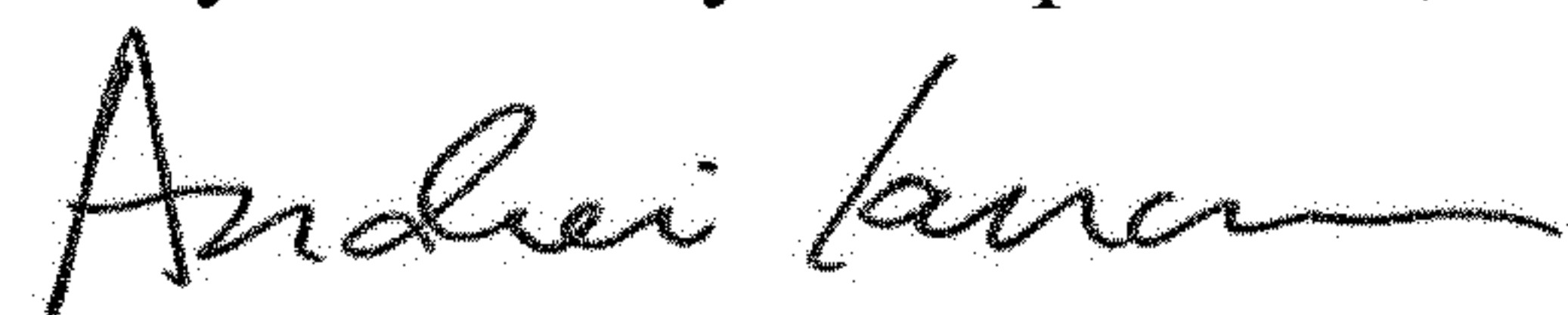
Page 1 of 1

It is certified that error appears in the above-identified patent and that said Letters Patent is hereby corrected as shown below:

On the Title Page

(72) Inventors, should read:
Likang Luo Strasburg, CO (US)

Signed and Sealed this
Twenty-ninth Day of September, 2020



Andrei Iancu
Director of the United States Patent and Trademark Office