



US00D887523S

(12) **United States Design Patent** (10) **Patent No.:** **US D887,523 S**
Swietoslowski (45) **Date of Patent:** **** Jun. 16, 2020**

(54) **INSECT TRAP**
(71) Applicant: **ICB PHARMA Spolka Jawna Tomasz Swietoslowski, Pawel Swietoslowski, Jaworzno (PL)**
(72) Inventor: **Tomasz Swietoslowski, Jaworzno (PL)**
(73) Assignee: **ICB PHARMA SPOLKA JAWNA TOMASZ SWIETOSLAWSKI, PAWEL SWIETOSLAWSKI (PL)**

D458,639 S *	6/2002	Anderson	D19/82
D543,244 S *	5/2007	Tsuruha	D19/73
D579,163 S *	10/2008	Schablinger	D32/29.1
D714,416 S *	9/2014	Sehl	D22/122
D716,907 S *	11/2014	Zhang	D22/122
D778,398 S *	2/2017	Leier	D22/122
D778,399 S *	2/2017	Leier	D22/122
D789,481 S *	6/2017	Rubel	D22/122
D793,363 S *	8/2017	Zhang	D14/216
D831,783 S *	10/2018	Willert	D22/122
D837,931 S *	1/2019	Timper	D22/122

(**) Term: **15 Years**

(21) Appl. No.: **29/676,567**

(22) Filed: **Jan. 11, 2019**

(30) **Foreign Application Priority Data**

Jul. 25, 2018 (EM) 005513876-0004

(51) **LOC (12) Cl.** **22-06**

(52) **U.S. Cl.**
USPC **D22/122**

(58) **Field of Classification Search**
USPC D22/122; D30/115, 117, 124, 128;
D21/488; D14/204, 216, 221; D32/29.1;
D26/37; D9/424, 428; 43/107, 113-117,
43/121-122, 131, 132.1; D6/524-525,
D6/528, 534; D23/261; D28/73;
D19/73, 77-78, 80-82
CPC A01M 1/02; A01M 1/106; A01N 25/18;
A01N 25/34
See application file for complete search history.

(56) **References Cited**

U.S. PATENT DOCUMENTS

D337,614 S *	7/1993	Turner	D19/82
D388,464 S *	12/1997	Najbart	D19/78

FOREIGN PATENT DOCUMENTS

EM	002729350-0001	7/2015
EM	002729350-0002	7/2015
EM	002729350-0003	7/2015

* cited by examiner

Primary Examiner — Catherine R Oliver-Garcia
(74) *Attorney, Agent, or Firm* — Ware, Fressola, Maguire & Barber LLP

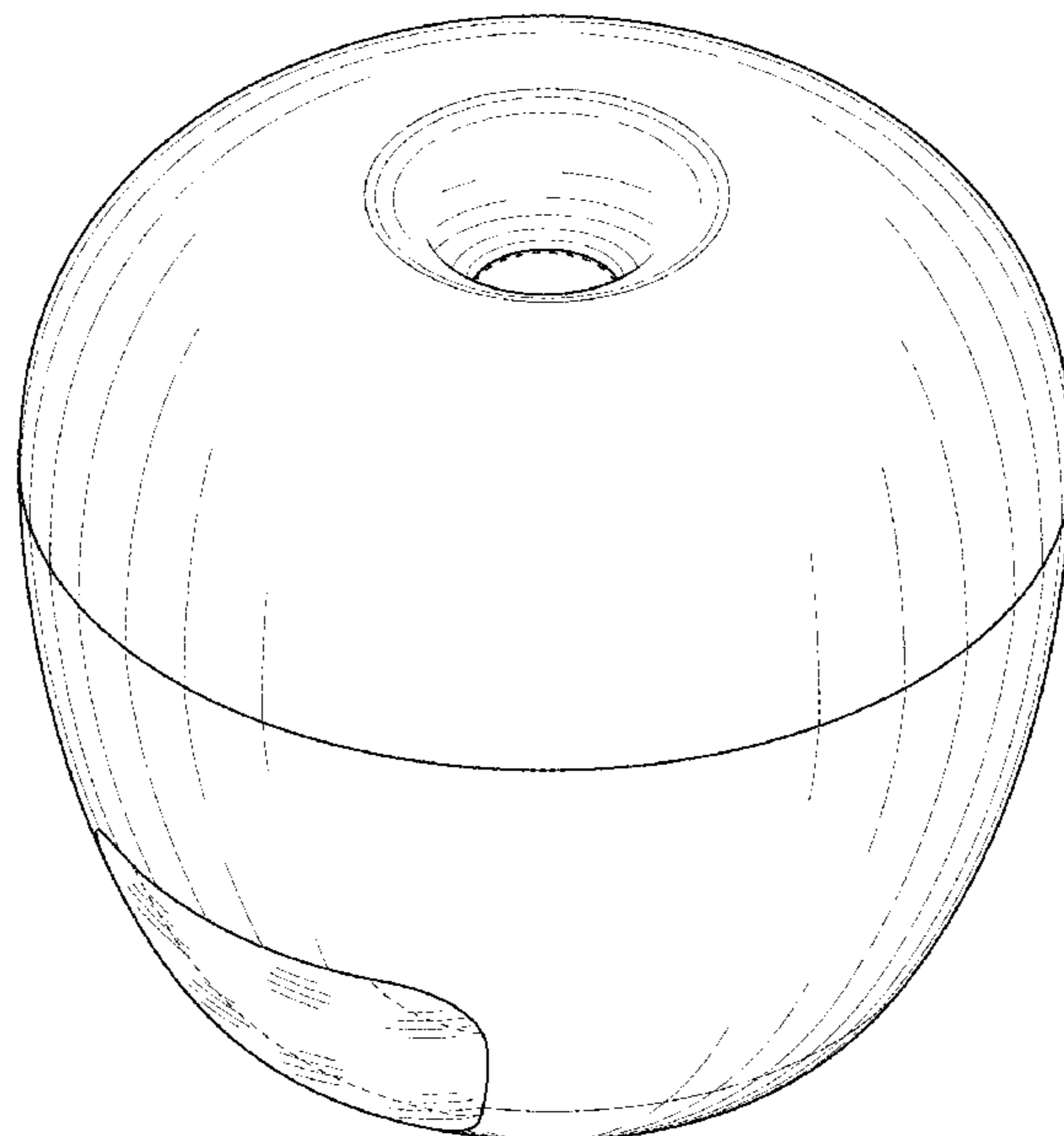
(57) **CLAIM**

I claim the ornamental design for an insect trap, as shown and described.

DESCRIPTION

FIG. 1 is a top perspective view of the insect trap;
FIG. 2 is a bottom perspective view of the insect trap;
FIG. 3 is a front elevational view of the insect trap which is the same as a back elevational view;
FIG. 4 is a left side elevational view of the insect trap which is the same as a right side elevational view;
FIG. 5 is a top plan view of the insect trap; and,
FIG. 6 is a bottom plan view of the insect trap.
The broken lines depict environmental structure and are for illustrative purposes only and form no part of the claimed design.

1 Claim, 6 Drawing Sheets



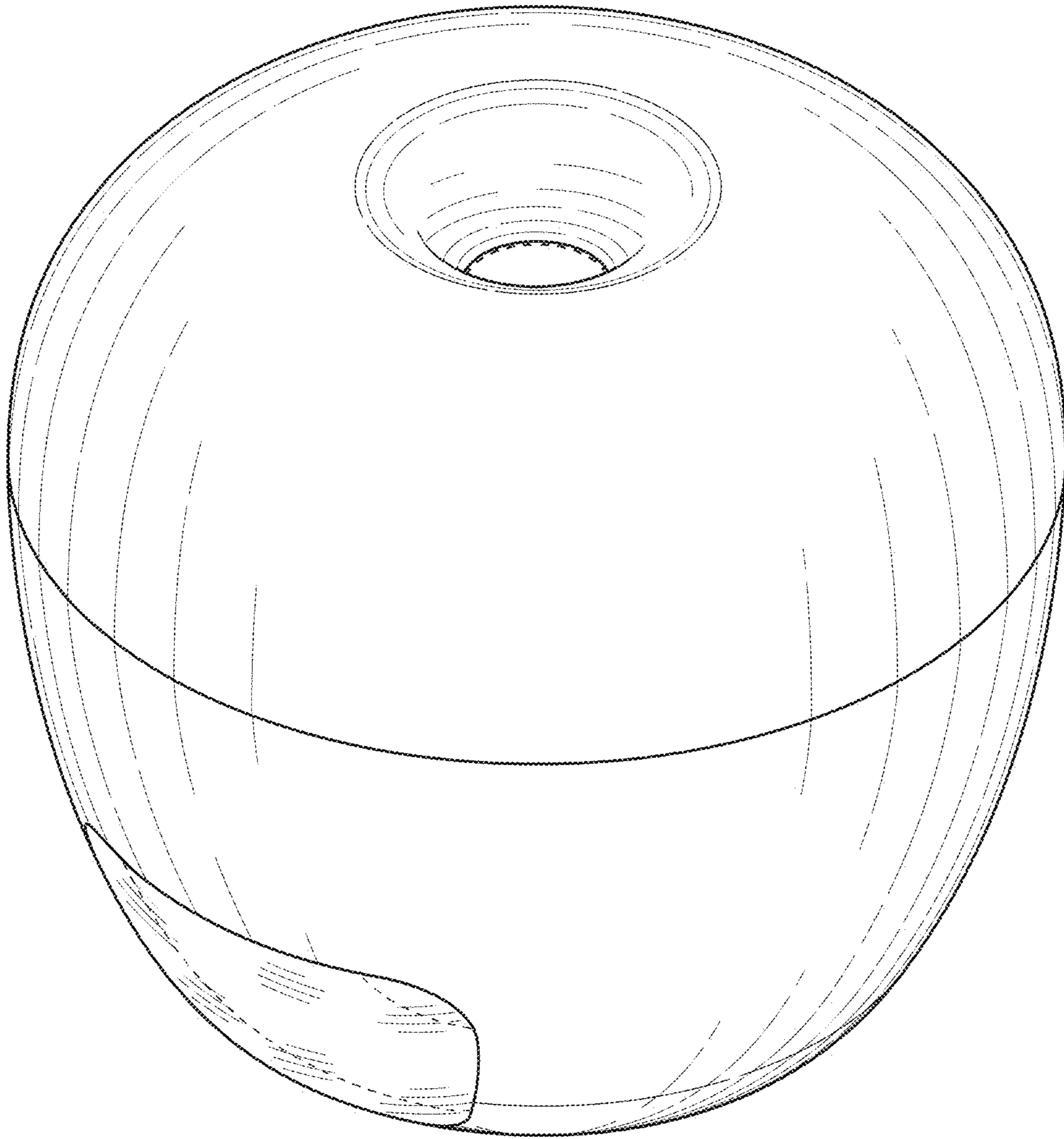


FIG. 1

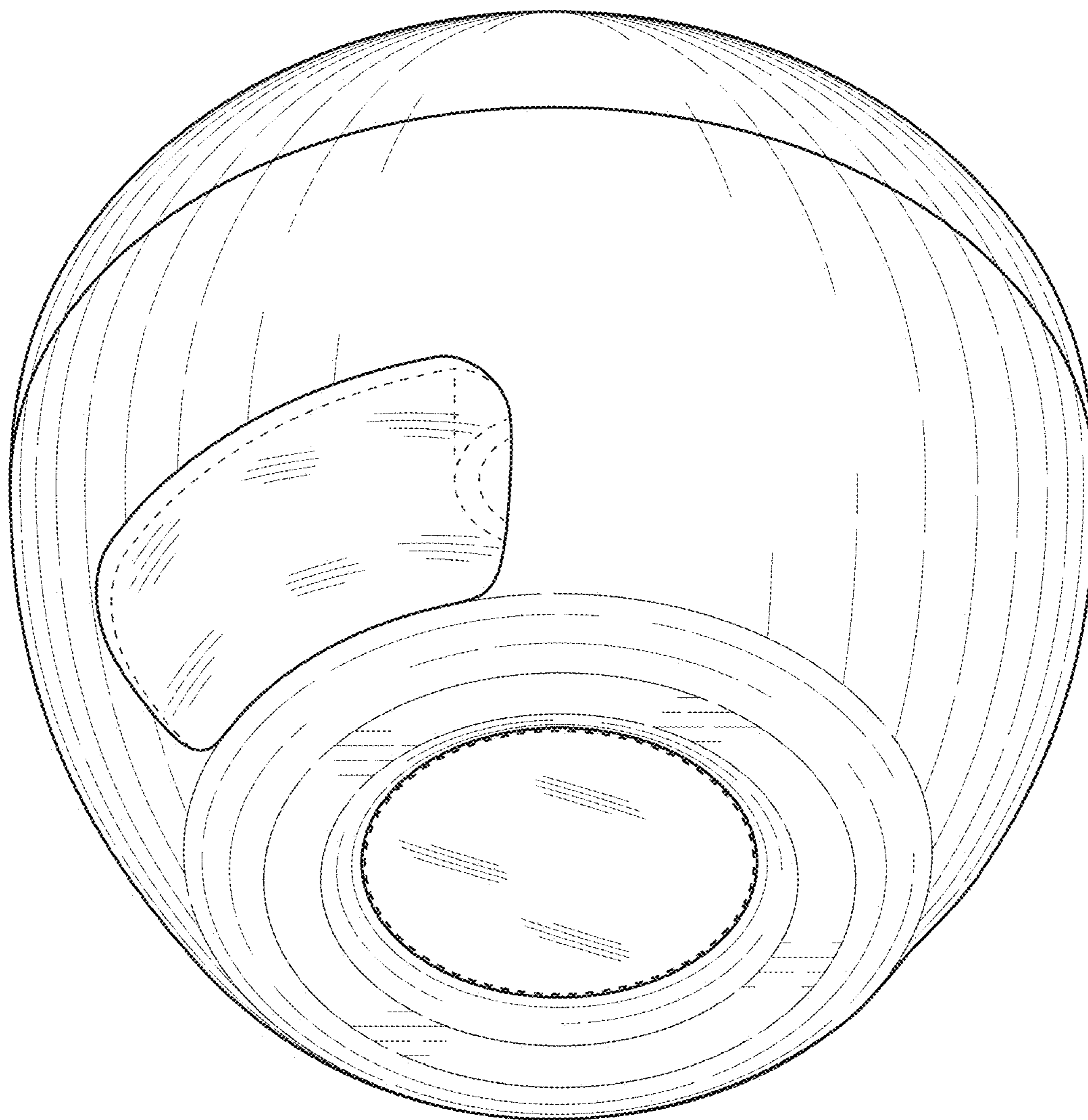


FIG. 2

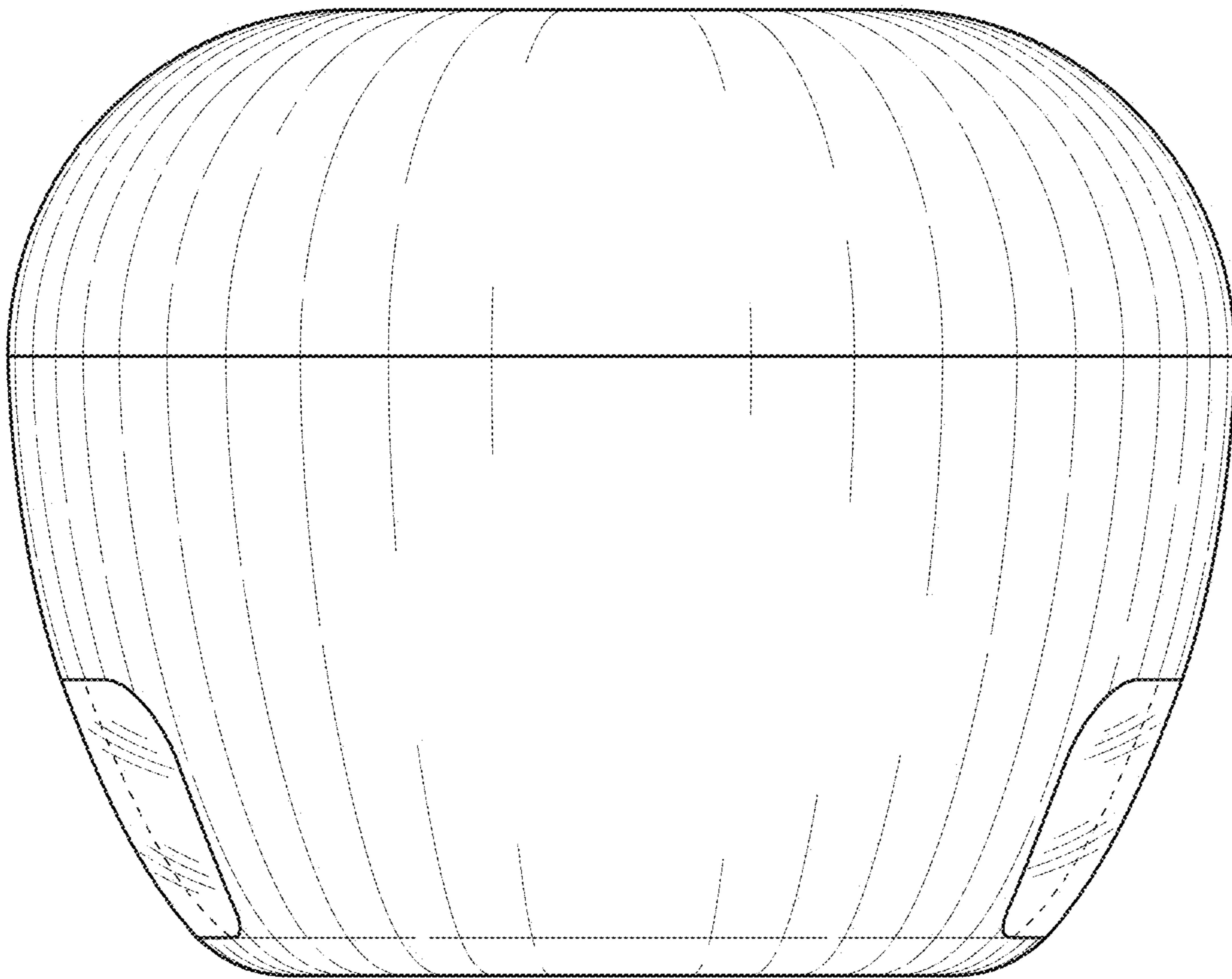


FIG. 3

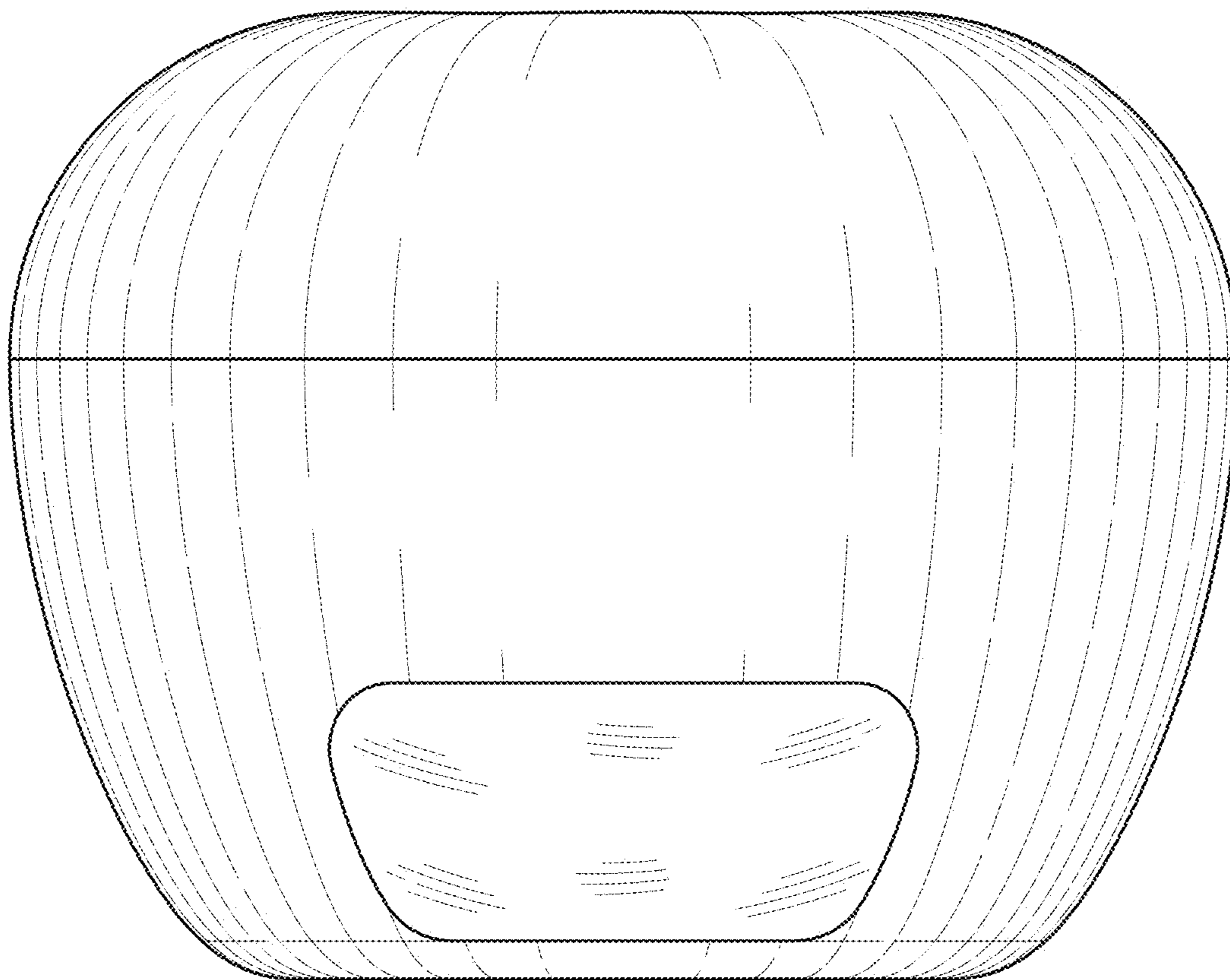


FIG. 4

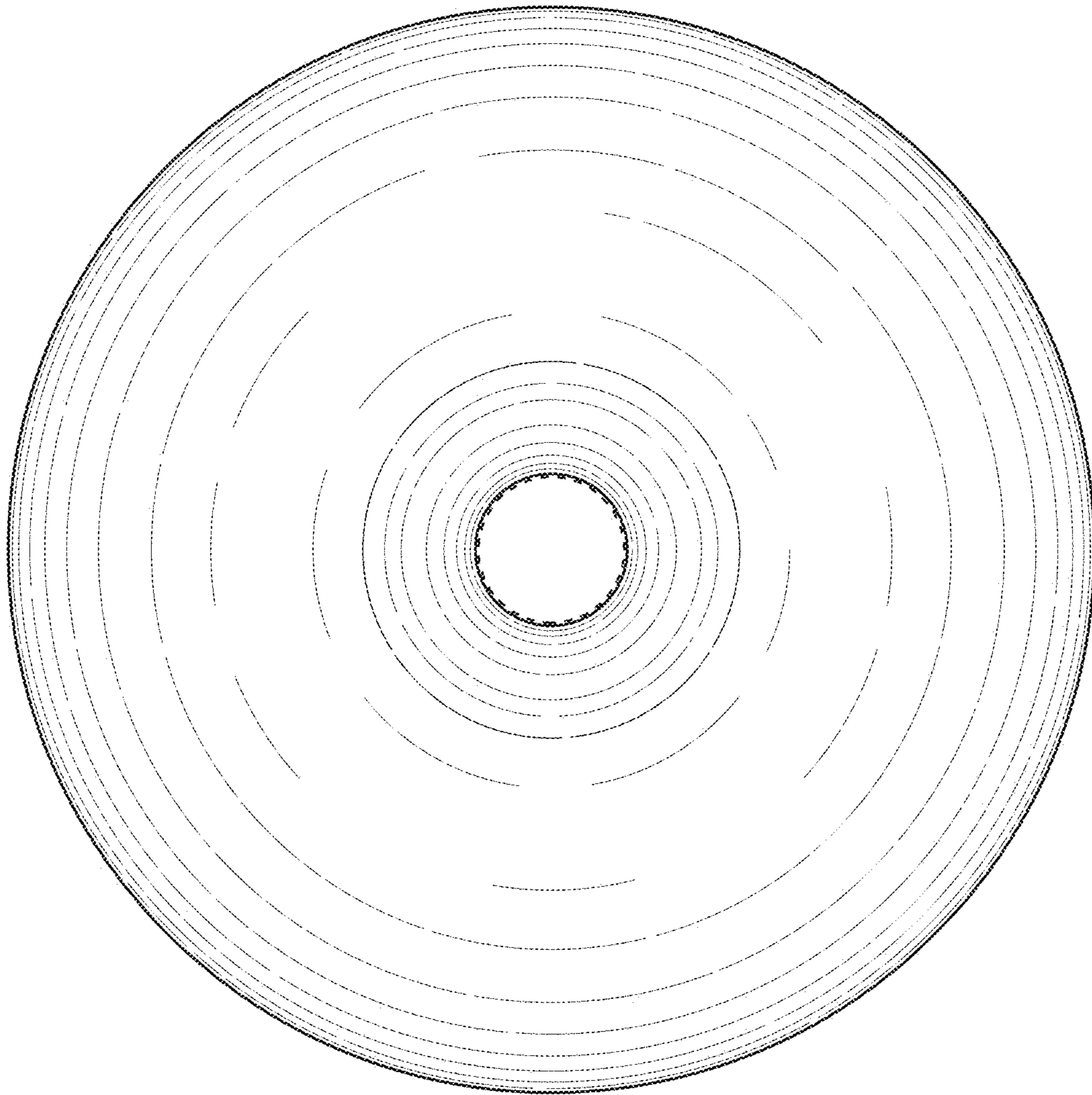


FIG. 5

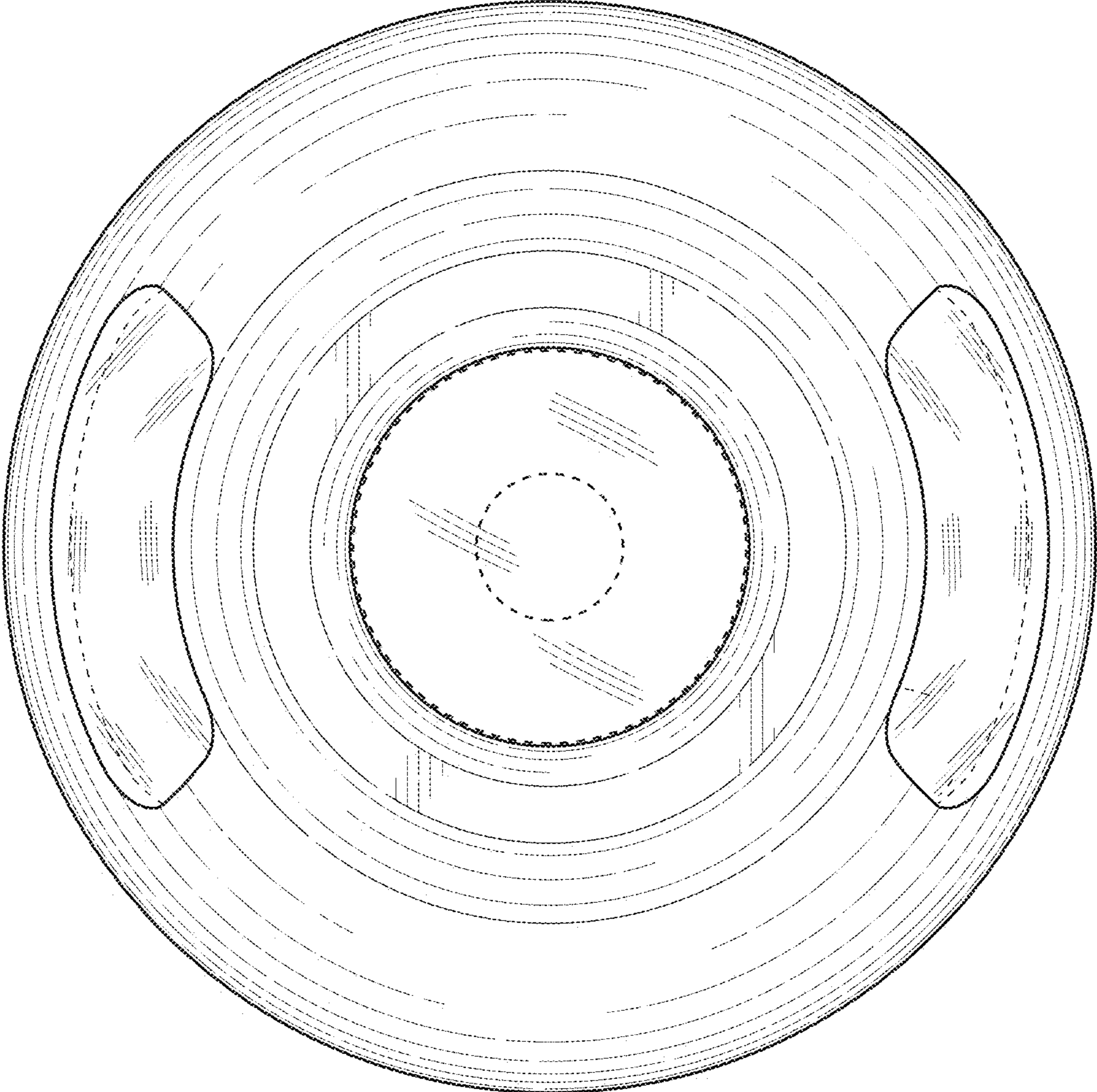


FIG. 6