



US00D887522S

(12) **United States Design Patent** (10) **Patent No.:** **US D887,522 S**  
**Swietoslowski** (45) **Date of Patent:** **\*\* Jun. 16, 2020**

(54) **INSECT TRAP**  
(71) Applicant: **ICB PHARMA Spolka Jawna Tomasz Swietoslowski, Pawel Swietoslowski, Jaworzno (PL)**  
(72) Inventor: **Tomasz Swietoslowski, Jaworzno (PL)**  
(73) Assignee: **ICB PHARMA Spolka Jawna Tomasz Swietoslowski, Pawel Swietoslowski (PL)**

D564,061 S \* 3/2008 Studer ..... D22/122  
D579,163 S \* 10/2008 Schablinger ..... D32/29.1  
D714,416 S \* 9/2014 Sehl ..... D22/122  
D716,907 S \* 11/2014 Zhang ..... D22/122  
D778,398 S \* 2/2017 Leier ..... D22/122  
D778,399 S \* 2/2017 Leier ..... D22/122  
D789,481 S \* 6/2017 Rubel ..... D22/122  
D793,363 S \* 8/2017 Zhang ..... D14/216  
D831,783 S \* 10/2018 Willed ..... D22/122  
D837,931 S \* 1/2019 Timper ..... D22/122  
D858,683 S \* 9/2019 Leier ..... D22/122  
2008/0196296 A1\* 8/2008 Studer ..... A01M 1/02  
43/114

(\*\*) Term: **15 Years**

**FOREIGN PATENT DOCUMENTS**

(21) Appl. No.: **29/676,527**

EM 002729350-0001 7/2015  
EM 002729350-0002 7/2015  
EM 002729350-0003 7/2015

(22) Filed: **Jan. 11, 2019**

\* cited by examiner

(30) **Foreign Application Priority Data**

Jul. 25, 2018 (EM) ..... 005513876-0001

*Primary Examiner* — Catherine R Oliver-Garcia  
(74) *Attorney, Agent, or Firm* — Ware, Fressola, Maguire & Barber LLP

(51) **LOC (12) Cl.** ..... **22-06**

(52) **U.S. Cl.**  
USPC ..... **D22/122**

(57) **CLAIM**

(58) **Field of Classification Search**  
USPC ..... D22/122; D30/115, 117, 124, 128;  
D21/488; D14/204, 216, 221; D32/29.1;  
D26/37; D9/424, 428; 43/107, 113–117,  
43/121–122, 131, 132.1; D6/524–525,  
D6/528, 534; D23/261; D28/73;  
D19/77–78, 80–82  
CPC ..... A01M 1/02; A01M 1/106; A01N 25/18;  
A01N 25/34  
See application file for complete search history.

I claim the ornamental design for an insect trap, as shown and described.

**DESCRIPTION**

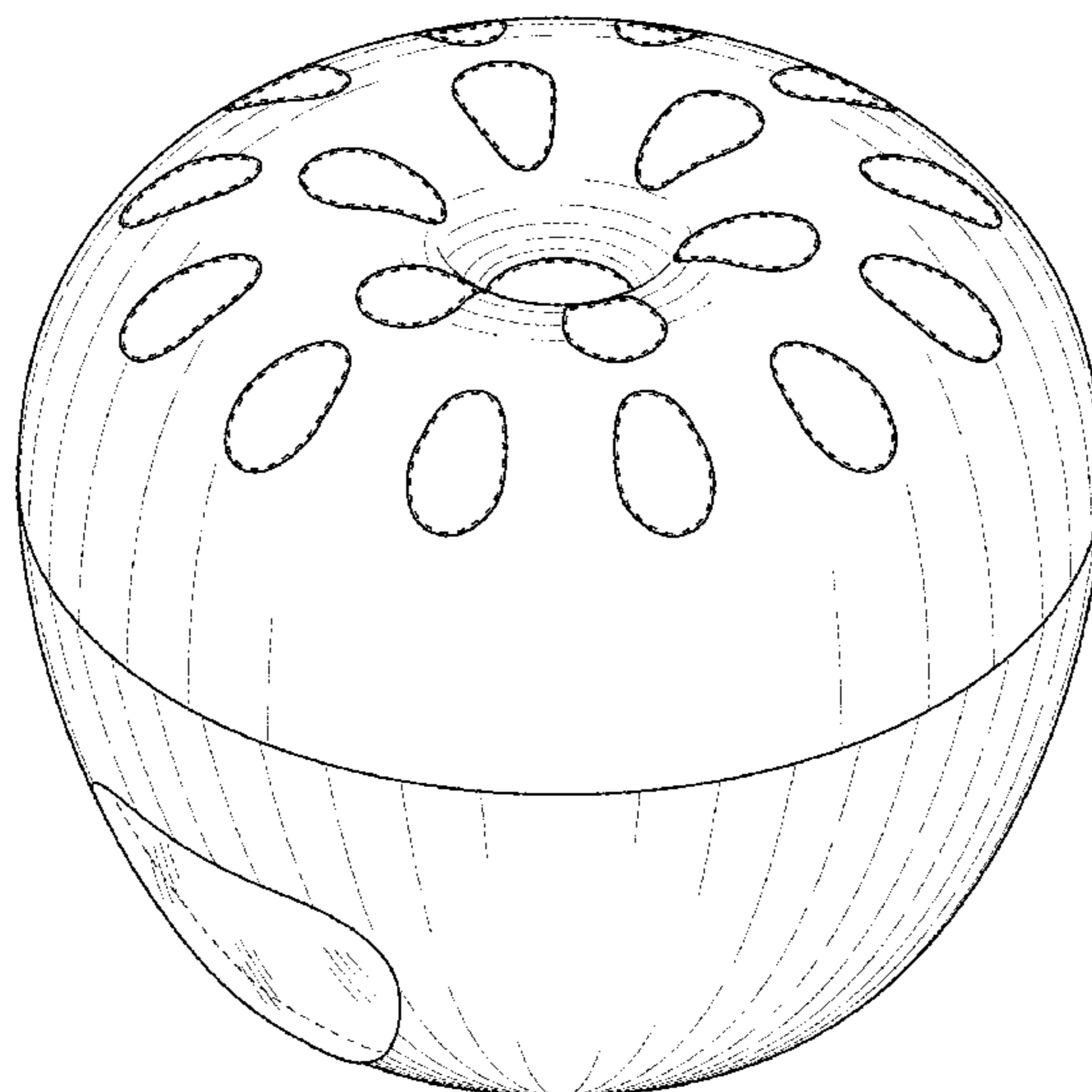
(56) **References Cited**

**U.S. PATENT DOCUMENTS**

D337,614 S \* 7/1993 Turner ..... D19/77  
D388,464 S \* 12/1997 Najbart ..... D19/78  
D458,639 S \* 6/2002 Anderson ..... D19/82  
D543,244 S \* 5/2007 Tsuruha ..... D19/73

FIG. 1 is a top perspective view of the insect trap;  
FIG. 2 is a bottom perspective view of the insect trap;  
FIG. 3 is a front elevational view of the insect trap which is the same as a back elevational view;  
FIG. 4 is a left side elevational view of the insect trap which is the same as a right side elevational view;  
FIG. 5 is a top plan view of the insect trap; and,  
FIG. 6 is a bottom plan view of the insect trap.  
The broken lines depict environmental structure and are for illustrative purposes only and form no part of the claimed design.

**1 Claim, 6 Drawing Sheets**



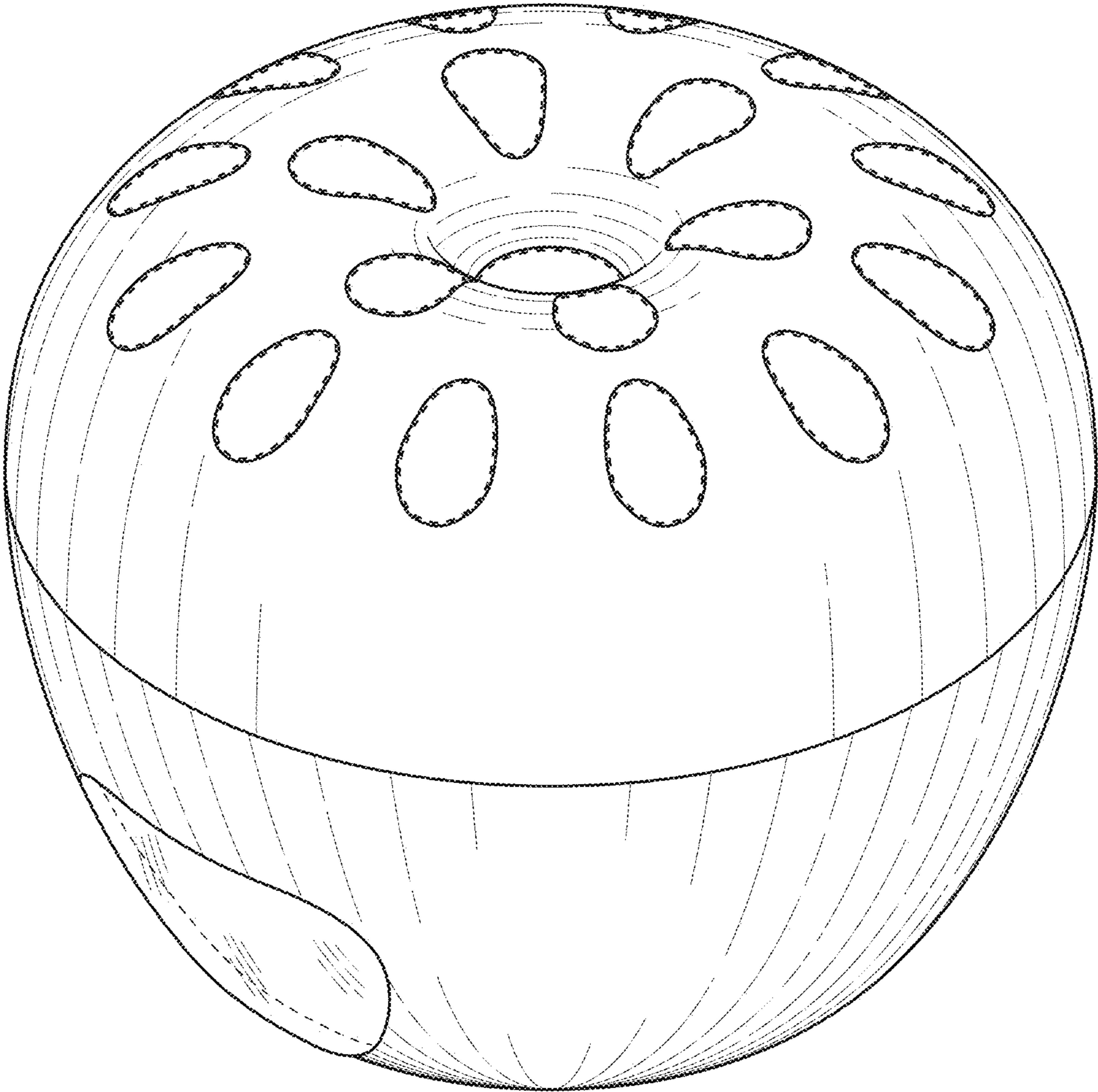


FIG. 1

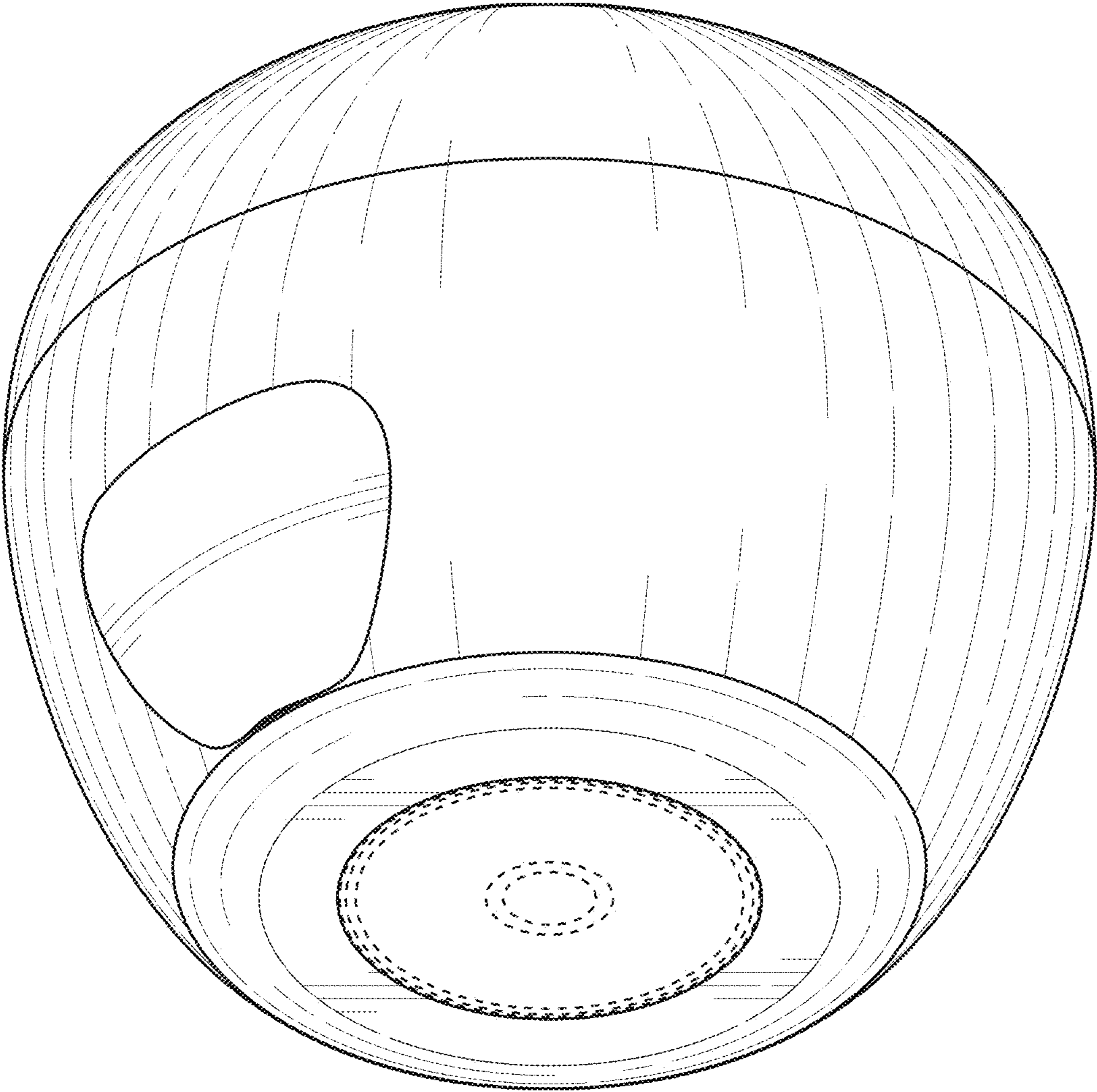


FIG. 2

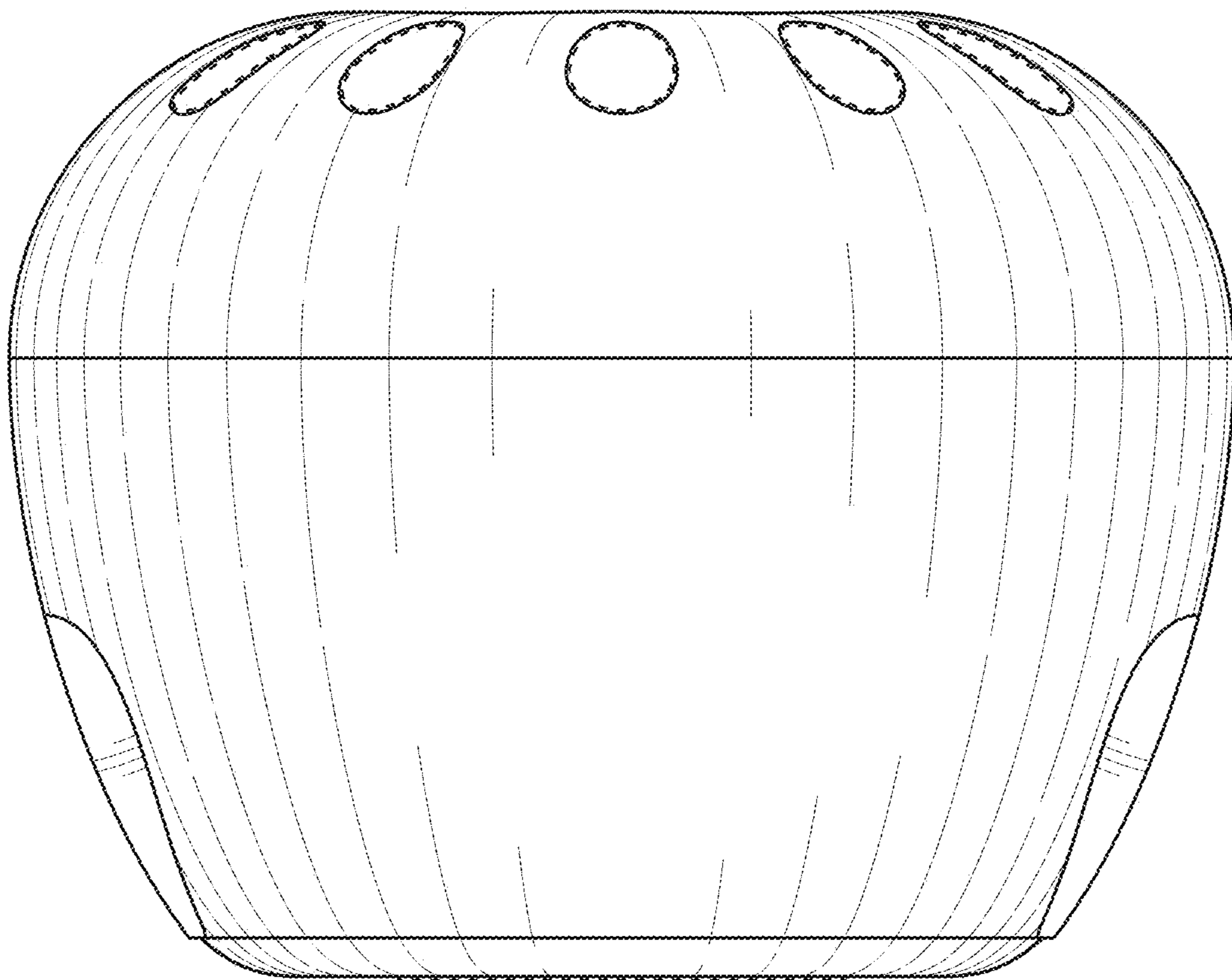


FIG. 3

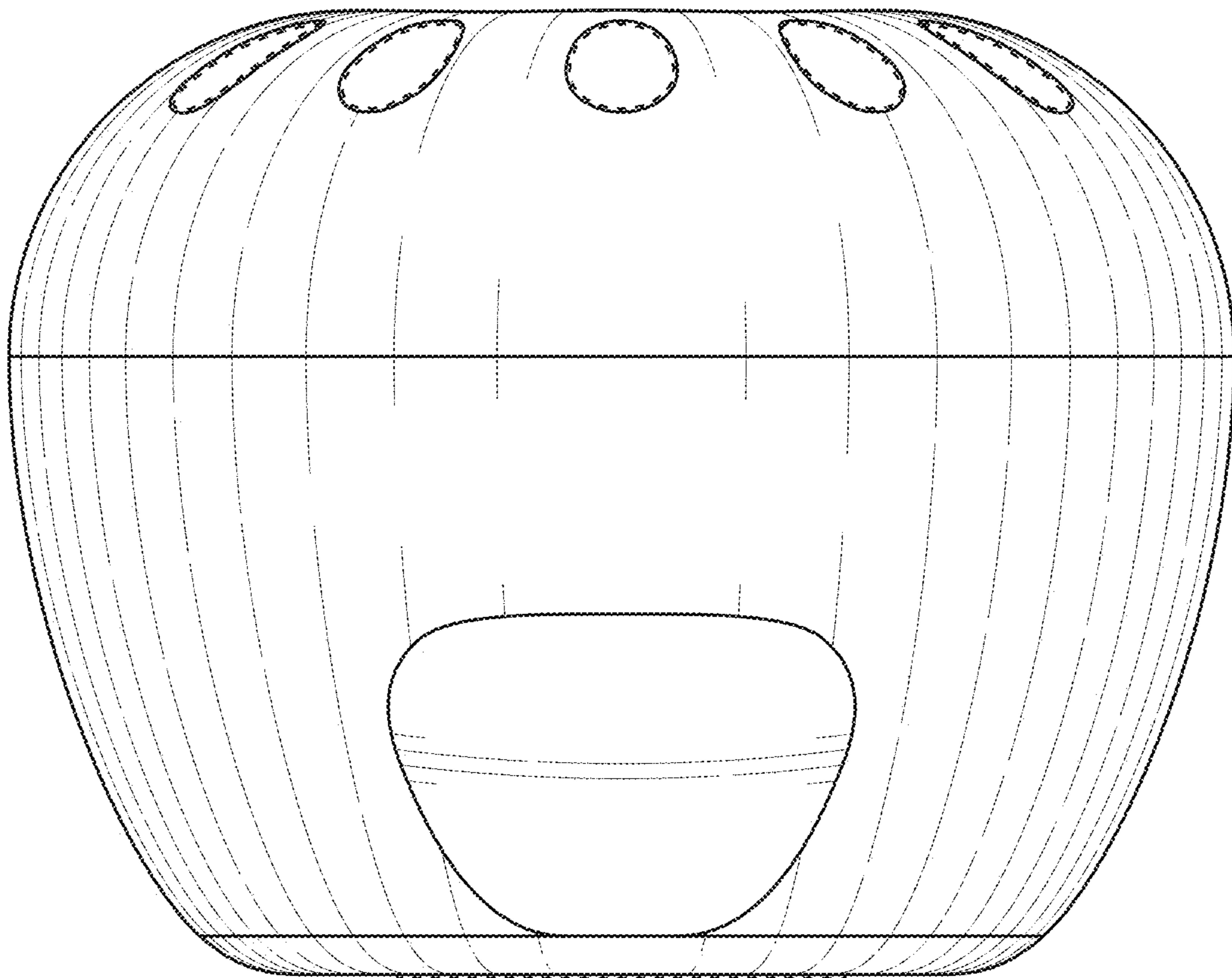


FIG. 4

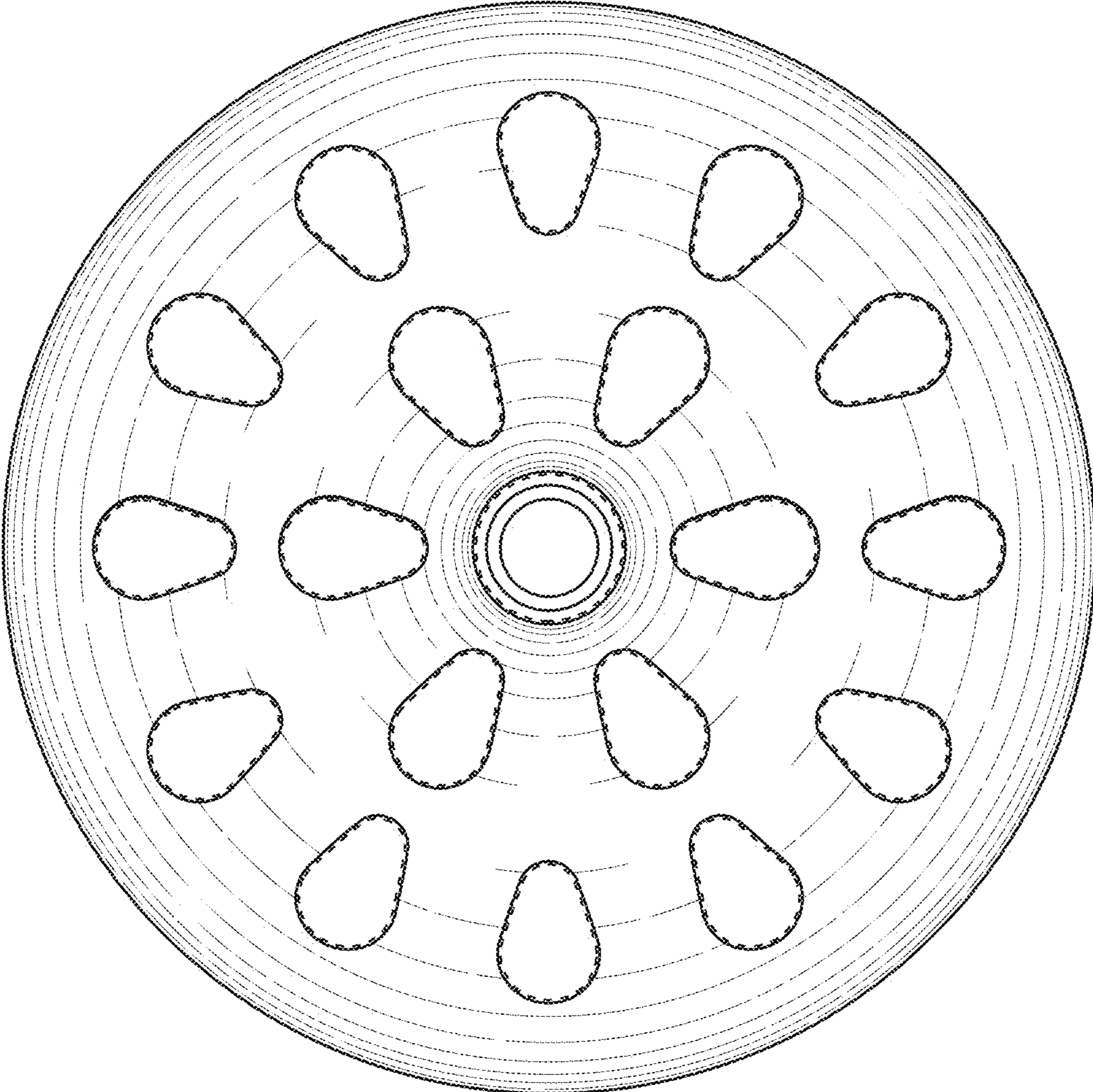


FIG. 5

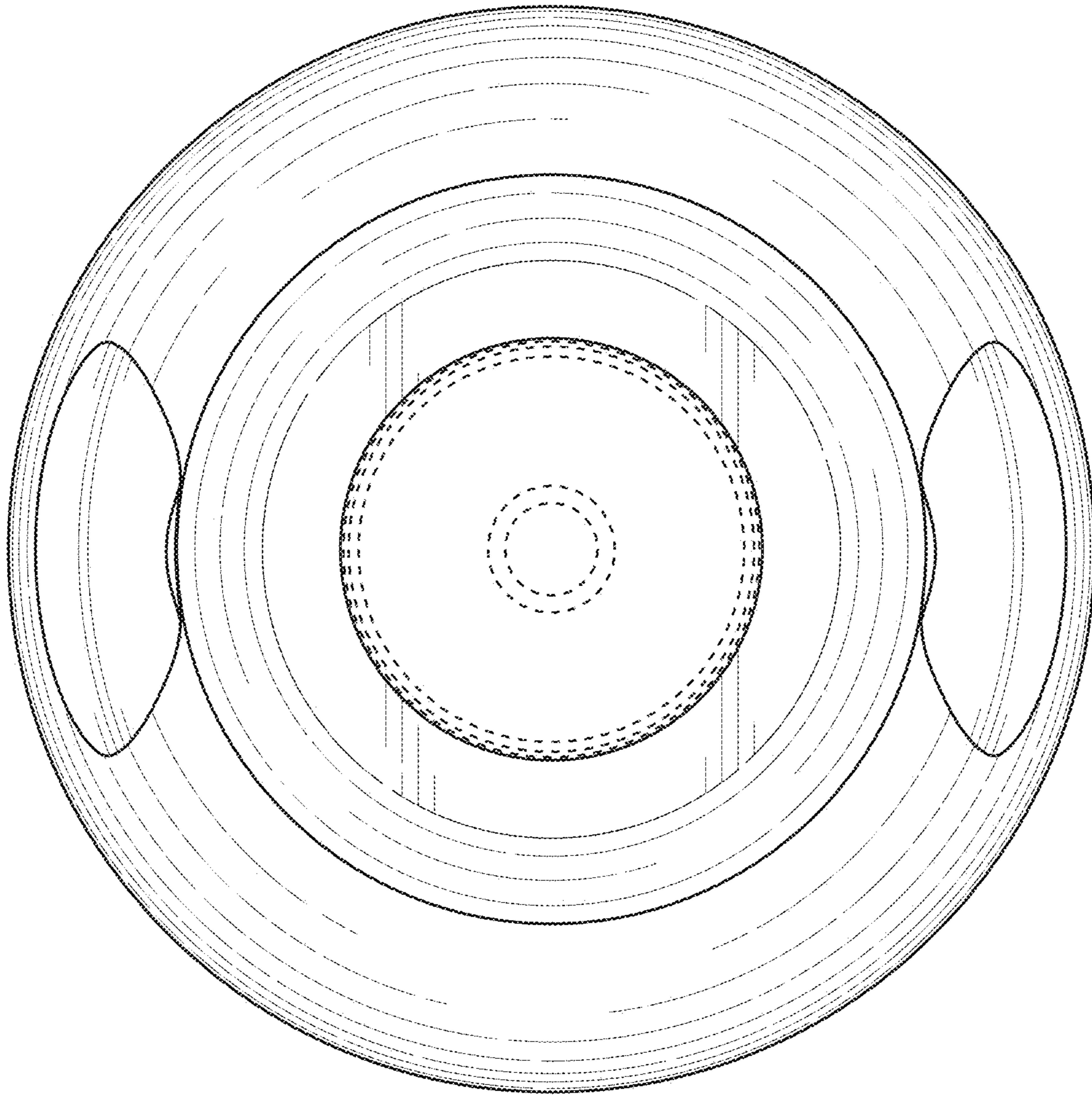


FIG. 6