



US00D887521S

(12) **United States Design Patent** (10) **Patent No.:** **US D887,521 S**
He (45) **Date of Patent:** **** Jun. 16, 2020**

(54) **MOLE REPELLER**
(71) Applicant: **Chao He**, Shenzhen (CN)
(72) Inventor: **Chao He**, Shenzhen (CN)

D823,425 S * 7/2018 Wang D22/120
D852,313 S * 6/2019 Luo D22/120
2012/0206997 A1* 8/2012 Krause A01M 29/16
367/139

(**) Term: **15 Years**
(21) Appl. No.: **29/693,722**
(22) Filed: **Jun. 4, 2019**

OTHER PUBLICATIONS

Outdoor Solar Powered Ground Rodent Mole Mice Mouse Rat Repeller Sonic, Ebay.com (Year: 2019).*
Solar Powered Pest Repeller, AMZEmart.com (Year: 2020).*

(51) **LOC (12) Cl.** **22-06**
(52) **U.S. Cl.**
USPC **D22/120**
(58) **Field of Classification Search**
USPC D22/119-120; 43/1, 121, 124, 131,
43/132.1; 116/22 A; 367/139; 239/57;
340/573.2; 119/719
CPC A01M 7/00; A01M 17/002; A01M 29/12
See application file for complete search history.

* cited by examiner

Primary Examiner — Catherine R Oliver-Garcia
(74) *Attorney, Agent, or Firm* — Che-Yang Chen; Law Office of Michael Chen

(56) **References Cited**

(57) **CLAIM**

The ornamental design for a mole repeller, as shown and described.

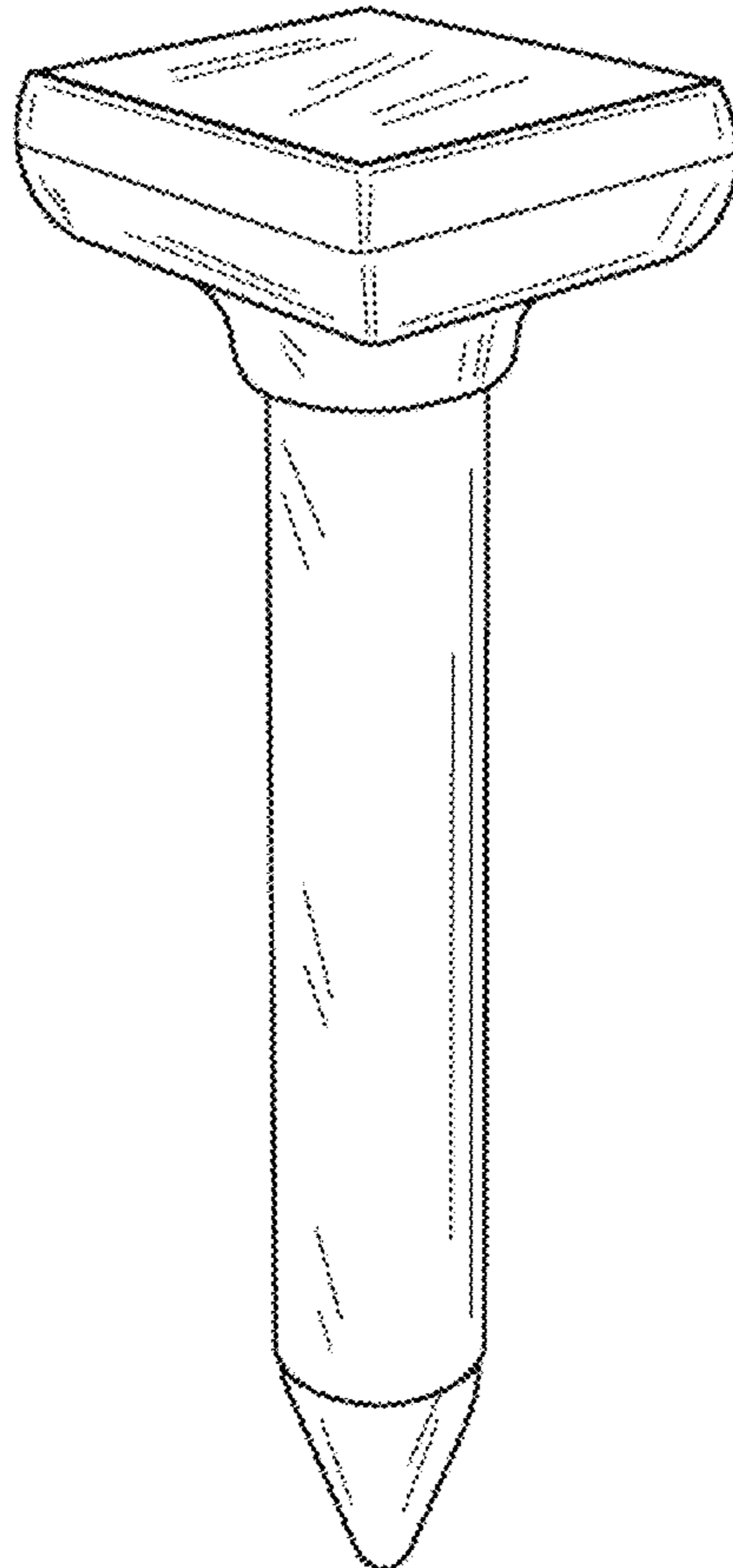
U.S. PATENT DOCUMENTS

DESCRIPTION

6,157,594 A * 12/2000 Jan A01M 29/16
116/22 A
D583,900 S * 12/2008 Krause D22/120
D590,909 S * 4/2009 Fembleaux D22/120
D645,114 S * 9/2011 Krause D22/120

FIG. 1 is a perspective view of the mole repeller showing my new design;
FIG. 2 is a front elevation view, the rear elevation view being a mirror image thereof;
FIG. 3 is a left side elevation view, the right side elevation view being a mirror image thereof;
FIG. 4 is a top plan view thereof; and,
FIG. 5 is a bottom plan view thereof.

1 Claim, 4 Drawing Sheets



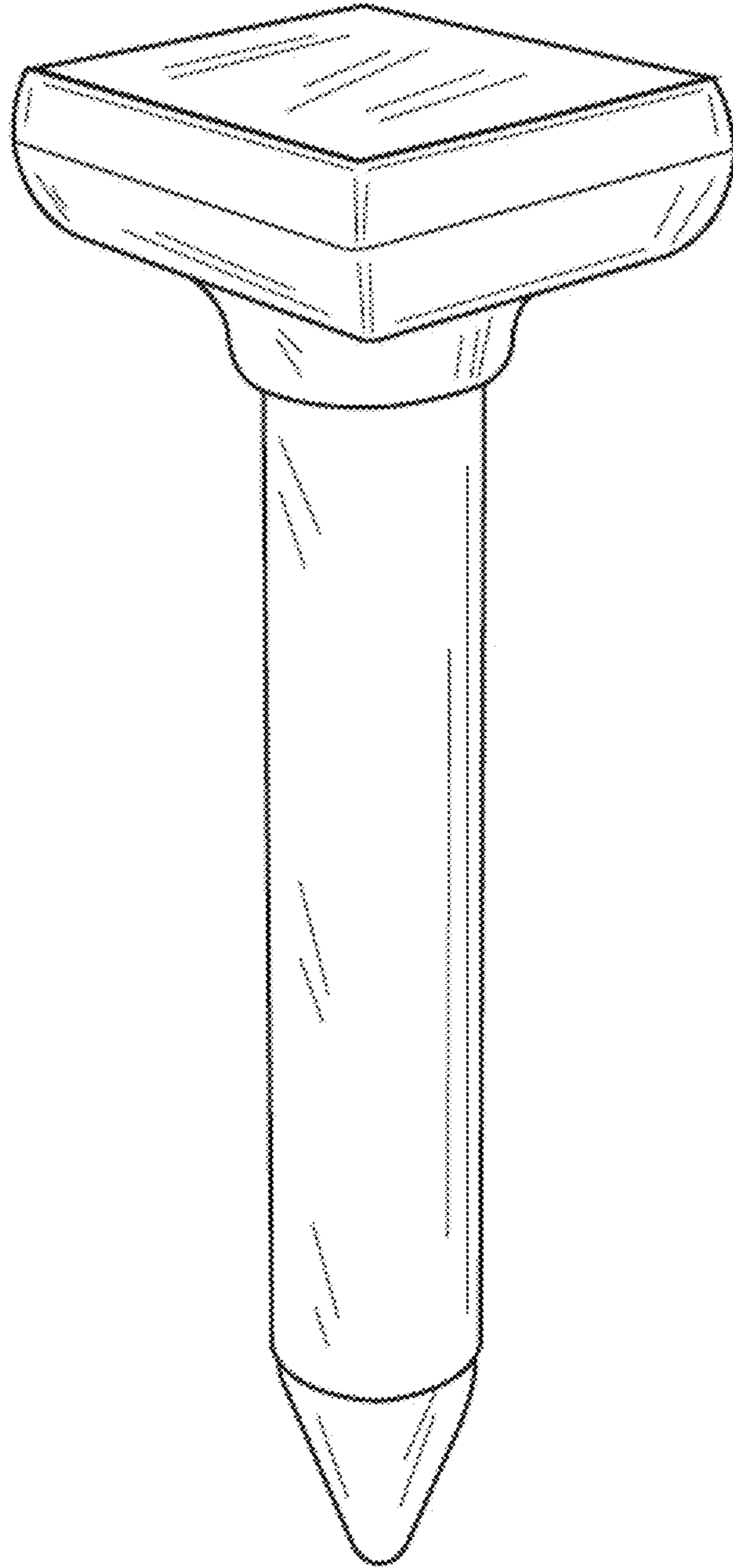


FIG. 1

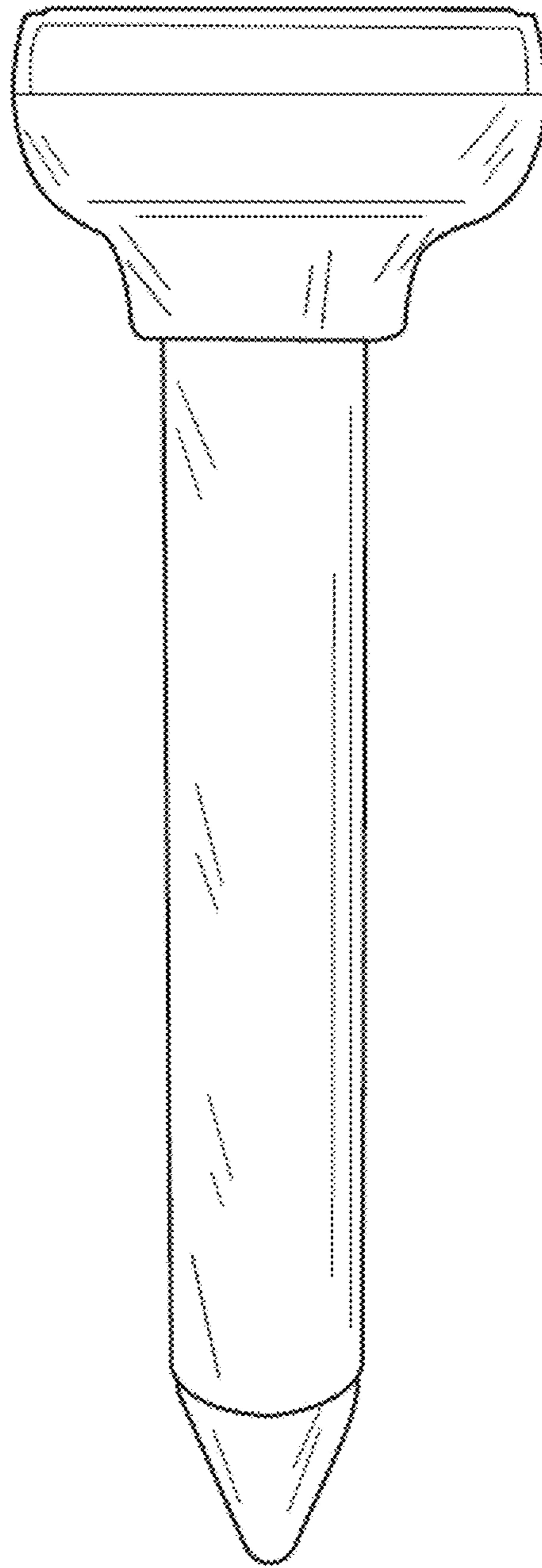


FIG. 2

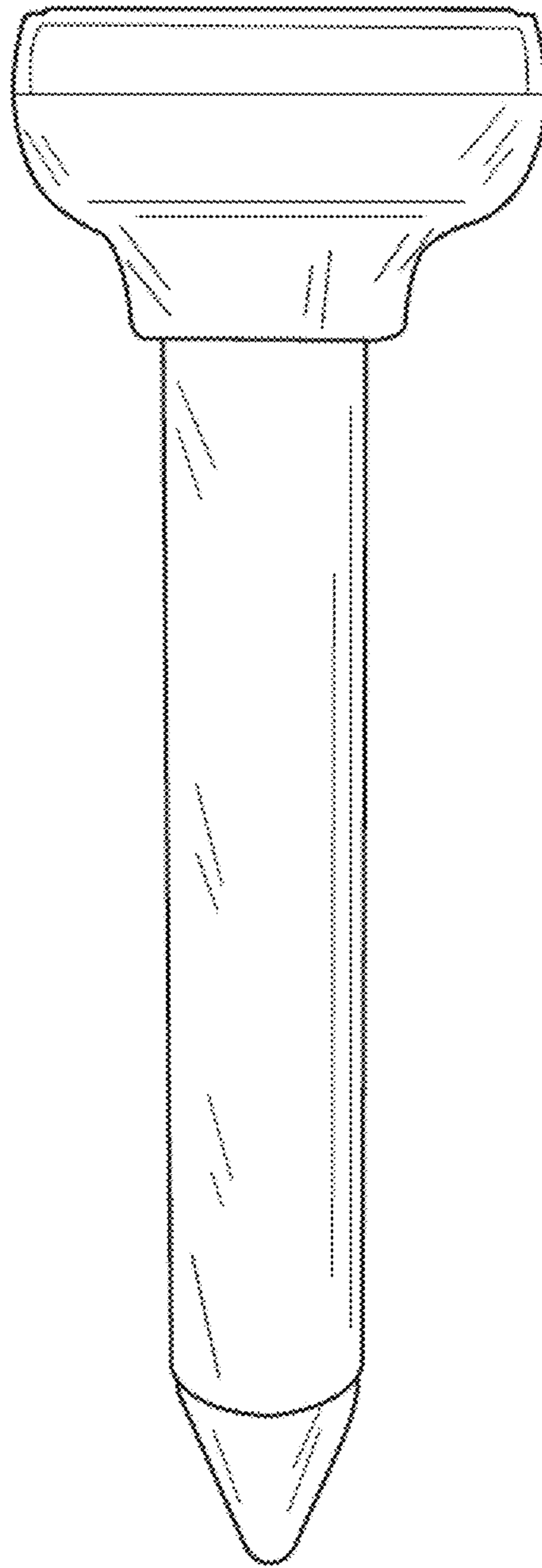


FIG. 3

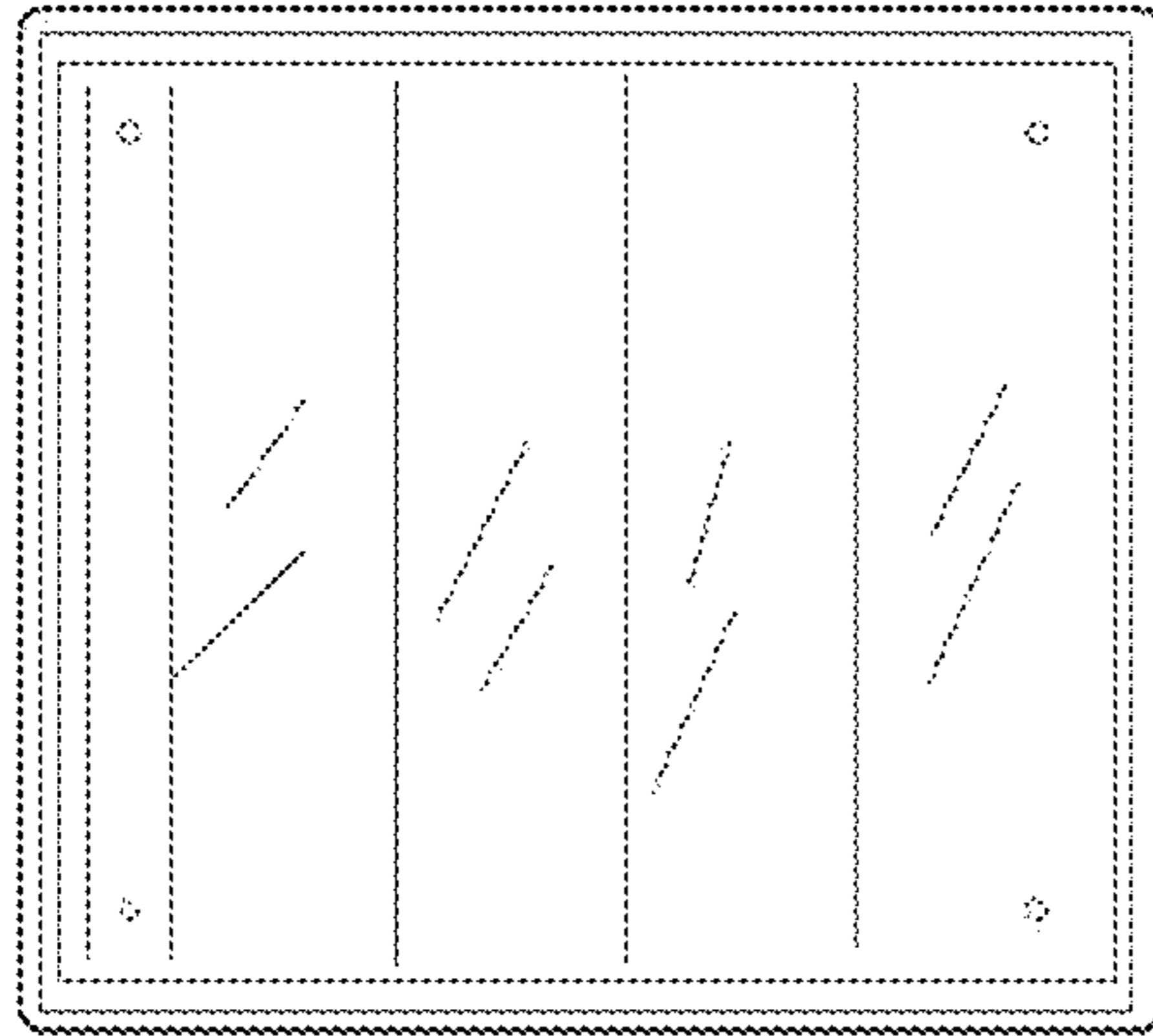


FIG. 4

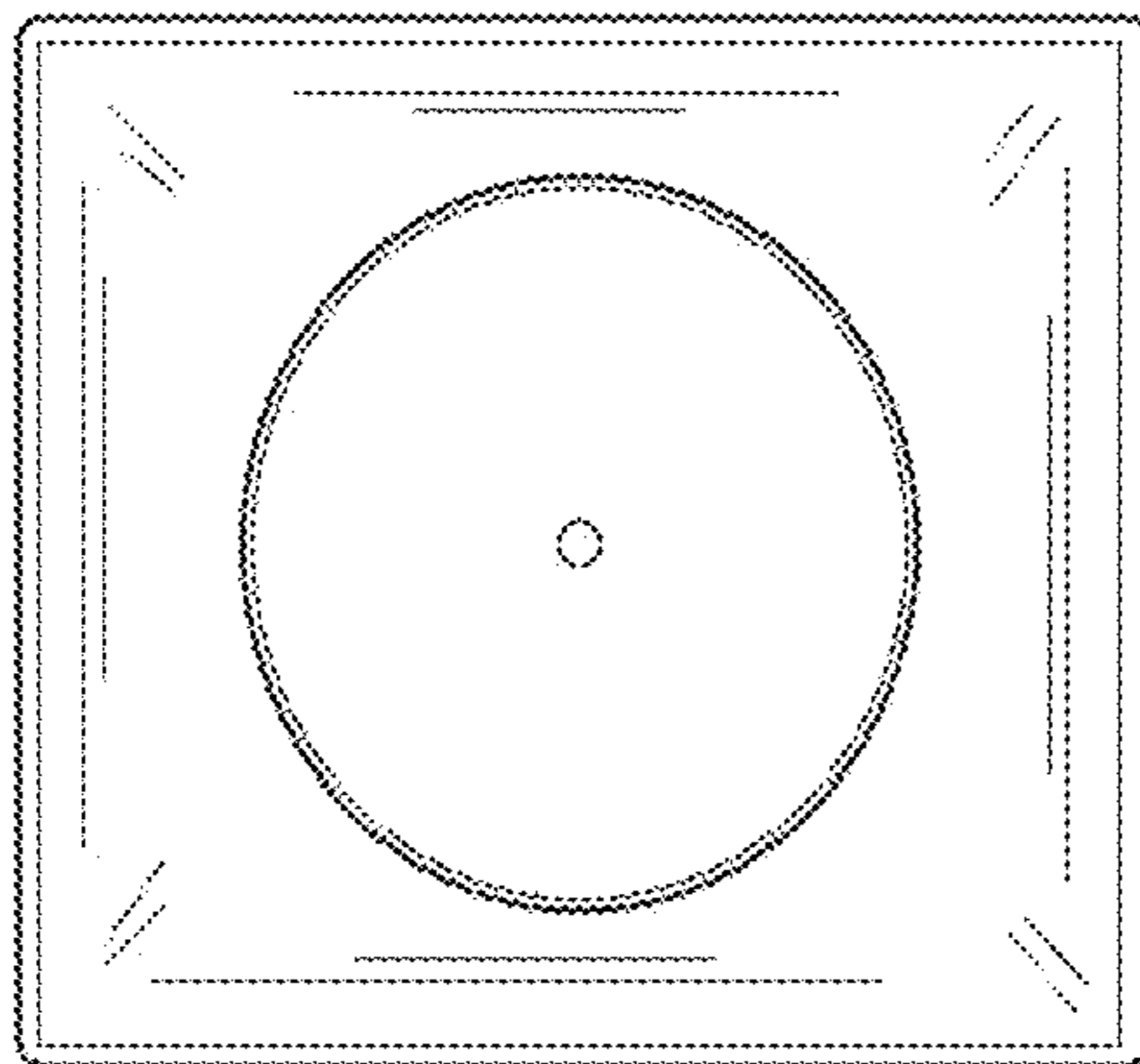


FIG. 5