



US00D887519S

(12) **United States Design Patent**
Grace et al.

(10) **Patent No.:** **US D887,519 S**
(45) **Date of Patent:** **** Jun. 16, 2020**

(54) **BROADHEAD**

(71) Applicant: **Grace Engineering Corp.**, Memphis, MI (US)

(72) Inventors: **Nathaniel E. Grace**, Fort Gratiot, MI (US); **Cody M. Schulz**, Harrison Township, MI (US); **Scott C. Prater**, Imlay City, MI (US)

(73) Assignee: **Grace Engineering Corp.**, Memphis, MI (US)

(**) Term: **15 Years**

(21) Appl. No.: **29/693,836**

(22) Filed: **Jun. 5, 2019**

(51) **LOC (12) Cl.** **22-03**

(52) **U.S. Cl.**
USPC **D22/115**

(58) **Field of Classification Search**
USPC D22/102, 106, 107, 115, 117, 199;
D21/387, 567, 570, 571, 746
CPC A42B 6/08; A42B 6/04; A42B 12/362;
A61F 2002/30306; A61F 2230/0097
See application file for complete search history.

(56) **References Cited**

U.S. PATENT DOCUMENTS

2,467,838	A *	4/1949	Lust	F42B 6/04 473/581
2,880,000	A *	3/1959	Unger	F42B 6/08 473/584
4,565,377	A *	1/1986	Troncoso, Jr.	F42B 6/04 473/584
4,643,435	A *	2/1987	Musacchia	F42B 6/08 30/303
D326,889	S *	6/1992	Garoutte	D22/115
5,192,081	A *	3/1993	Cooper	F42B 6/08 30/304
D342,984	S *	1/1994	Gusmano	D22/115

D351,891	S *	10/1994	Tinsley	D22/115
D400,957	S *	11/1998	Botruff	D22/115
D425,943	S *	5/2000	Kurtz	D21/387
6,605,012	B2 *	8/2003	Muller	F42B 6/08 473/584
6,997,827	B1 *	2/2006	Grace, Jr.	F42B 6/08 473/583
7,025,697	B2 *	4/2006	Mizek	F42B 6/08 473/583

(Continued)

OTHER PUBLICATIONS

“G5 Outdoors” [online]. GVO Staff. [Published on Aug. 5, 2016]. Retrieved from the Internet: <<https://www.grandviewoutdoors.com/gear/product-profile/g5-outdoors>>.*

(Continued)

Primary Examiner — Khawaja Anwar

Assistant Examiner — Mojtaba Tehrani

(74) *Attorney, Agent, or Firm* — Warner Norcross + Judd LLP

(57) **CLAIM**

The ornamental design for a broadhead, as shown and described.

DESCRIPTION

FIG. 1 is a front perspective view of the broadhead;

FIG. 2 is a right side view thereof;

FIG. 3 is a left side view thereof;

FIG. 4 is a front view thereof;

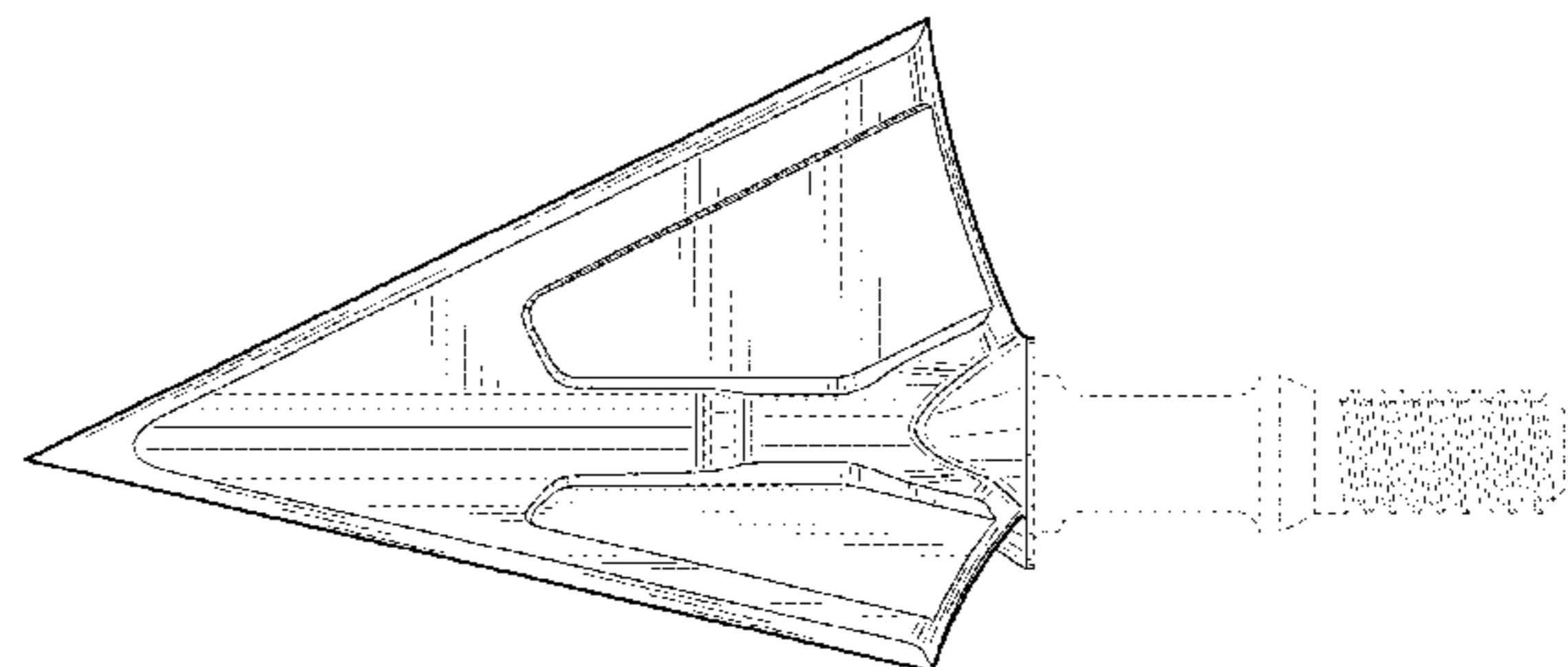
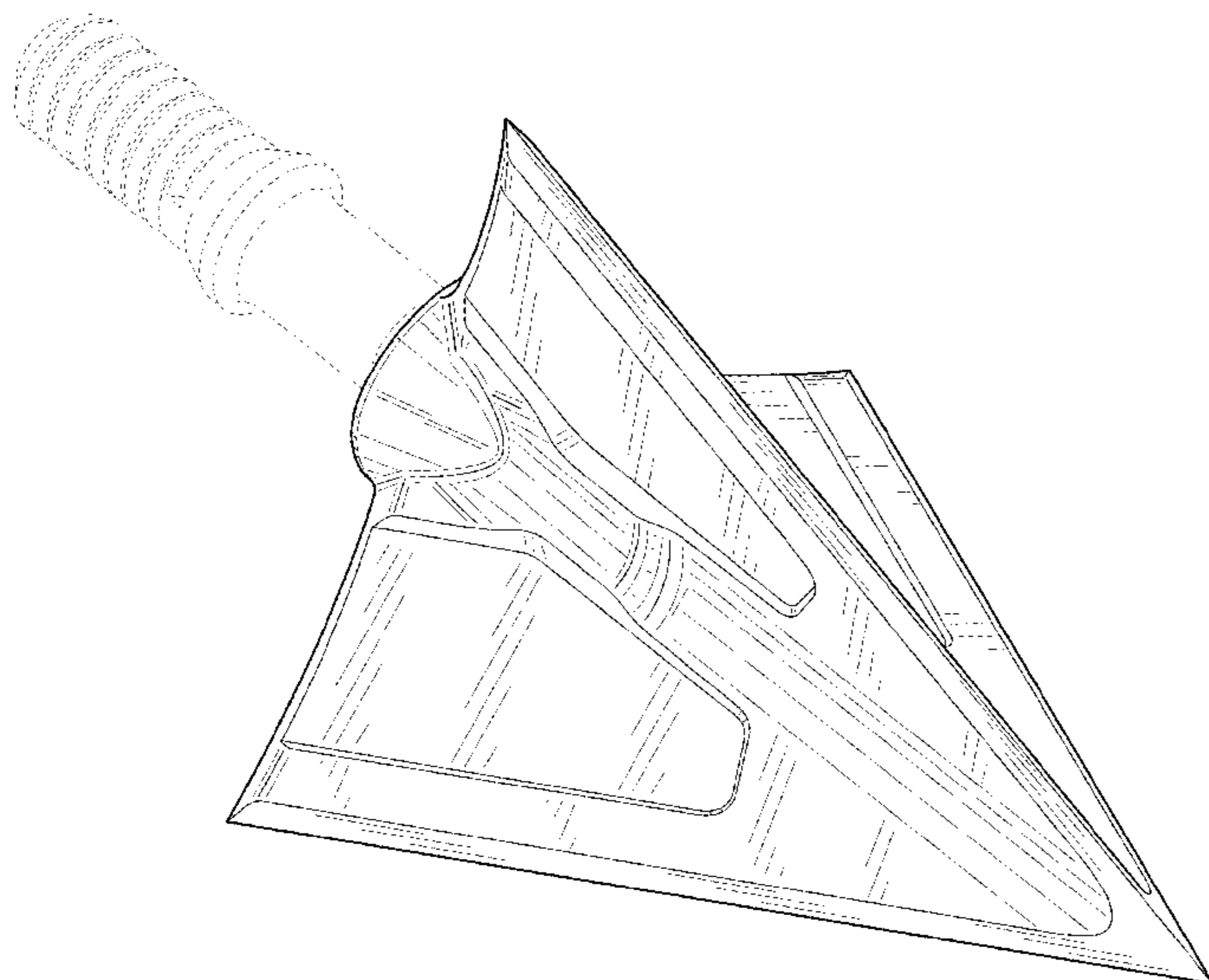
FIG. 5 is a rear view thereof;

FIG. 6 is a top view thereof; and,

FIG. 7 is a bottom view thereof.

Features shown in broken lines do not form any part of the claimed design. Any broken lines immediately adjacent the solid-line portions of the design form the boundary of the design, with the broken lines forming no part of the claimed design.

1 Claim, 4 Drawing Sheets



(56)

References Cited

U.S. PATENT DOCUMENTS

D630,701 S *	1/2011	Fanizzi	D22/107
7,905,795 B1 *	3/2011	Nuno	F42B 6/08 473/253
D663,004 S *	7/2012	Isringhausen	D22/107
D668,732 S *	10/2012	Frecka	D22/115
8,449,415 B2	5/2013	Grace	
8,449,416 B2	5/2013	Grace et al.	
D695,872 S *	12/2013	Lennon	D22/115
9,945,648 B2	4/2018	Grace	
10,030,949 B1	7/2018	Grace	
2009/0233742 A1 *	9/2009	Sanford	F42B 6/08 473/584

OTHER PUBLICATIONS

G5 Outdoors Montec, <http://shop.g5outdoors.com/montec> downloaded May 30, 2019.

* cited by examiner

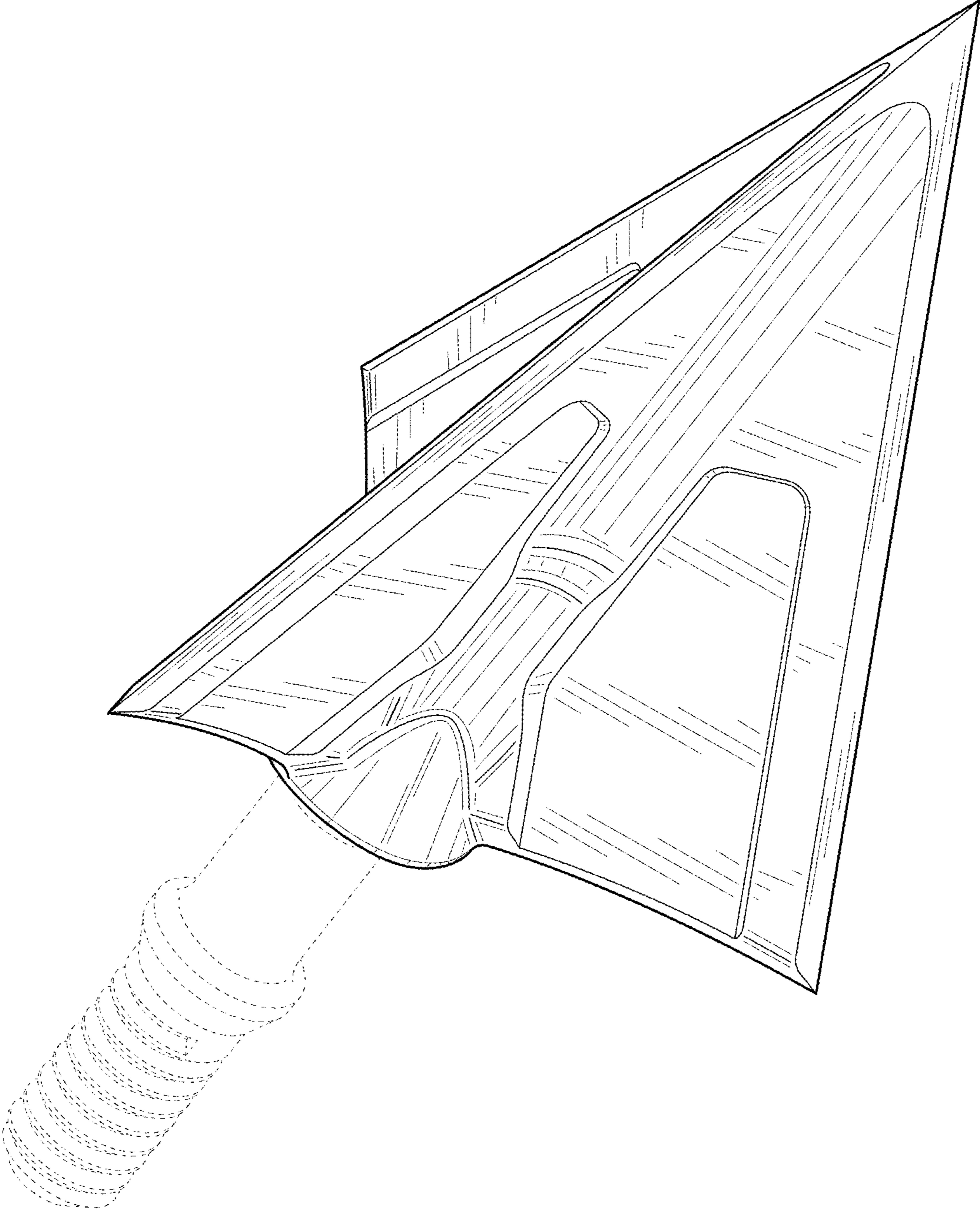


Fig. 1

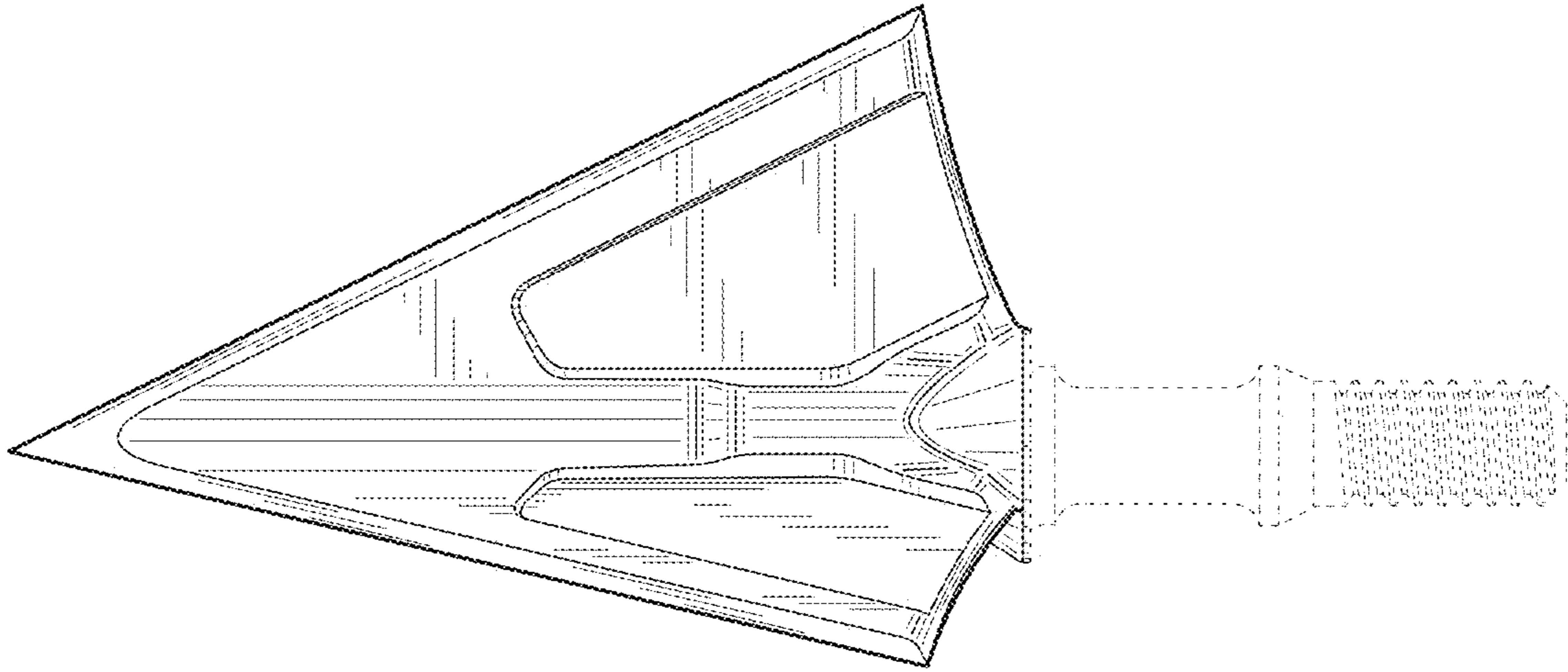


Fig. 2

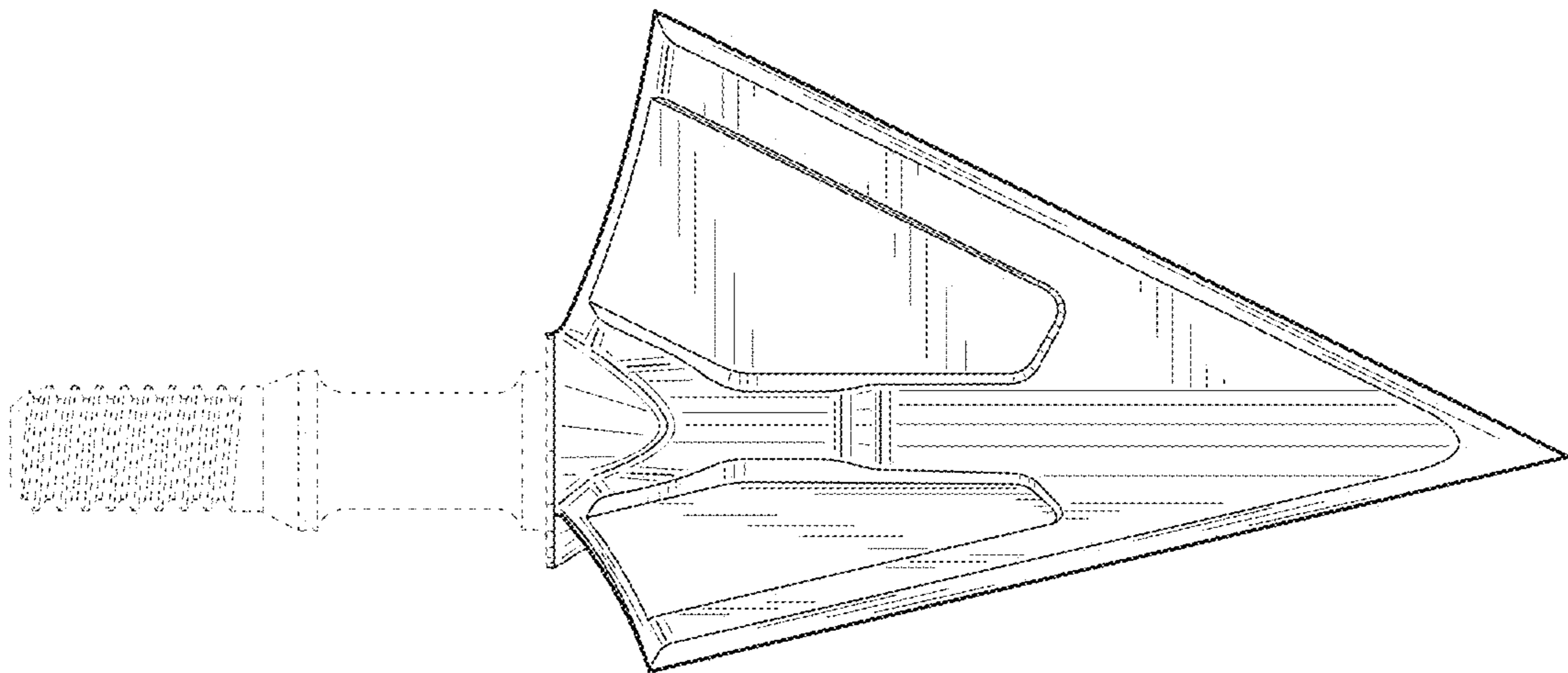


Fig. 3

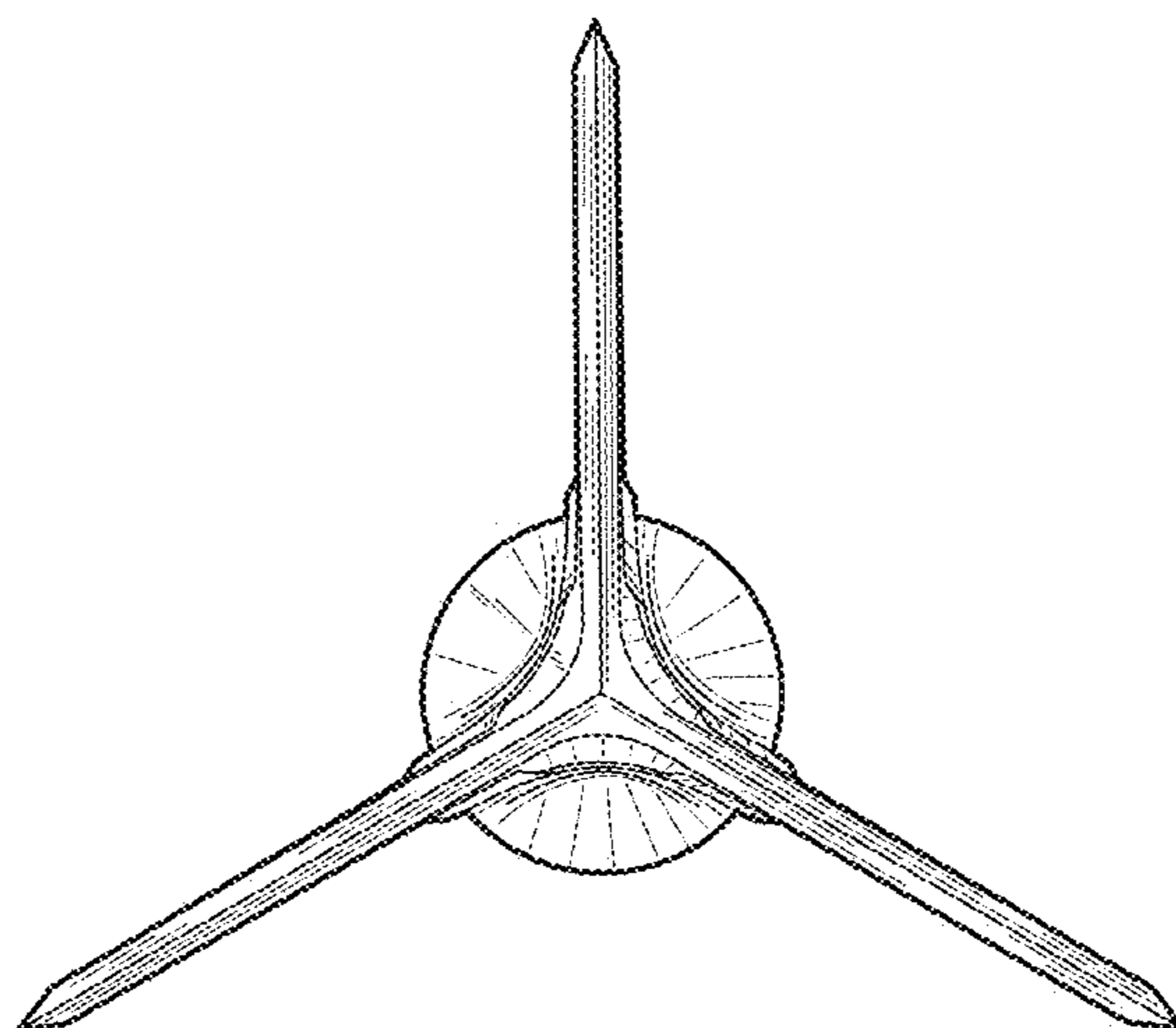


Fig. 4

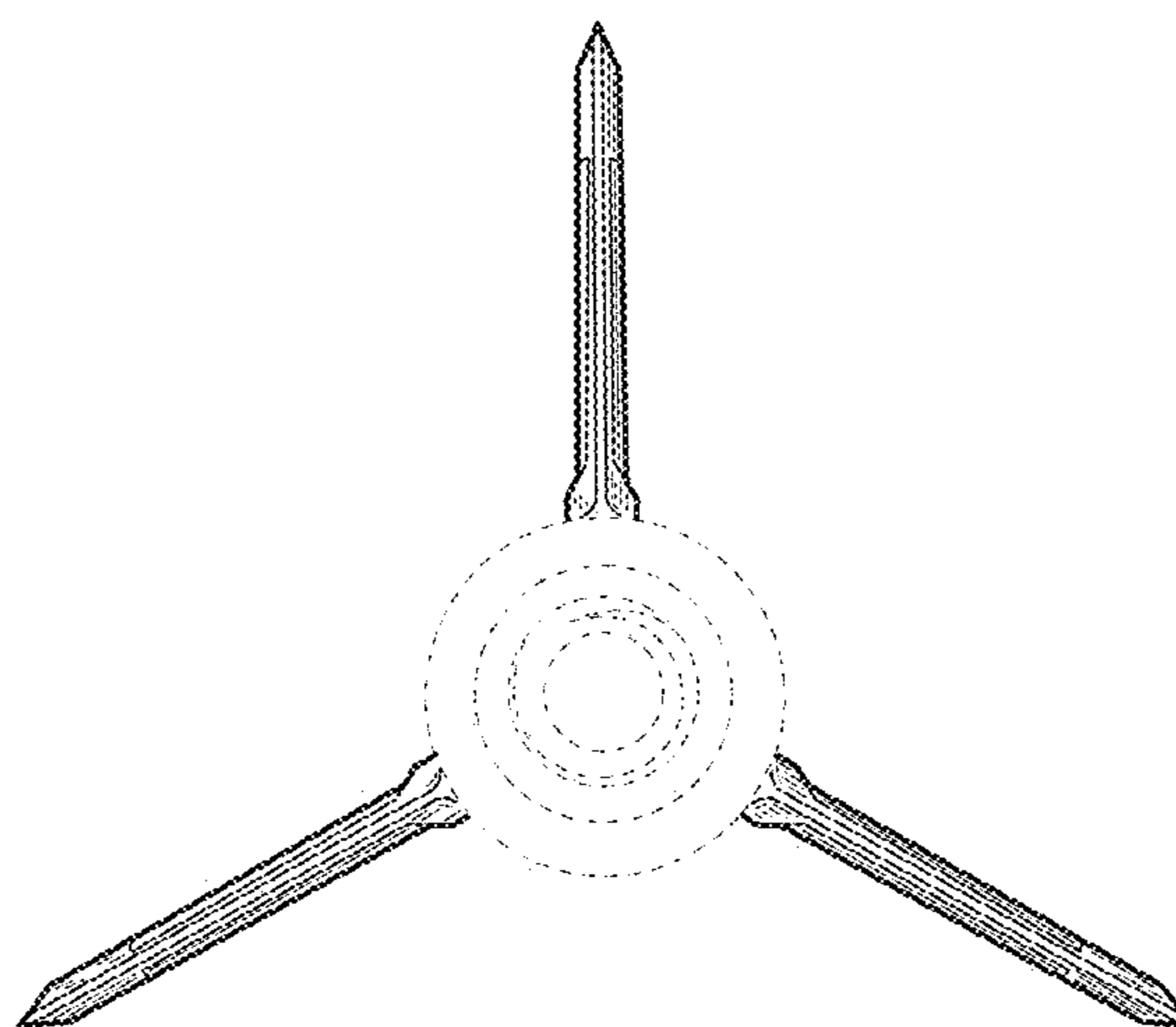


Fig. 5

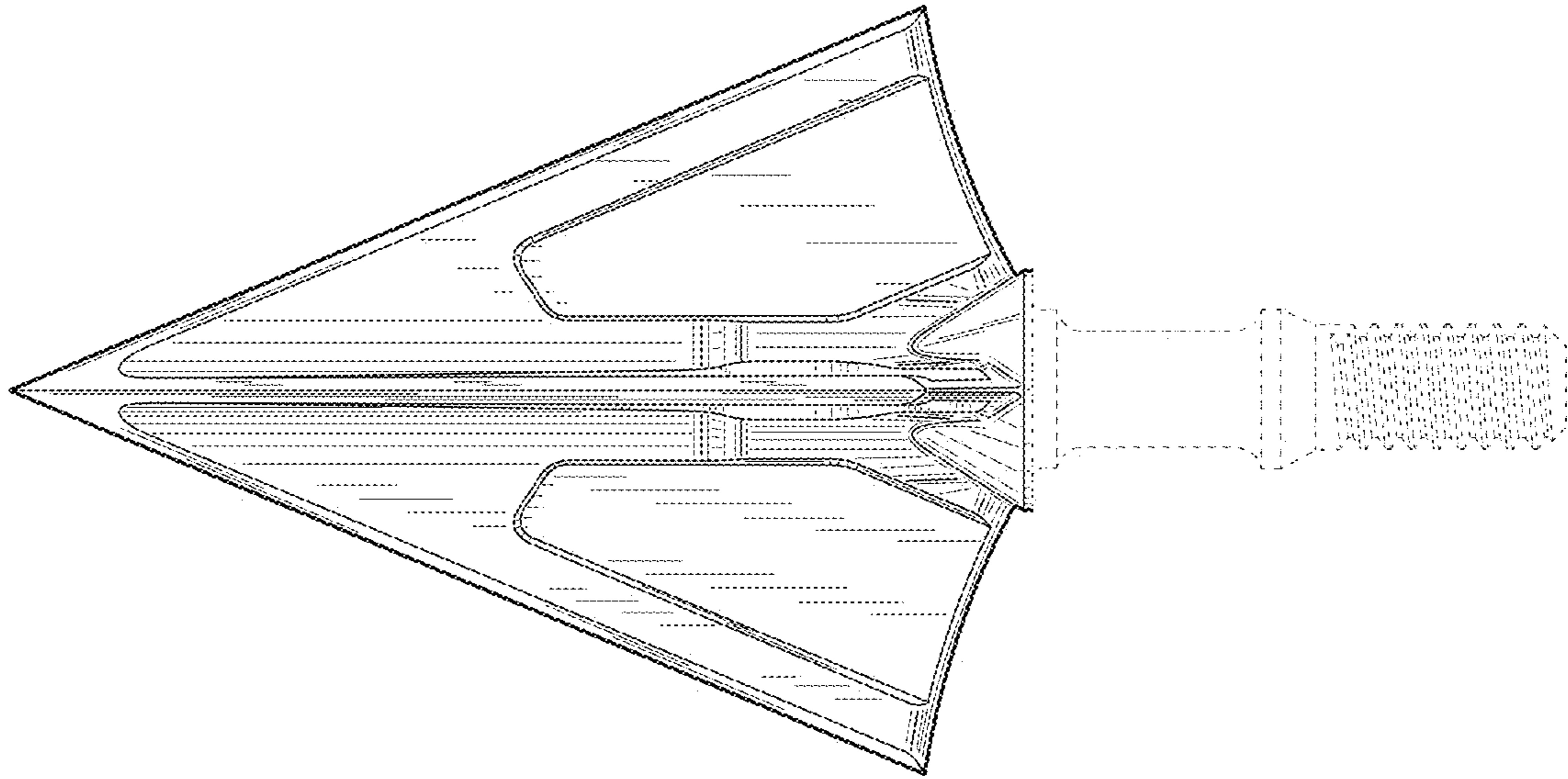


Fig. 6

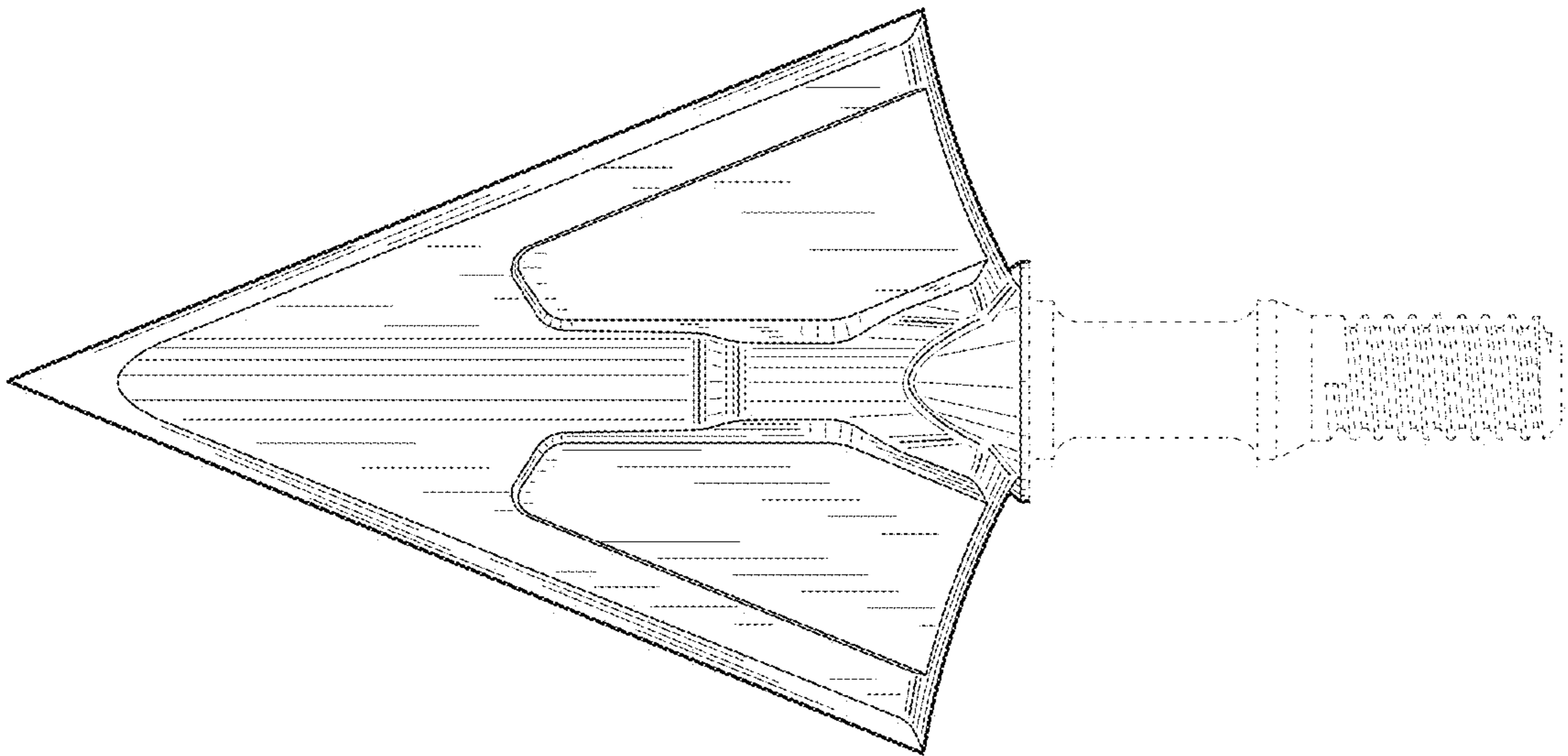


Fig. 7