



US00D887516S

(12) **United States Design Patent**
Longueira

(10) **Patent No.:** **US D887,516 S**

(45) **Date of Patent:** **** Jun. 16, 2020**

(54) **TRIGGER**

(71) Applicant: **Dino C. Longueira**, Staten Island, NY
(US)

(72) Inventor: **Dino C. Longueira**, Staten Island, NY
(US)

(**) Term: **15 Years**

(21) Appl. No.: **29/663,679**

(22) Filed: **Sep. 18, 2018**

(51) **LOC (12) Cl.** **22-01**

(52) **U.S. Cl.**
USPC **D22/108**

(58) **Field of Classification Search**
USPC D22/108; D21/572; D8/68
CPC F41A 19/10; F41A 17/46; F41A 35/00;
F41A 19/09; F41A 19/11; F41A 19/21;
F41C 27/00
See application file for complete search history.

(56) **References Cited**

U.S. PATENT DOCUMENTS

D740,907 S	*	10/2015	Oglesby	D22/108
D755,339 S	*	5/2016	Geissele	D22/108
D764,004 S	*	8/2016	Bender	D22/108
D835,743 S	*	12/2018	Bender	D22/108
D868,928 S	*	12/2019	Geissele	D22/108

* cited by examiner

Primary Examiner — Michael A. Pratt

(74) *Attorney, Agent, or Firm* — Ostrager Chong Flaherty & Broitman P.C.

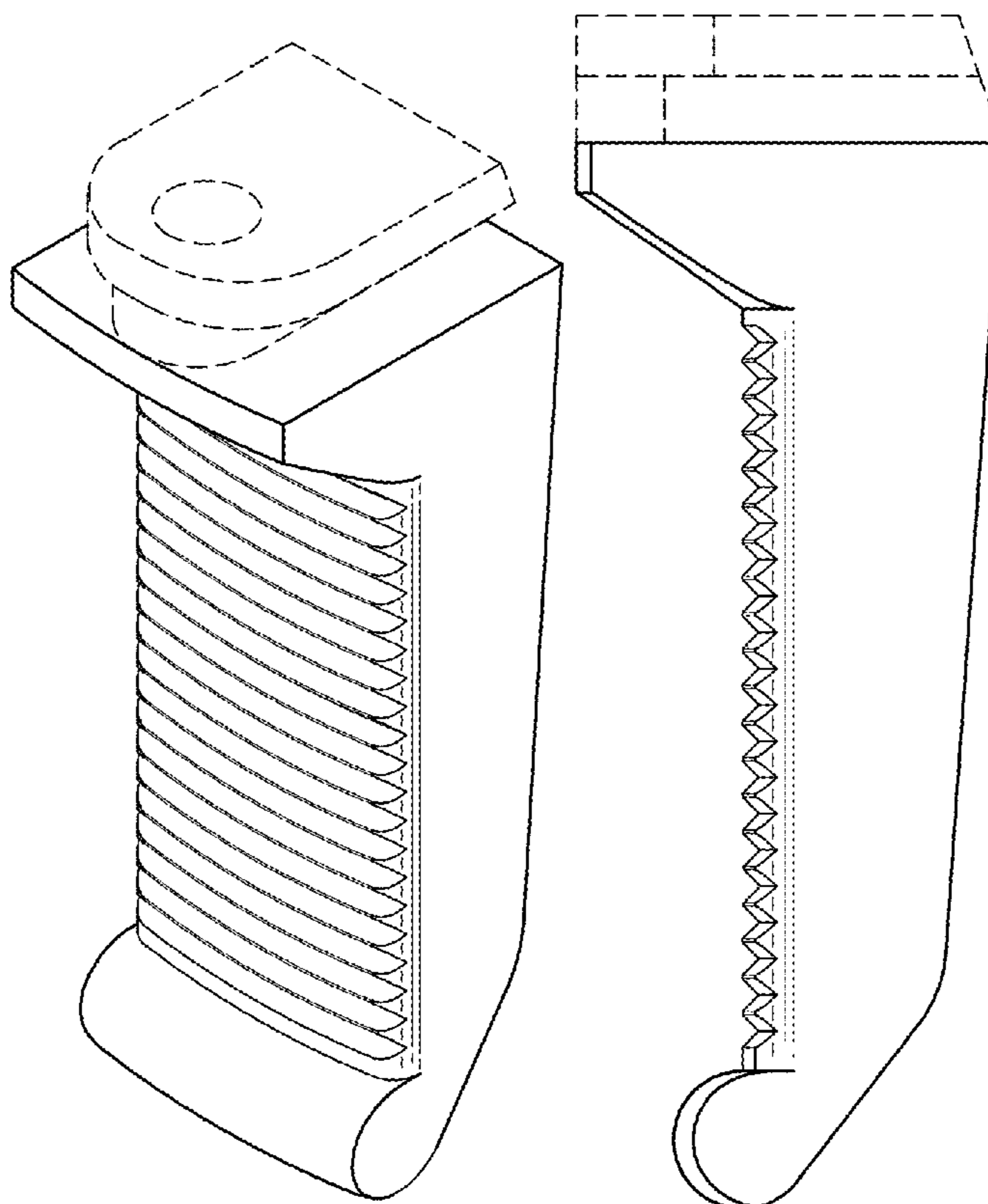
(57) **CLAIM**

I claim the ornamental design for a trigger, as shown and described.

DESCRIPTION

FIG. 1 is a front, top and left side perspective view of a trigger showing my new design;
FIG. 2 is a front view thereof;
FIG. 3 is a top view thereof;
FIG. 4 is a left side view thereof, the right side view being a mirror image of the right side view;
FIG. 5 is a rear view thereof;
FIG. 6 is a bottom view;
FIG. 7 is a front, top and left side perspective view of the trigger installed in a trigger assembly;
FIG. 8 is a rear, top and left side perspective view thereof;
FIG. 9 is a front view thereof;
FIG. 10 is a top view thereof;
FIG. 11 is a left side view thereof, the right side view being a mirror image of the right side view;
FIG. 12 is a rear view thereof; and,
FIG. 13 is a bottom view thereof.
The broken lines in the drawings depict portions of the trigger that form no part of the claimed design.

1 Claim, 7 Drawing Sheets



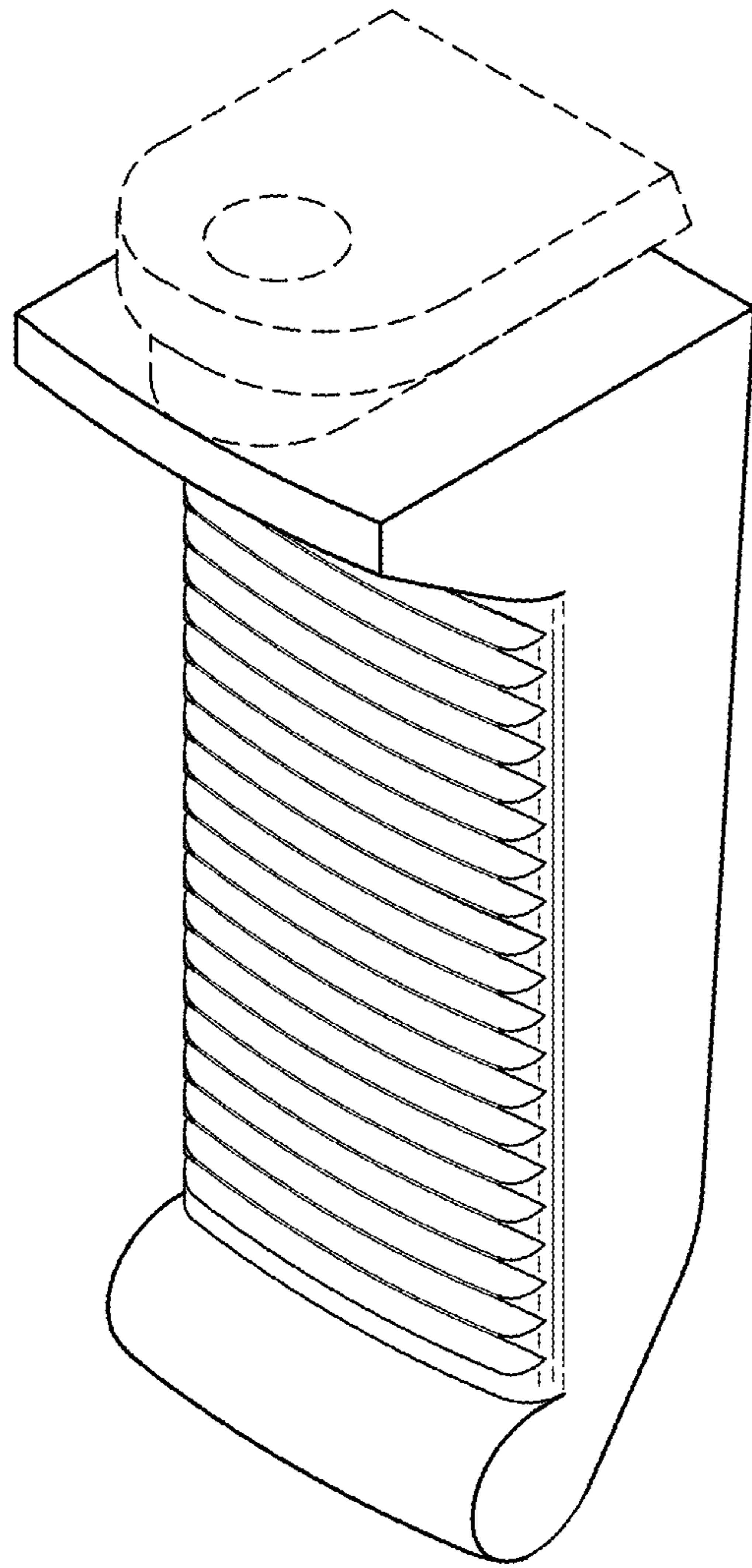


FIG. 1

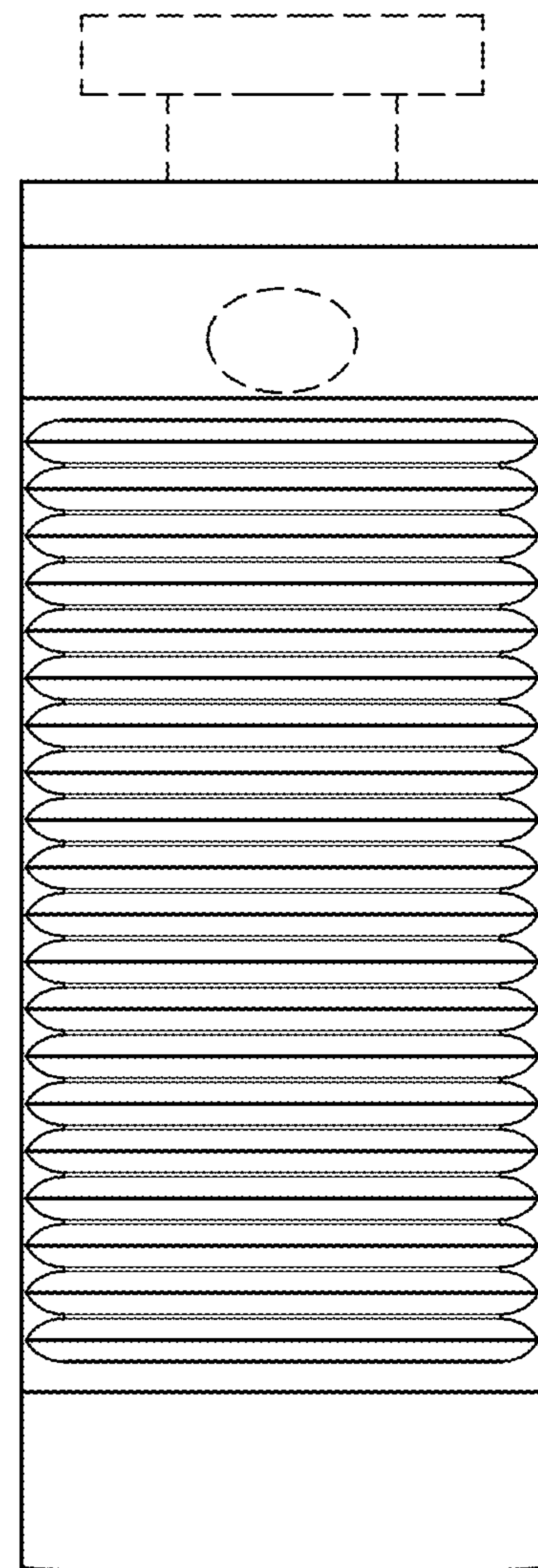


FIG. 2

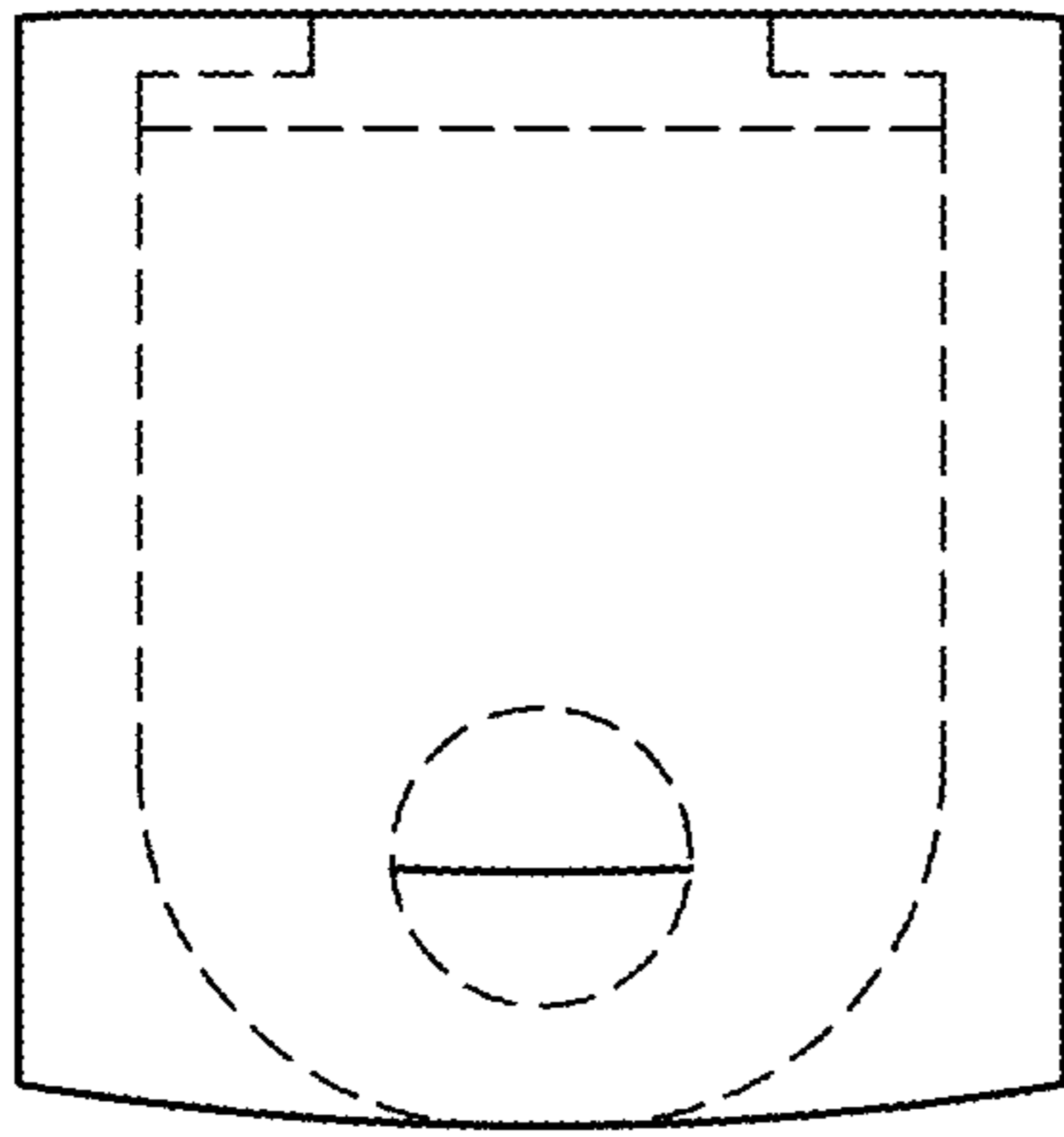


FIG. 3

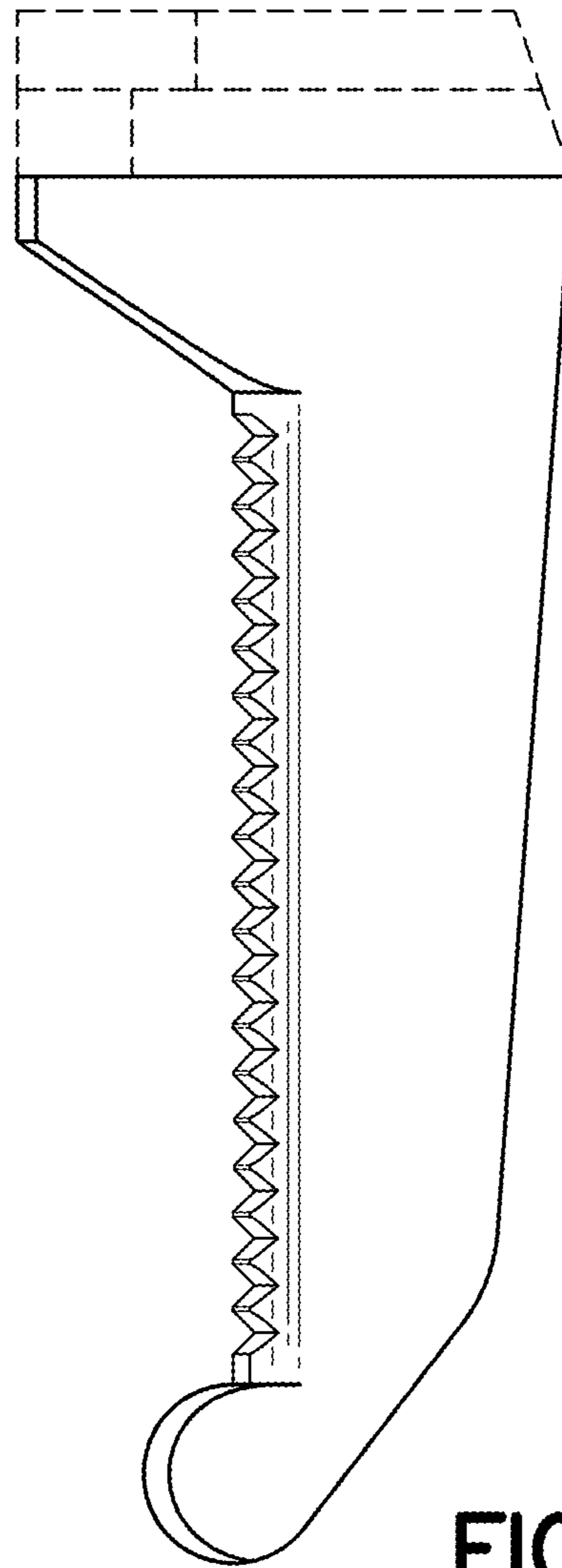


FIG. 4

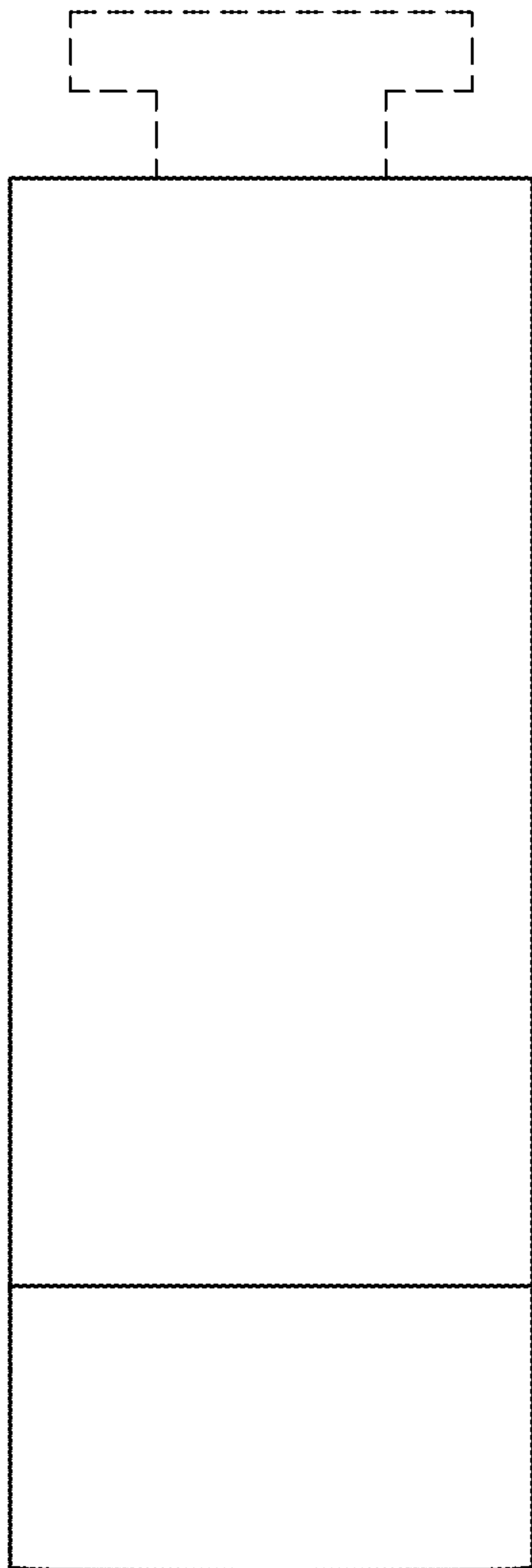


FIG. 5

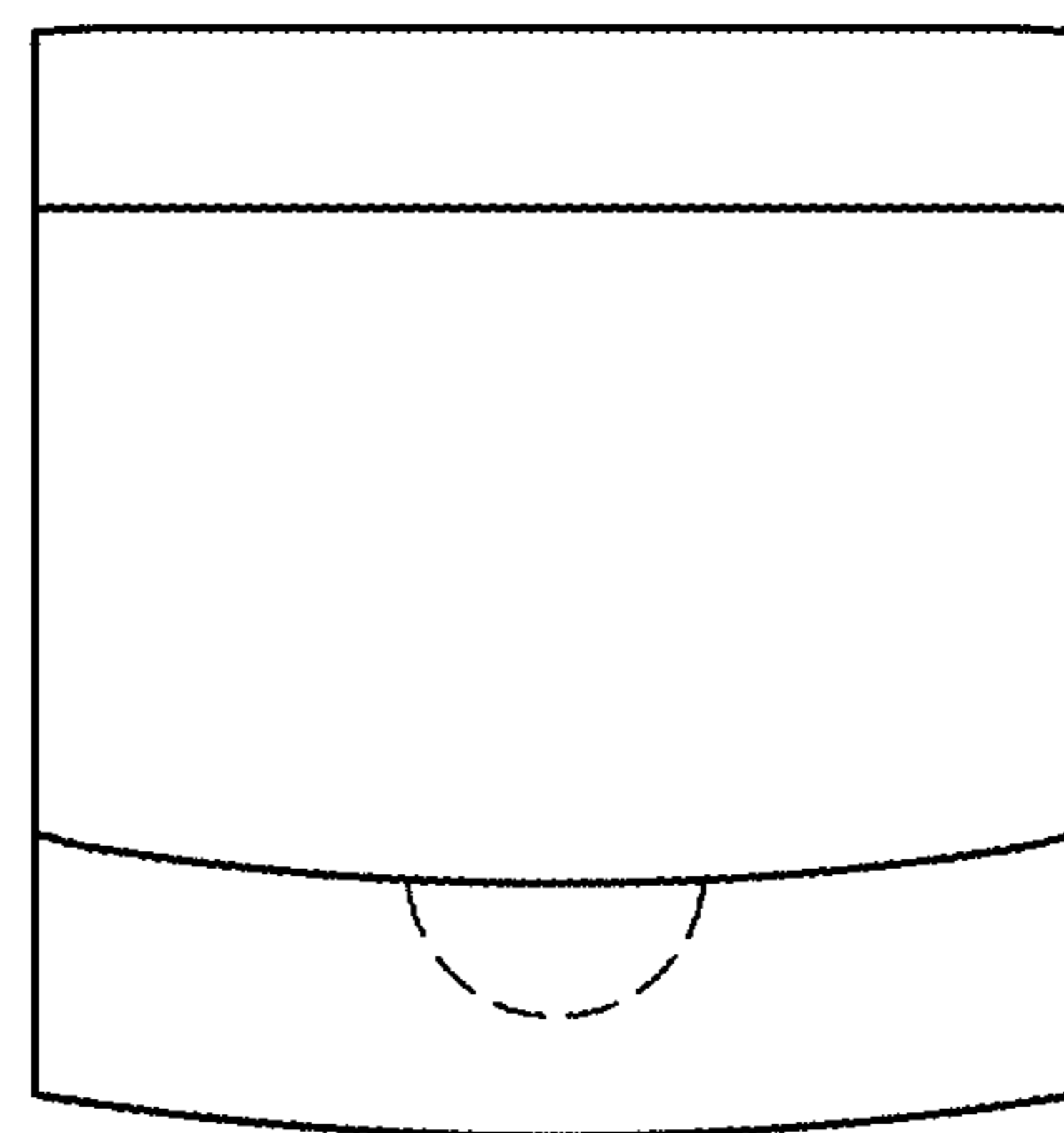


FIG. 6

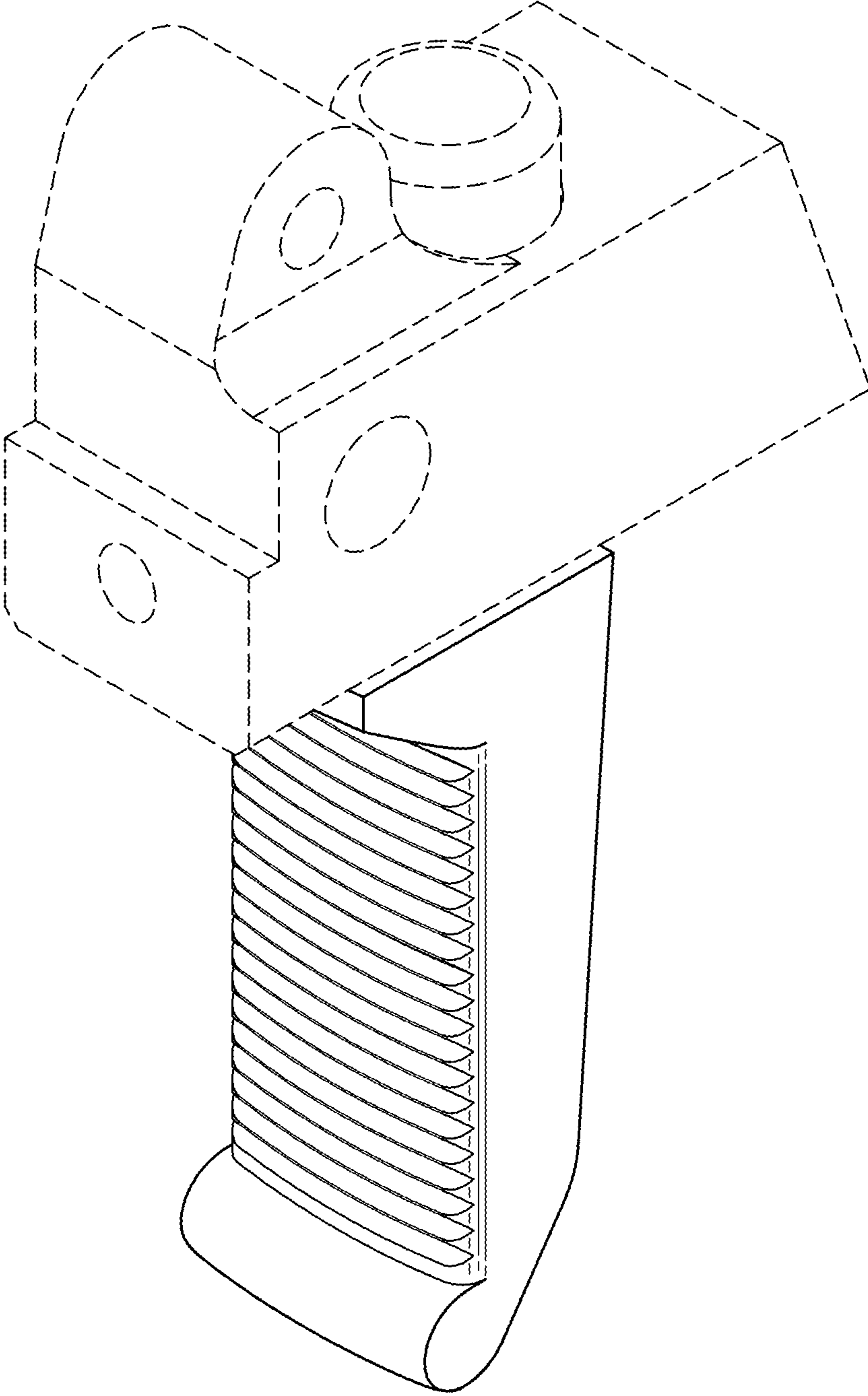


FIG. 7

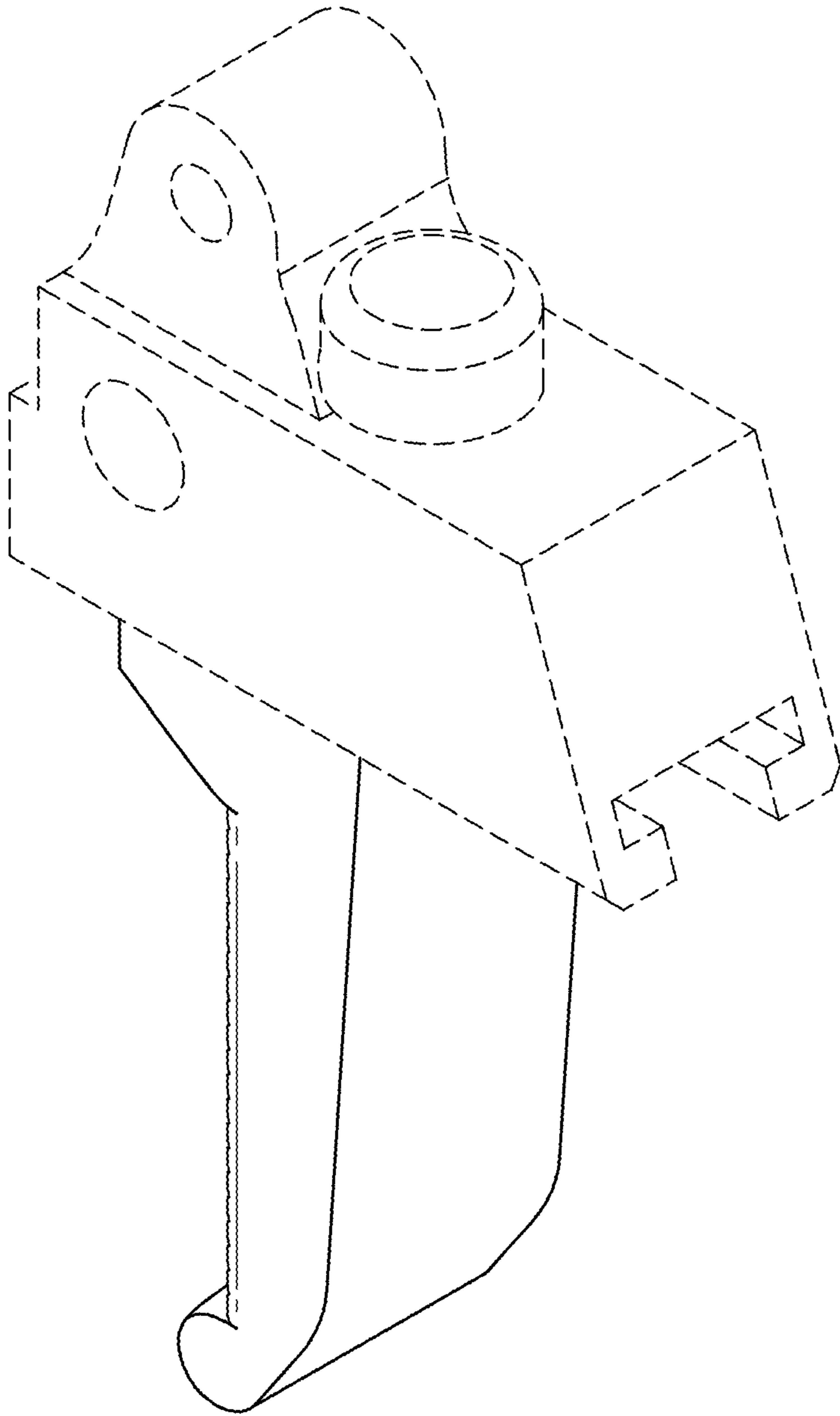


FIG. 8

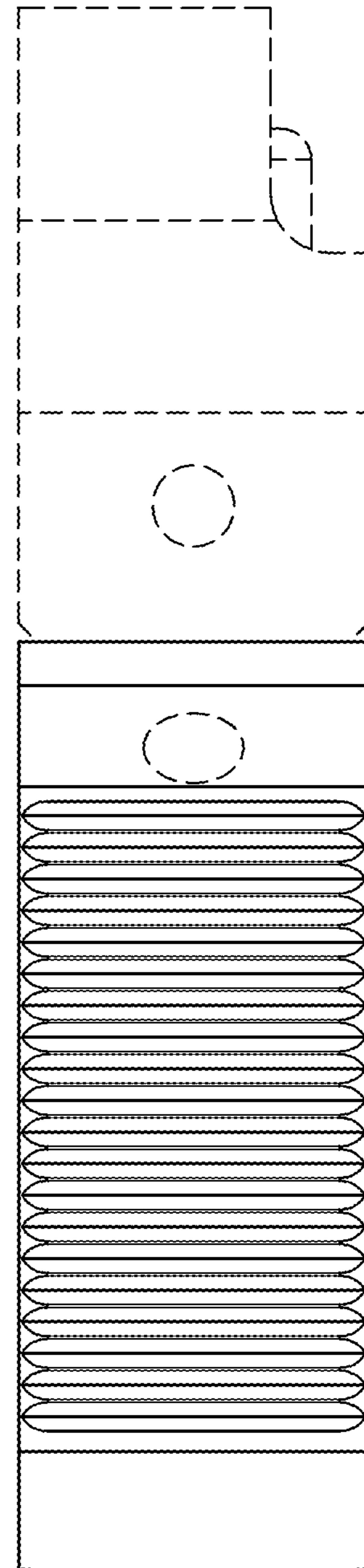


FIG. 9

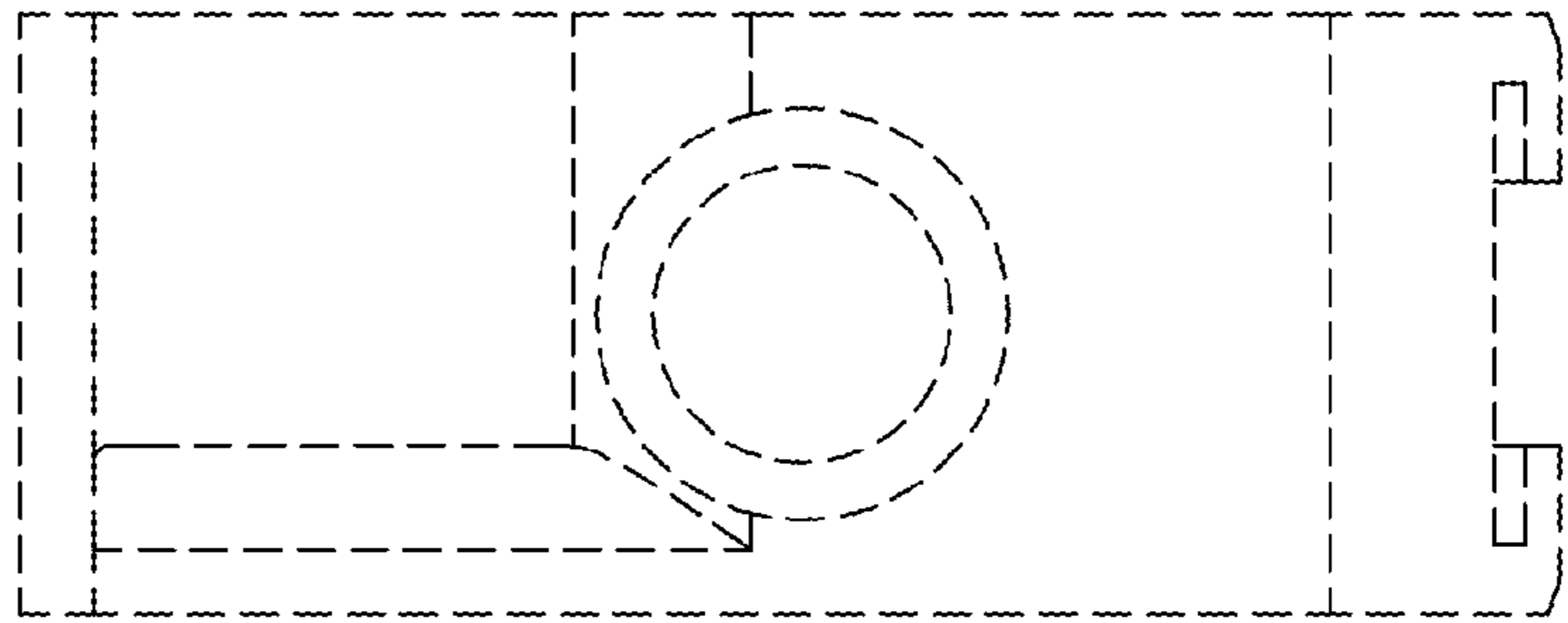


FIG. 10

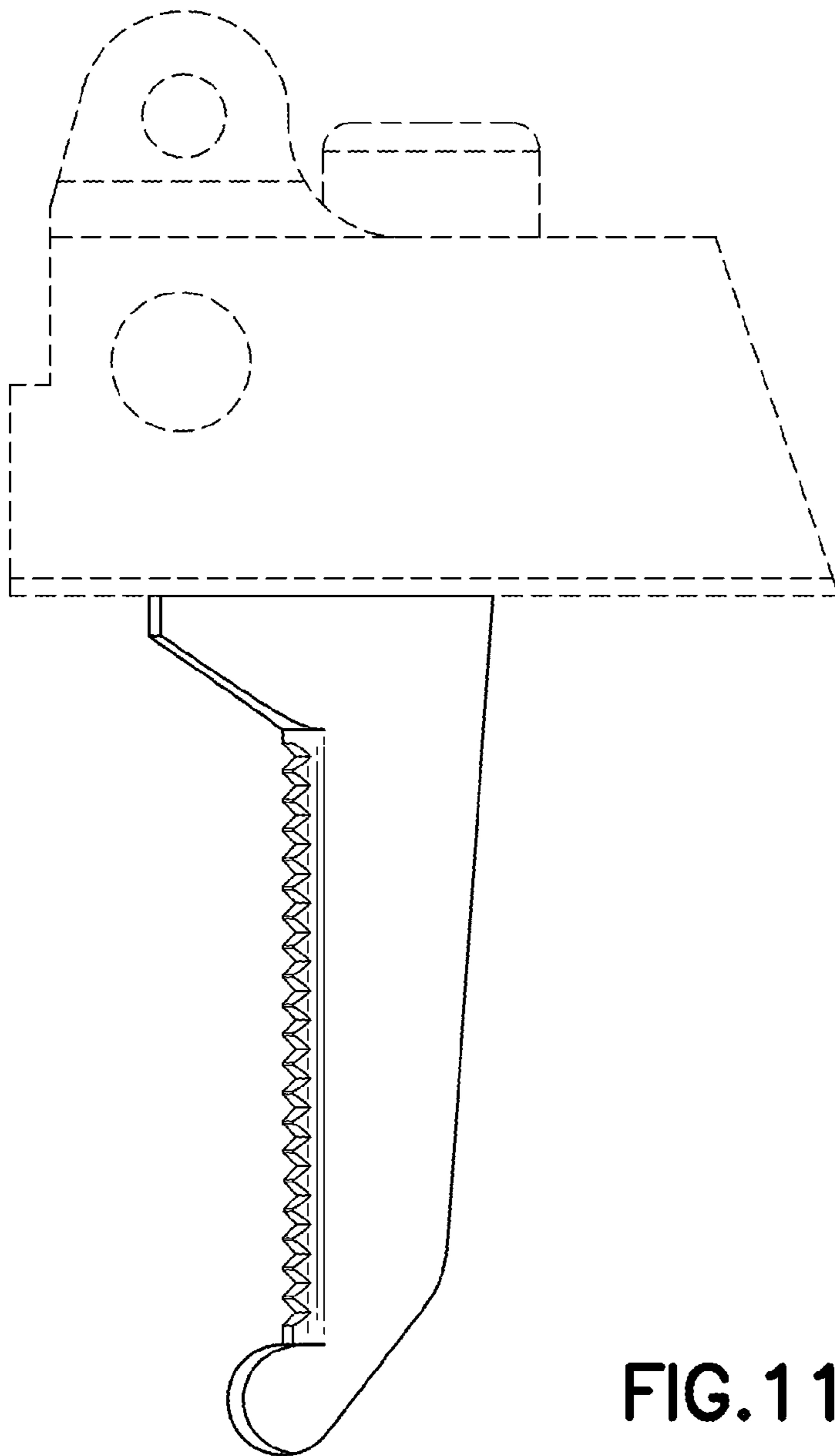


FIG. 11

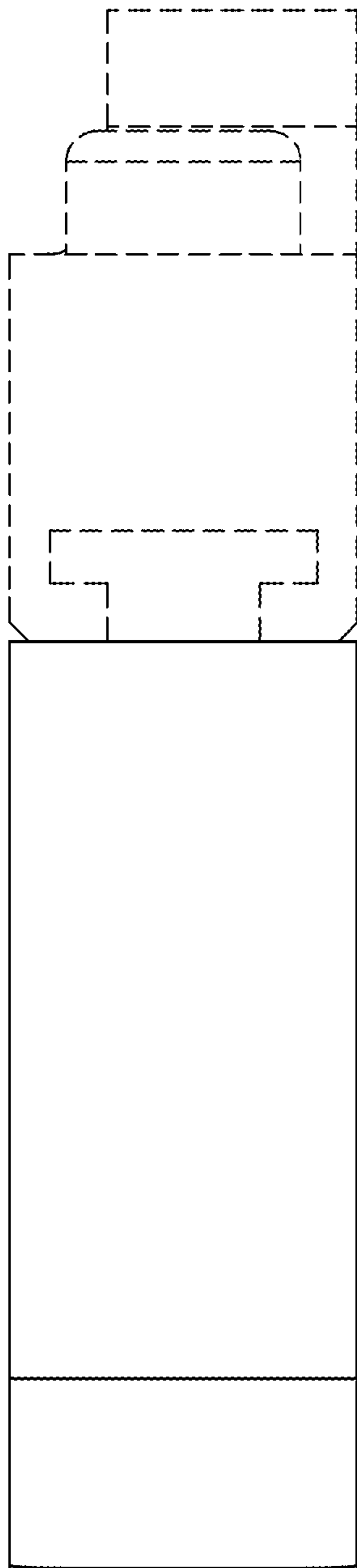


FIG. 12



FIG. 13