



US00D887513S

(12) **United States Design Patent**  
**Pastrick**

(10) **Patent No.:** **US D887,513 S**

(45) **Date of Patent:** **\*\* \*Jun. 16, 2020**

(54) **BLOCKING SLED**

(71) Applicant: **Geoffrey Pastrick**, Roswell, GA (US)

(72) Inventor: **Geoffrey Pastrick**, Roswell, GA (US)

(\*) Notice: This patent is subject to a terminal disclaimer.

(\*\*) Term: **15 Years**

(21) Appl. No.: **29/665,323**

(22) Filed: **Oct. 2, 2018**

(51) **LOC (12) Cl.** ..... **21-02**

(52) **U.S. Cl.**  
USPC ..... **D21/788**

(58) **Field of Classification Search**  
USPC ..... D21/698, 788  
CPC .. A63B 69/002; A63B 69/345; A63B 21/0004  
See application file for complete search history.

(56) **References Cited**

**U.S. PATENT DOCUMENTS**

3,827,690	A *	8/1974	Rogers	.....	A63B 69/345	473/445
5,385,523	A *	1/1995	Forrest	.....	A63B 69/345	473/445
D466,963	S *	12/2002	Forrest	.....	D21/788	
D469,142	S *	1/2003	Forrest	.....	D21/788	
D478,954	S *	8/2003	Forrest	.....	D21/788	
6,942,585	B1 *	9/2005	Krause	.....	A63B 69/002	473/445
7,322,893	B2 *	1/2008	Bright	.....	A63B 69/345	473/441
D562,417	S *	2/2008	Noojin	.....	D21/698	

D606,611	S *	12/2009	Rogers	.....	D21/698	
7,727,089	B2 *	6/2010	Gilman	.....	A63B 21/06	473/441
7,955,223	B1 *	6/2011	Gilman	.....	A63B 21/0615	280/15
8,535,181	B2 *	9/2013	Staten	.....	A63B 21/0004	473/445
8,617,007	B2 *	12/2013	Gilman	.....	A63B 69/00	473/441
9,186,538	B1 *	11/2015	Seen	.....	A63B 21/072	
9,409,072	B2 *	8/2016	Staten	.....	A63B 21/0004	
9,975,024	B1 *	5/2018	Potter	.....	A63B 69/0028	

\* cited by examiner

*Primary Examiner* — Mitchell I. Siegel

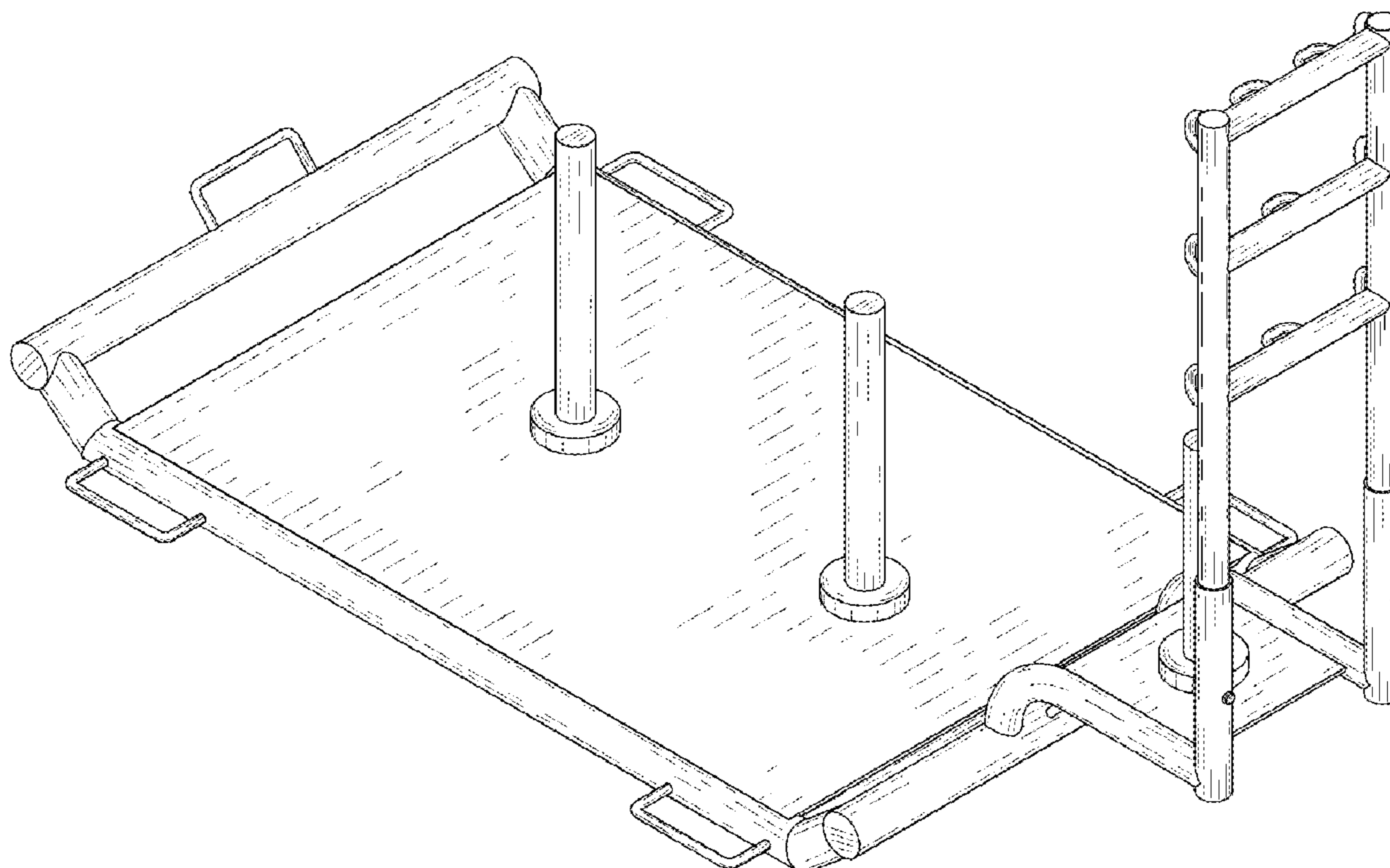
(57) **CLAIM**

The ornamental design for a blocking sled, as shown and described.

**DESCRIPTION**

FIG. 1 is a front top perspective view of a blocking sled showing my new design;  
 FIG. 2 is a front bottom perspective view thereof;  
 FIG. 3 is a rear top perspective view thereof;  
 FIG. 4 is a rear bottom perspective view thereof;  
 FIG. 5 is a front elevational view thereof, the rear elevational view being mirrored thereto;  
 FIG. 6 is a left elevational view thereof;  
 FIG. 7 is a right elevational view thereof;  
 FIG. 8 is a top plan view thereof; and  
 FIG. 9 is a bottom plan view thereof; and,  
 FIG. 10 is a front top perspective view of a blocking sled, showing the handle retracted down the handle base.

**1 Claim, 10 Drawing Sheets**



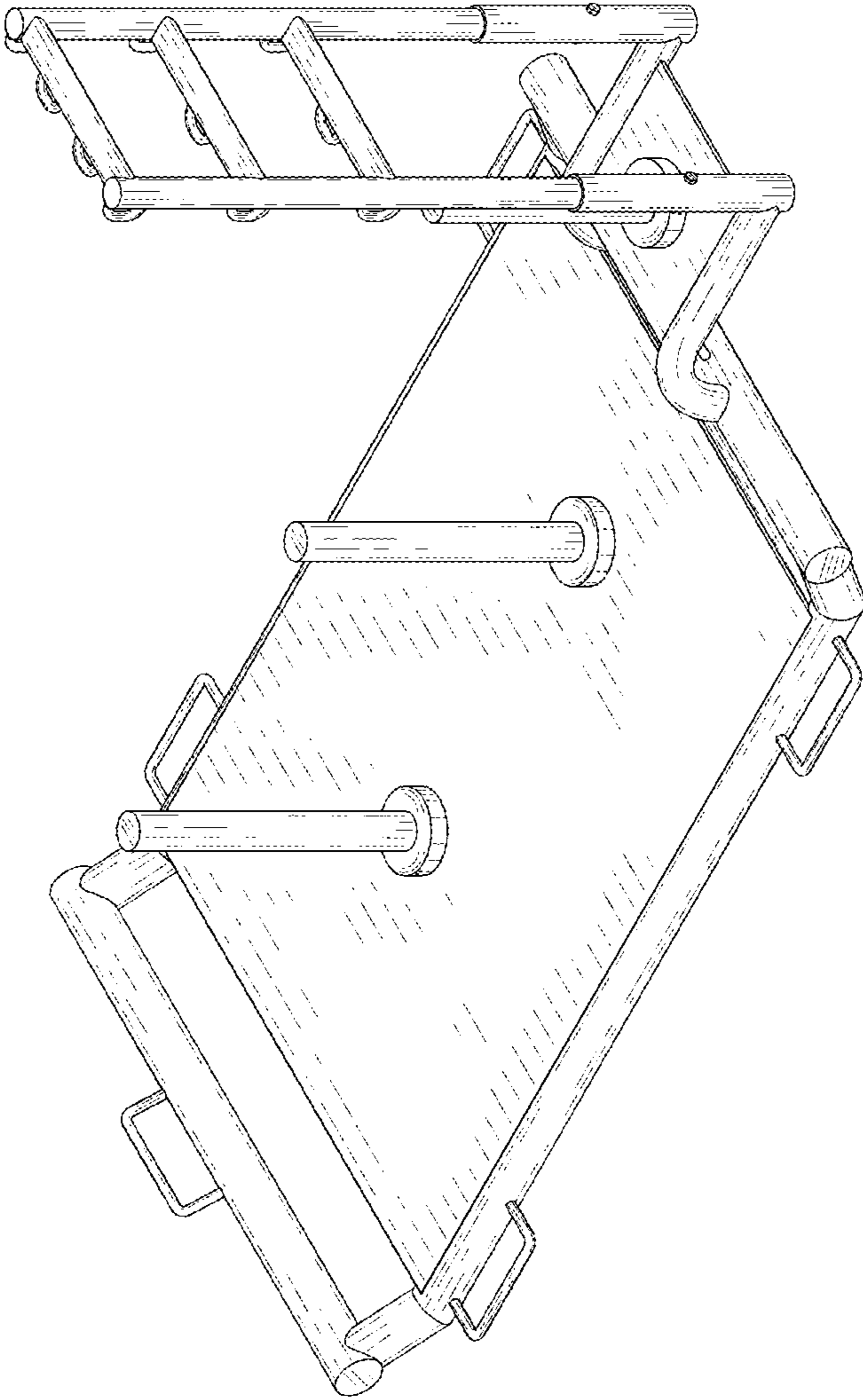


FIG. 1

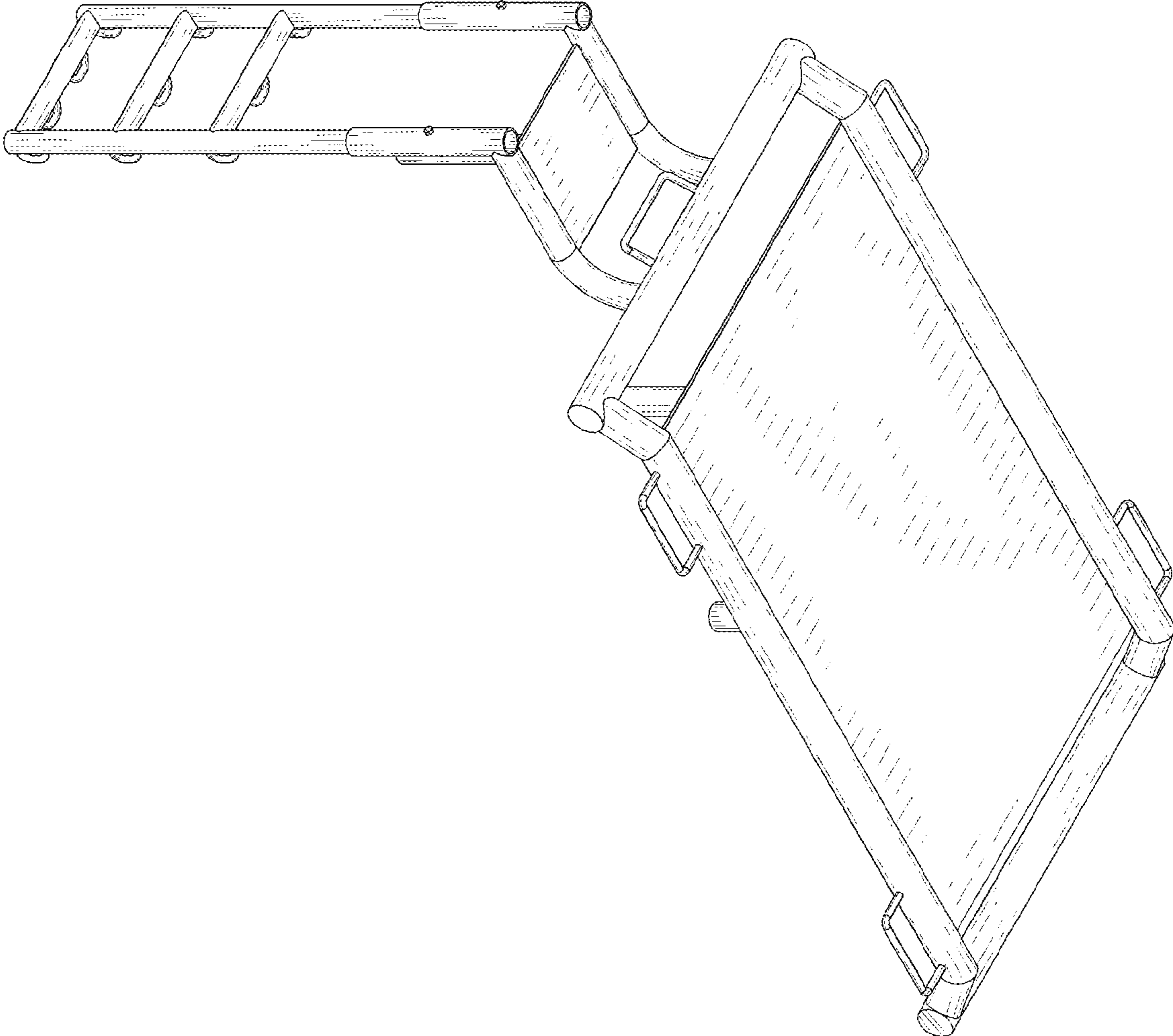


FIG. 2

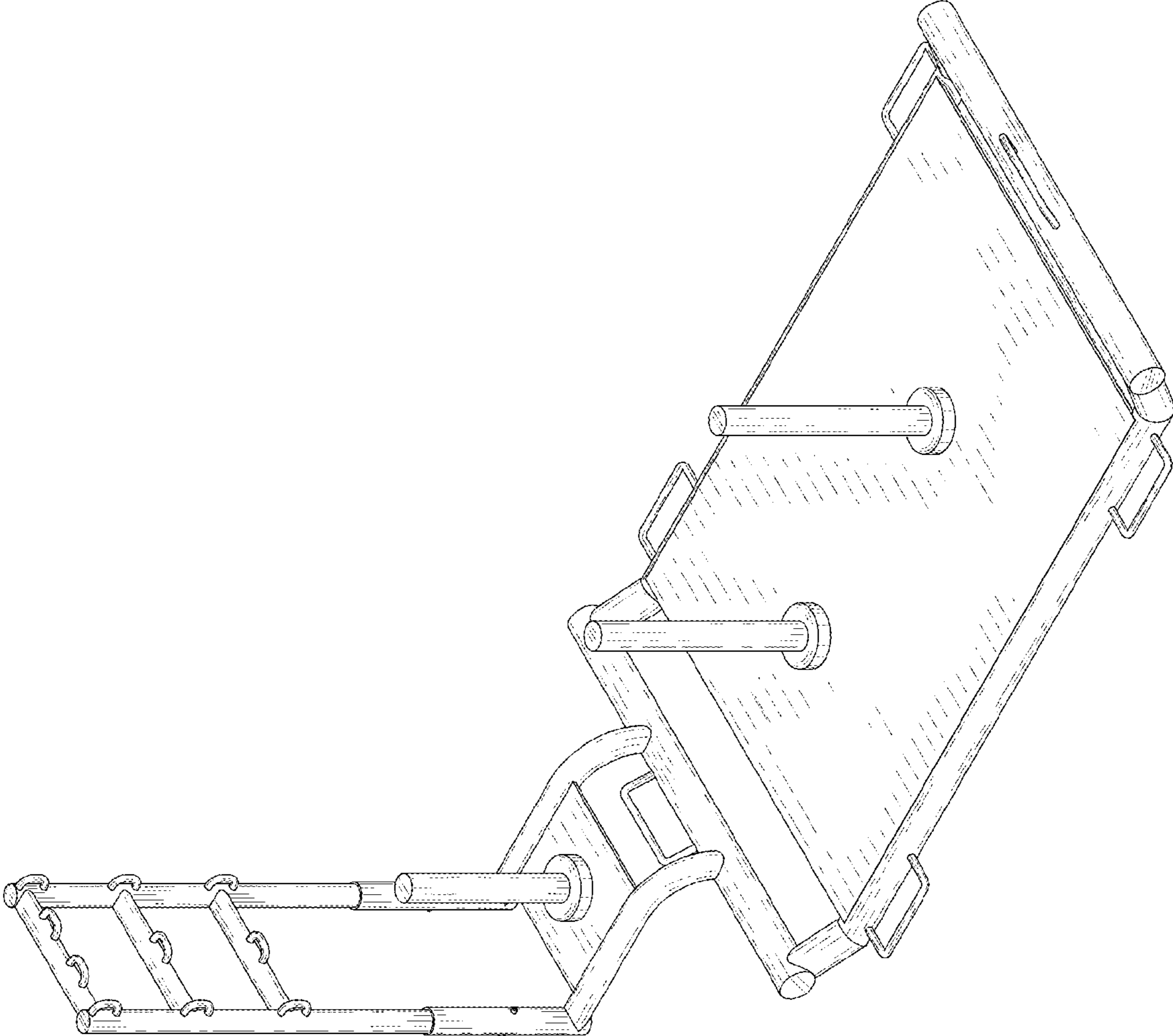


FIG. 3

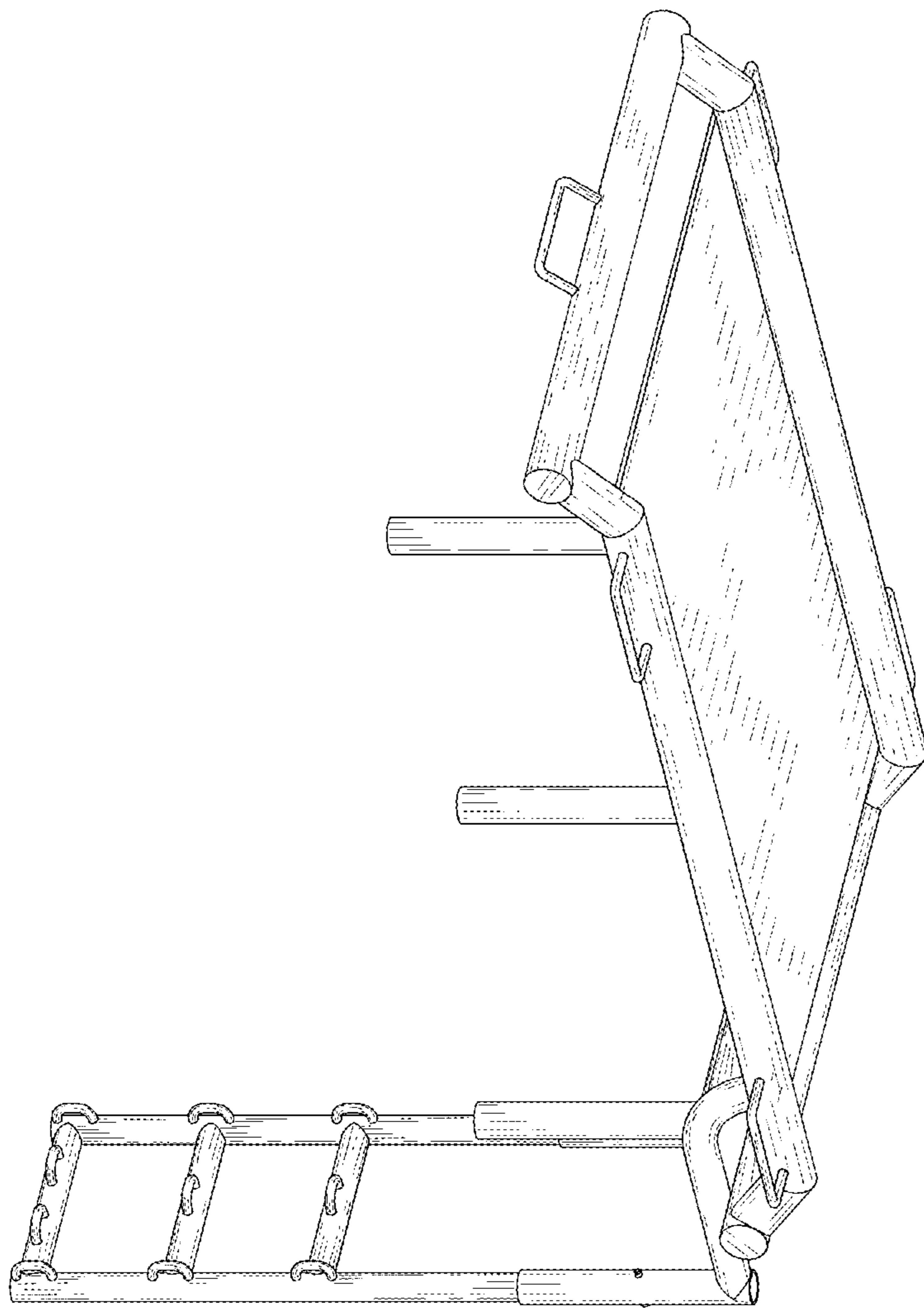


FIG. 4

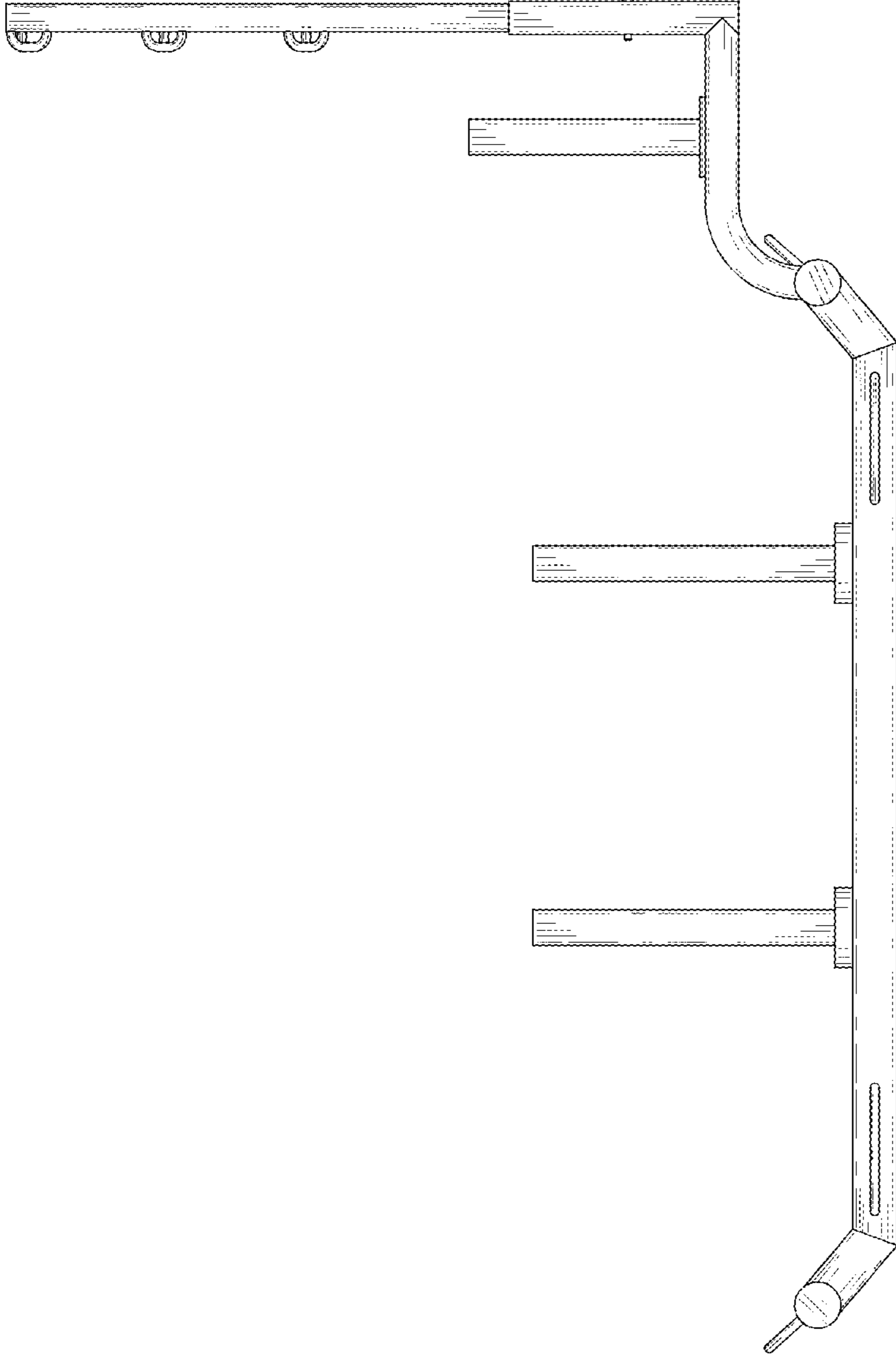


FIG. 5

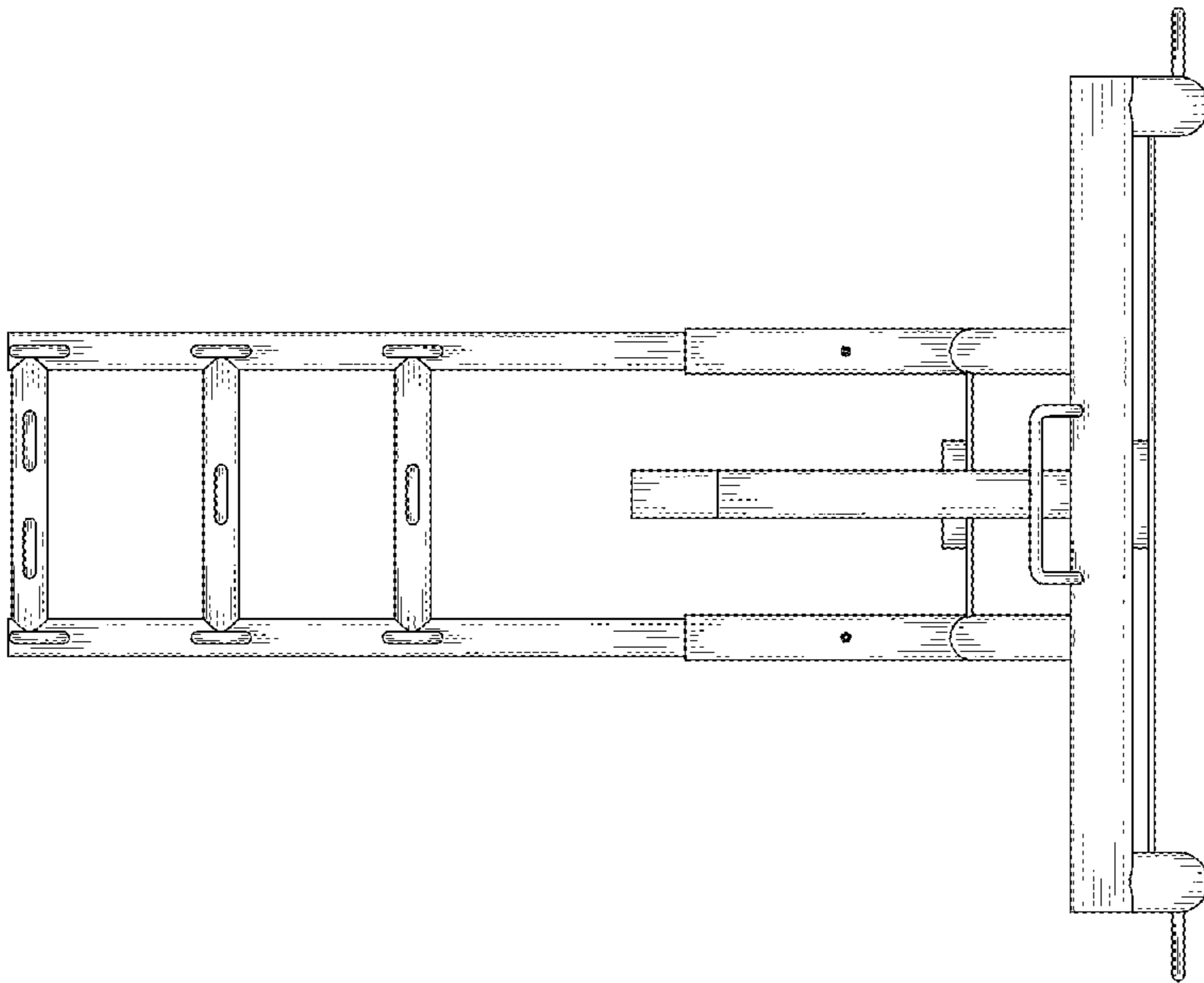


FIG. 6

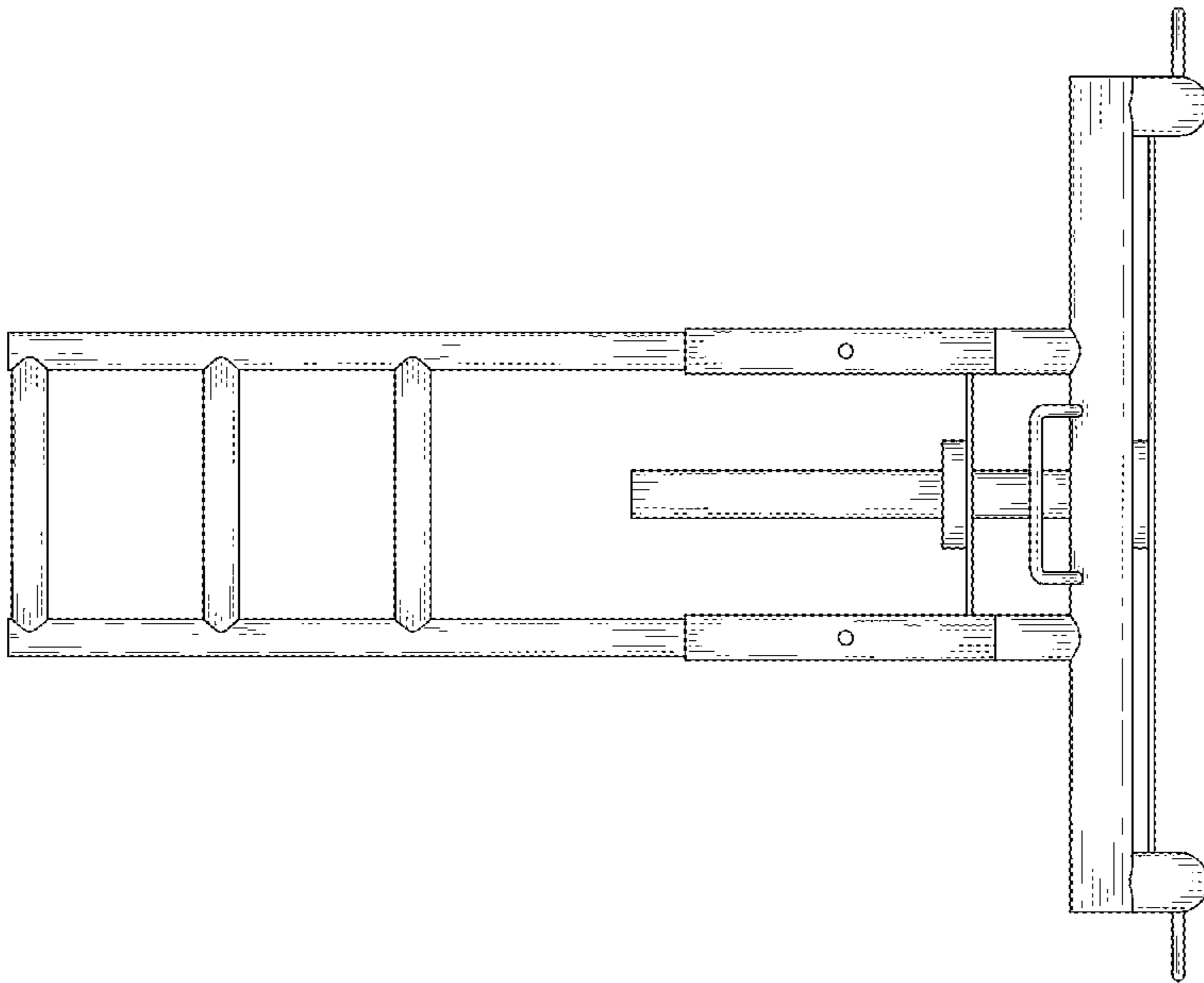


FIG. 7



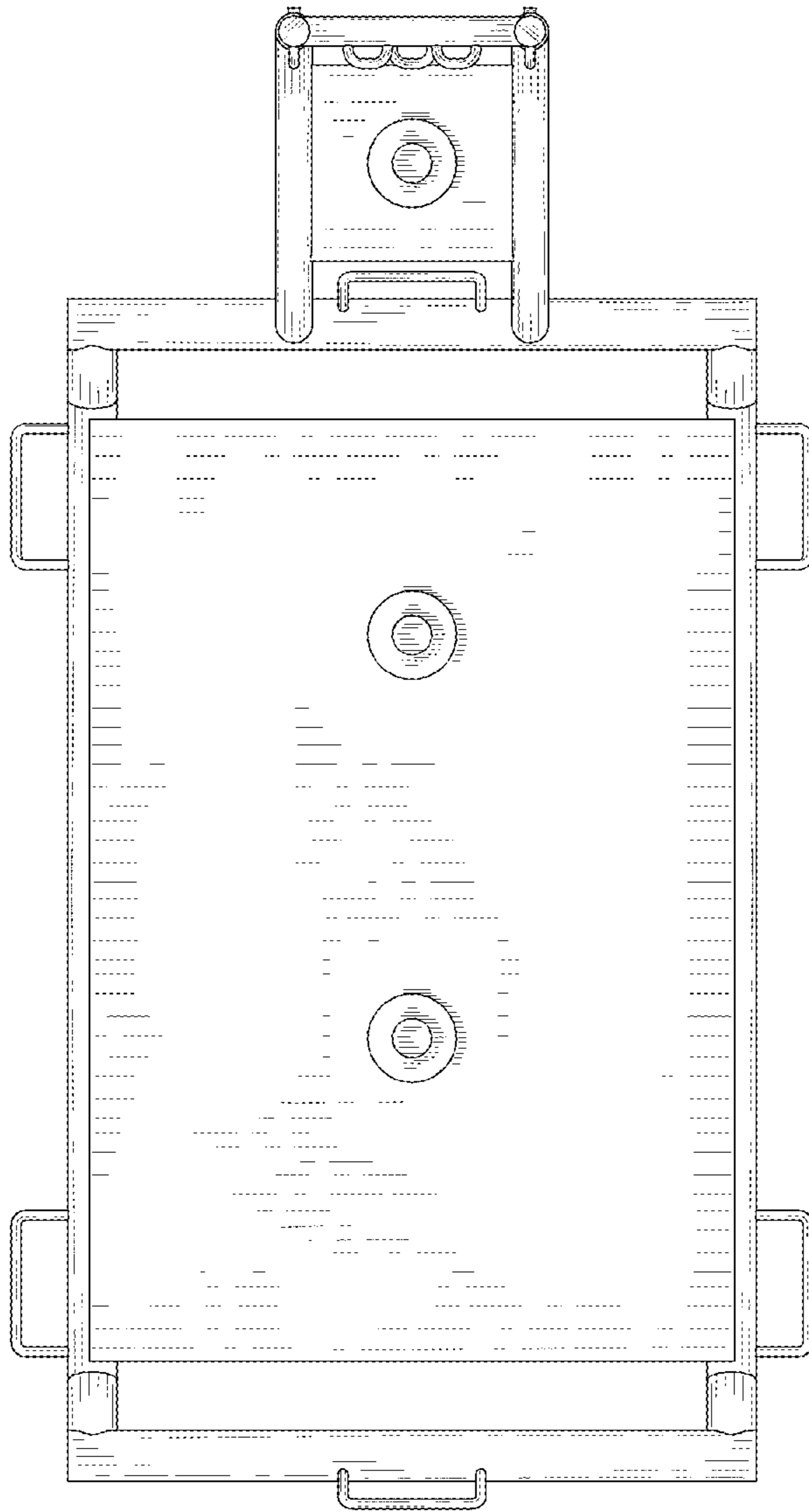


FIG. 8

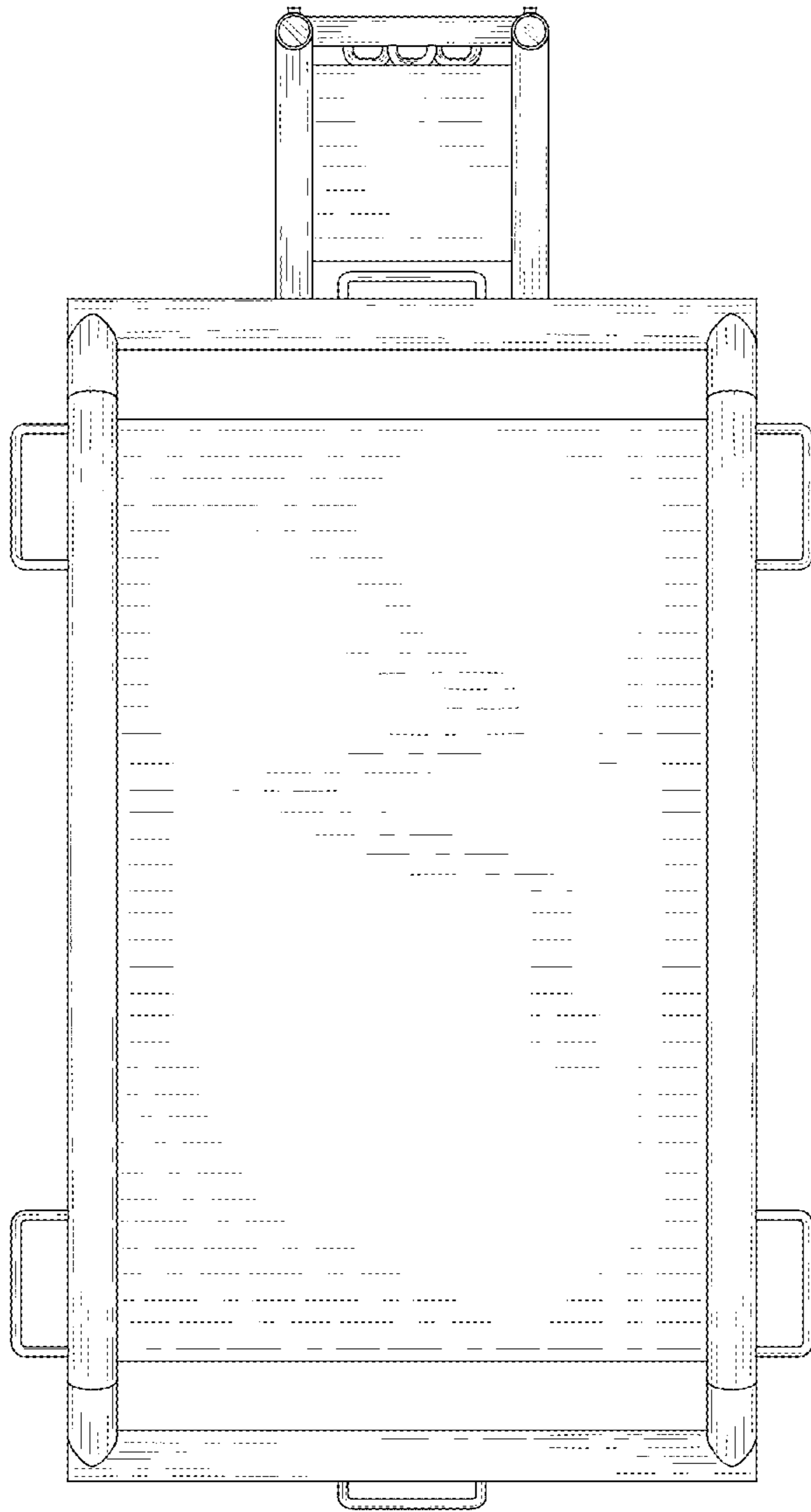


FIG. 9

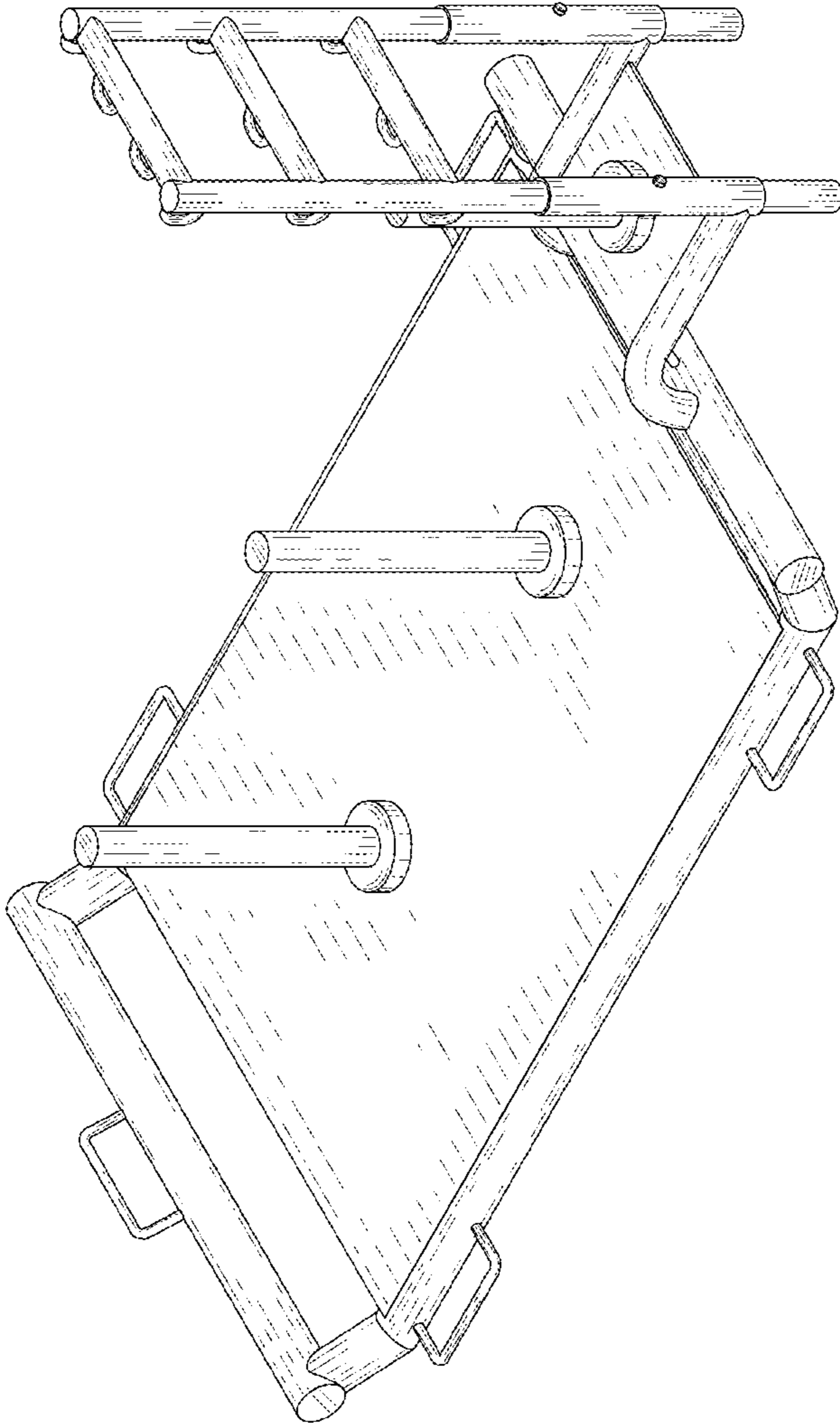


FIG. 10