



US00D887512S

(12) **United States Design Patent**
May

(10) **Patent No.:** **US D887,512 S**
(45) **Date of Patent:** **** Jun. 16, 2020**

- (54) **SNOW SKATE**
- (71) Applicant: **Kwik Tek, Inc.**, Denver, CO (US)
- (72) Inventor: **Aaron May**, Parker, CO (US)
- (73) Assignee: **Kwik Tek, Inc.**, Denver, CO (US)
- (**) Term: **15 Years**
- (21) Appl. No.: **29/677,917**
- (22) Filed: **Jan. 24, 2019**
- (51) **LOC (12) Cl.** **21-02**
- (52) **U.S. Cl.**
USPC **D21/766**
- (58) **Field of Classification Search**
USPC D21/760, 761, 765, 766, 801, 803;
D12/6
CPC .. A63C 5/04; A63C 5/12; A63C 5/048; A63C
5/128; A63C 17/017
See application file for complete search history.

6,290,249	B1	9/2001	Wolf	
D473,908	S *	4/2003	Eckert D21/766
D524,400	S *	7/2006	Langford D21/760
D557,365	S *	12/2007	Parten D21/766
D604,377	S *	11/2009	Phillips D21/766
D634,383	S *	3/2011	Johnsrud D21/766
2018/0214765	A1	8/2018	Gyr	

* cited by examiner

Primary Examiner — Zenia I Bennett

(74) *Attorney, Agent, or Firm* — Talus Law Group LLC

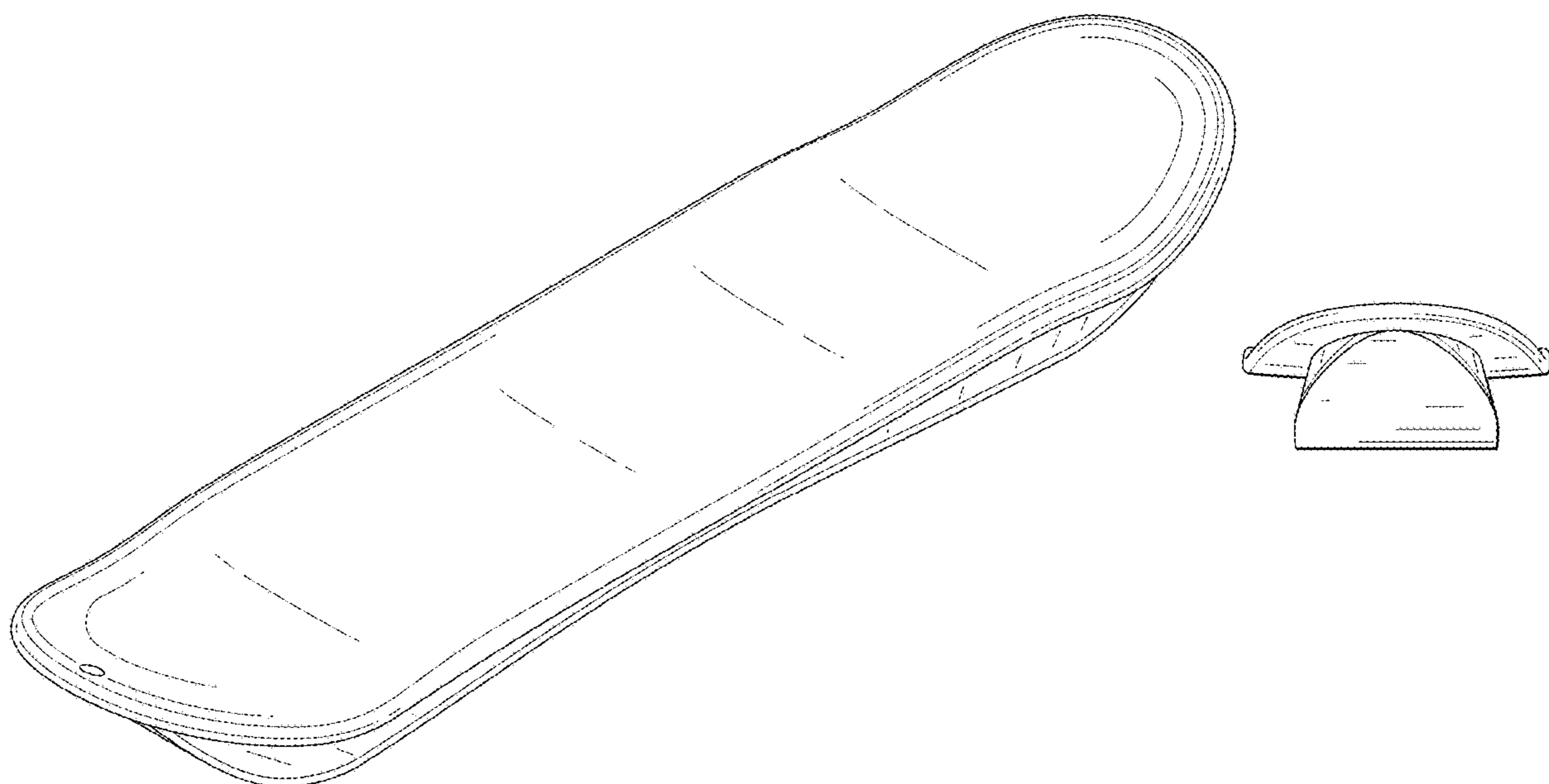
(57) **CLAIM**

The ornamental design for the snow skate, as shown and described.

DESCRIPTION

FIG. 1 is a perspective view of the snow skate showing the new design;
 FIG. 2 is a front elevation view thereof;
 FIG. 3 is a rear elevation view thereof;
 FIG. 4 is a left elevation view thereof;
 FIG. 5 is a right elevation view thereof;
 FIG. 6 is a top view thereof;
 FIG. 7 is a bottom view thereof;
 FIG. 8 is a cross-section thereof, taken along line 8-8 in FIG. 4;
 FIG. 9 is a cross-section thereof, taken along line 9-9 in FIG. 4; and,
 FIG. 10 is a cross-section thereof, taken along line 10-10 in FIG. 4.

1 Claim, 4 Drawing Sheets



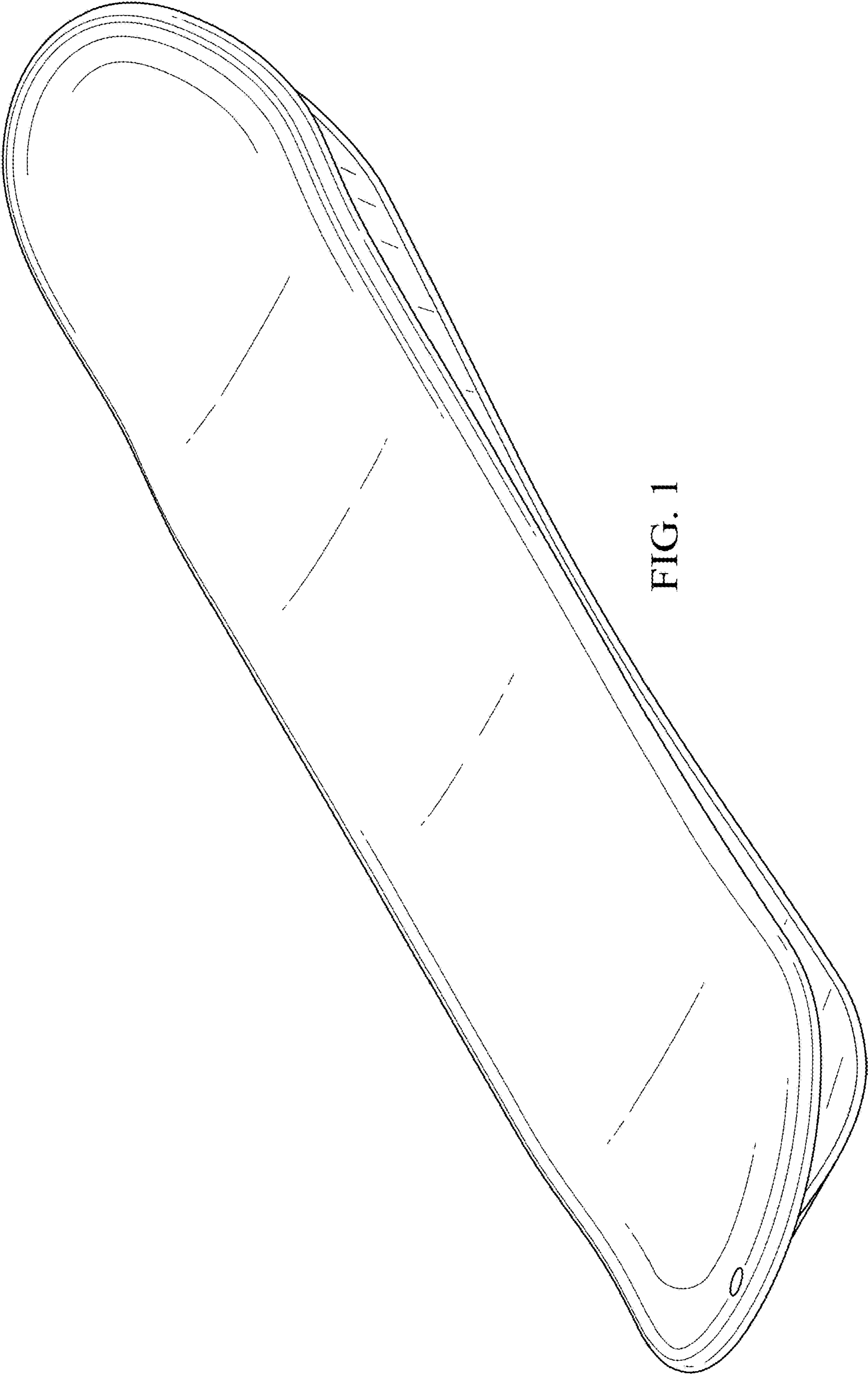


FIG. 1

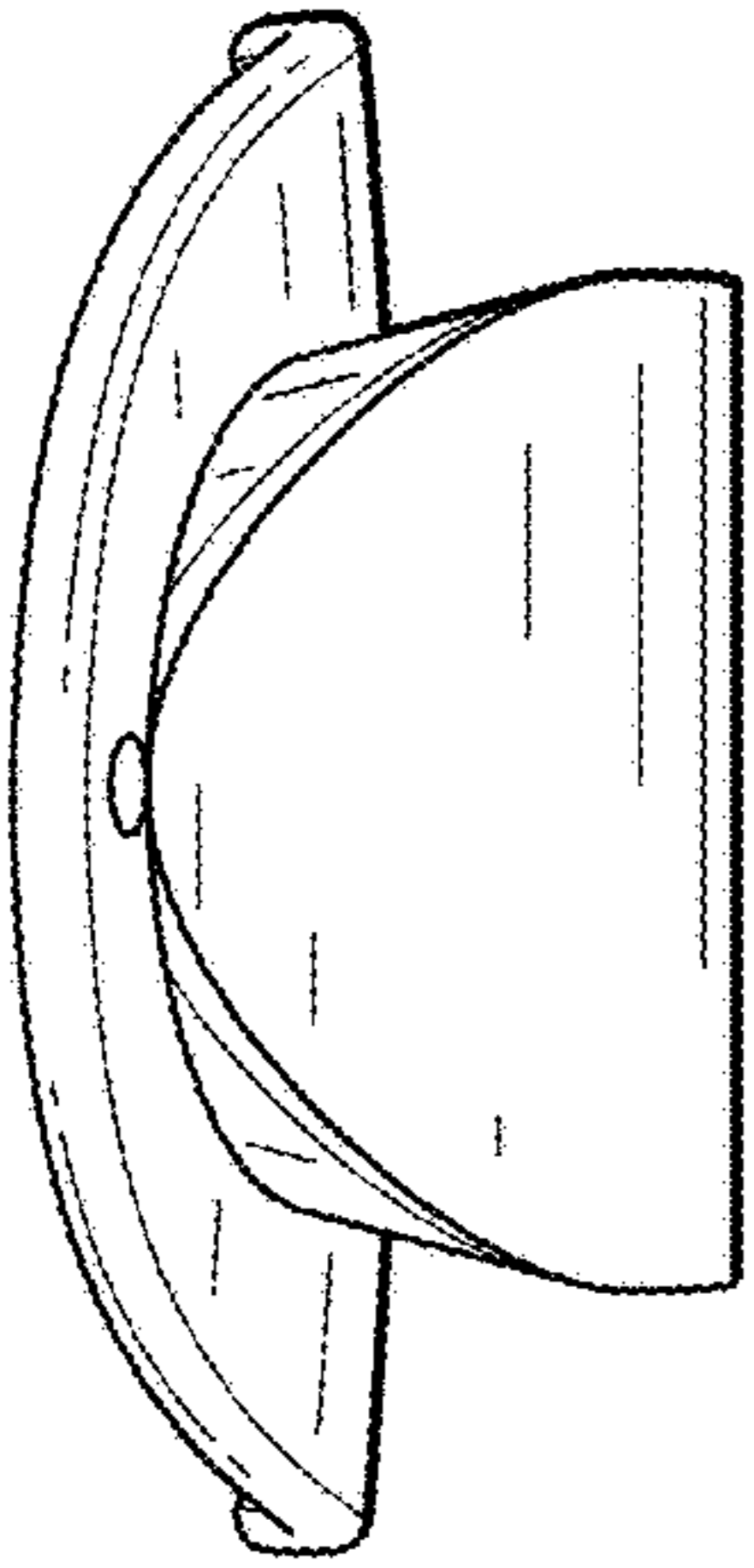


FIG. 2

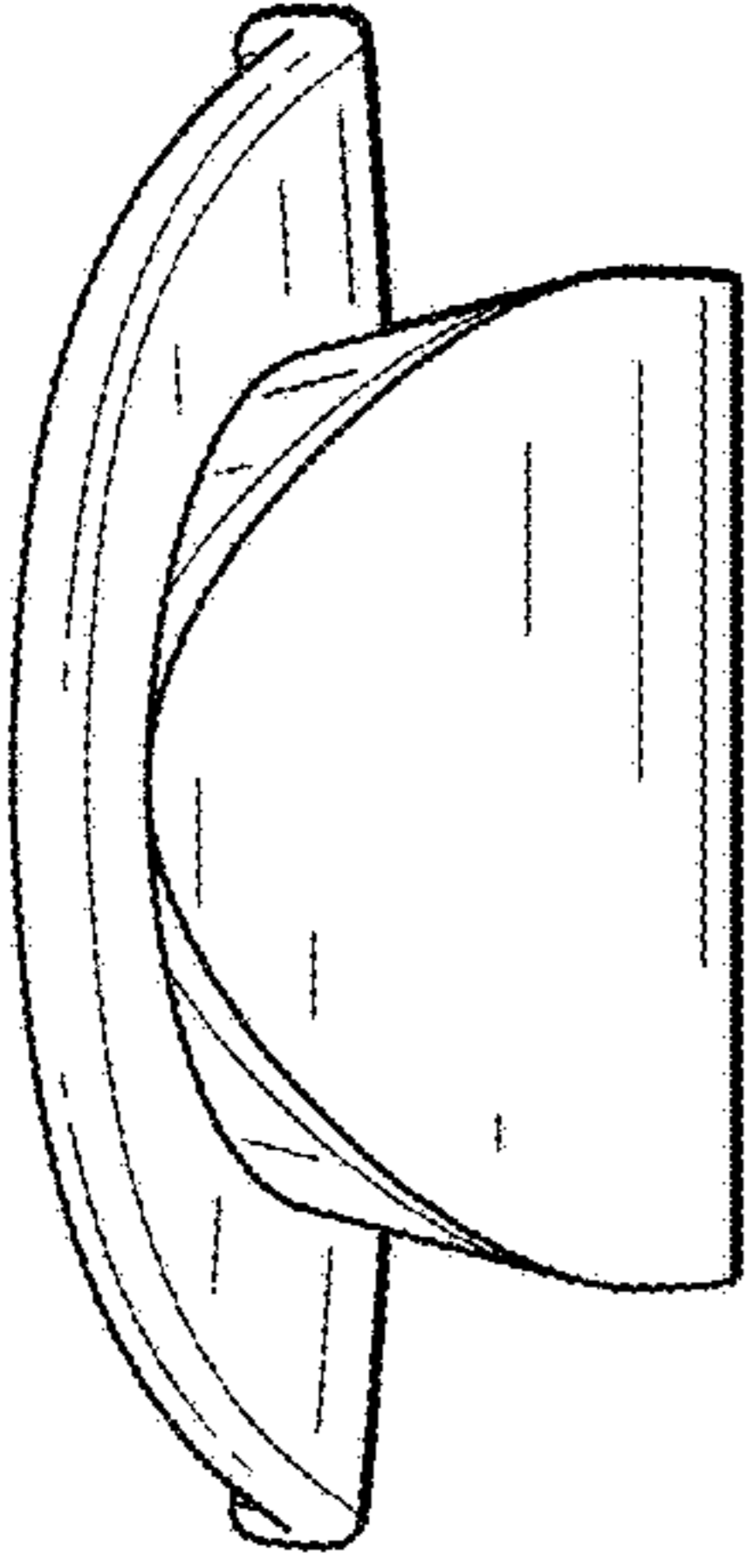


FIG. 3

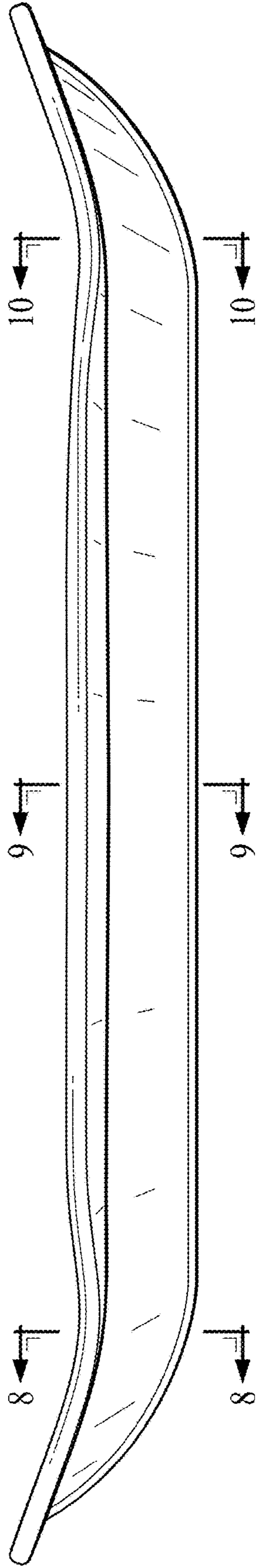


FIG. 4

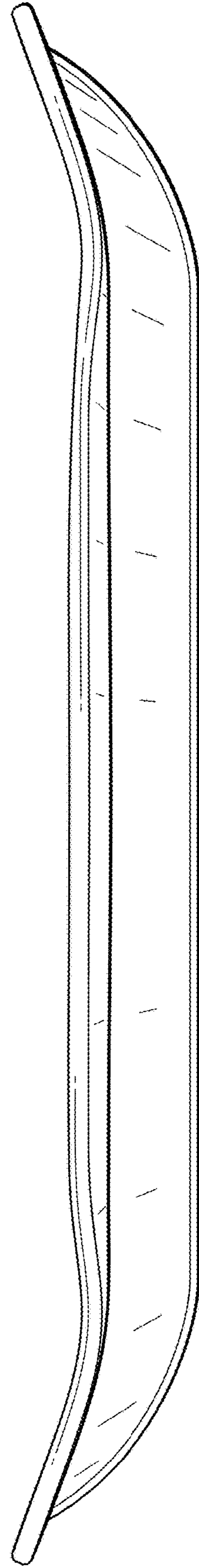


FIG. 5

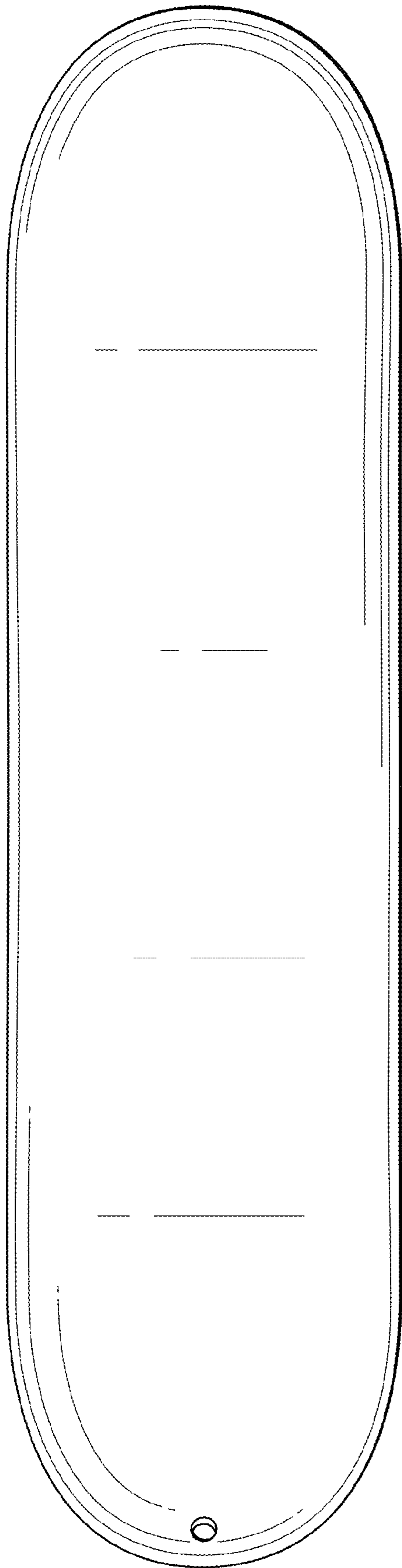


FIG. 6

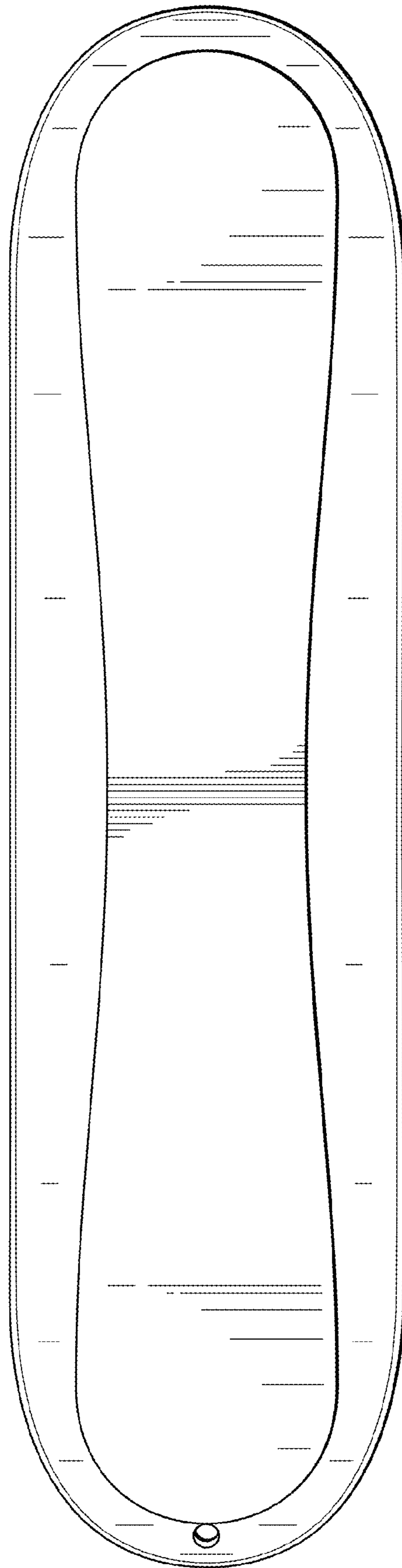


FIG. 7

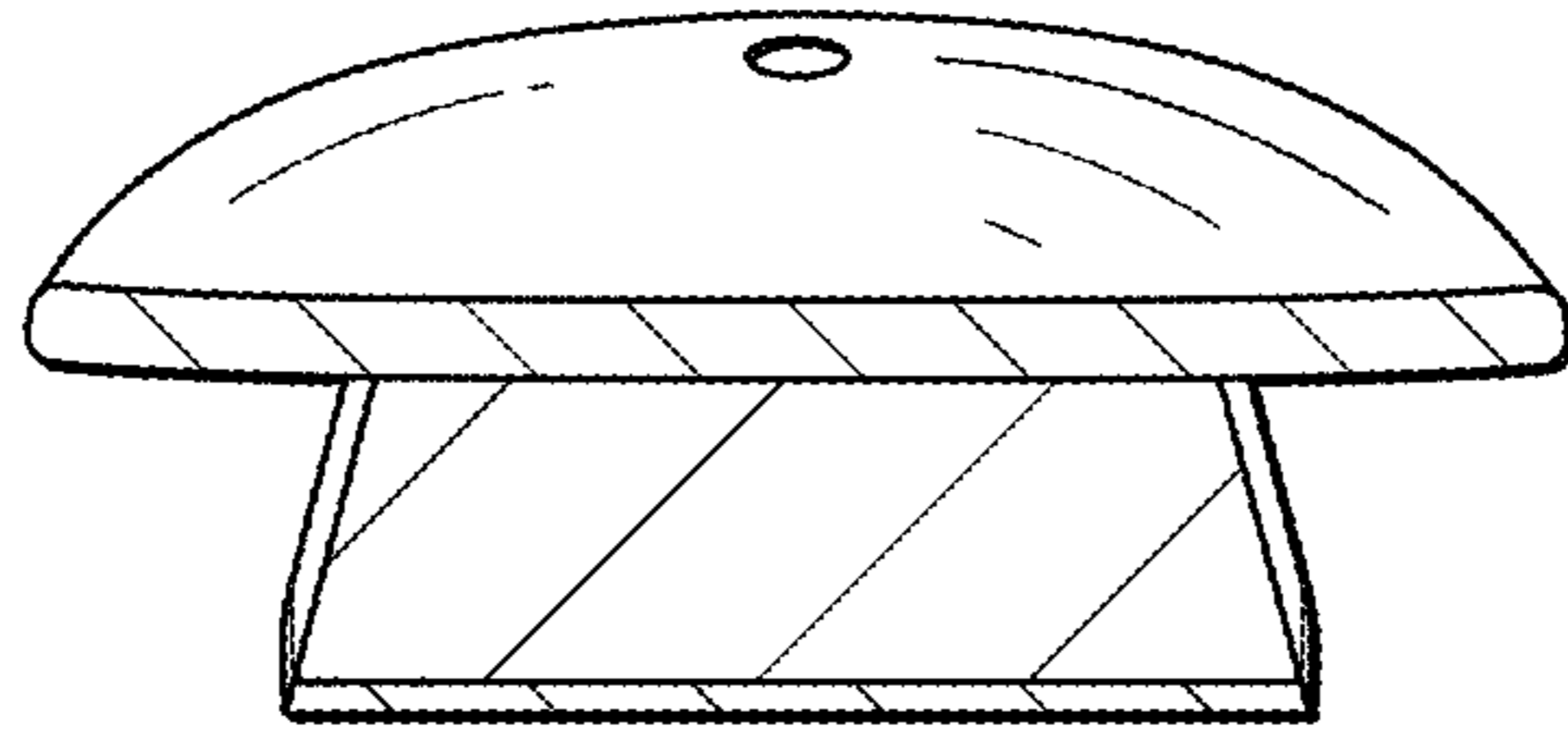


FIG. 8

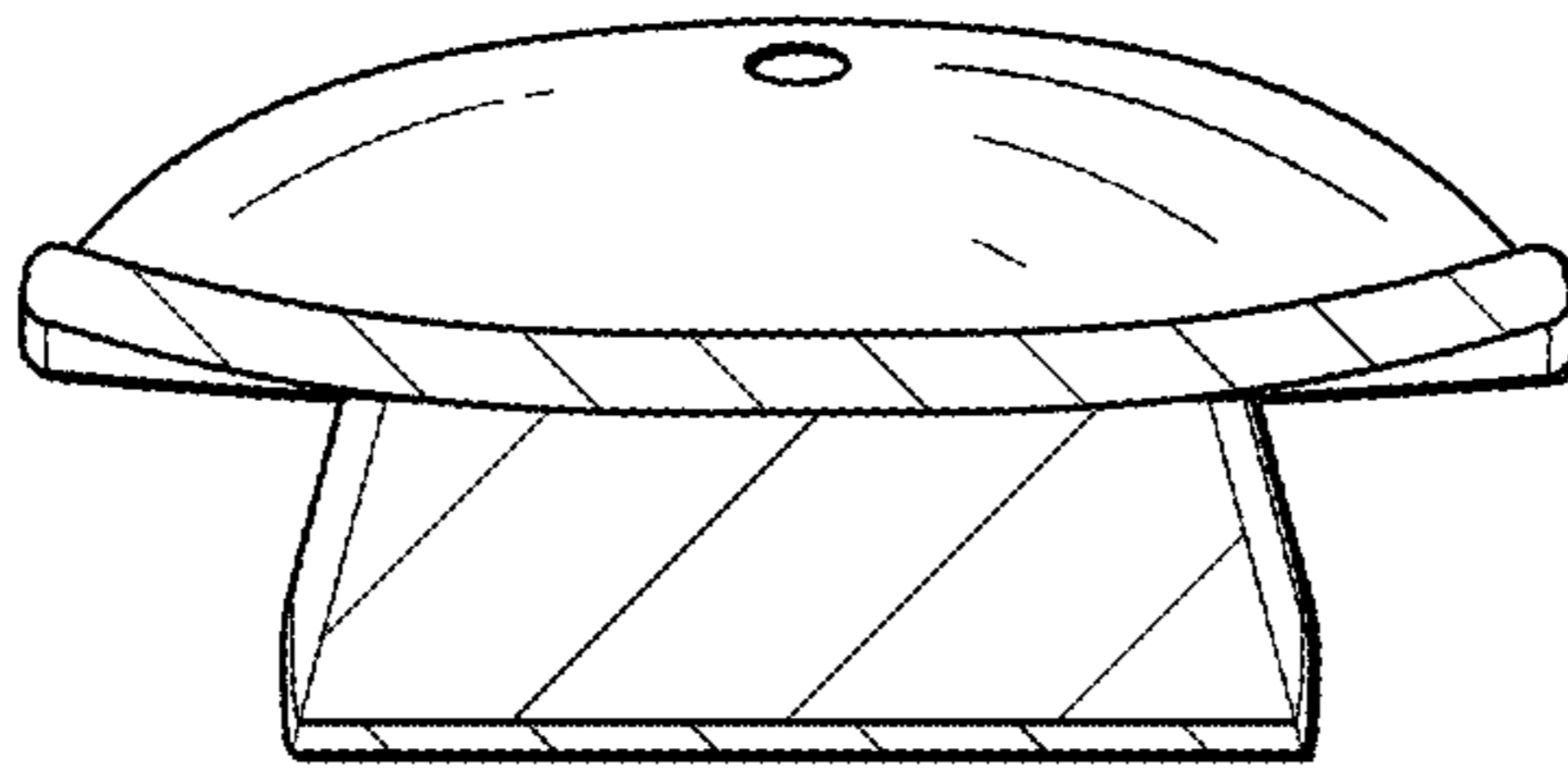


FIG. 9

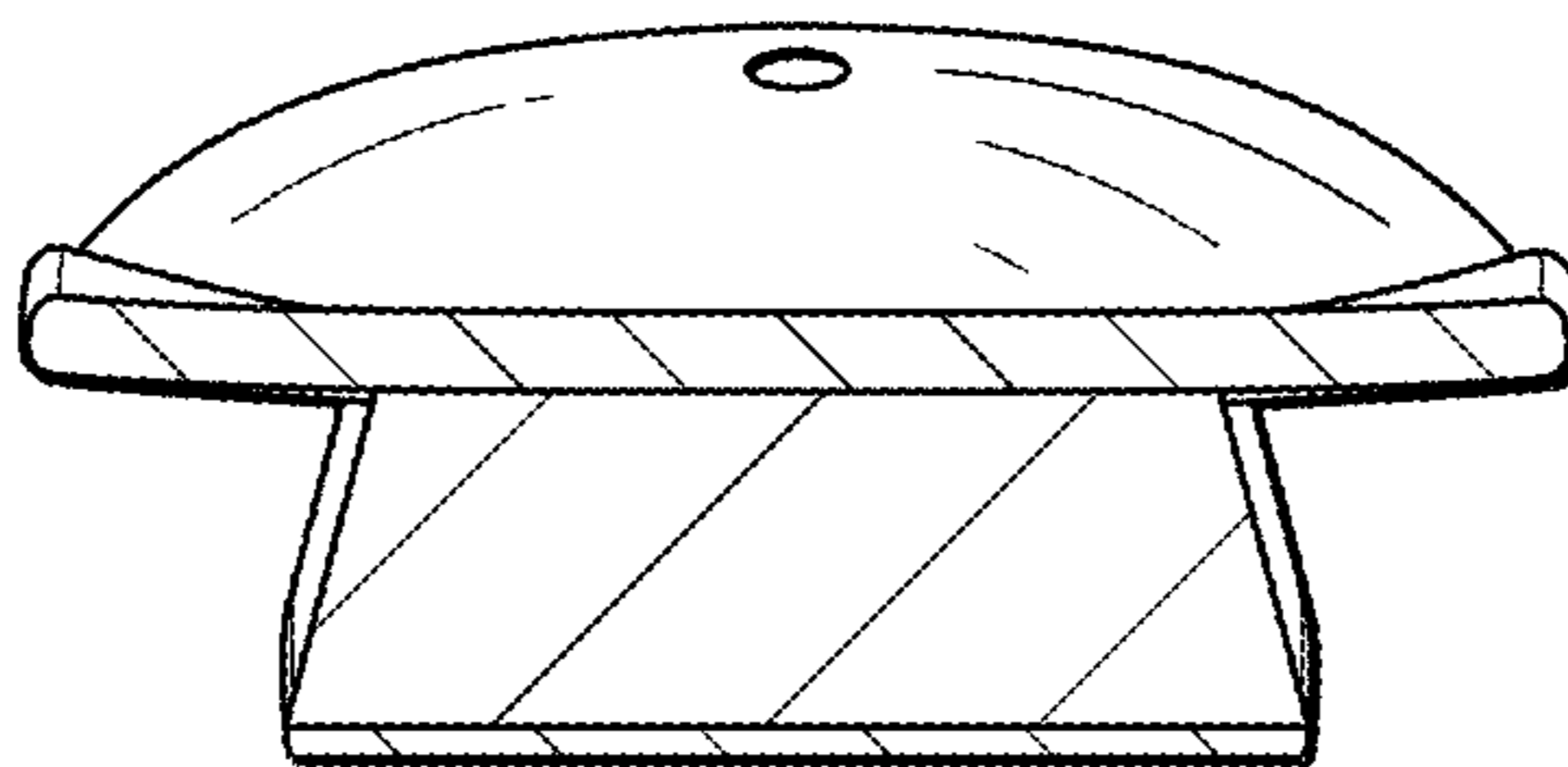


FIG. 10