



US00D887511S

(12) **United States Design Patent**
Fu

(10) **Patent No.:** **US D887,511 S**
(45) **Date of Patent:** **** Jun. 16, 2020**

(54) **SKATEBOARD**

(71) Applicant: **Shenzhen Zhouwu Technology Co., Ltd.**, Shenzhen (CN)

(72) Inventor: **Ji-Zhi Fu**, Shenzhen (CN)

(73) Assignee: **Shenzhen Zhouwu Technology Co., Ltd.**, Shenzhen (CN)

(**) Term: **15 Years**

(21) Appl. No.: **29/686,113**

(22) Filed: **Apr. 2, 2019**

(30) **Foreign Application Priority Data**

Oct. 25, 2018 (CN) 2018 3 0599343

(51) **LOC (12) Cl.** **21-02**

(52) **U.S. Cl.**
USPC **D21/765**

(58) **Field of Classification Search**
USPC D21/419, 421, 423, 426, 662, 760, 765,
D21/766, 769, 771, 776
CPC A63C 17/01; A63C 17/011; A63C 17/012;
A63C 17/014; A63C 17/015; A63C
17/02; A63C 17/26; A63C 5/003; B60Q
1/326; B62K 3/001

See application file for complete search history.

(56) **References Cited**

U.S. PATENT DOCUMENTS

D629,859 S * 12/2010 Buksa D21/765
8,550,480 B1 * 10/2013 Bonilla A63C 17/012
280/87.042

D751,160 S * 3/2016 Tian D21/765
9,375,632 B1 * 6/2016 Kish A63C 17/012
D828,885 S * 9/2018 Liu D21/765
D831,768 S * 10/2018 Andreasyan D21/765
2016/0296830 A1 * 10/2016 Turner A63C 17/01

* cited by examiner

Primary Examiner — Cynthia M. Chin

(74) *Attorney, Agent, or Firm* — ScienBiziP, P.C.

(57) **CLAIM**

The ornamental design for an skateboard, as shown and described.

DESCRIPTION

FIG. 1 is a first perspective view of an skateboard, showing my design.

FIG. 2 is a second perspective view thereof.

FIG. 3 is a front elevation view thereof.

FIG. 4 is a rear elevation view thereof.

FIG. 5 is a left side elevation view thereof.

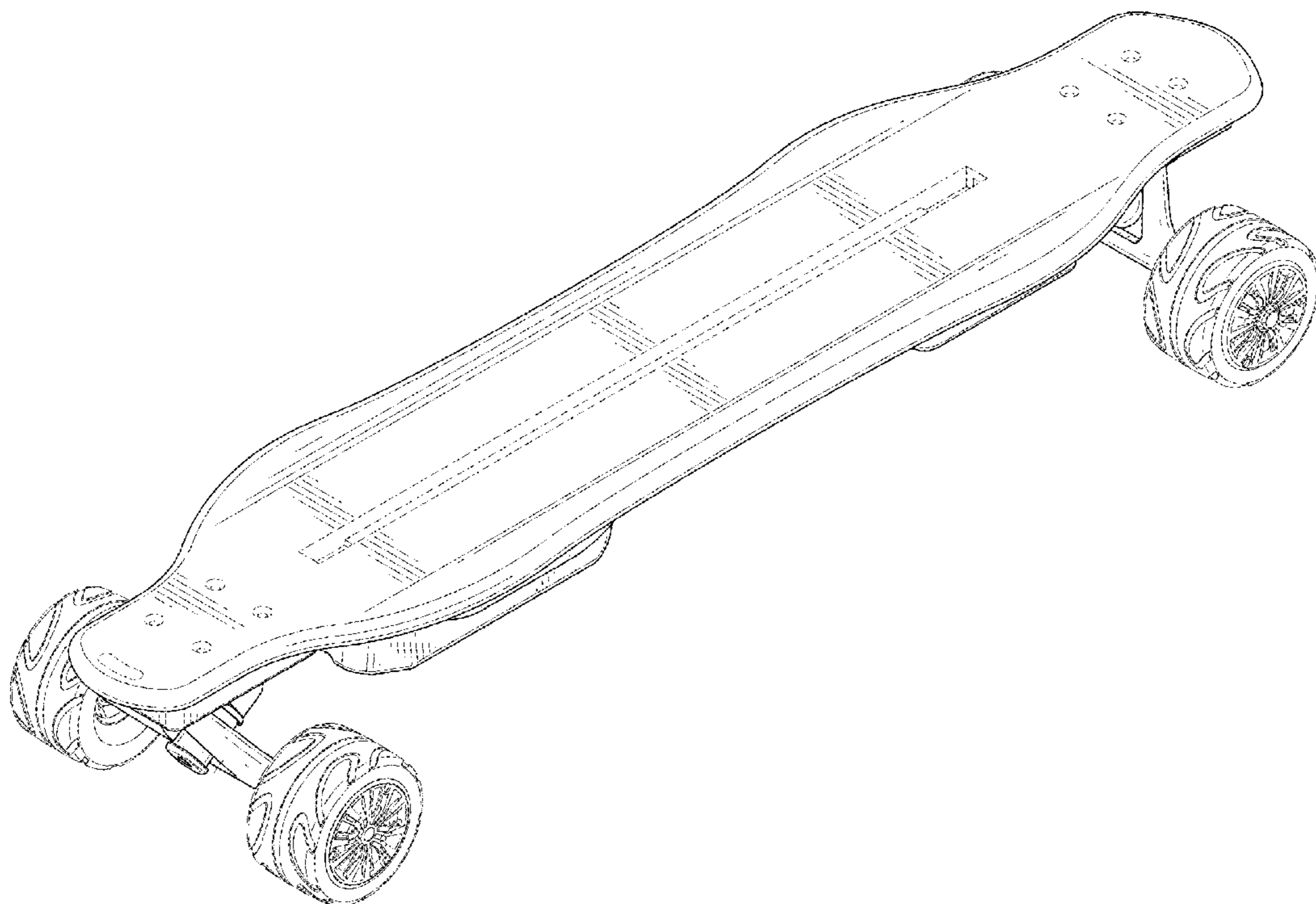
FIG. 6 is a right side elevation view thereof.

FIG. 7 is a top plan view thereof; and,

FIG. 8 is a bottom plan view thereof.

The broken lines are for the purpose of illustrating portions of the article that form no part of the claim.

1 Claim, 8 Drawing Sheets



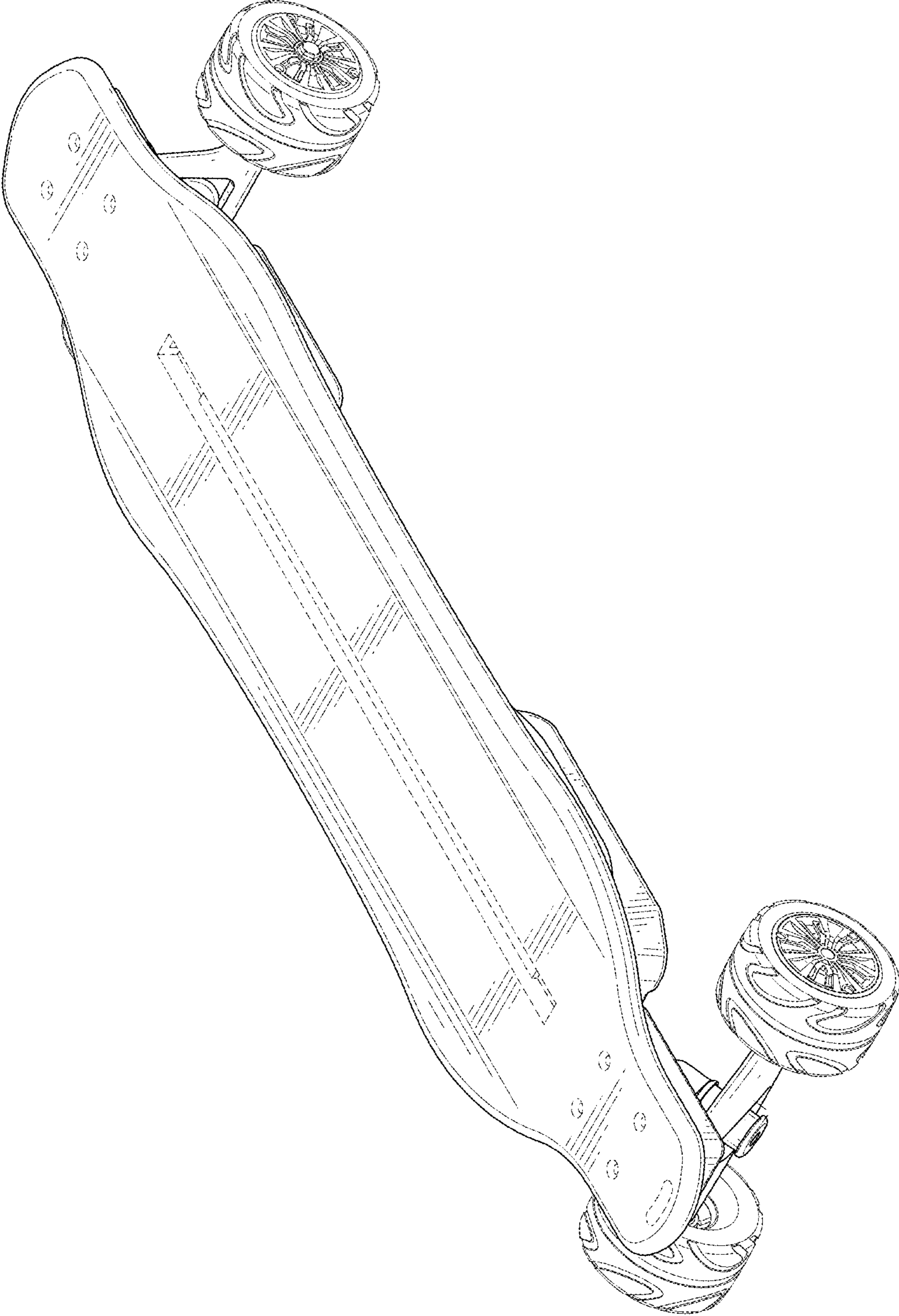


FIG. 1

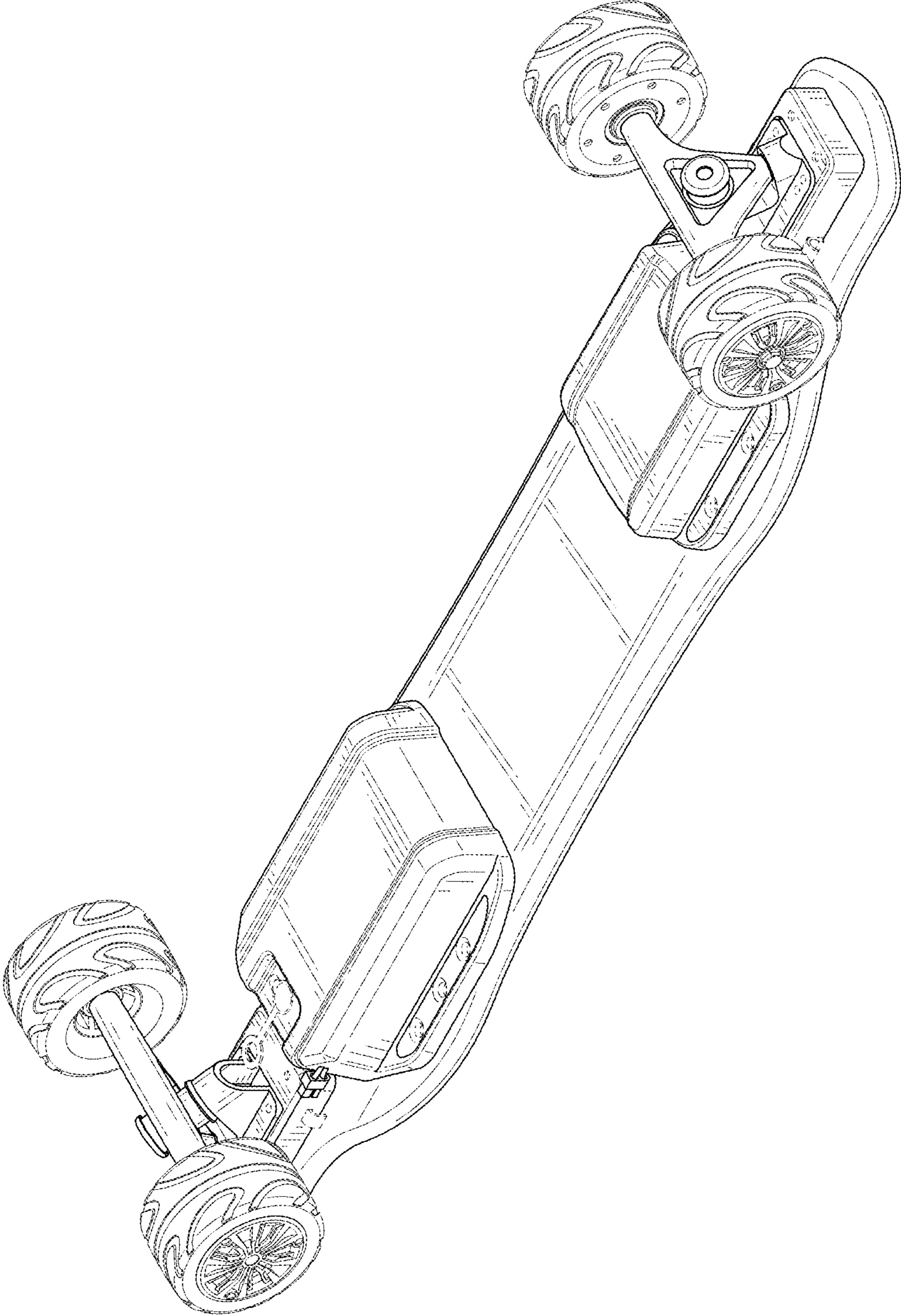


FIG. 2

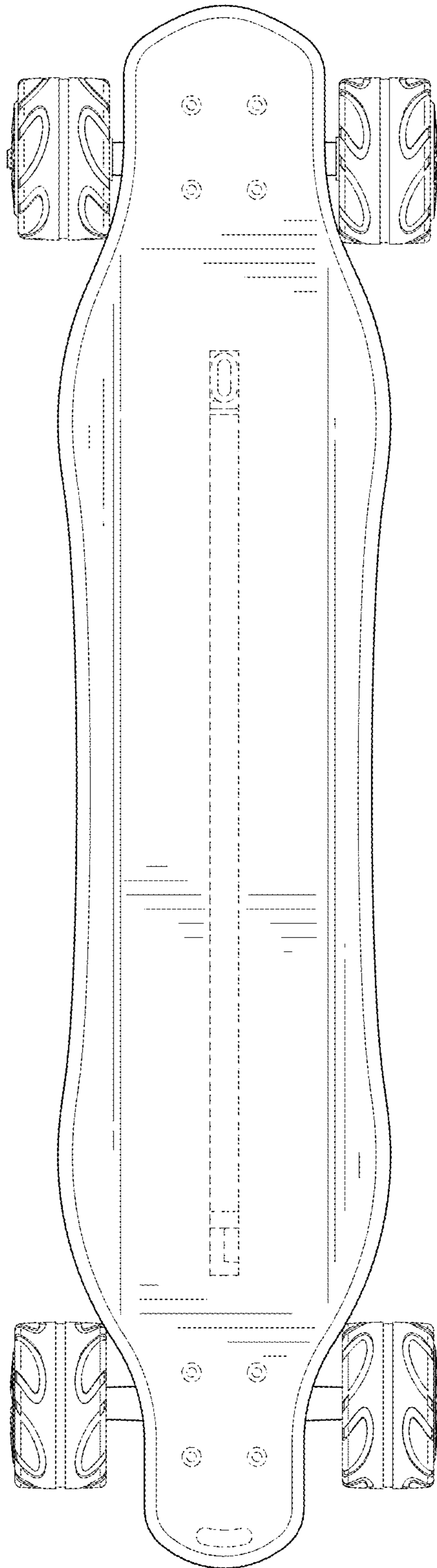


FIG. 3

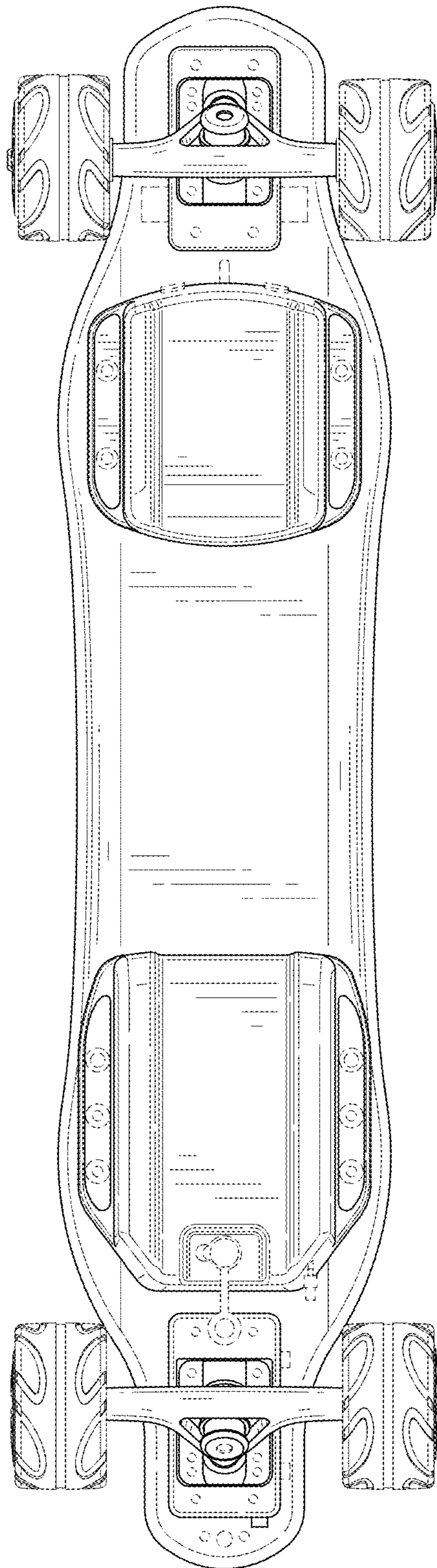


FIG. 4

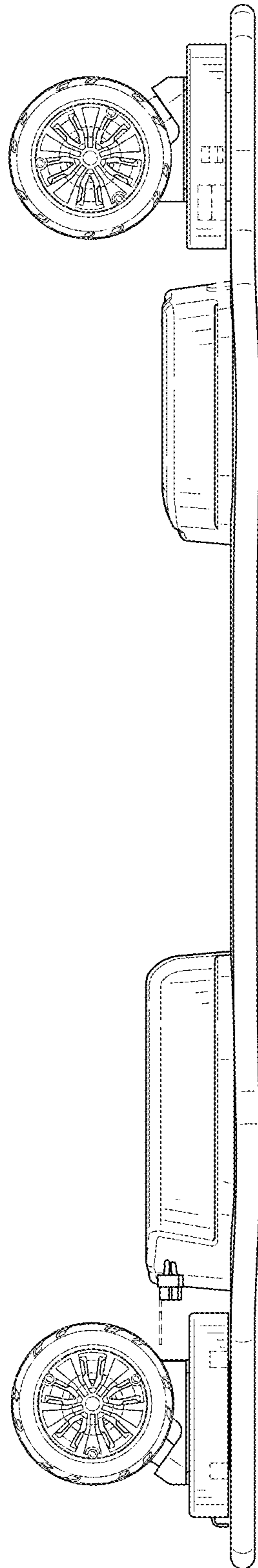


FIG. 5

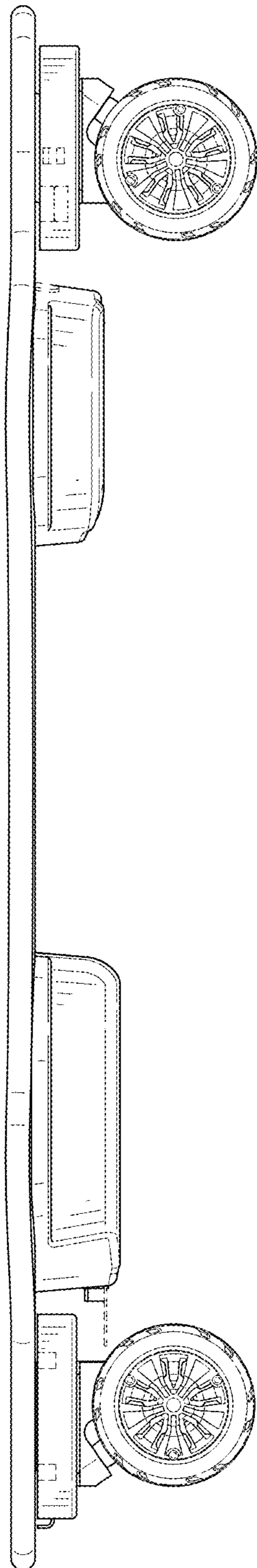


FIG. 6

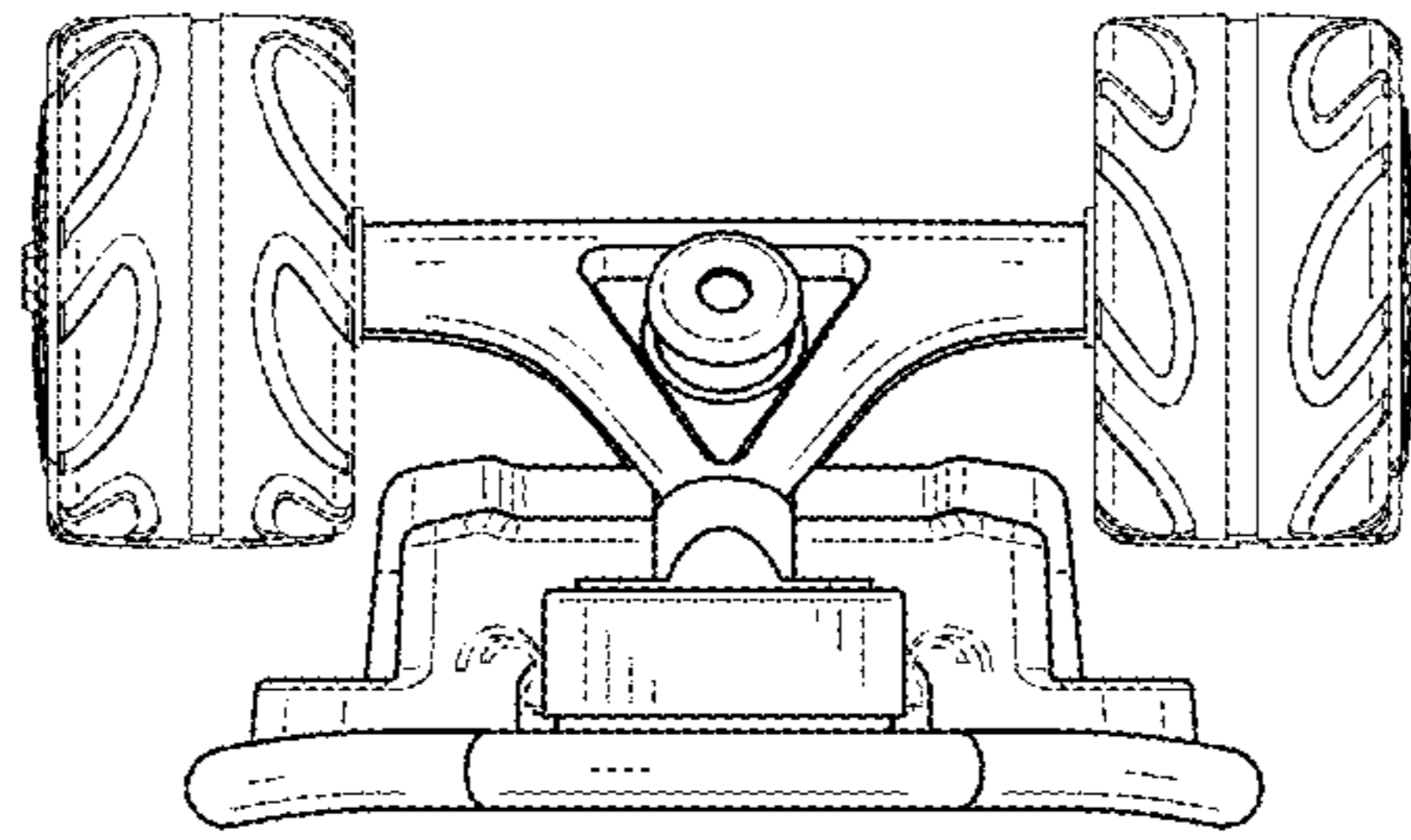


FIG. 7

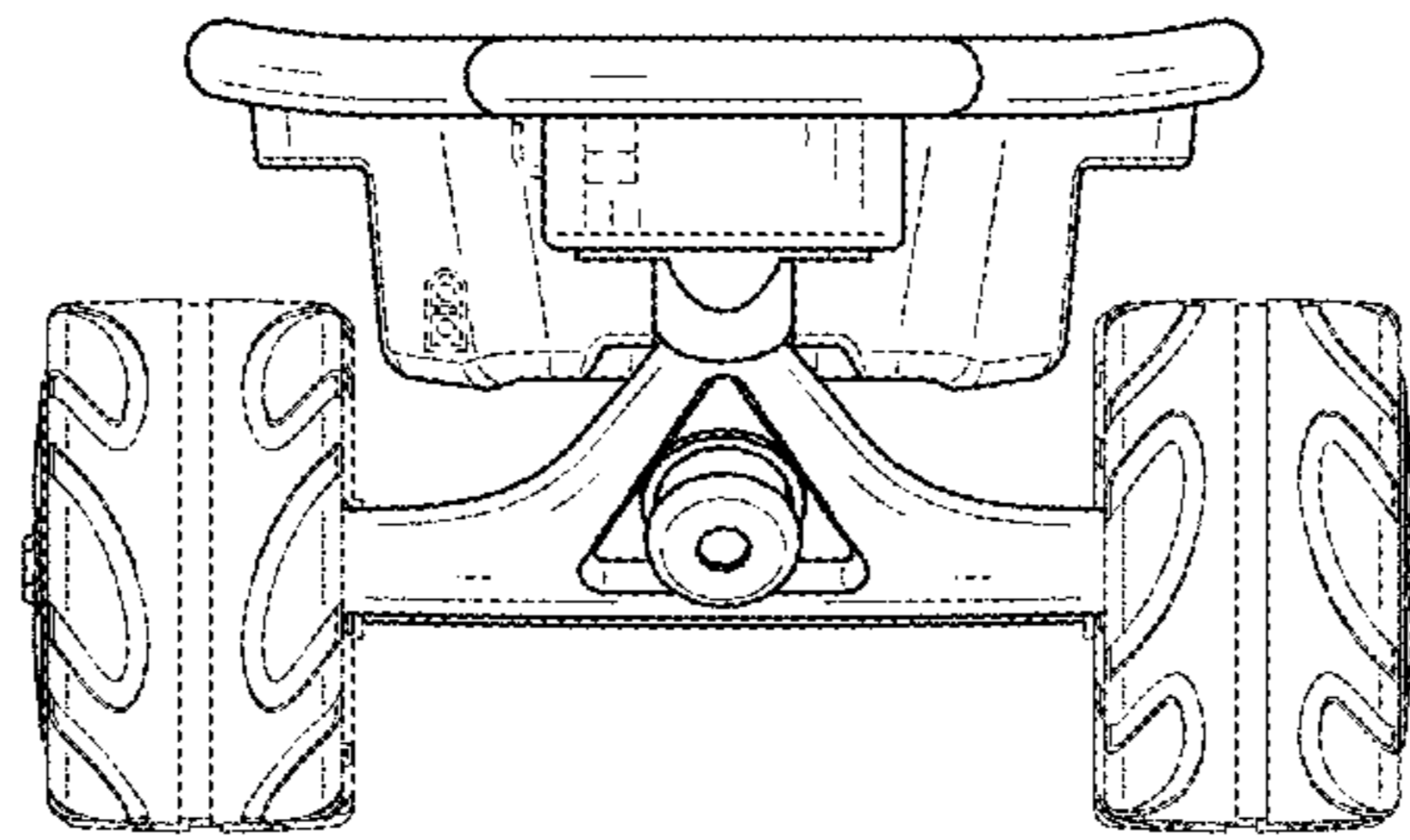


FIG. 8