



US00D887508S

(12) **United States Design Patent**
Reid et al.

(10) **Patent No.:** **US D887,508 S**

(45) **Date of Patent:** **** Jun. 16, 2020**

- (54) **TWISTED GOLF TEE**
- (71) Applicant: **TWISTED GOLF TEES LLC**, Pewee Valley, KY (US)
- (72) Inventors: **Mary Catherine Reid**, Pewee Valley, KY (US); **Thomas Brutscher**, Georgetown, IN (US)
- (73) Assignee: **TWISTED GOLF TEES LLC**, Pewee Valley, KY (US)
- (**) Term: **15 Years**
- (21) Appl. No.: **29/682,851**
- (22) Filed: **Mar. 8, 2019**
- (51) **LOC (12) Cl.** **21-02**
- (52) **U.S. Cl.**
USPC **D21/718**
- (58) **Field of Classification Search**
USPC D21/717, 718, 719, 789-796;
473/387-403
CPC A63B 57/10-353
See application file for complete search history.

- D306,194 S * 2/1990 Sadowski D21/718
- D338,510 S * 8/1993 Fellows D21/718
- D348,296 S * 6/1994 Salonica D21/718
- D392,704 S * 3/1998 Bowman D21/718
- 6,341,752 B1 * 1/2002 Green A63B 57/10
248/156
- D621,456 S * 8/2010 Cathro D21/718
- D848,561 S * 5/2019 Reid D21/718
- 2004/0192474 A1 * 9/2004 Pietsch A63B 57/50
473/387
- 2007/0117657 A1 * 5/2007 Prickett B67B 7/403
473/387
- 2014/0171223 A1 * 6/2014 Kellam A63B 57/10
473/387
- 2019/0083864 A1 * 3/2019 LeBlanc A63B 57/10

* cited by examiner

Primary Examiner — Catherine A Tuttle
(74) *Attorney, Agent, or Firm* — Stites & Harbison, PLLC; Terry L. Wright

(57) **CLAIM**

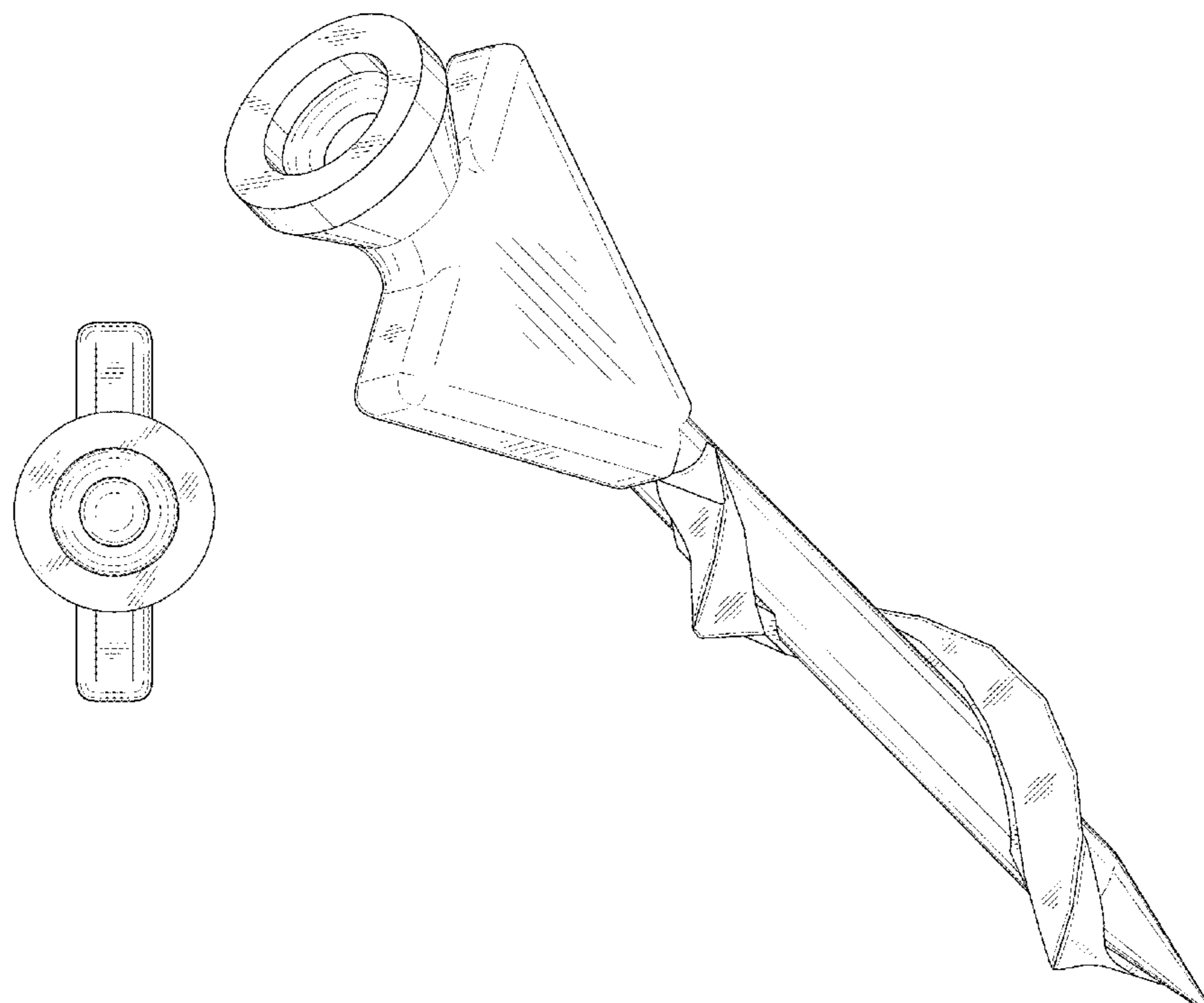
The ornamental design for a twisted golf tee, as shown and described.

DESCRIPTION

FIG. 1 is a top view of the twisted golf tee showing our new design;
FIG. 2 is a bottom view thereof;
FIG. 3 is a front elevational view thereof;
FIG. 4 is a rear elevational view thereof;
FIG. 5 is a left side elevational view thereof;
FIG. 6 is a right side elevational view thereof; and,
FIG. 7 is a perspective view thereof.

1 Claim, 4 Drawing Sheets

- (56) **References Cited**
U.S. PATENT DOCUMENTS
- 1,623,119 A * 4/1927 Kearney A63B 57/10
473/391
- 1,641,155 A * 9/1927 Clausing A63B 57/10
473/402
- 4,418,909 A * 12/1983 Messana A63B 57/10
473/396
- D304,607 S * 11/1989 Bagg D21/718



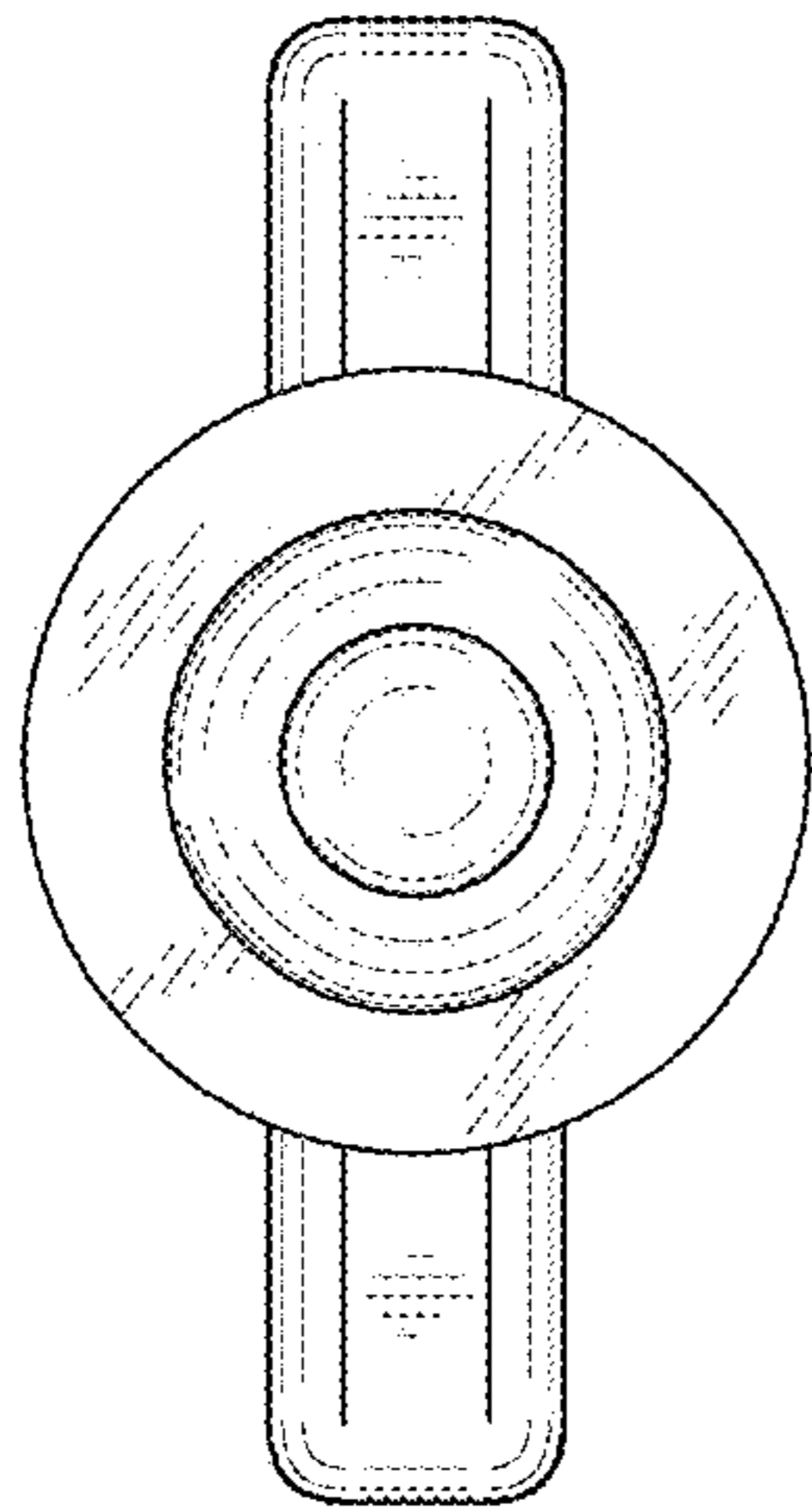


FIG. 1

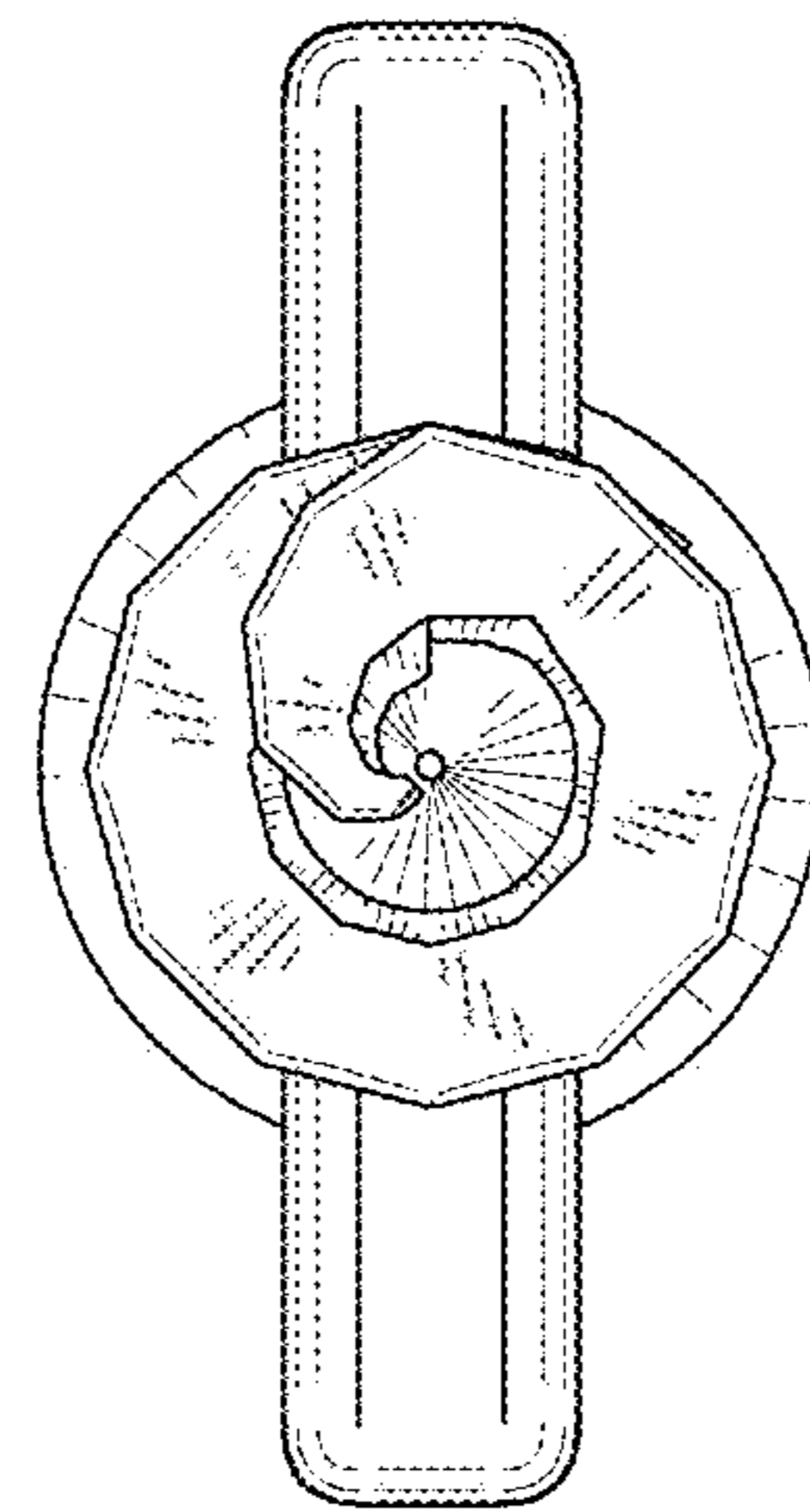


FIG. 2

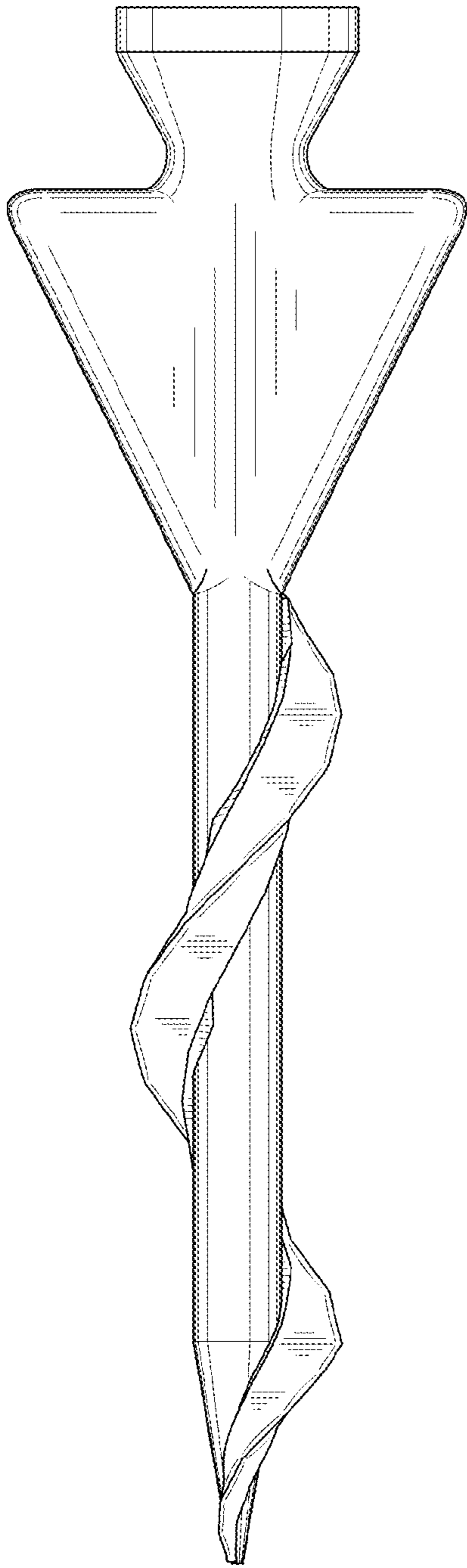


FIG. 3

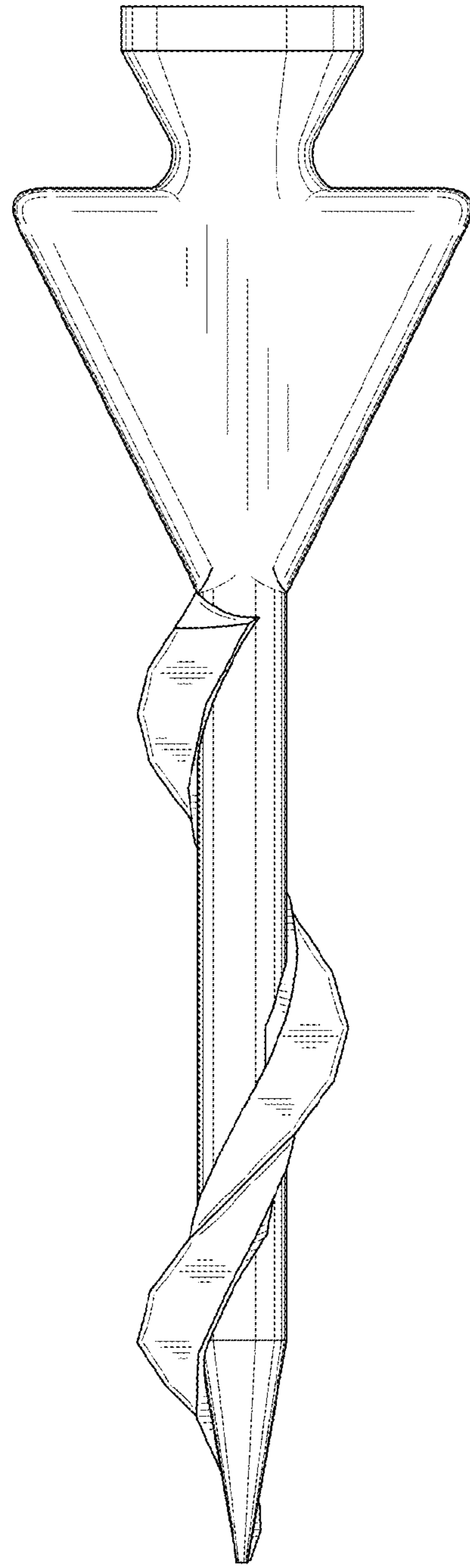


FIG. 4

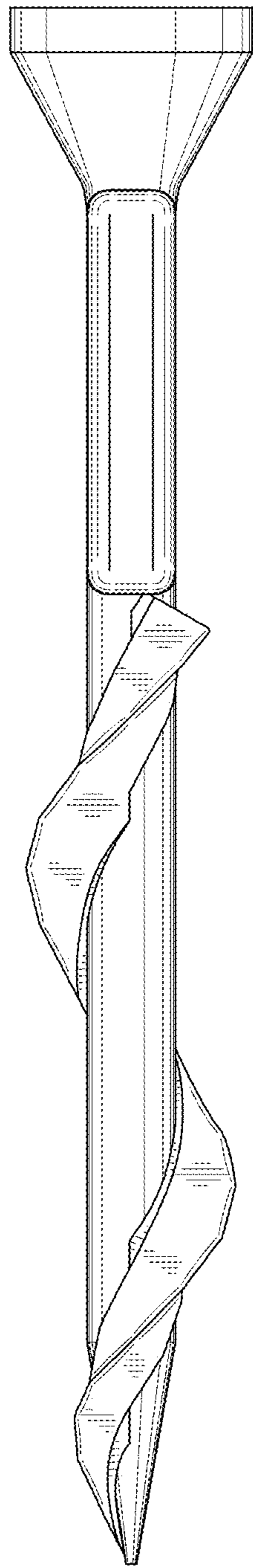


FIG. 5

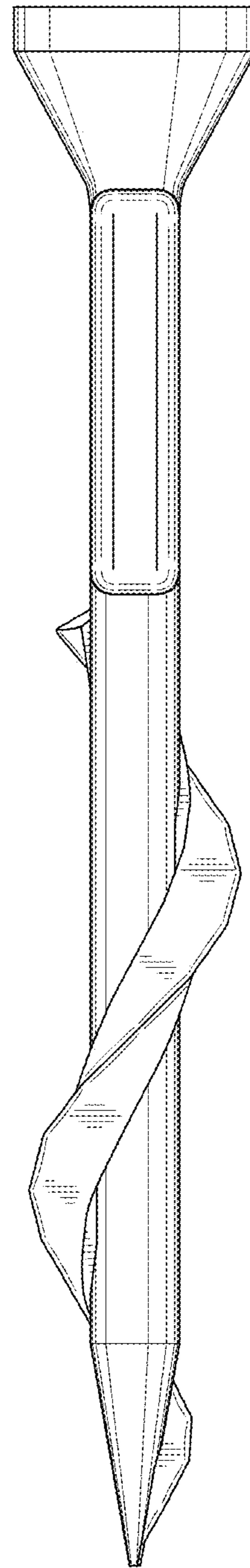


FIG. 6

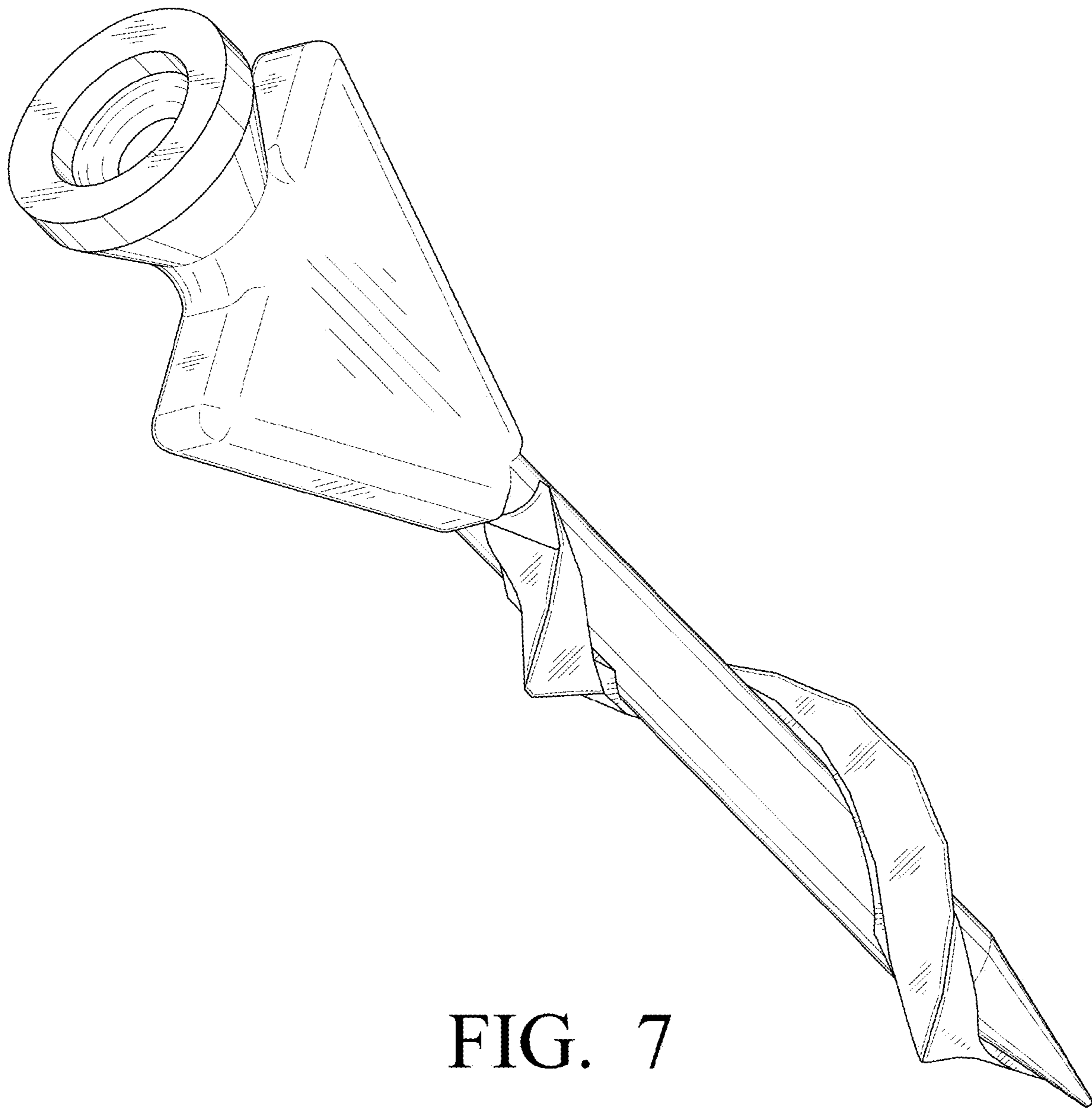


FIG. 7