



US00D887507S

(12) **United States Design Patent**
Jin

(10) **Patent No.:** **US D887,507 S**
(45) **Date of Patent:** **** Jun. 16, 2020**

(54) **CORD HOOK**

(71) Applicant: **Qiuwang Jin**, Shenzhen (CN)

(72) Inventor: **Qiuwang Jin**, Shenzhen (CN)

(**) Term: **15 Years**

(21) Appl. No.: **29/715,645**

(22) Filed: **Dec. 3, 2019**

(51) **LOC (12) Cl.** **21-02**

(52) **U.S. Cl.**
USPC **D21/694**

(58) **Field of Classification Search**
USPC D21/797, 698, 662, 683; 482/23, 48,
482/139, 44, 105; 2/161.1, 162, 170,
2/917, 16, 20; D8/330, 303; D20/22;
D29/113, 120.1, 791, 797, 190, 117.1;
473/205; D24/190
CPC A63B 21/0552; A63B 21/0442; A63B
21/0557; A63B 21/4015; A63B 21/4025;
A63B 21/065; A63B 21/4035; A63B
21/4017; A63B 2209/10; A63B
2208/0204; A63B 21/4043; A63B
23/1209; A63B 21/4021

See application file for complete search history.

(56) **References Cited**

U.S. PATENT DOCUMENTS

930,768 A * 8/1909 Kelly A61B 17/42
601/45

3,739,772 A * 6/1973 Ennis A61F 13/041
602/4

4,090,706 A * 5/1978 Reda A63B 21/0004
482/122

D262,816 S 1/1982 Radocy

4,685,671 A * 8/1987 Hagerman A63B 21/04
482/124

4,815,731 A * 3/1989 Suarez A63B 21/055
482/124

4,948,117 A * 8/1990 Burke A63B 69/12
482/129

5,258,017 A * 11/1993 Myers A61H 1/0218
482/131

5,653,668 A * 8/1997 Wilkinson A63B 21/0004
482/121

5,704,856 A * 1/1998 Morse A63B 21/0004
473/212

5,813,954 A * 9/1998 Wilkinson A63B 21/0004
482/124

D410,330 S * 6/1999 Klein D3/221

6,036,625 A * 3/2000 Woodruff A63B 21/0552
482/121

D454,992 S * 3/2002 Yantz A01K 27/00
D30/153

D504,486 S 4/2005 Gallenson et al.

D562,670 S 2/2008 Rogers et al.

7,467,604 B1 * 12/2008 Werner A01K 27/00
119/770

D590,038 S * 4/2009 Jarosik D21/780

D605,284 S * 12/2009 Chestnut D24/110

(Continued)

Primary Examiner — Ryan Harvey

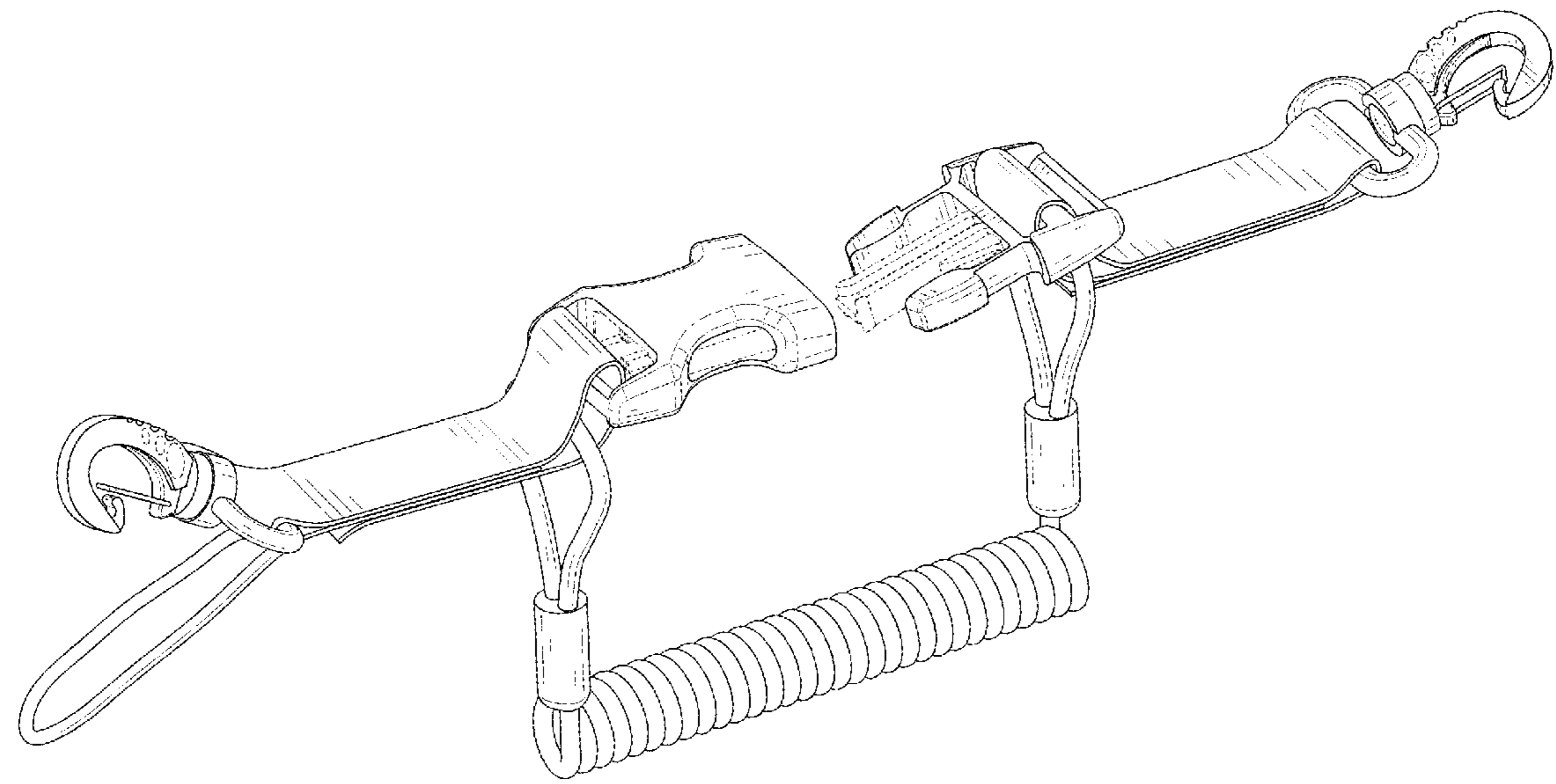
(57) **CLAIM**

The ornamental design for a cord hook, as shown and described.

DESCRIPTION

FIG. 1 is a perspective view of a cord hook showing my new design;
FIG. 2 is similar to FIG. 1, viewed from another aspect;
FIG. 3 is a front elevational view thereof;
FIG. 4 is a rear elevational view thereof;
FIG. 5 is a left side elevational view thereof;
FIG. 6 is a right side elevational view thereof;
FIG. 7 is a top plan view thereof; and,
FIG. 8 is a bottom plan view thereof.
The broken lines in the drawings depict portions of the cord hook that form no part of the claimed design.

1 Claim, 8 Drawing Sheets



(56)

References Cited

U.S. PATENT DOCUMENTS

D606,602 S *	12/2009	Marotta	D21/698	2007/0062012 A1 *	3/2007	Caison	A44B 11/263
7,749,141 B2 *	7/2010	Meisterling	A63B 21/0004					24/302
				482/121	2008/0039303 A1 *	2/2008	Wilcocks	A63B 21/0552
D644,280 S *	8/2011	Marotta	D21/662					482/124
D664,611 S *	7/2012	Pinskiy	D21/662	2008/0139369 A1 *	6/2008	Vigilia	A63B 21/0004
D664,612 S *	7/2012	Pinskiy	D21/662					482/124
D669,233 S *	10/2012	Ranstead	D30/153	2008/0154166 A1 *	6/2008	Beckwith	A61F 5/0113
8,303,473 B2 *	11/2012	Gutierrez	A63B 21/00					602/27
				482/121	2010/0317495 A1 *	12/2010	DiGiovanni	A63B 21/0552
D685,950 S *	7/2013	Sparkes	D29/101.1					482/129
D694,414 S *	11/2013	Sparkes	D24/190	2011/0092347 A1 *	4/2011	Kassel	A63B 21/0552
D699,406 S *	2/2014	Stolte	D30/153					482/121
D726,841 S *	4/2015	Wright	D21/662	2011/0224055 A1 *	9/2011	Kassel	A63B 21/0552
9,272,178 B2 *	3/2016	Pinder	A63B 21/0407					482/121
9,427,622 B2 *	8/2016	Thrasher-Rudd	A63B 21/00061	2012/0220435 A1 *	8/2012	Sweeney	A63B 21/0023
				D21/780					482/121
D794,148 S *	8/2017	Barlow-Gamble	D21/694	2012/0232449 A1 *	9/2012	Arnstein	A61H 1/0266
D850,546 S *	6/2019	Reese	D21/694					602/16
10,471,296 B2 *	11/2019	Burkinshaw	A63B 21/4009	2012/0258844 A1 *	10/2012	Petrone	A63B 23/04
D868,454 S *	12/2019	Moreau	D3/215					482/124
D872,200 S *	1/2020	Antezana	D21/692	2013/0303344 A1 *	11/2013	Rasnake	A63B 21/02
2004/0204302 A1 *	10/2004	Flynn	A63B 21/0004					482/124
				482/124	2014/0057743 A1 *	2/2014	Leggett	A63B 69/0002
2005/0085350 A1 *	4/2005	Shen	A63B 23/00					473/458
				482/91	2014/0171276 A1 *	6/2014	Strachan	A63B 21/0557
2005/0277527 A1 *	12/2005	Gregerson	A61H 1/024					482/124
				482/124	2015/0005144 A1 *	1/2015	Abdella	A63B 21/0442
2006/0183609 A1 *	8/2006	Flynn	A63B 21/0004					482/129
				482/124	2018/0178049 A1 *	6/2018	Marquez	A63B 21/0442
					2019/0201732 A1 *	7/2019	Chang	A63B 21/00065

* cited by examiner

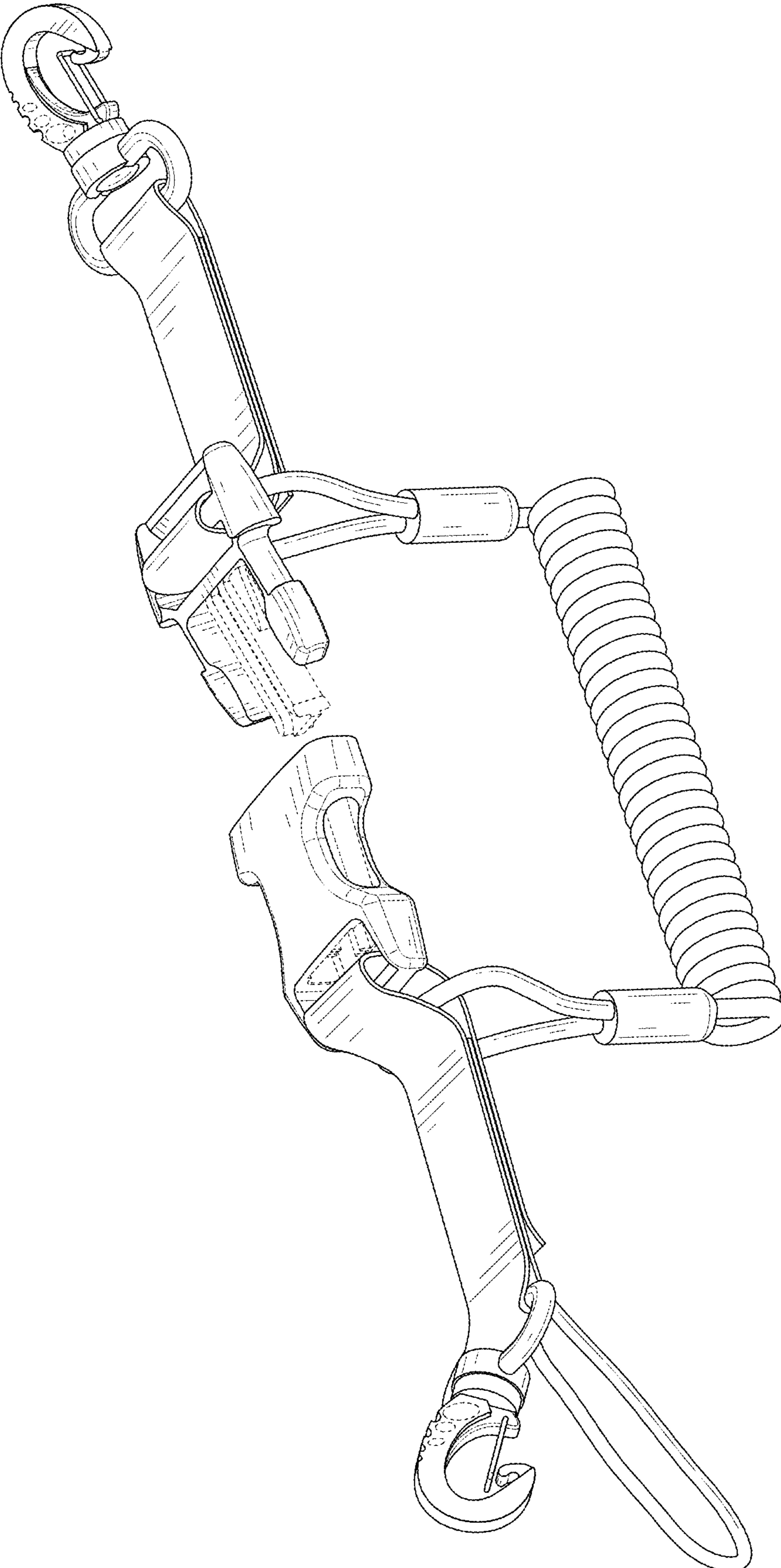


FIG. 1

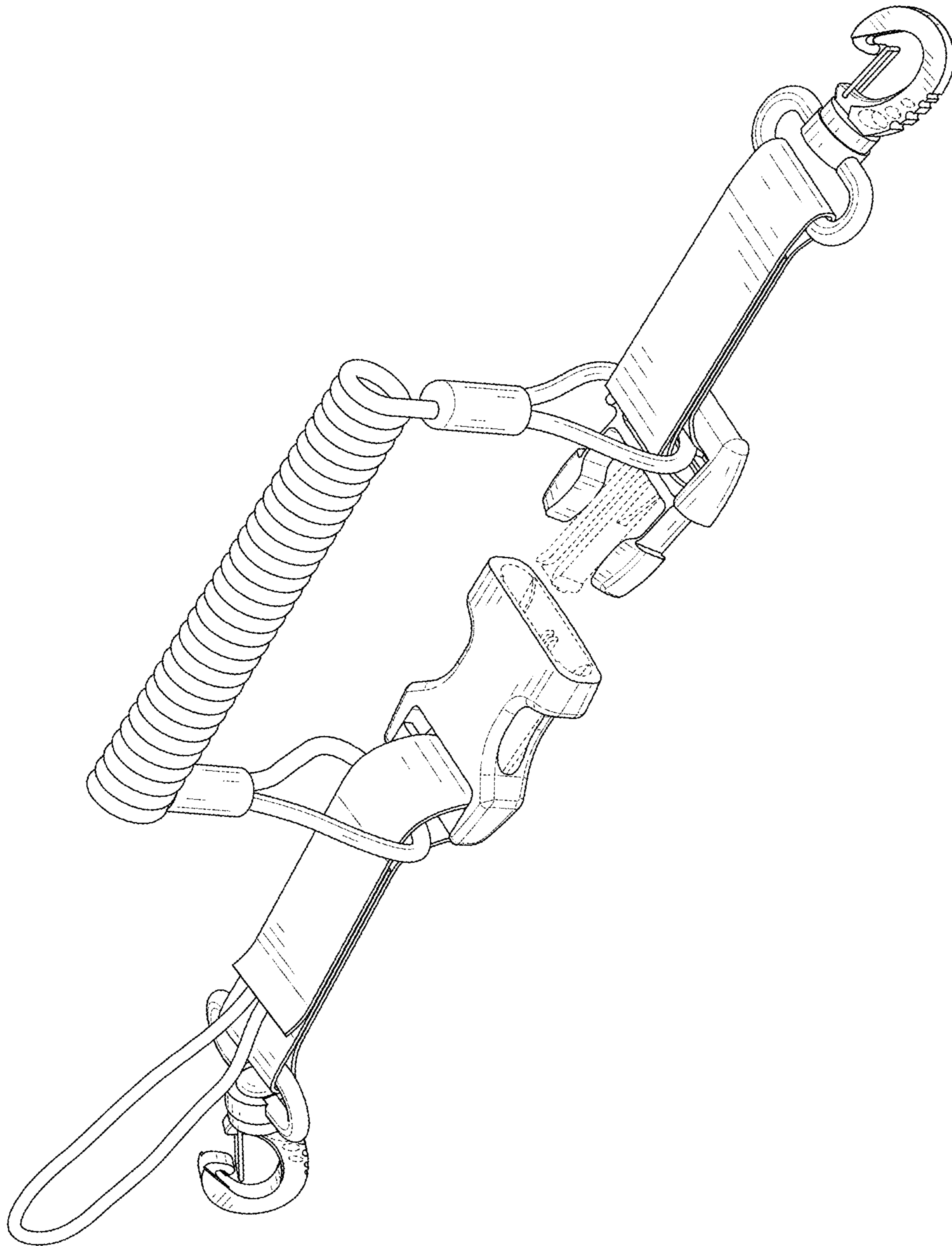


FIG. 2

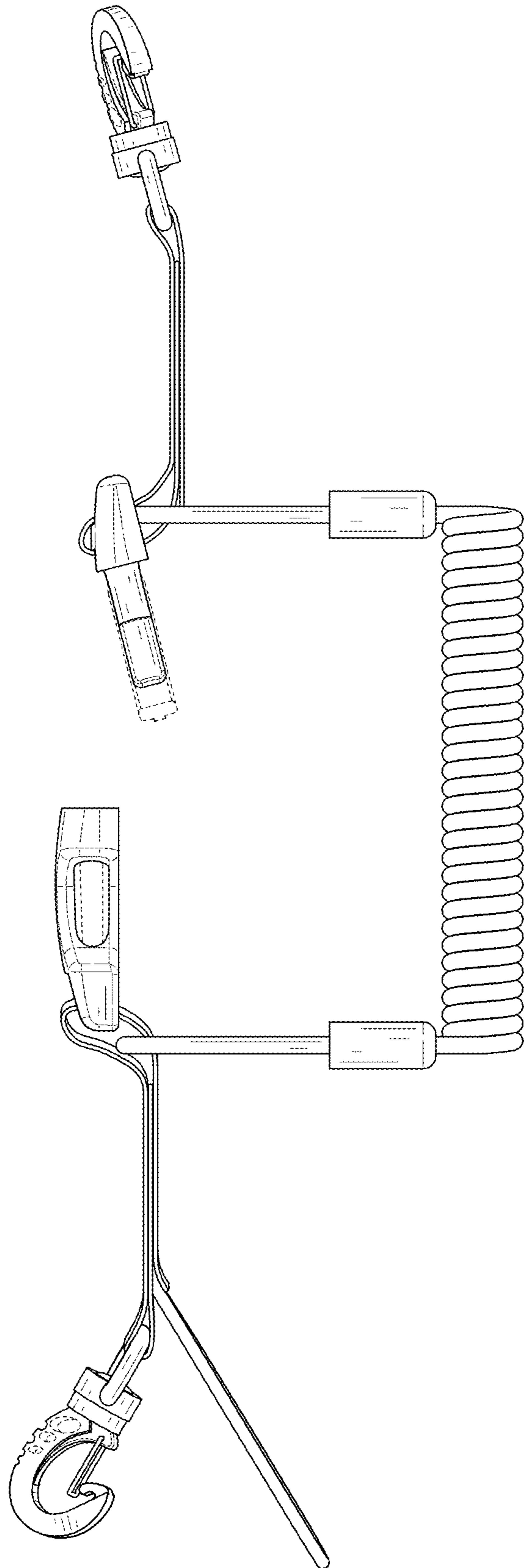


FIG. 3

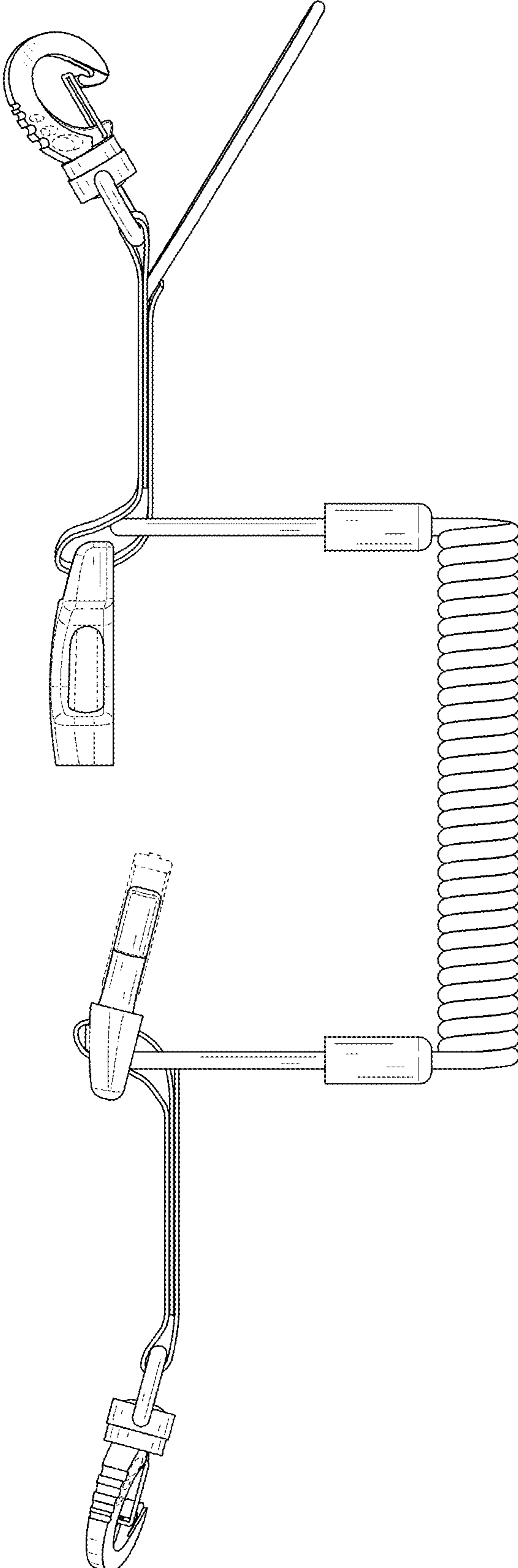


FIG. 4

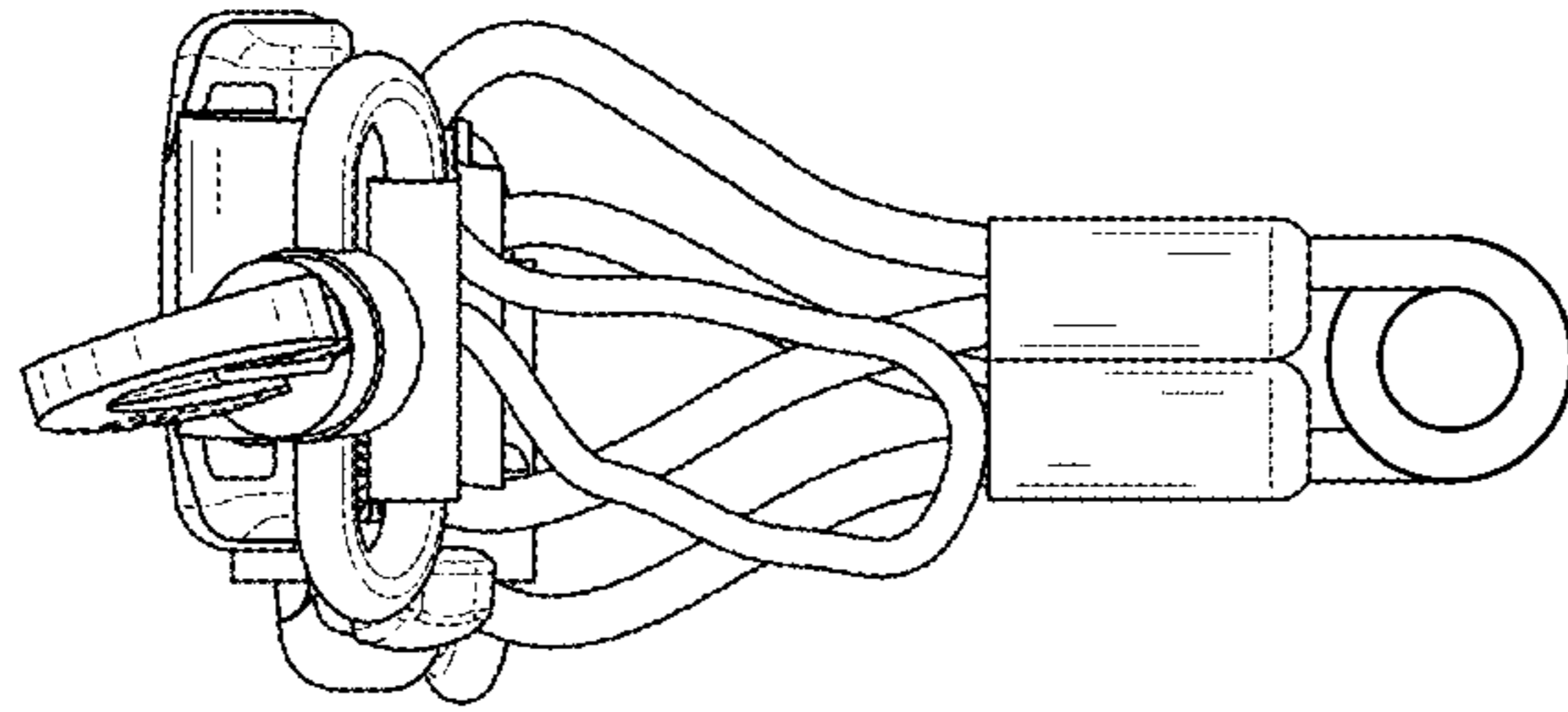


FIG. 5

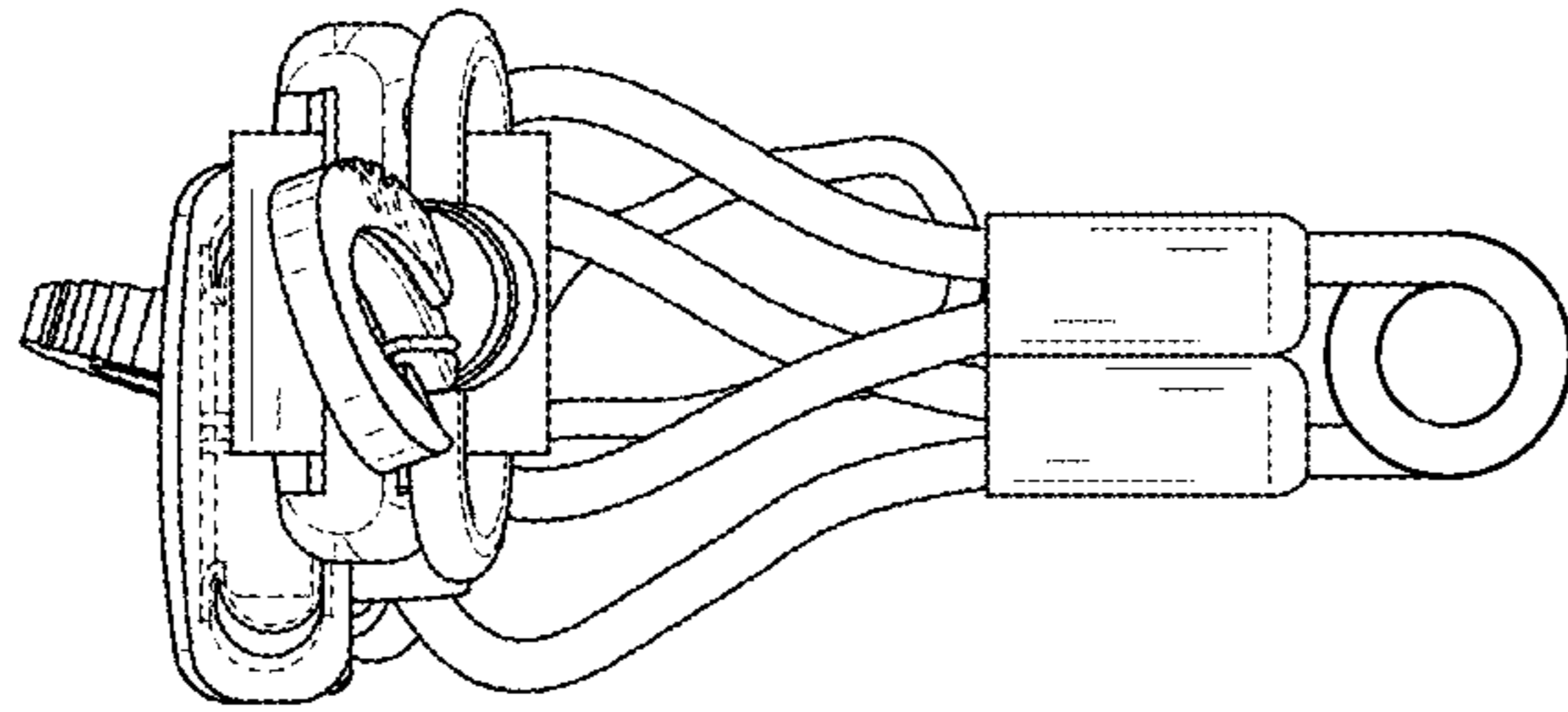


FIG. 6

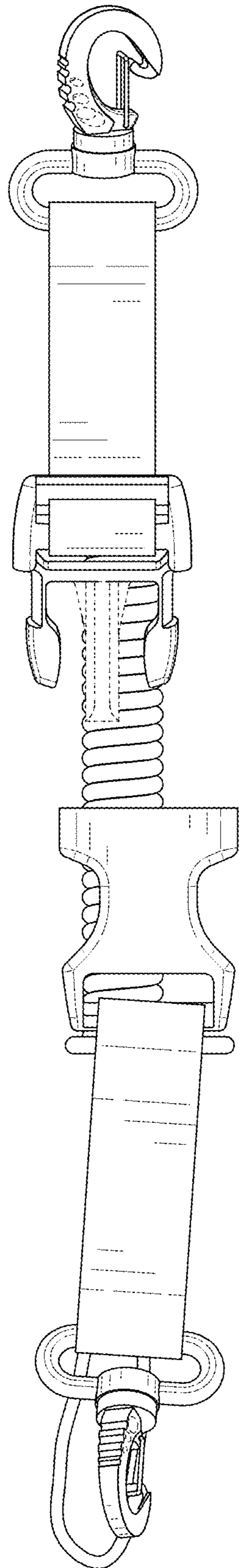


FIG. 7

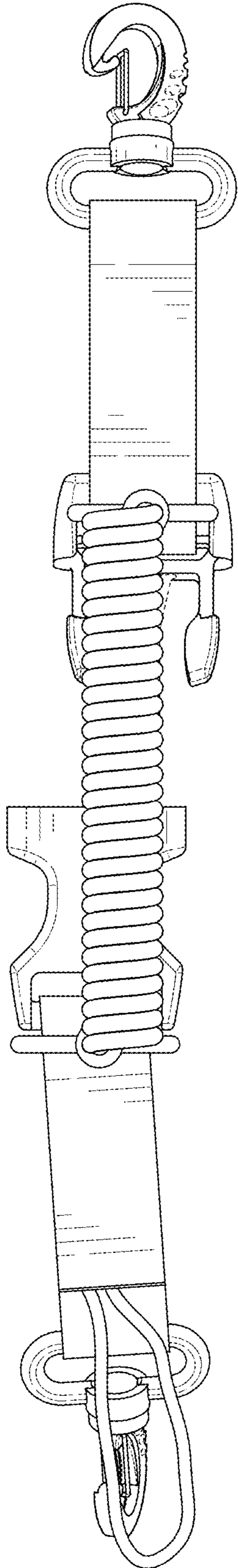


FIG. 8