



US00D887506S

(12) **United States Design Patent**
Chen

(10) **Patent No.:** **US D887,506 S**

(45) **Date of Patent:** **** Jun. 16, 2020**

(54) **GYMNASIUM MAT**
(71) Applicant: **Yong Chen**, Shenzhen (CN)
(72) Inventor: **Yong Chen**, Shenzhen (CN)
(**) Term: **15 Years**
(21) Appl. No.: **29/674,192**

D701,062 S * 3/2014 Kinsella D6/582
D717,075 S * 11/2014 Robo D6/592
D770,201 S * 11/2016 Dieckhaus D6/582
D782,585 S * 3/2017 Bertoncello D21/686
D785,105 S * 4/2017 Armitage D21/686
D791,501 S * 7/2017 Nguyen D21/686
D792,532 S * 7/2017 Olson D21/686
D798,397 S * 9/2017 Bellevue D21/686
D805,811 S * 12/2017 Armitage D6/582

(Continued)

(22) Filed: **Dec. 20, 2018**
(51) **LOC (12) Cl.** **21-02**
(52) **U.S. Cl.**
USPC **D21/686**
(58) **Field of Classification Search**
USPC 434/258; 482/23, 84, 142, 148; 5/630,
5/632, 731, 420; D6/315, 582, 583, 588,
D6/594; D21/300, 365, 366, 595, 596,
D21/662, 686, 792, 797, 798; D19/62,
D19/64; D24/183
CPC A63B 21/4037; A63B 6/00; A47L 23/266;
B29C 39/003
See application file for complete search history.

OTHER PUBLICATIONS

Amazon, "BATURU Inflatable Air Track Gymnastic Airtrack", Dec. 27, 2019. https://www.amazon.com/BATURU-Inflatable-Gymnastic-Cheerleading-Taekwondo/dp/B07Q5X47DP/ref=cm_cr_arp_d_product_top?ie=UTF8 (Year: 2019).*

Primary Examiner — Cynthia Ramirez
Assistant Examiner — Michael A Maharajh
(74) *Attorney, Agent, or Firm* — Law Offices of Steven W. Weinrieb

(56) **References Cited**

U.S. PATENT DOCUMENTS

D291,586 S * 8/1987 Bourret D21/686
5,010,610 A * 4/1991 Ackley A47C 17/64
5/420
D408,479 S * 4/1999 Fitzpatrick D21/687
6,387,013 B1 * 5/2002 Marquez A63B 6/00
D6/582
D544,281 S * 6/2007 Appleby D6/582
D554,208 S * 10/2007 Palaszek D21/662
D599,149 S * 9/2009 White D6/582
D619,844 S * 7/2010 Johnson D6/582
D624,615 S * 9/2010 Kusmierz D21/686
D631,276 S * 1/2011 White D6/582
D632,119 S * 2/2011 Service D21/662
8,096,923 B2 * 1/2012 White A63B 21/4037
482/148
D658,420 S * 5/2012 Liang D6/592

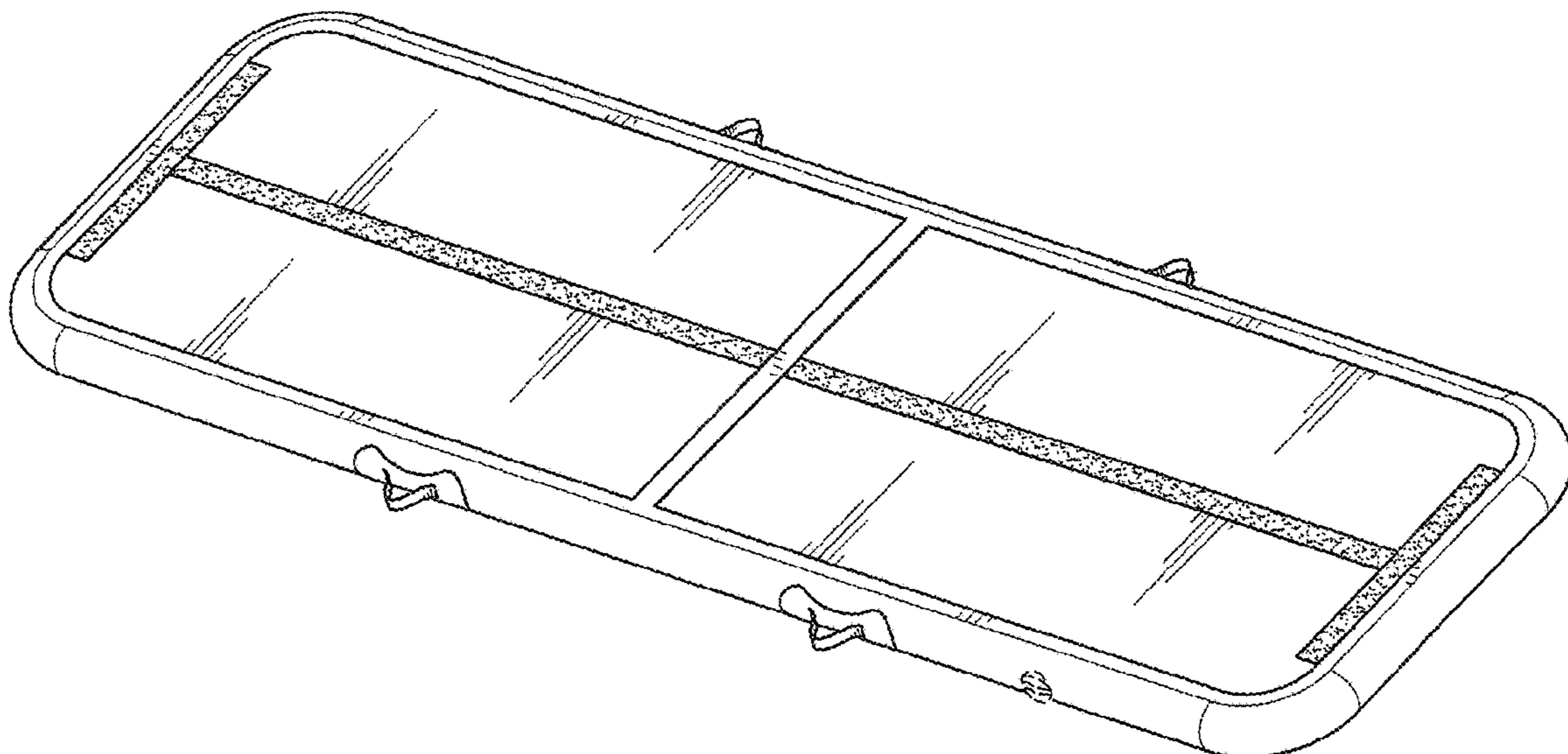
(57) **CLAIM**

The ornamental design for a gymnasium mat, as shown and described.

DESCRIPTION

FIG. 1 is a front, right side, top perspective view of the gymnasium mat showing my new design;
FIG. 2 is a rear, left side, top perspective view thereof;
FIG. 3 is a top plan view thereof;
FIG. 4 is a bottom plan view thereof;
FIG. 5 is a left side elevational view thereof;
FIG. 6 is a right side elevational view thereof;
FIG. 7 is a front elevational thereof; and,
FIG. 8 is a rear elevational view thereof.
The broken lines in the drawings are for the purposes of illustrating portions of the gymnasium mat, which form no part of the claimed design.

1 Claim, 8 Drawing Sheets



(56)

References Cited

U.S. PATENT DOCUMENTS

D806,190 S * 12/2017 Failing D21/688
D831,133 S * 10/2018 Goldmon D21/686
D831,757 S * 10/2018 Simon D21/662
D850,151 S * 6/2019 Reardon D6/583
D855,718 S * 8/2019 Hsu D21/671
D856,703 S * 8/2019 Xiang D6/582
D856,704 S * 8/2019 Fishbein D6/582
2004/0014571 A1 * 1/2004 Haynes A63B 21/0004
482/142
2007/0066467 A1 * 3/2007 Edwards A63B 21/4037
482/148
2007/0173379 A1 * 7/2007 Harinishi A63B 6/00
482/23
2007/0225124 A1 * 9/2007 Cabados A63B 6/00
482/23
2009/0011911 A1 * 1/2009 Lee A63B 6/00
482/142
2009/0197748 A1 * 8/2009 Smith A63B 21/0004
482/146
2010/0197471 A1 * 8/2010 Hayes A63B 6/00
482/140
2012/0122636 A1 * 5/2012 Shurtleff A63B 21/4037
482/142
2013/0217545 A1 * 8/2013 Orenstein A63B 23/0458
482/52
2013/0324382 A1 * 12/2013 Wilson A61H 7/007
482/142
2013/0340164 A1 * 12/2013 Brensinger A47G 9/062
5/420
2015/0321051 A1 * 11/2015 Olson A63B 26/003
482/139
2016/0199689 A1 * 7/2016 Irwin A63B 23/0458
482/142
2017/0172331 A1 * 6/2017 Publicover A63B 5/11

* cited by examiner

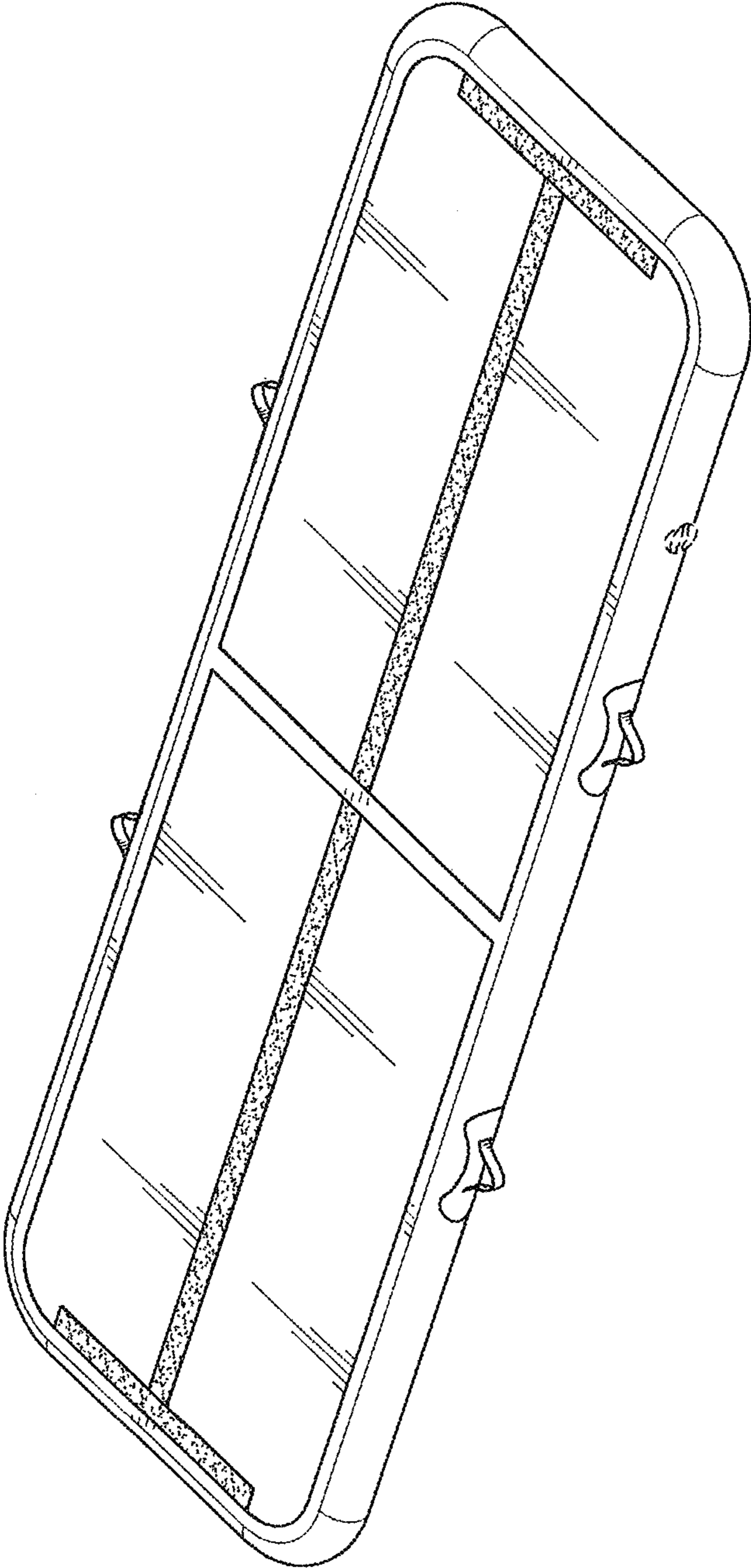


FIG. 1

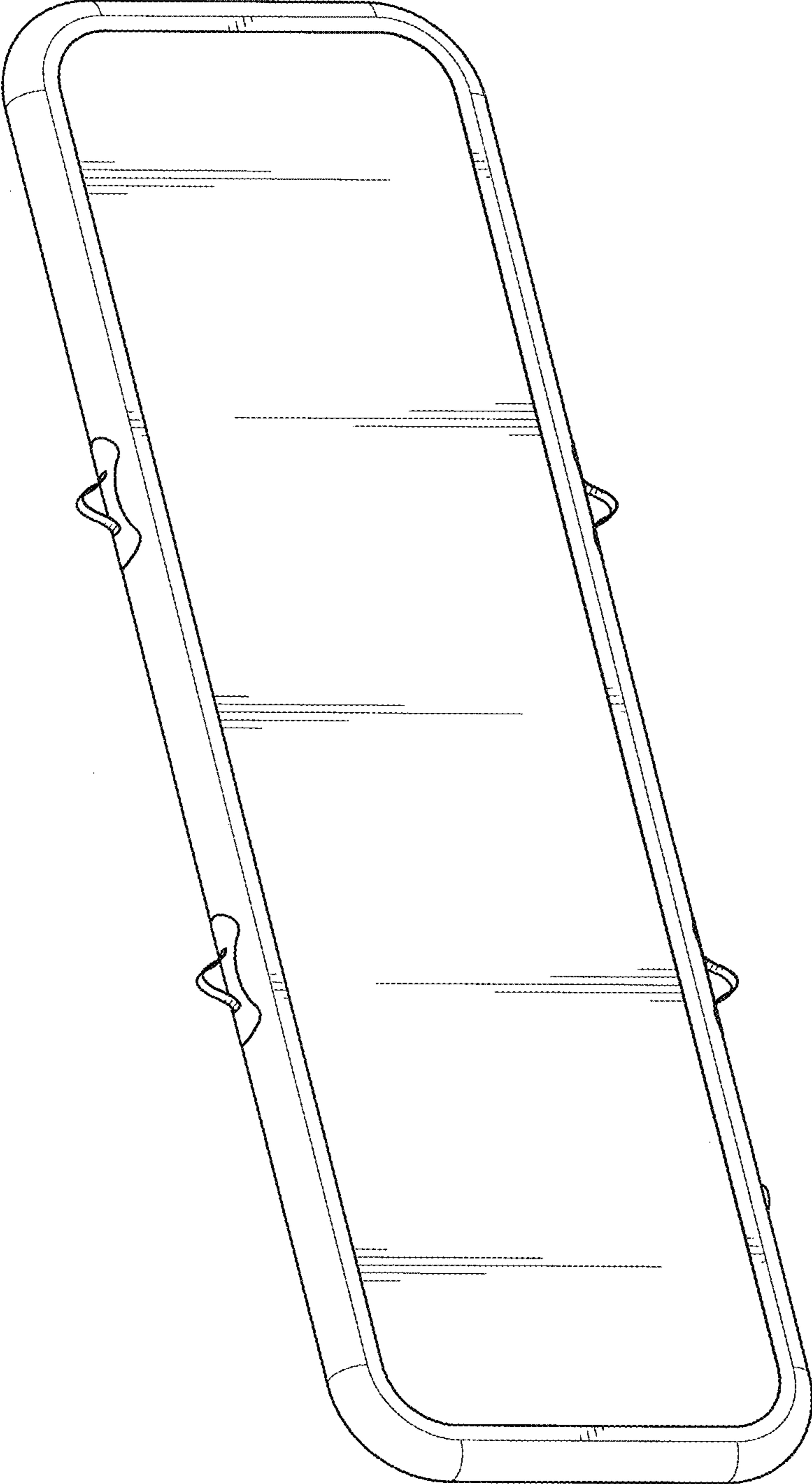


FIG. 2

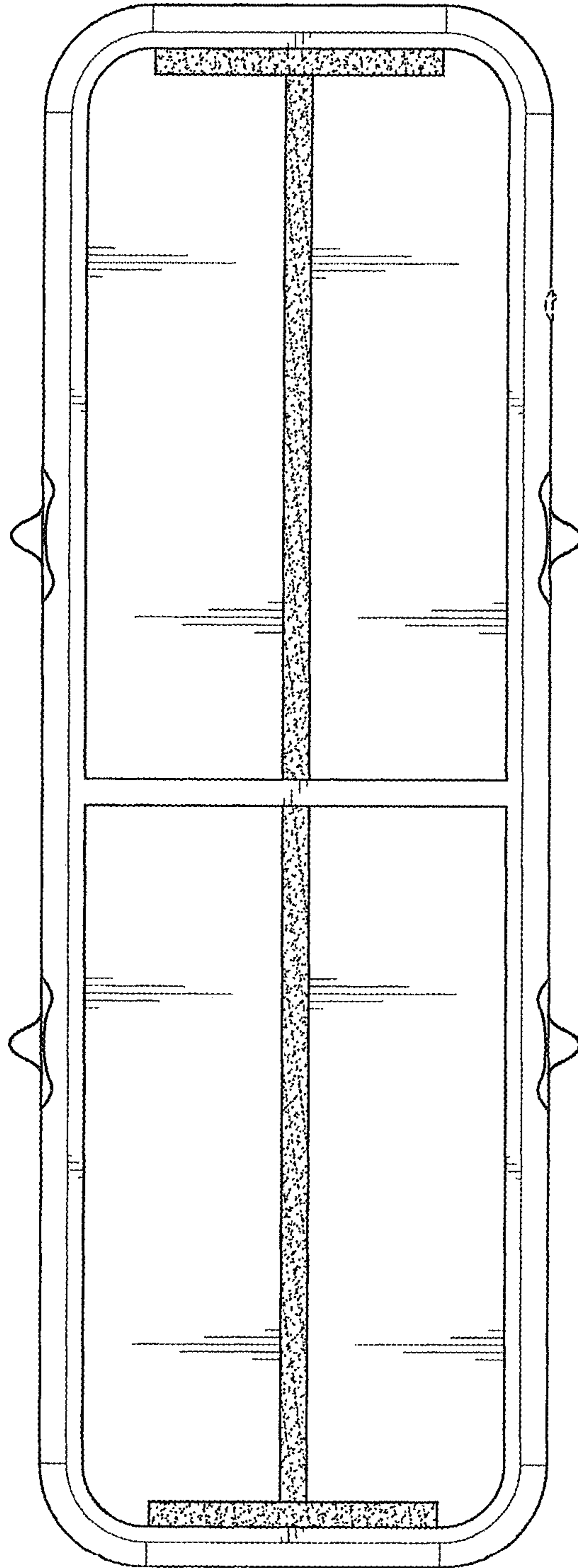


FIG. 3

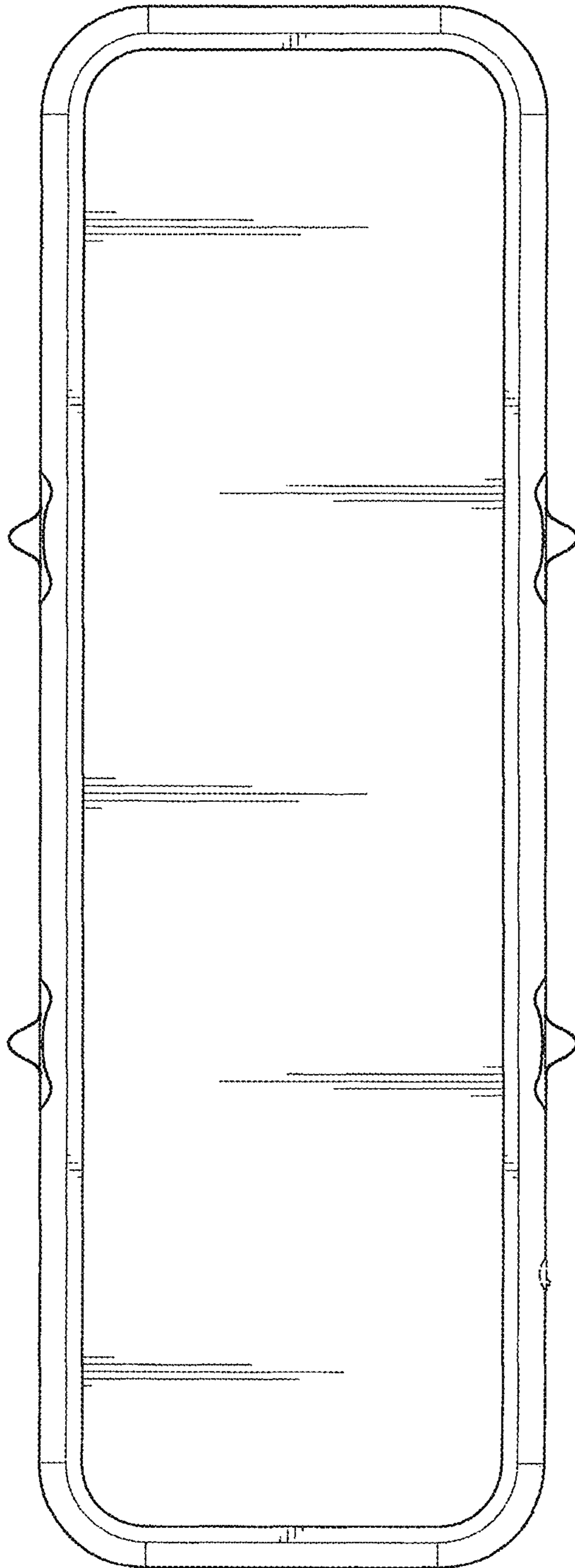


FIG. 4



FIG. 5

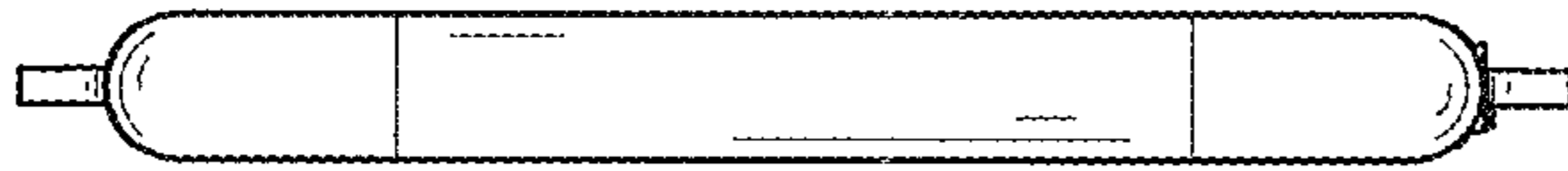


FIG. 6



FIG. 7



FIG. 8