



US00D887505S

(12) **United States Design Patent** (10) **Patent No.:** **US D887,505 S**
Tumpson (45) **Date of Patent:** **** Jun. 16, 2020**

(54) **COMPARTMENTAL YOGA BLOCK**
(71) Applicant: **One Whirl LLC**, Pittsburgh, PA (US)
(72) Inventor: **Christine McMahon Tumpson**, Pittsburgh, PA (US)
(73) Assignee: **One Whirl LLC**, Pittsburgh, PA (US)
(**) Term: **15 Years**

(21) Appl. No.: **29/630,060**
(22) Filed: **Dec. 19, 2017**
(51) **LOC (12) Cl.** **21-02**
(52) **U.S. Cl.**
USPC **D21/686**
(58) **Field of Classification Search**
USPC D6/601, 691.4, 375, 334, 361, 349, 596,
D6/588, 587, 585, 584, 583, 582, 367,
D6/604, 597, 691.3, 691.8, 374;
D21/686, 687, 662, 797, 688, 484, 671,
D21/690, 792, 780, 698, 500, 501, 499;
(Continued)

(56) **References Cited**
U.S. PATENT DOCUMENTS
D315,183 S * 3/1991 Meyer D21/501
5,029,723 A * 7/1991 Lo B65D 43/0222
220/231
(Continued)

OTHER PUBLICATIONS
Articles by Kompritas dated no date given. Found online [Jan. 24, 2020] <https://kompritas.com/product/gr-treat-168-cm-nuevo-diseno-de-bola-de-masaje-y-bloque-de-yoga-epp-pelota-de-yoga-para-pilates-ejercicios-de-gimnasio-masaje-de-fisiomasajes/>.
(Continued)

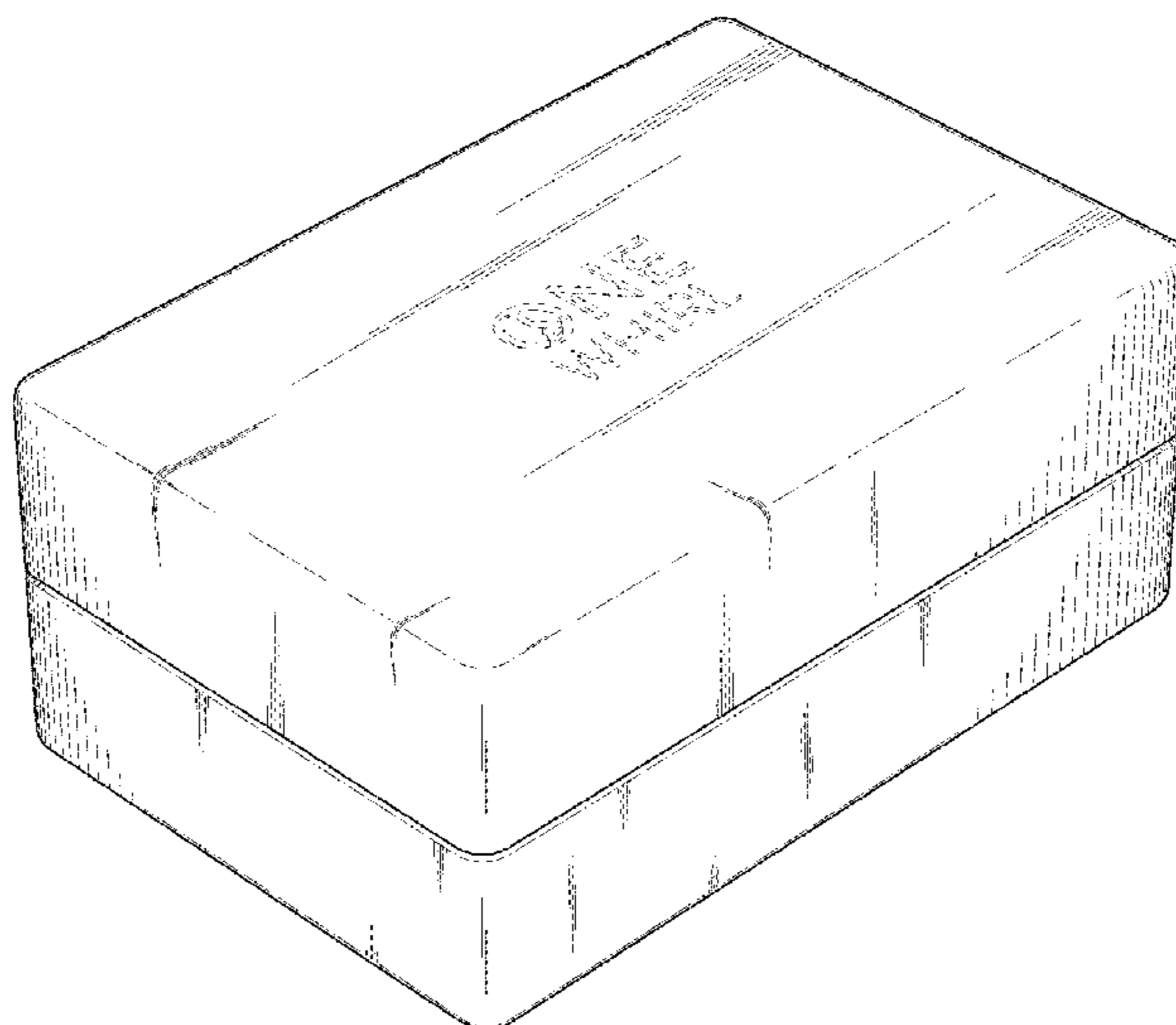
Primary Examiner — Ryan Harvey

(74) *Attorney, Agent, or Firm* — The Webb Law Firm

(57) **CLAIM**
The ornamental design for a compartmental yoga block, as shown and described.

DESCRIPTION
FIG. 1 is a corner and top-down view of a compartmental yoga block with top half and bottom half joined in accordance with the present invention;
FIG. 2 is a side elevation view of a compartmental yoga block with top half and bottom half joined in accordance with the present invention;
FIG. 3 is a front elevation view of a compartmental yoga block with top half and bottom half joined in accordance with the present invention;
FIG. 4 is a top view of a compartmental yoga block with top half and bottom half joined in accordance with the present invention;
FIG. 5 is a bottom view of a compartmental yoga block with top half and bottom half joined in accordance with the present invention;
FIG. 6 is a corner and top-down view of a compartmental yoga block with top half and bottom half separated in accordance with the present invention;
FIG. 7 is a side elevation view of a compartmental yoga block with top half and bottom half separated in accordance with the present invention;
FIG. 8 is a front elevation view of a compartmental yoga block with top half and bottom half separated in accordance with the present invention;
FIG. 9 is a corner and top-down view of a bottom half of a compartmental yoga block in accordance with the present invention; and,
FIG. 10 is a corner and bottom-up view of a top half of a compartmental yoga block in accordance with the present invention.
The broken line showing of portions of the compartmental yoga block depicts environment and forms no part of the claim.

1 Claim, 10 Drawing Sheets



(58) **Field of Classification Search**

USPC D24/190, 191, 192, 183, 186, 212, 214,
 D24/211, 200; 432/140; 482/141, 142,
 482/121, 122, 140, 23, 15, 127, 139, 35,
 482/130, 148, 106; D12/410, 203;
 D30/160, 158; D25/118, 113, 114;
 52/596, 677, 431, 603, 604, 605, 632,
 52/630; D9/432, 422, 576, 734; 5/731,
 5/709, 656, 655, 640, 637, 632, 630, 420,
 5/417
 CPC ... A63B 21/4037; A63B 6/00; A63B 2210/50;
 A63B 23/0211; A63B 21/00047; A63B
 2023/006; A47G 27/0237; A47G 27/0231;
 B32B 2471/04

See application file for complete search history.

(56) **References Cited**

U.S. PATENT DOCUMENTS

D389,639 S * 1/1998 Priebe D3/203.8
 7,318,794 B2 1/2008 Davies
 D565,131 S * 3/2008 Decker D21/686
 D594,512 S * 6/2009 Richards D21/484
 D686,491 S * 7/2013 Kuo D9/432
 D691,222 S * 10/2013 Sterios D21/686
 D695,857 S * 12/2013 Sterios D21/686
 D701,582 S * 3/2014 Sterios D21/686
 D703,772 S * 4/2014 Sterios D21/688
 D707,312 S * 6/2014 Sterios D21/686
 D733,230 S * 6/2015 Mallory D21/686
 D738,721 S * 9/2015 Song D9/432
 D740,378 S * 10/2015 Walsh-Gomez D21/662
 D756,561 S * 5/2016 Ghiotti D27/186

D764,910 S * 8/2016 Akana D9/432
 D778,156 S * 2/2017 Follett D9/432
 D795,654 S * 8/2017 Kolano D7/629
 D796,232 S * 9/2017 Brown D6/601
 D806,806 S * 1/2018 Chen D21/671
 D813,321 S * 3/2018 Zaki D21/662
 D815,617 S * 4/2018 Castellanos D14/210
 D815,700 S * 4/2018 Brodwick D21/686
 D837,313 S * 1/2019 Lyons D21/686
 10,350,449 B2 * 7/2019 Abrahams A63B 23/0458
 D868,577 S * 12/2019 Watson D9/420
 2004/0192523 A1 * 9/2004 Wu A63B 21/00047
 482/148
 2009/0023563 A1 * 1/2009 Liang A63B 71/0036
 482/106
 2009/0062093 A1 * 3/2009 Clark A63B 21/00047
 482/148
 2010/0240509 A1 * 9/2010 Chen A63B 21/00047
 482/148
 2012/0329623 A1 * 12/2012 Ramirez A63B 21/00047
 482/139
 2013/0190151 A1 * 7/2013 Scholder A63B 21/4039
 482/142
 2013/0274078 A1 * 10/2013 Andrews A63B 23/1227
 482/141
 2014/0087930 A1 * 3/2014 Burns A63B 71/0036
 482/142
 2015/0258363 A1 9/2015 Kampinski

OTHER PUBLICATIONS

New by Aliexpress dated Nov. 18, 2019. Found online [Jan. 24, 2020] <https://tinyurl.com/tegg8j4>.*

* cited by examiner

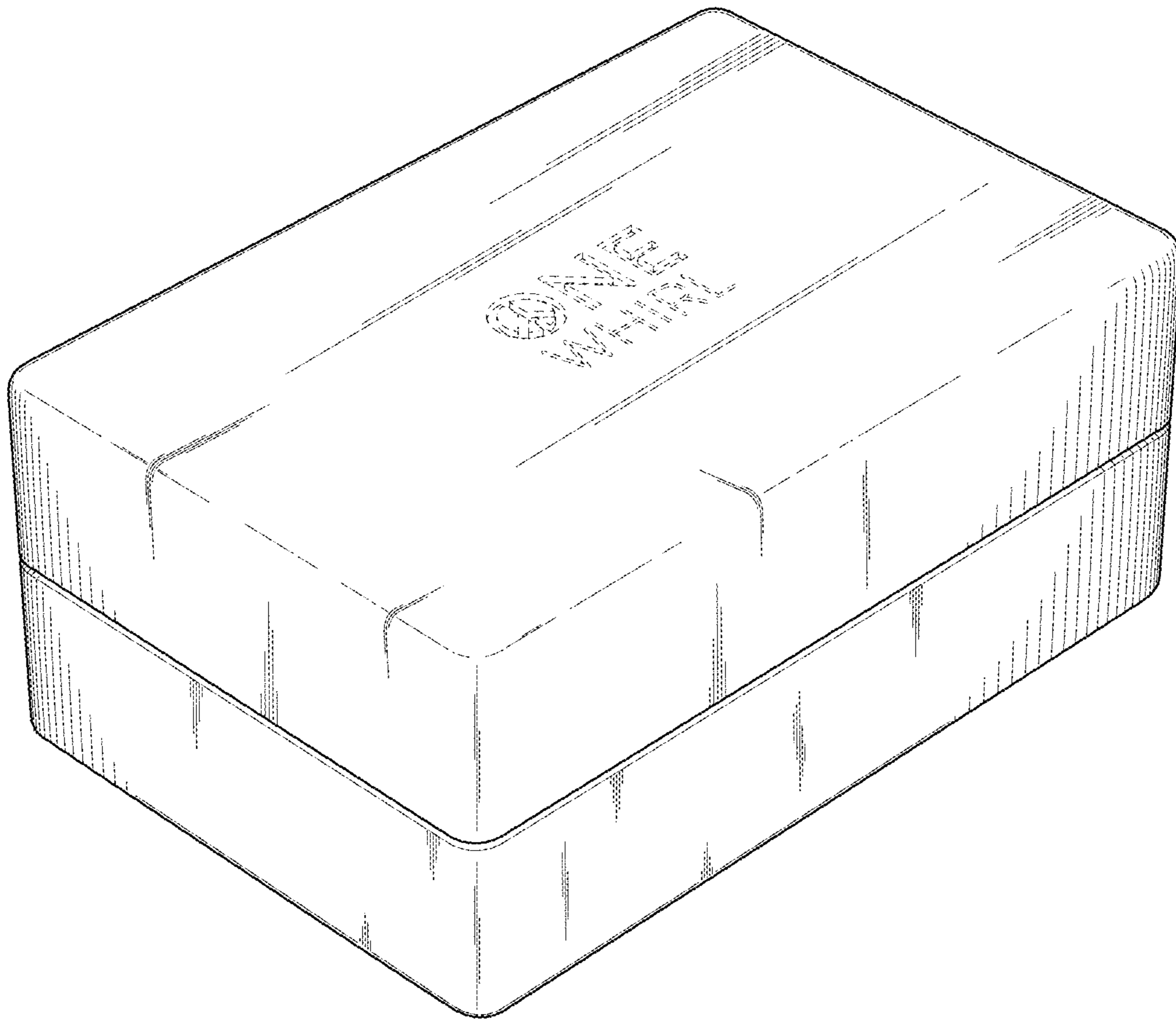


FIG. 1

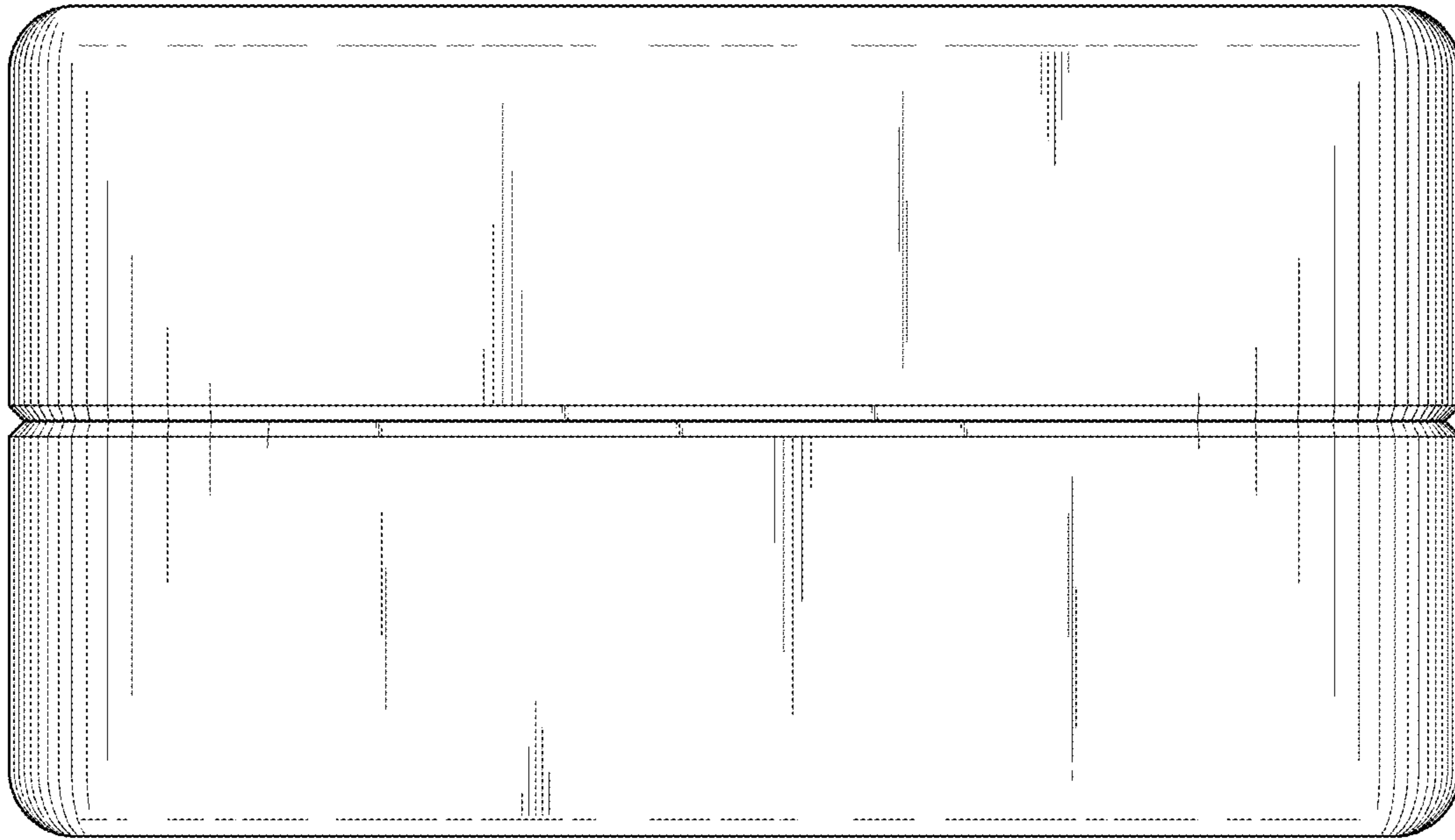


FIG. 2

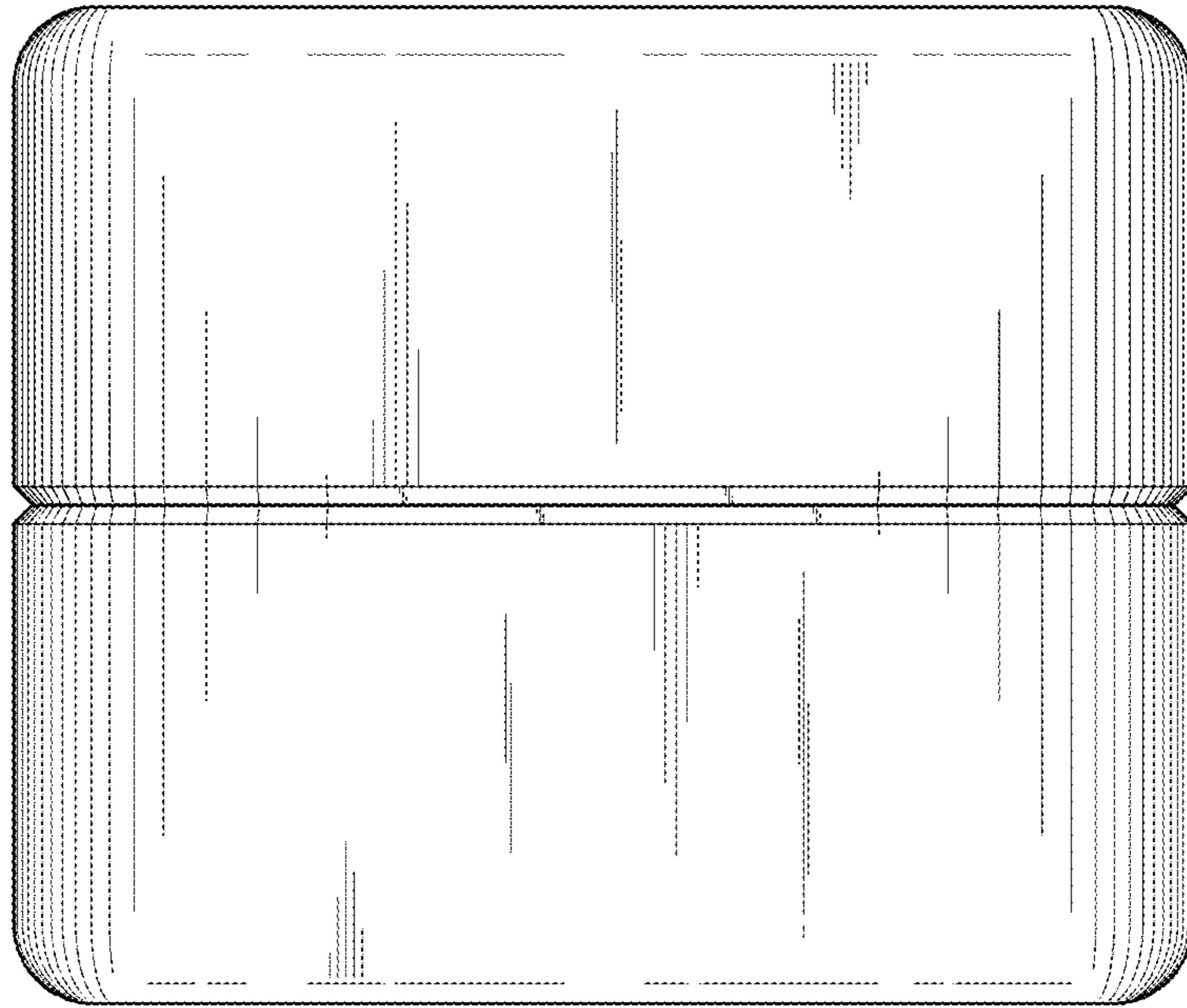


FIG. 3

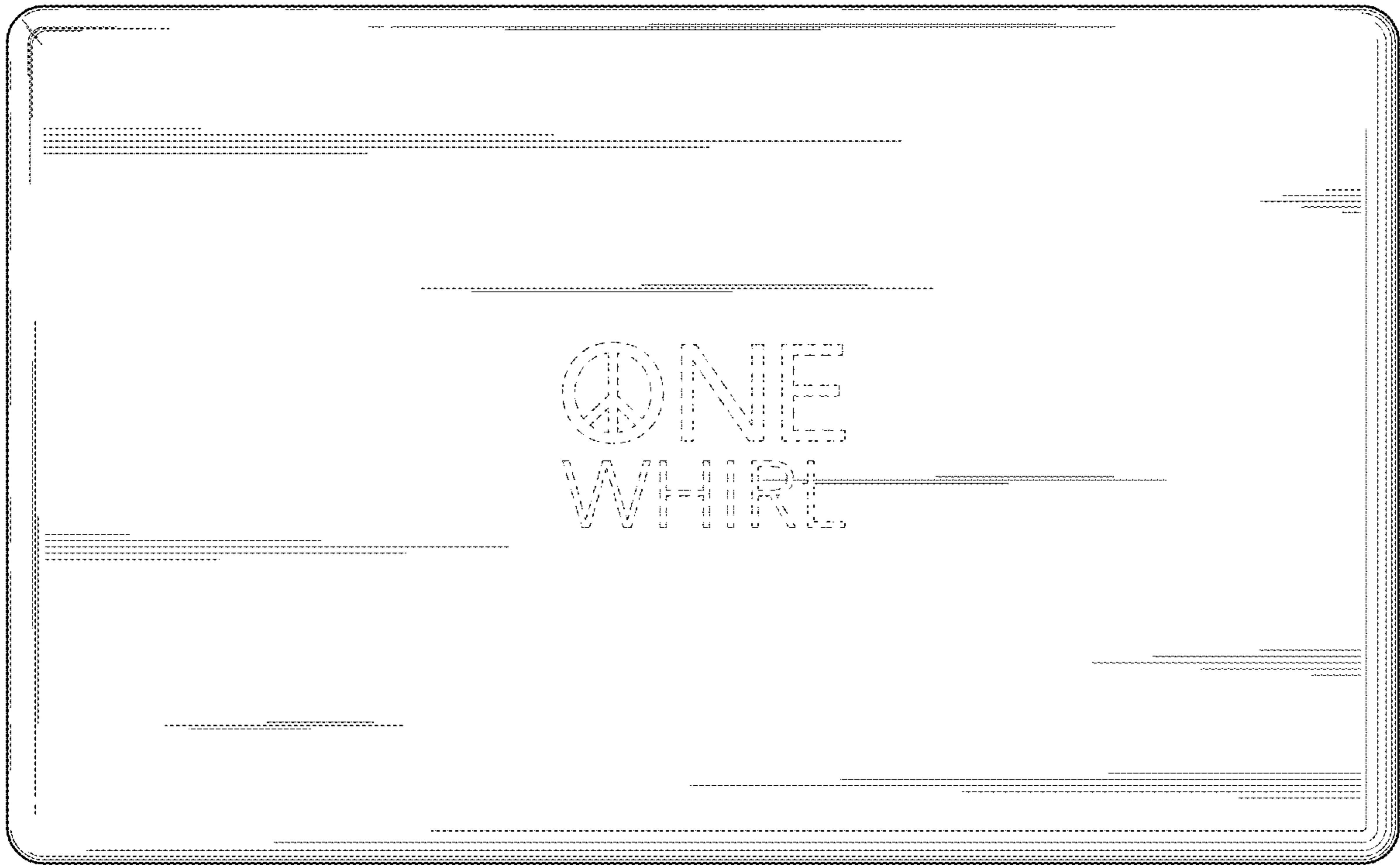


FIG. 4

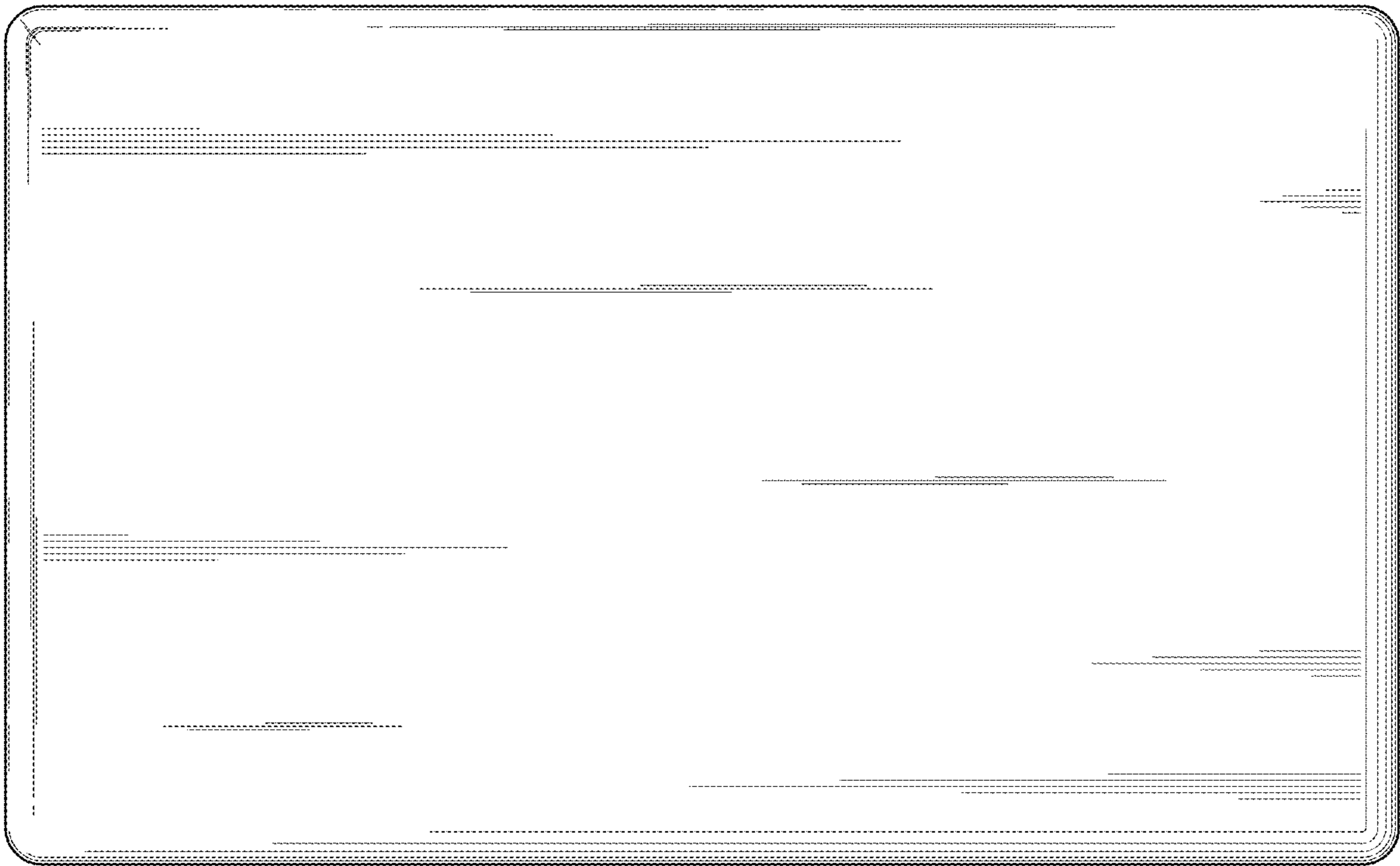


FIG. 5

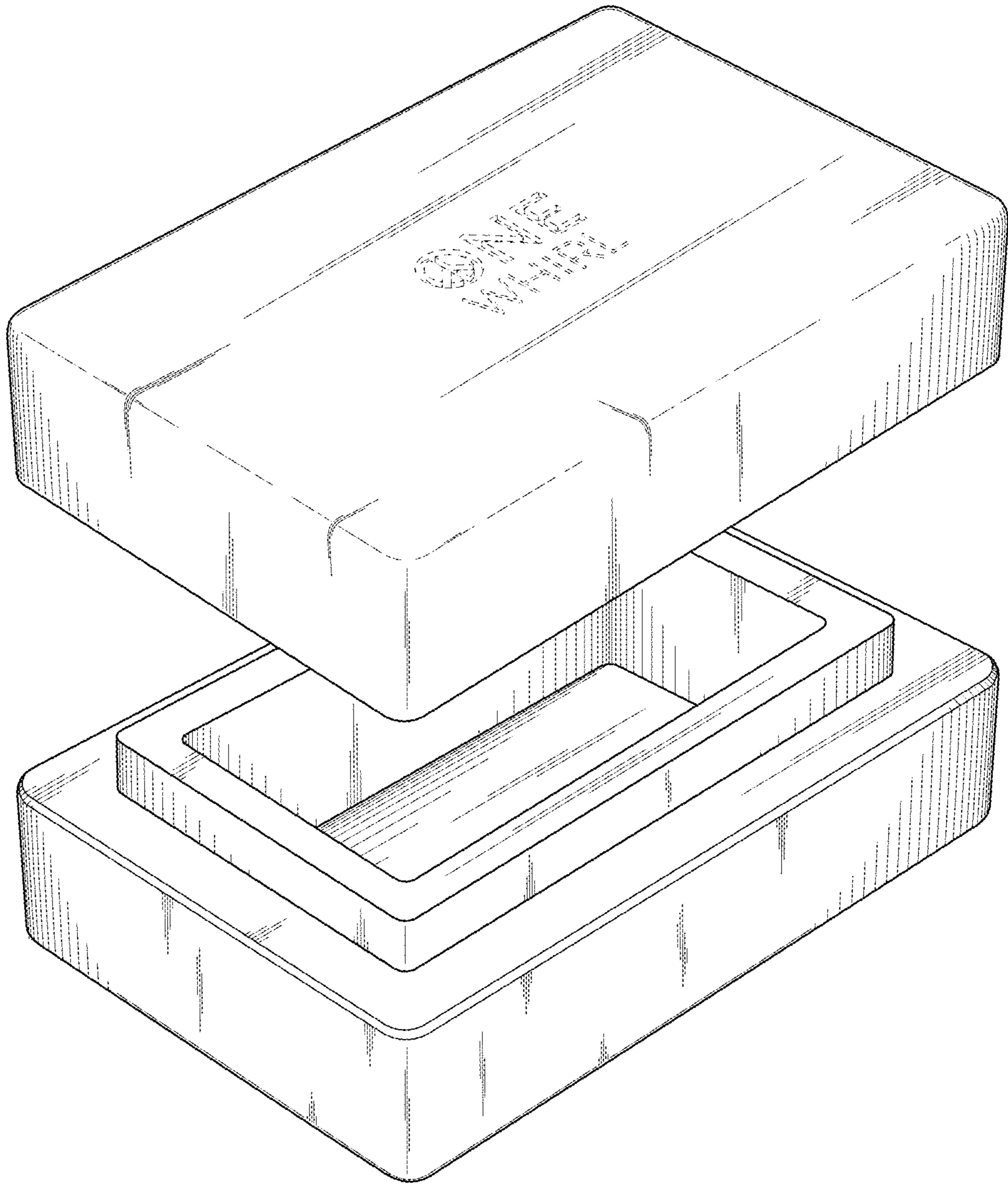


FIG. 6

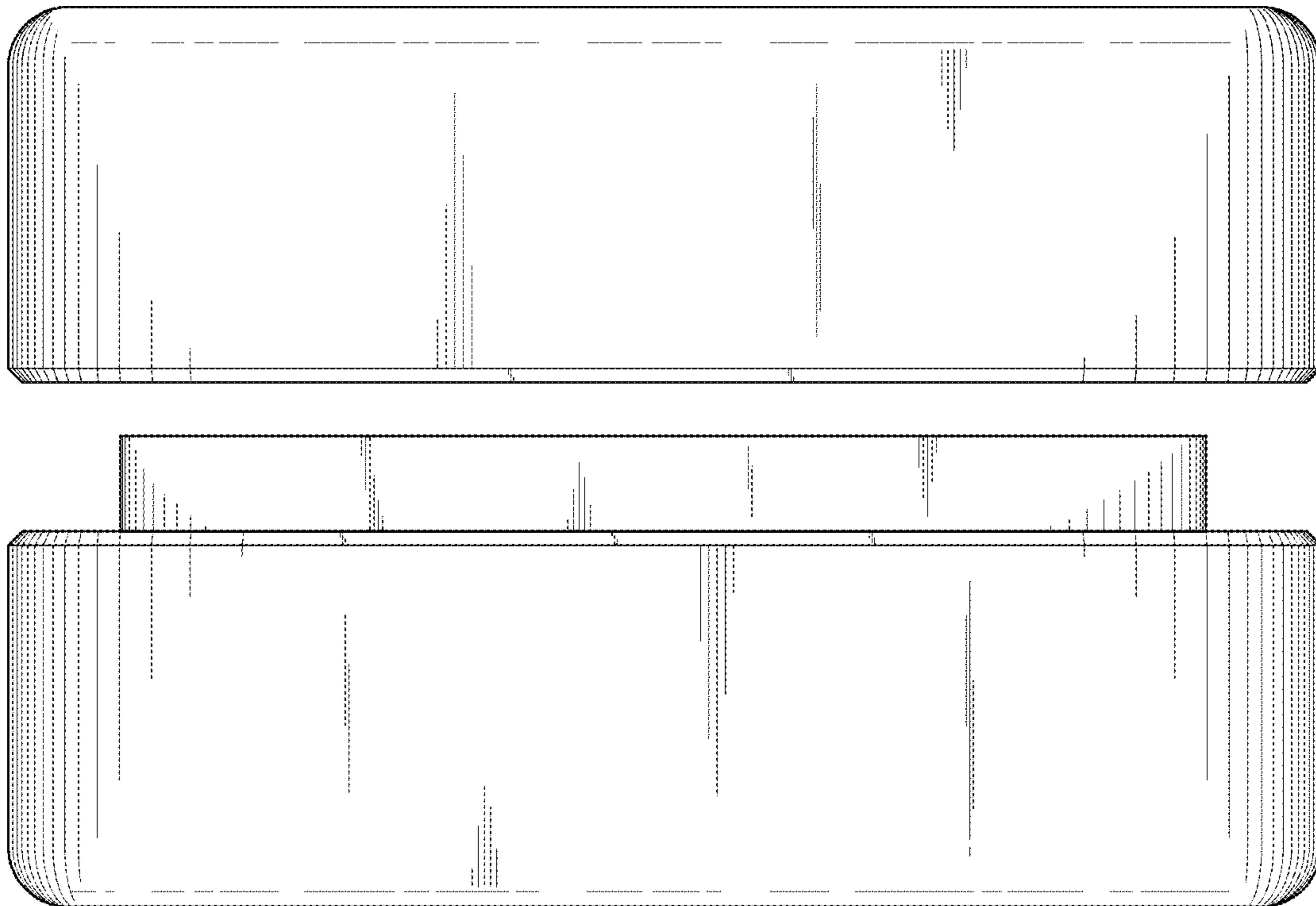


FIG. 7

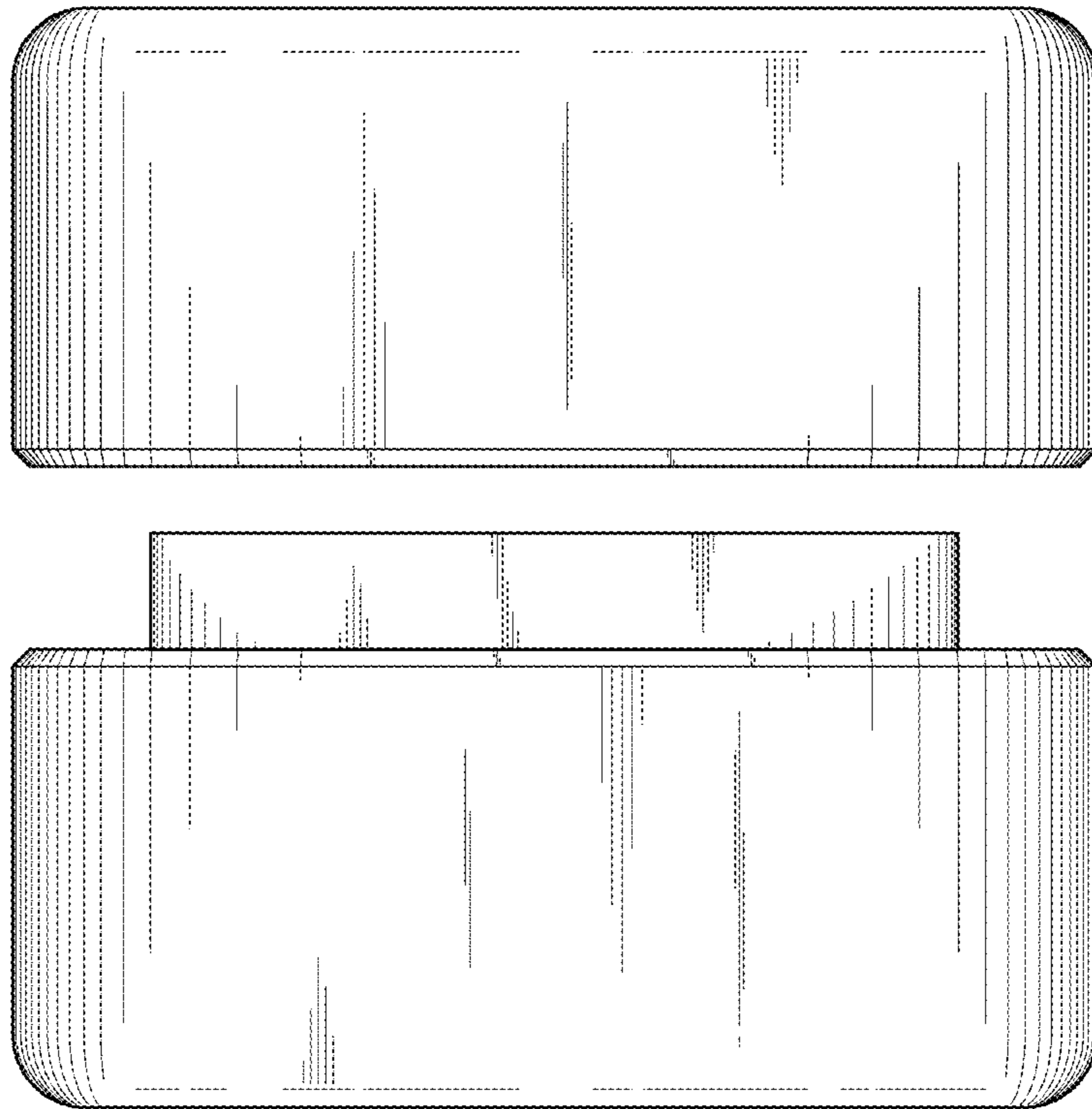


FIG. 8

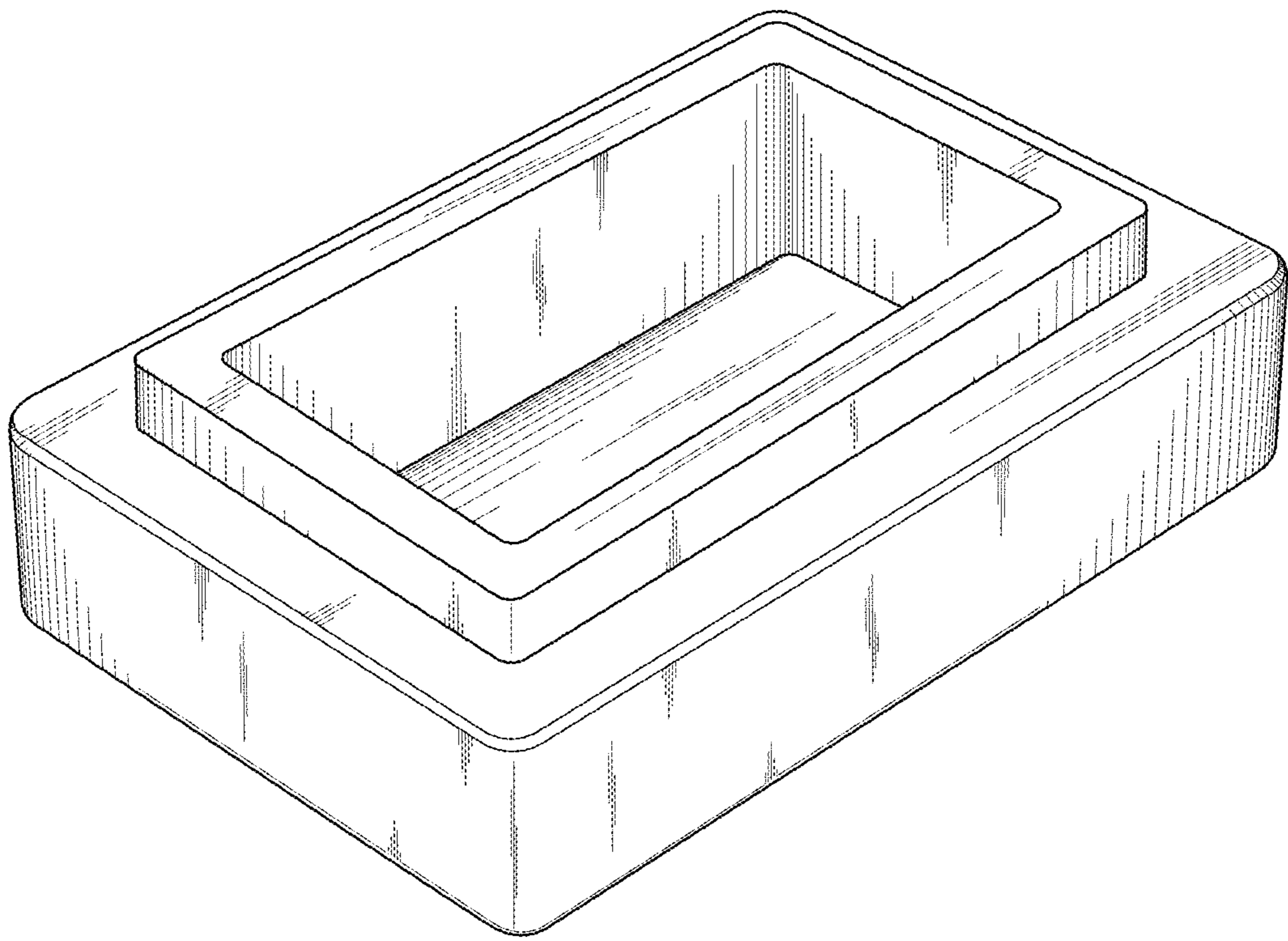


FIG. 9

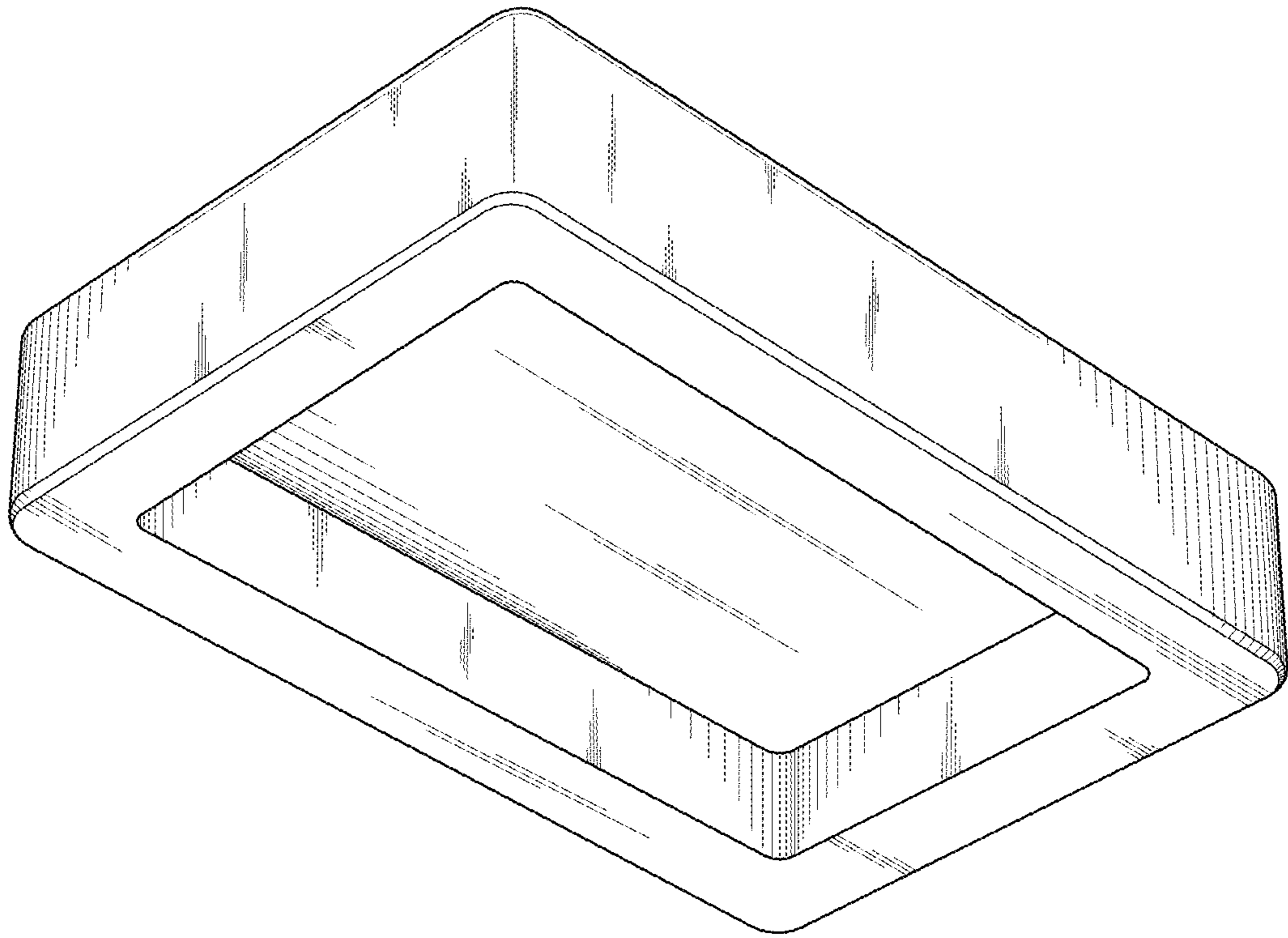


FIG. 10