



US00D887504S

(12) **United States Design Patent** (10) **Patent No.:** **US D887,504 S**
Mathew et al. (45) **Date of Patent:** **** Jun. 16, 2020**

- (54) **ANKLE EXERCISE DEVICE**
- (71) Applicants: **Antony Mathew**, Fort Myers, FL (US);
Amy Rose Mathew, Fort Myers, FL (US); **Antony George Mathew**, Fort Myers, FL (US)
- (72) Inventors: **Antony Mathew**, Fort Myers, FL (US);
Amy Rose Mathew, Fort Myers, FL (US); **Antony George Mathew**, Fort Myers, FL (US)
- (73) Assignees: **Antony Mathew**, Fort Myers, FL (US);
Amy Rose Mathew, Fort Myers, FL (US); **Antony George Mathew**, Fort Myers, FL (US)
- (**) Term: **15 Years**
- (21) Appl. No.: **29/662,989**
- (22) Filed: **Sep. 11, 2018**
- (51) **LOC (12) Cl.** **21-02**
- (52) **U.S. Cl.**
USPC **D21/685**
- (58) **Field of Classification Search**
USPC .. 482/51, 52, 53, 92, 93, 97, 117, 130, 131;
D21/673, 675, 679, 680, 685, 686, 688,
D21/694; D24/194, 212
CPC A61H 2201/1284; A61H 1/0266; A61H
2203/0406; A61H 2205/12; A63B 22/16;
A63B 23/10; Y10S 482/907
See application file for complete search history.

- D298,266 S * 10/1988 Reyneke D21/685
4,998,720 A * 3/1991 Kim A63B 22/14
482/130
D317,959 S * 7/1991 Francis D21/673
D348,492 S * 7/1994 Konarski, II D21/673
D348,708 S * 7/1994 Chen D21/670
(Continued)

OTHER PUBLICATIONS

Amazon, "FootFit Sitting Stepper", May 5, 2018. https://www.amazon.com/FootFit-Sitting-Stepper-Exerciser-Cirulation/dp/B079BNZLGM/ref=cm_cr_ar_p_d_product_top?ie=UTF8. Shown on p. 1. (Year: 2018).*

Primary Examiner — Cynthia Ramirez
Assistant Examiner — Michael A Maharajh

(57) **CLAIM**

The ornamental design for an ankle exercise device, as shown and described.

DESCRIPTION

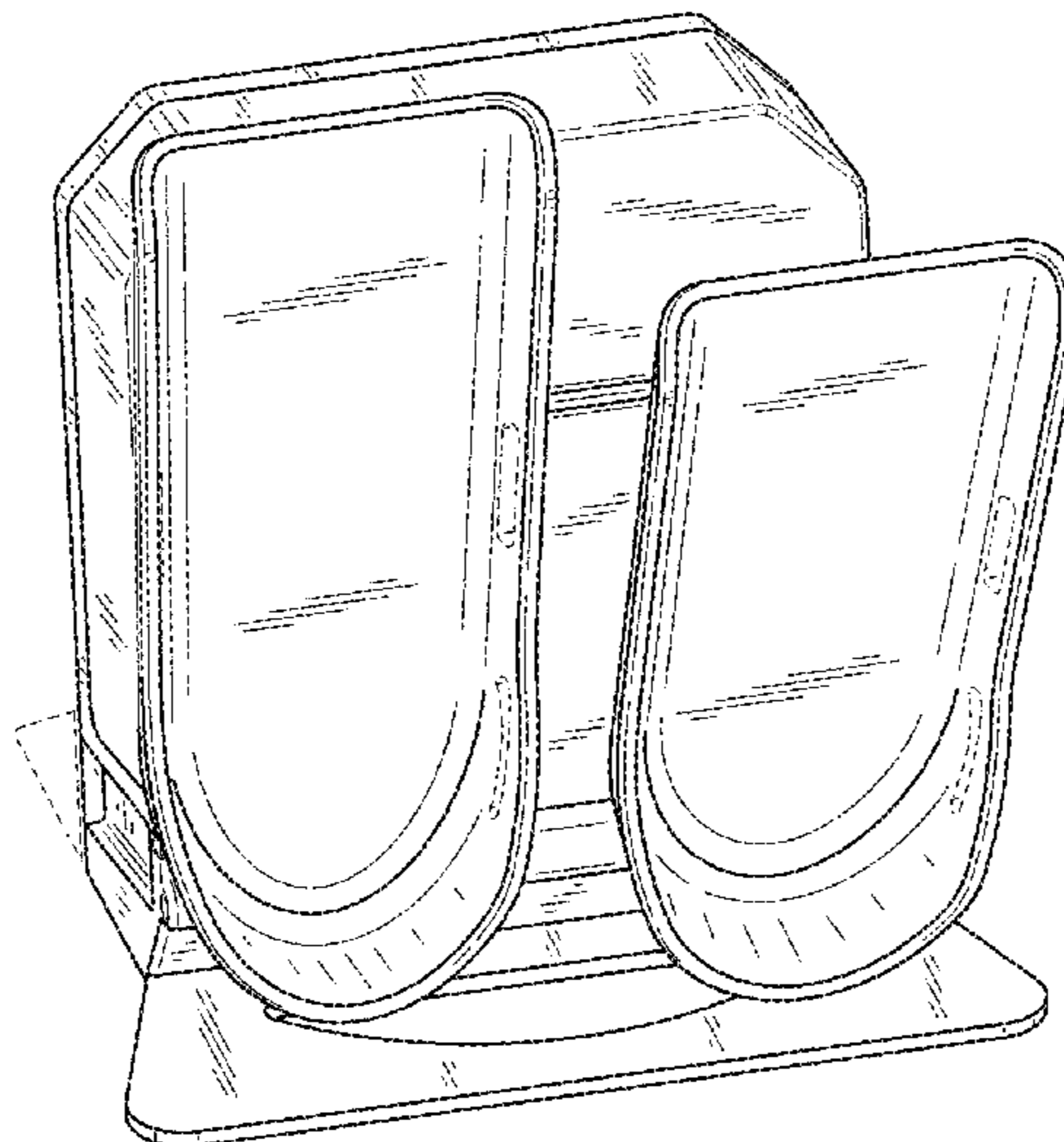
FIG. 1 is a front perspective view of the ankle exercise device showing our new design;
FIG. 2 is a front elevation view thereof;
FIG. 3 is a rear elevation view thereof;
FIG. 4 is a left side elevation view thereof;
FIG. 5 is a right side elevation view thereof;
FIG. 6 is a top plan view thereof;
FIG. 7 is a bottom plan view thereof;
FIG. 8 is a side elevation view of the ankle exercise device in use in an upright position; and,
FIG. 9 is a side elevation view of the ankle exercise device in use in a supine position.
The broken lines shown in the drawings illustrate portions of the ankle exercise device that form no part of the claimed design.
The broken lines in FIGS. 8 and 9 showing the ankle exercise device in use illustrates environment and forms no part of the claim.

1 Claim, 6 Drawing Sheets

(56) **References Cited**

U.S. PATENT DOCUMENTS

- D189,011 S * 10/1960 Berne D24/188
4,159,111 A * 6/1979 Lowth A63B 22/0056
482/118
D261,909 S * 11/1981 Heatwole D21/688
D269,636 S * 7/1983 MacGregor D24/211
D280,934 S * 10/1985 MacGregor D24/211
D281,343 S * 11/1985 Krive 482/147



(56)

References Cited

U.S. PATENT DOCUMENTS

D349,542 S * 8/1994 Russell D21/670
 D358,625 S * 5/1995 Enriquez, Jr. D21/686
 D390,020 S * 2/1998 Huang D24/212
 D461,211 S * 8/2002 Kuo D21/668
 D474,818 S * 5/2003 Yu D21/662
 D496,700 S * 9/2004 Chen D21/668
 D498,506 S * 11/2004 Yu D21/668
 D519,583 S * 4/2006 Chen D21/668
 7,314,432 B2 * 1/2008 Liao A63B 21/015
 482/52
 D596,246 S * 7/2009 Nofsinger D21/685
 D771,204 S * 11/2016 Ho D21/668
 D773,567 S * 12/2016 Chuang D21/668
 D774,149 S * 12/2016 Estrada, Jr. D21/685
 D776,211 S * 1/2017 Gebhard D21/685
 D781,383 S * 3/2017 Ho D21/670
 D781,384 S * 3/2017 Ho D21/670
 D795,364 S * 8/2017 Chang D21/670
 D796,591 S * 9/2017 Ho D21/668
 2002/0155926 A1 * 10/2002 Lat A63B 21/015
 482/52
 2003/0017916 A1 * 1/2003 Juan A63B 22/0056
 482/51
 2003/0199365 A1 * 10/2003 Hong A63B 21/0083
 482/53
 2003/0216224 A1 * 11/2003 Chuang A63B 22/0056
 482/53
 2004/0110604 A1 * 6/2004 Chen Wu A63B 22/16
 482/79

2004/0259704 A1 * 12/2004 Liang A63B 22/16
 482/146
 2005/0064996 A1 * 3/2005 Chen A63B 22/0056
 482/53
 2005/0124465 A1 * 6/2005 Chen A63B 22/0056
 482/52
 2005/0137065 A1 * 6/2005 Zoller A63B 23/08
 482/117
 2005/0227818 A1 * 10/2005 Liao A63B 21/015
 482/53
 2006/0019801 A1 * 1/2006 Zeng A63B 22/0064
 482/52
 2007/0202996 A1 * 8/2007 Lu A63B 22/0056
 482/52
 2007/0254782 A1 * 11/2007 Chen A63B 22/0056
 482/53
 2007/0270284 A1 * 11/2007 Lin A63B 22/0069
 482/52
 2008/0194387 A1 * 8/2008 Chuang A63B 21/0552
 482/52
 2008/0269027 A1 * 10/2008 Chen A61H 1/0266
 482/80
 2009/0291808 A1 * 11/2009 Chen A63B 23/0429
 482/52
 2013/0045838 A1 * 2/2013 Ho A63B 22/0058
 482/52
 2017/0252603 A1 * 9/2017 Wu A63B 22/0664
 2019/0070459 A1 * 3/2019 Michaud A63B 23/08
 2019/0125611 A1 * 5/2019 Baek A61H 1/0266
 2019/0133875 A1 * 5/2019 Choi A61H 1/00

* cited by examiner

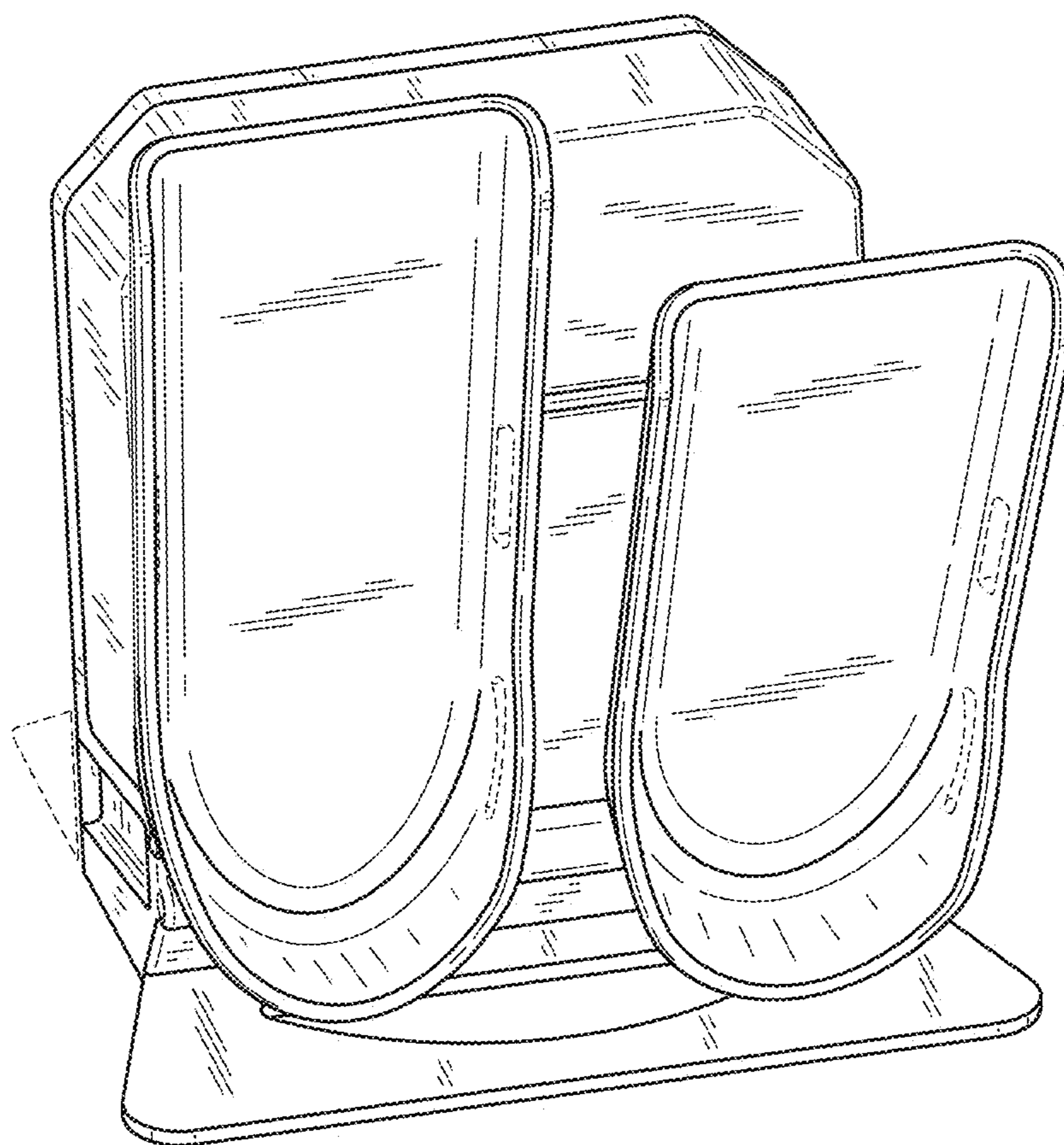


FIG. 1

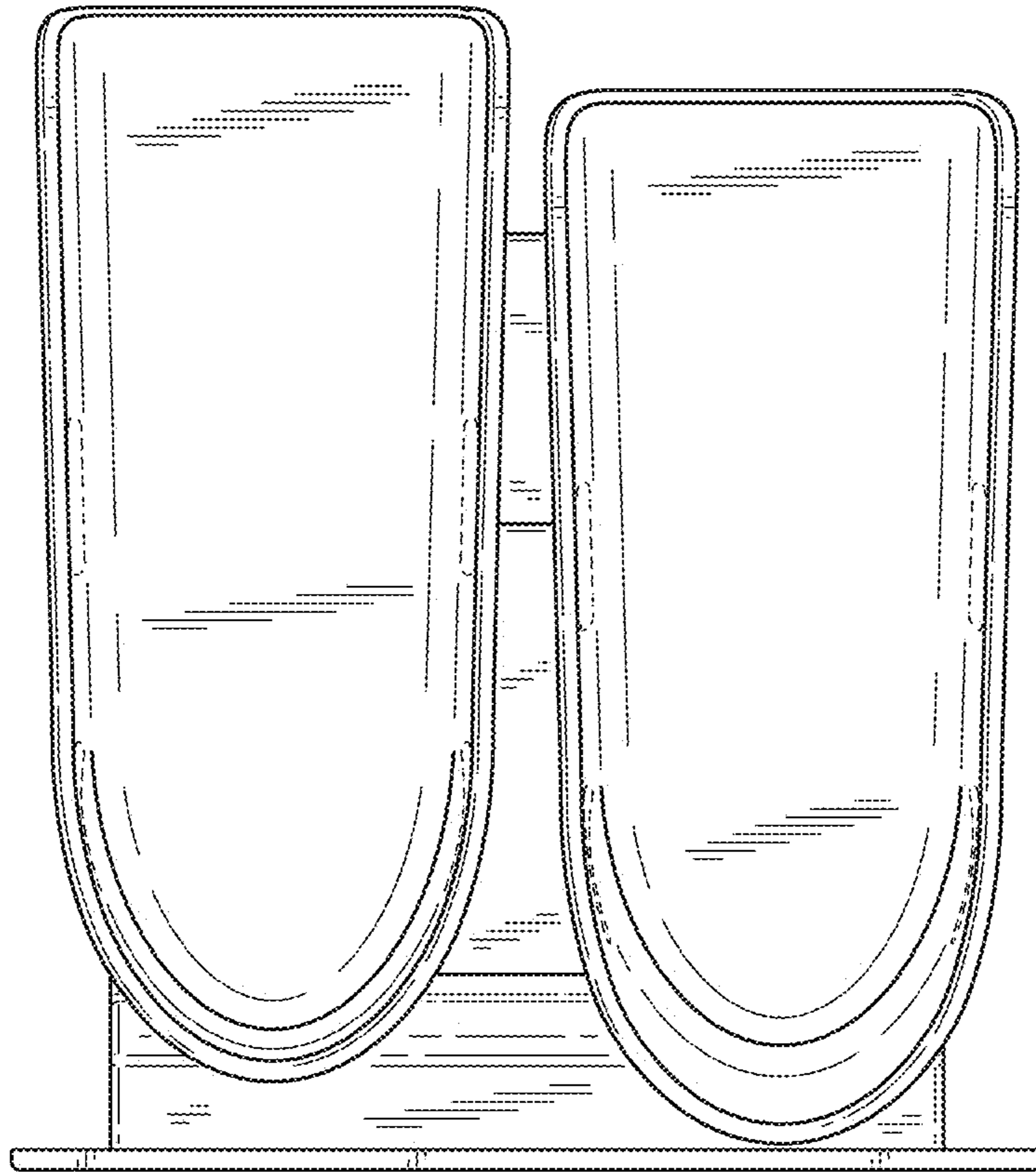


FIG. 2

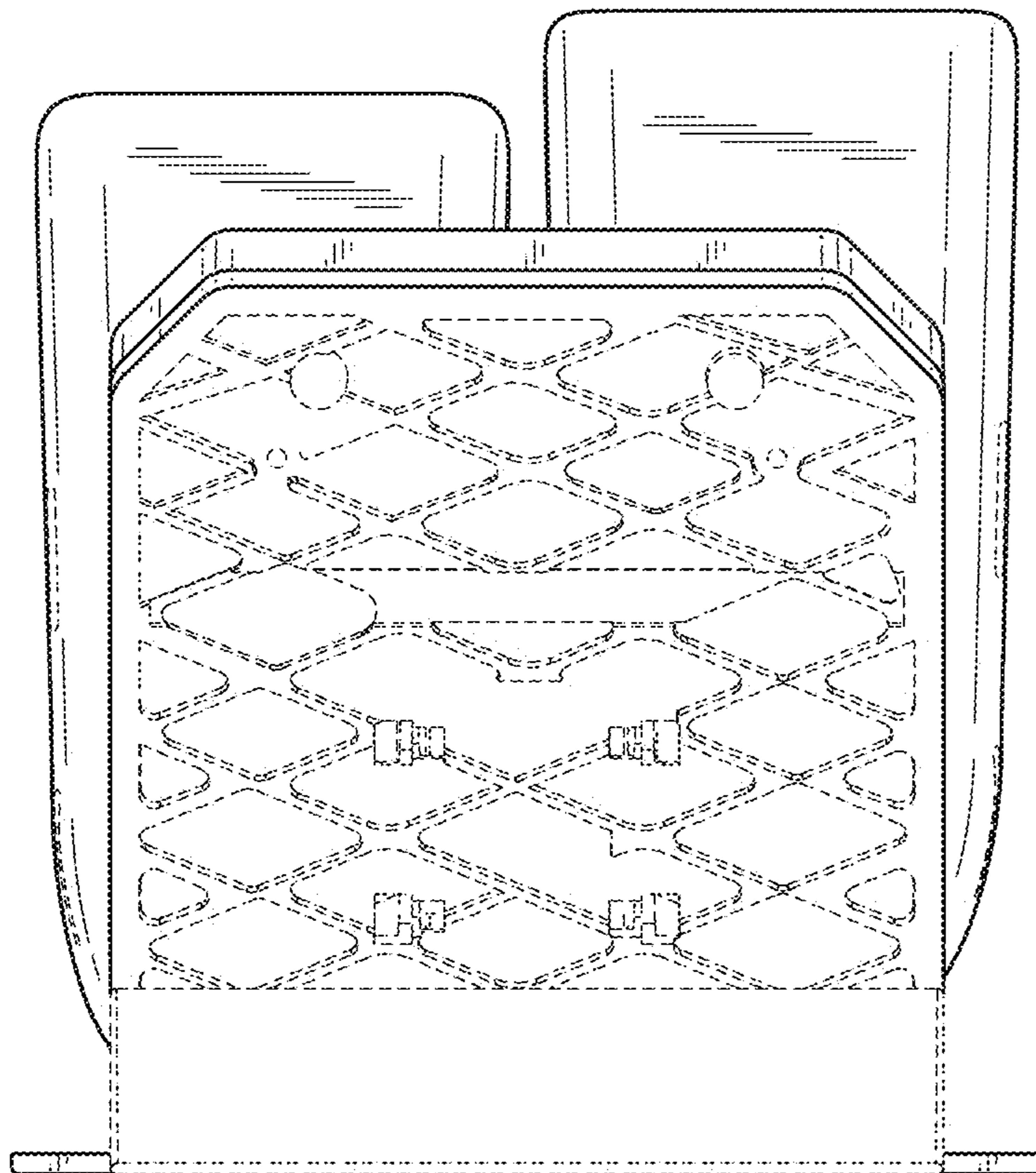


FIG. 3

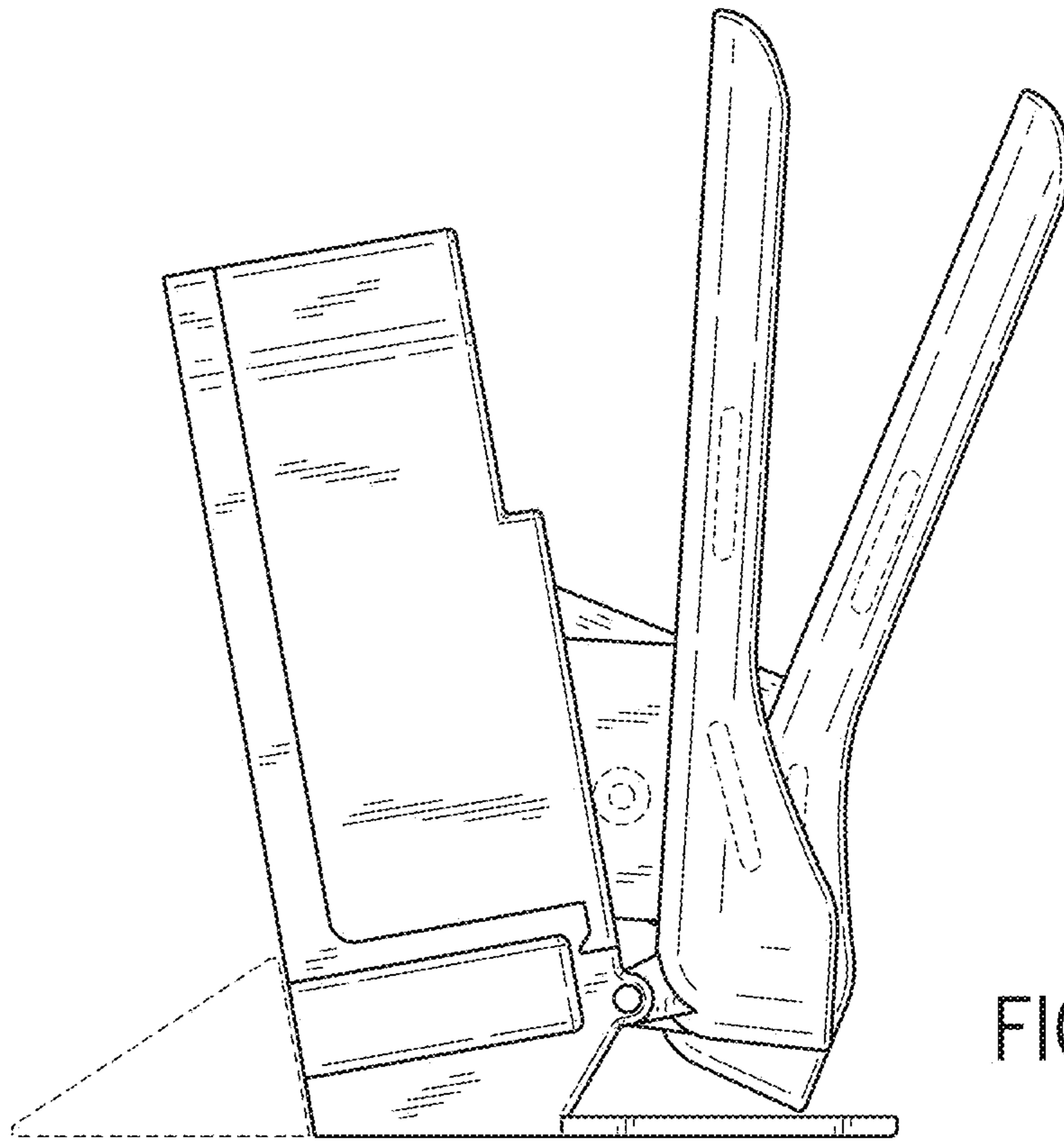


FIG. 4

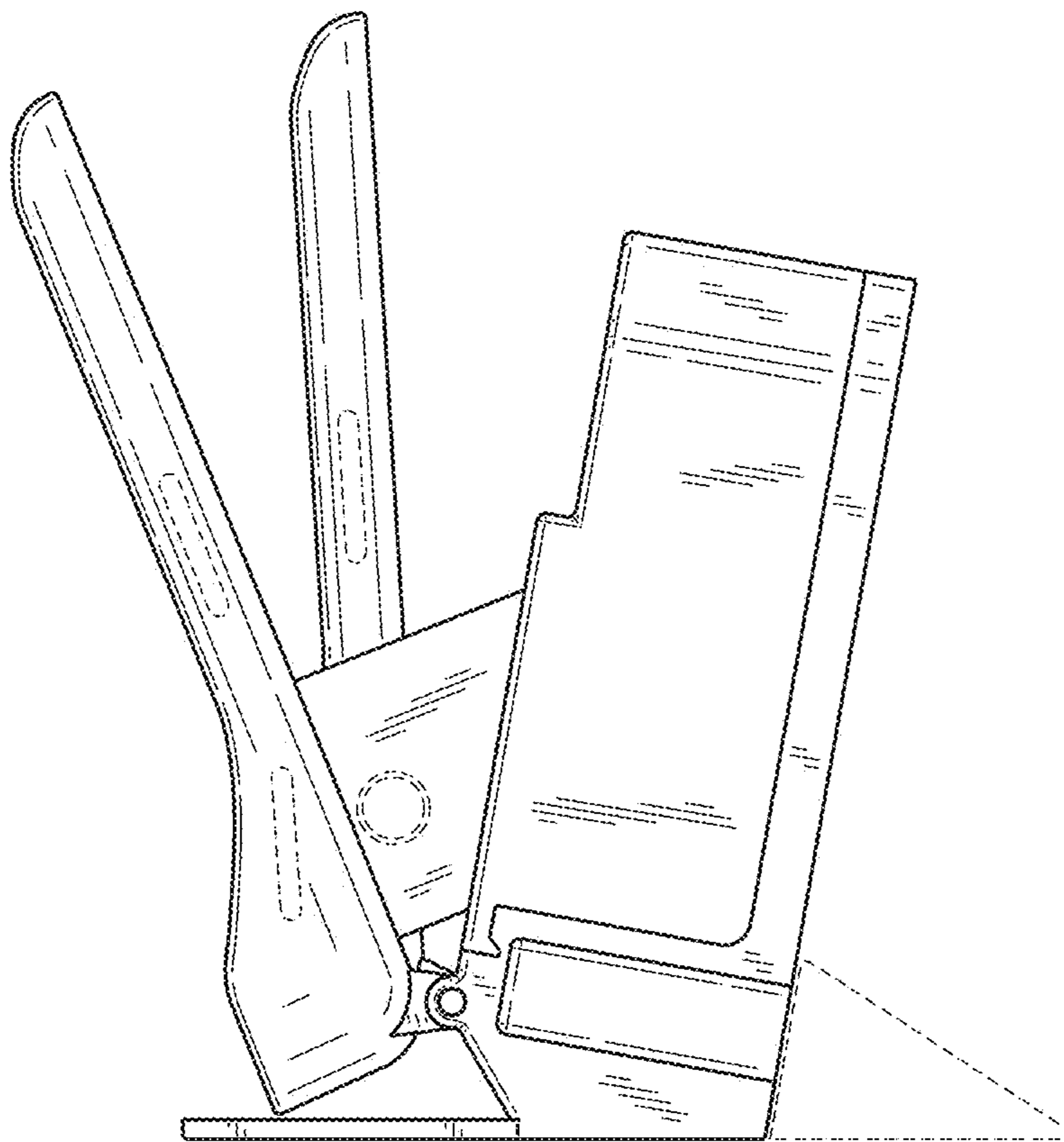


FIG. 5

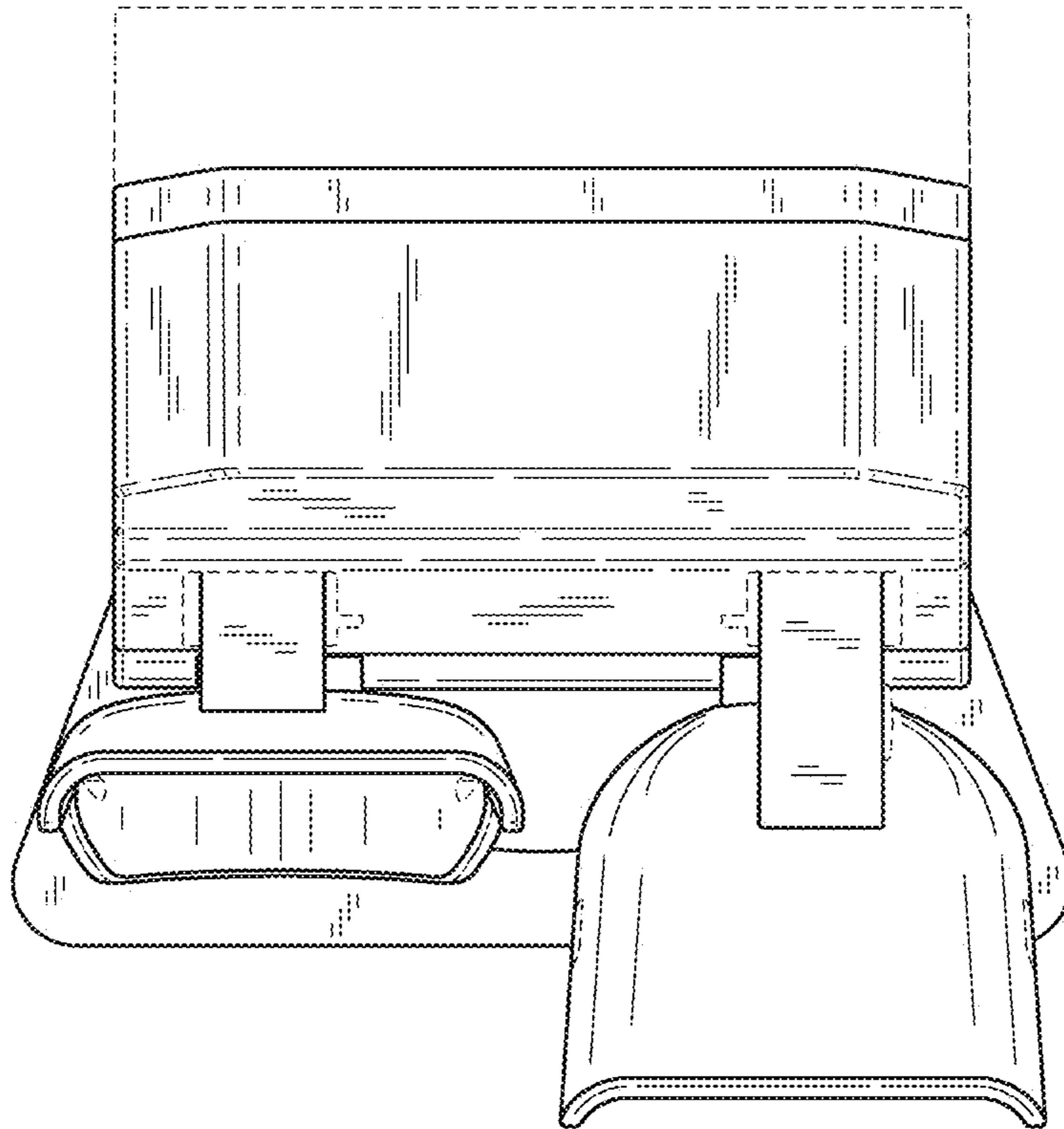


FIG. 6

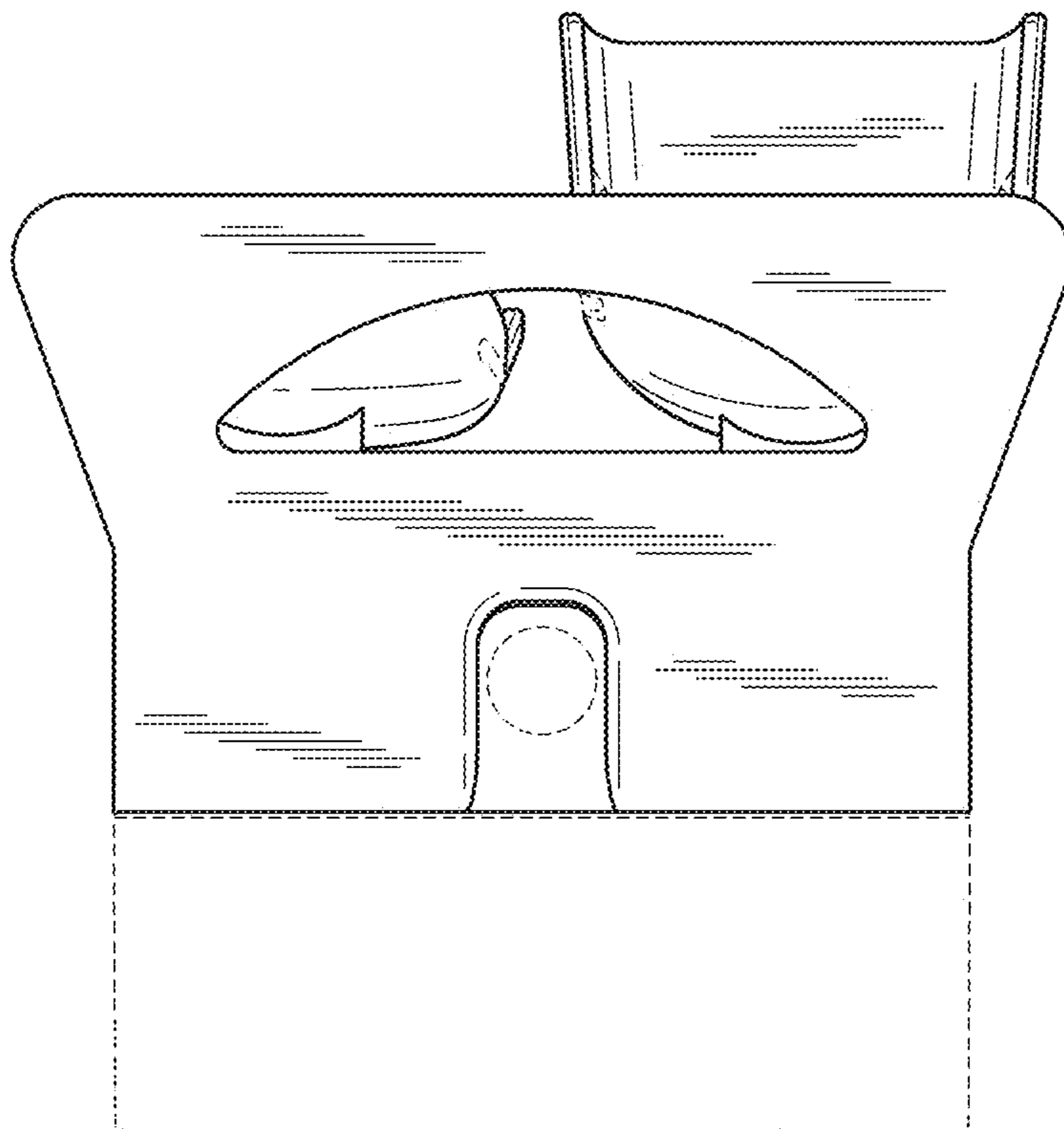


FIG. 7

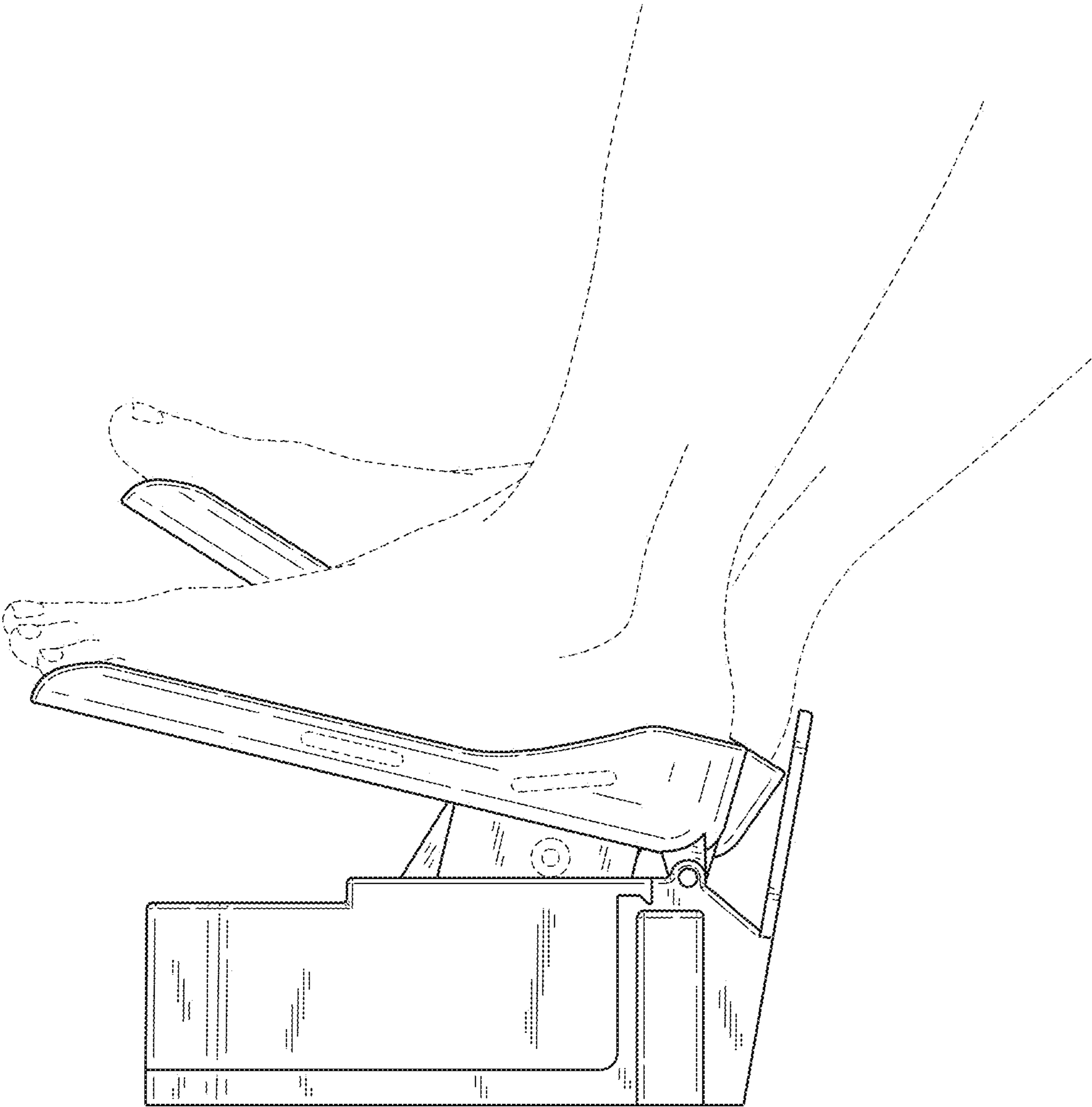


FIG. 8

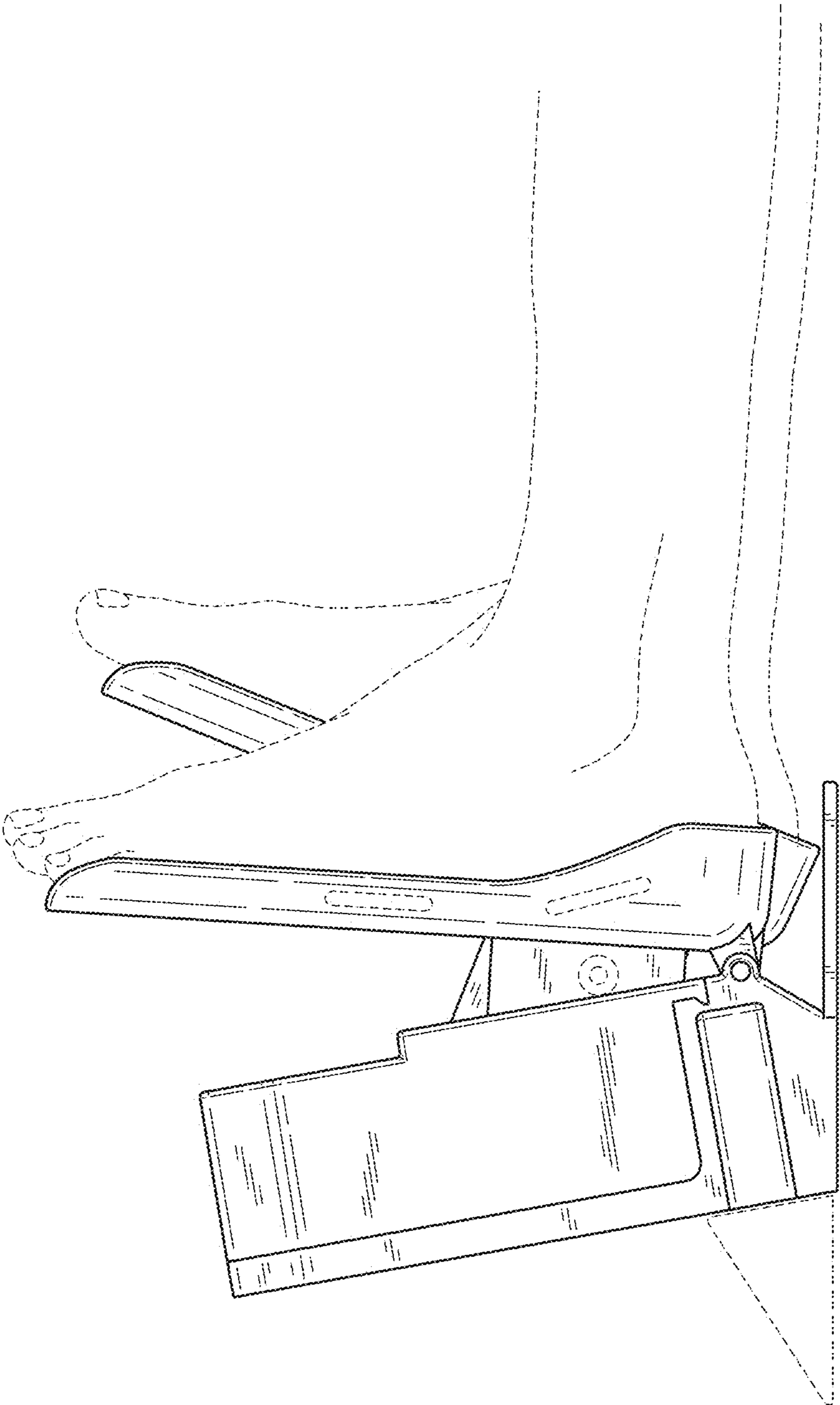


FIG. 9