



US00D887503S

(12) **United States Design Patent**
Ford

(10) **Patent No.:** **US D887,503 S**
(45) **Date of Patent:** **** Jun. 16, 2020**

- (54) **EXERCISE DEVICE**
- (71) Applicant: **Thomas E. Ford**, Indianapolis, IN (US)
- (72) Inventor: **Thomas E. Ford**, Indianapolis, IN (US)
- (73) Assignee: **ARC2 Enterprises, A Foundation for Health, LLC**, Indianapolis, IN (US)
- (**) Term: **15 Years**
- (21) Appl. No.: **29/659,714**
- (22) Filed: **Aug. 10, 2018**
- (51) **LOC (12) Cl.** **21-02**
- (52) **U.S. Cl.**
USPC **D21/678**
- (58) **Field of Classification Search**
USPC D21/680, 682, 681, 686, 662, 692, 689,
D21/687, 684, 679, 678, 671; 482/108,
482/109, 106, 93, 107, 98, 91, 139, 104,
482/44, 55, 51, 47, 45, 49, 141; D30/160
CPC . A63B 21/072; A63B 21/075; A63B 21/4035;
A63B 21/0726; A63B 21/0602; A63B
21/0728; A63B 21/0004; A63B 21/00065;
A63B 21/4043; A63B 23/1236; A63B
21/06; A63B 21/0601; A63B 21/0084;
A63B 21/0724; A63B 23/03508
See application file for complete search history.

(56) **References Cited**
U.S. PATENT DOCUMENTS

D244,628 S *	6/1977	Wright	D21/682
4,029,312 A *	6/1977	Wright	A63B 21/0602
				482/108
D267,737 S *	1/1983	Wright	D21/682
D271,407 S *	11/1983	Wright	D21/682
D274,283 S *	6/1984	Wright	482/108
4,623,142 A *	11/1986	MacKechnie	A63B 21/0084
				482/111

4,632,391 A *	12/1986	Orak	A63B 21/0608
				446/170
4,685,667 A *	8/1987	McDonald	A63B 21/0084
				441/58
D299,365 S *	1/1989	Greeley	D21/678
4,819,951 A *	4/1989	Solloway	A63B 21/00061
				482/111
D302,195 S *	7/1989	Orak	D21/682
4,854,575 A *	8/1989	Wilson	A63B 21/0602
				482/108
D307,168 S *	4/1990	Vodhanel	D21/682
D309,763 S *	8/1990	Solloway	D21/678
5,033,739 A *	7/1991	MacKechnie	A63B 21/0084
				482/111
D343,660 S *	1/1994	Hwang	D21/682
D343,880 S *	2/1994	Shelton	D21/678
D344,113 S *	2/1994	Shelton	D21/678
D348,914 S *	7/1994	Shelton	D21/678
D367,089 S *	2/1996	Hughes	D21/678
D372,945 S *	8/1996	Morgan	D21/682

(Continued)

Primary Examiner — Ryan Harvey
(74) *Attorney, Agent, or Firm* — Indiano Law Group LLC

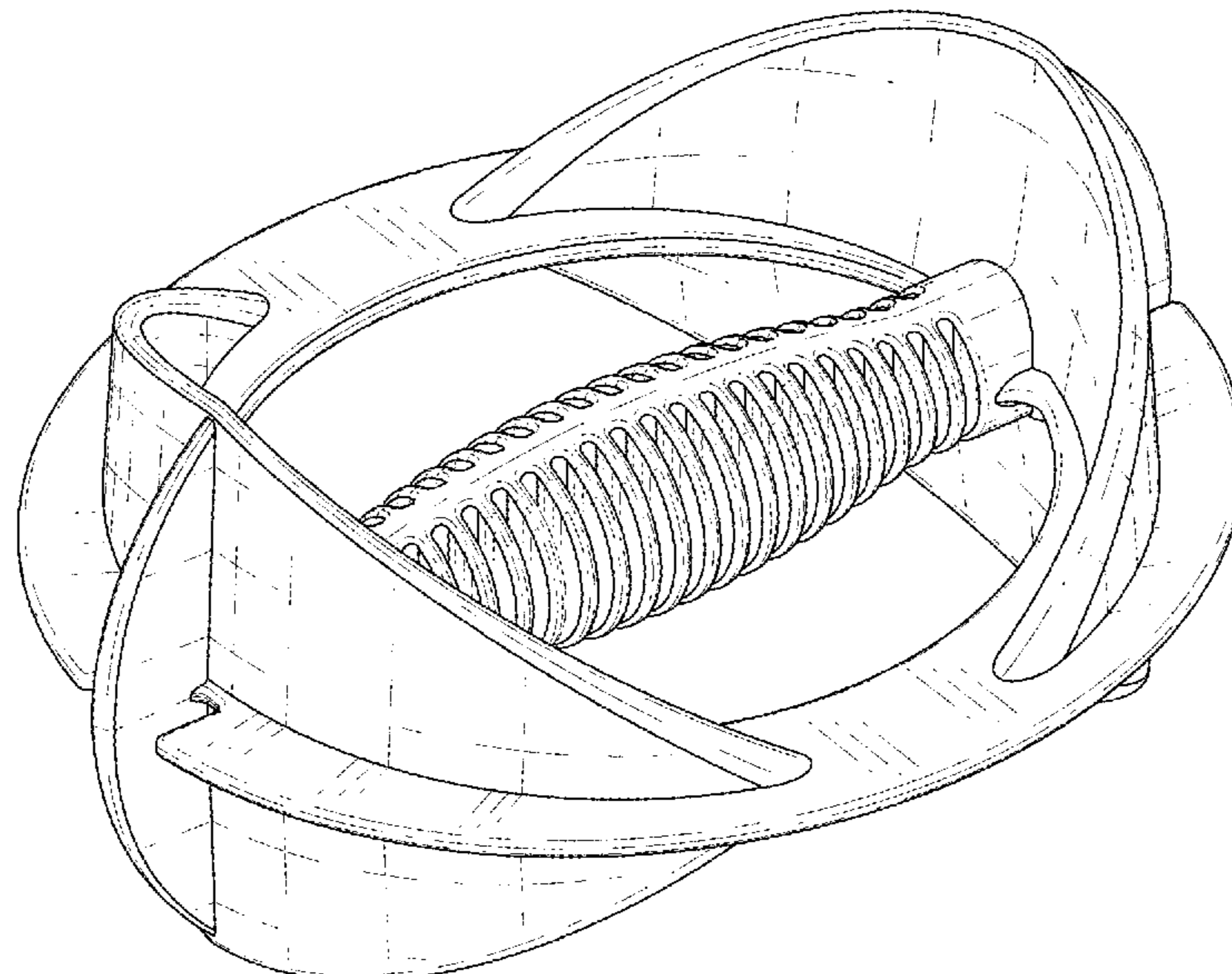
(57) **CLAIM**

The ornamental design for an exercise device, as shown and described.

DESCRIPTION

FIG. 1 is a top-front-oriented perspective view of an exercise device showing my new design;
 FIG. 2 is a top view of the exercise device of FIG. 1;
 FIG. 3 is a bottom view thereof;
 FIG. 4 is a right side view thereof;
 FIG. 5 is a left side view thereof;
 FIG. 6 is a front view thereof;
 FIG. 7 is a rear view thereof;
 FIG. 8 is a top view of a pair of exercise devices of the present invention in a disengaged orientation; and,
 FIG. 9 is a top view of a pair of exercise devices of the present invention in an engaged orientation.

1 Claim, 7 Drawing Sheets



(56)

References Cited

U.S. PATENT DOCUMENTS

5,692,944 A * 12/1997 Pellicone A63B 21/0608
273/109
6,050,925 A * 4/2000 Irvin A63B 21/00069
441/55
D438,265 S * 2/2001 Fenelon A63B 1/00
D21/682
6,461,282 B1 * 10/2002 Fenelon A63B 21/0601
482/106
D480,438 S * 10/2003 Walkow D21/681
6,652,420 B2 * 11/2003 Chen A63B 23/12
482/139
7,014,598 B2 * 3/2006 Fenelon A63B 21/0601
482/106
D521,578 S * 5/2006 Keegan D21/678
D523,098 S * 6/2006 Keegan D21/678
7,090,618 B2 * 8/2006 Stout A63B 21/0084
482/55
D575,361 S * 8/2008 Davis D21/682
7,491,155 B2 * 2/2009 Fenelon A63B 21/0601
482/107
7,785,240 B2 * 8/2010 Stugart A63B 21/06
482/108
D631,106 S * 1/2011 Zemel D21/662
7,878,952 B2 * 2/2011 Fenelon A63B 21/075
482/108
D658,729 S * 5/2012 McLoughney D21/682

D662,558 S * 6/2012 Lovegrove D21/680
8,454,485 B1 * 6/2013 Hodes A63B 21/0726
482/108
8,790,224 B1 * 7/2014 Davis A63B 21/0084
441/50
D754,265 S * 4/2016 White D21/682
D762,788 S * 8/2016 Slowey D21/680
D769,990 S * 10/2016 Jung D21/681
D779,599 S * 2/2017 Jung D21/681
9,795,826 B1 * 10/2017 Vardi A63B 21/4035
D805,140 S * 12/2017 Hodes D21/681
9,833,653 B2 * 12/2017 Bradford A63B 21/0607
10,300,320 B2 * 5/2019 Pallesen A63B 21/4025
D865,880 S * 11/2019 Laurence D21/681
D866,685 S * 11/2019 Laurence D21/681
2002/0098952 A1 * 7/2002 Stout A63B 21/0084
482/55
2004/0097342 A1 * 5/2004 Stout A63B 21/0004
482/55
2004/0259691 A1 * 12/2004 Stout A63B 21/0084
482/47
2006/0073951 A1 * 4/2006 Walkow A63B 21/0601
482/109
2014/0038795 A1 * 2/2014 Sassano A63B 23/02
482/141
2014/0249001 A1 * 9/2014 Malvezzi A63B 21/072
482/93
2016/0317857 A1 * 11/2016 Sorin A63B 21/072

* cited by examiner

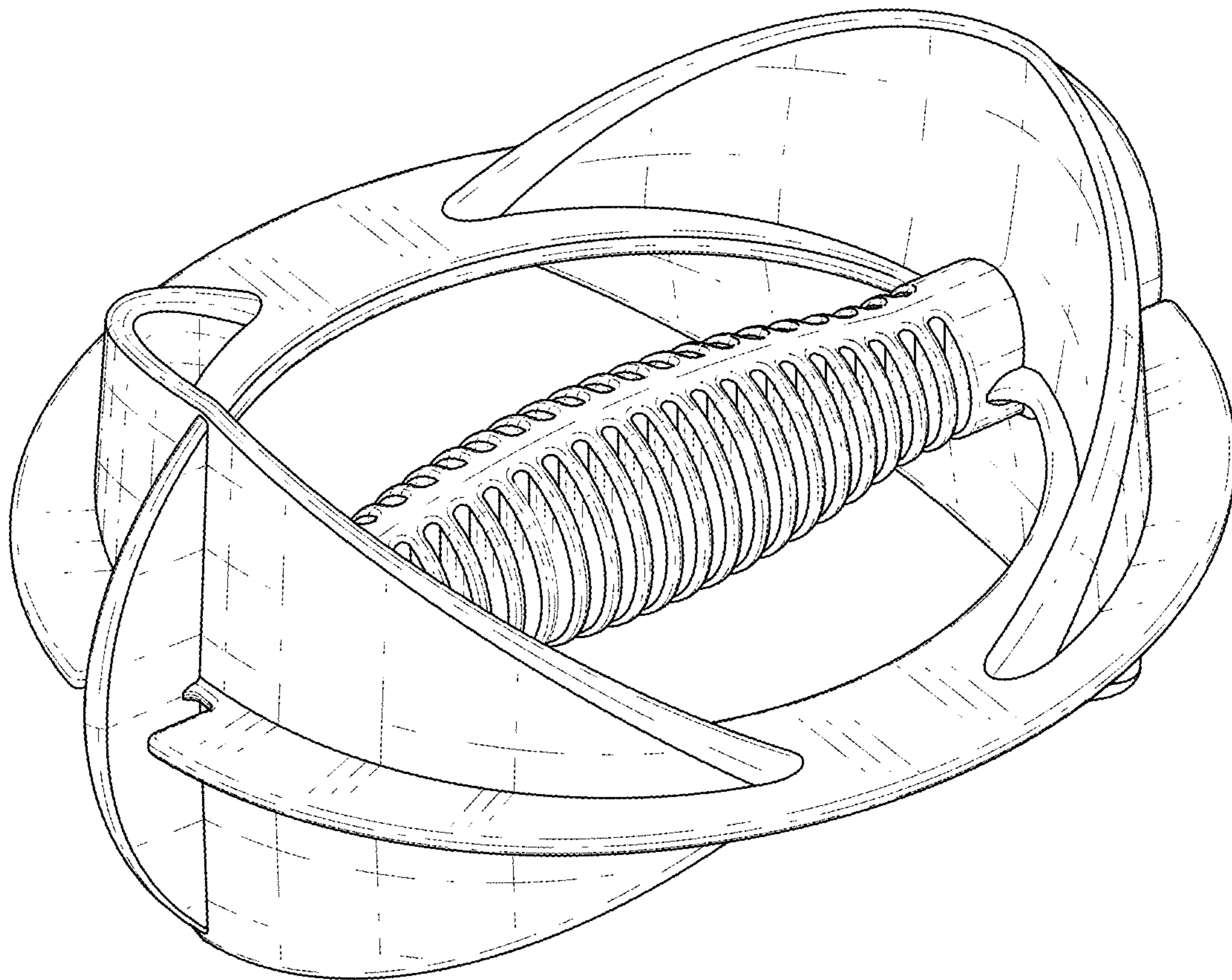


FIG. 1

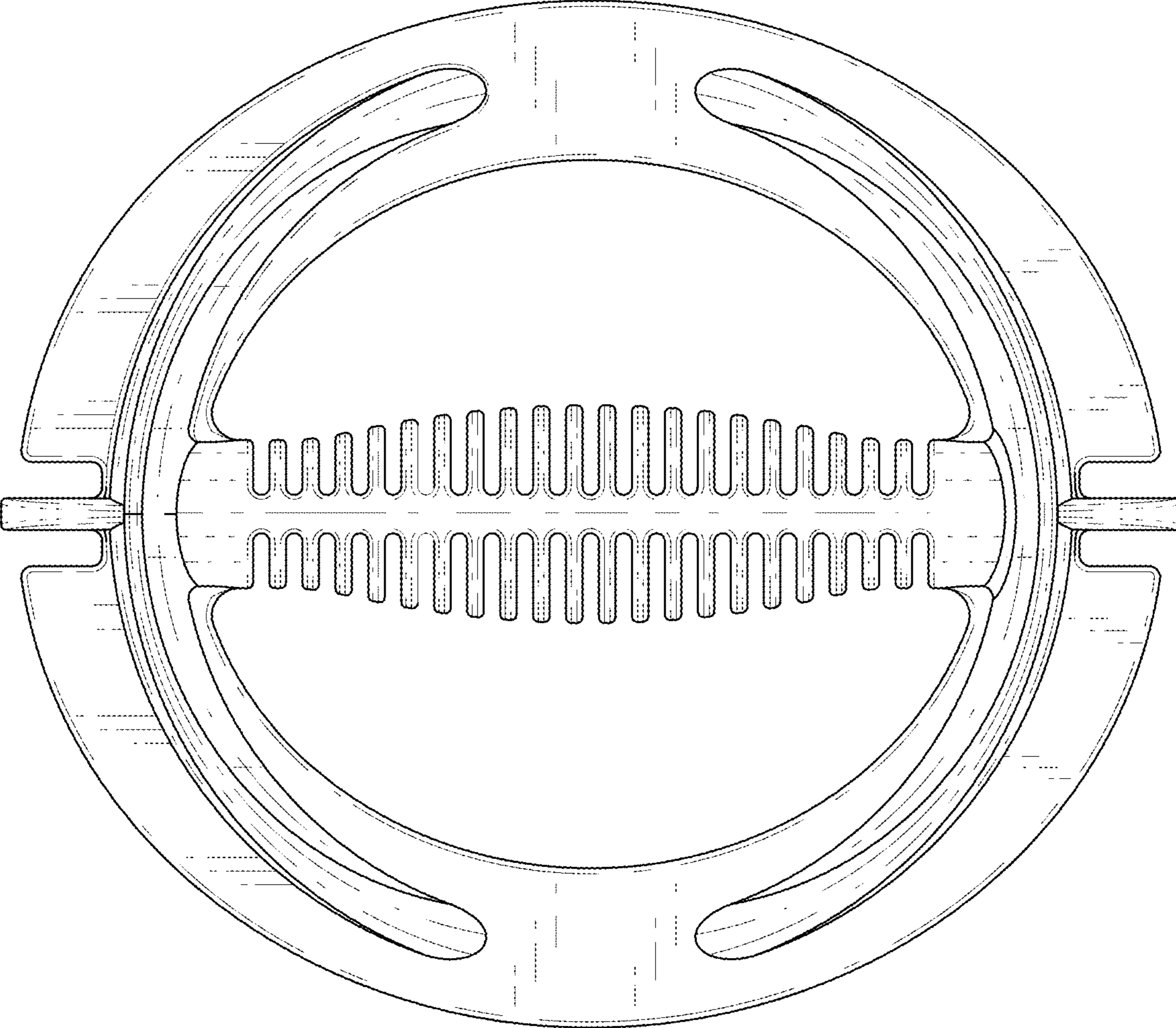


FIG. 2

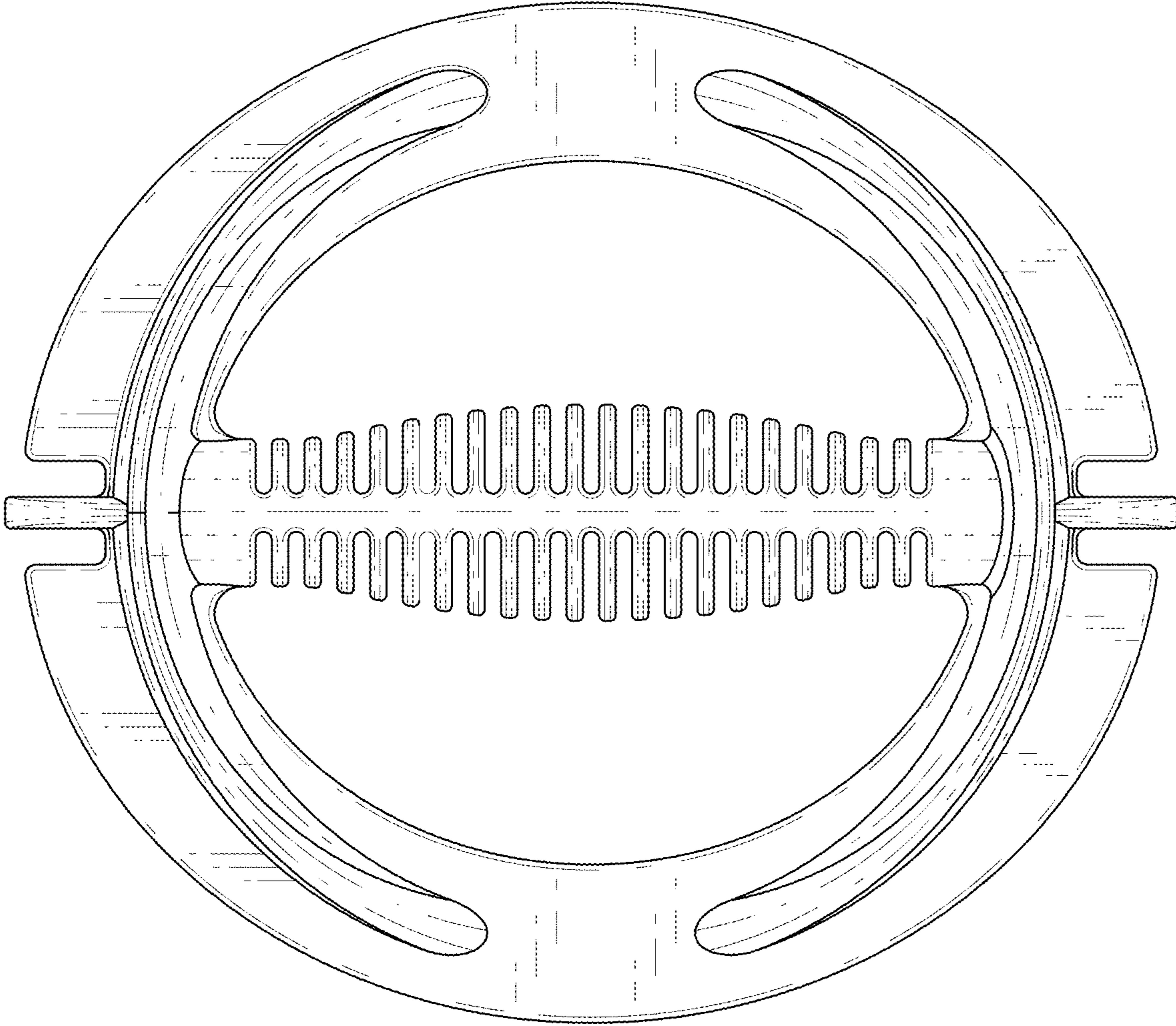


FIG. 3

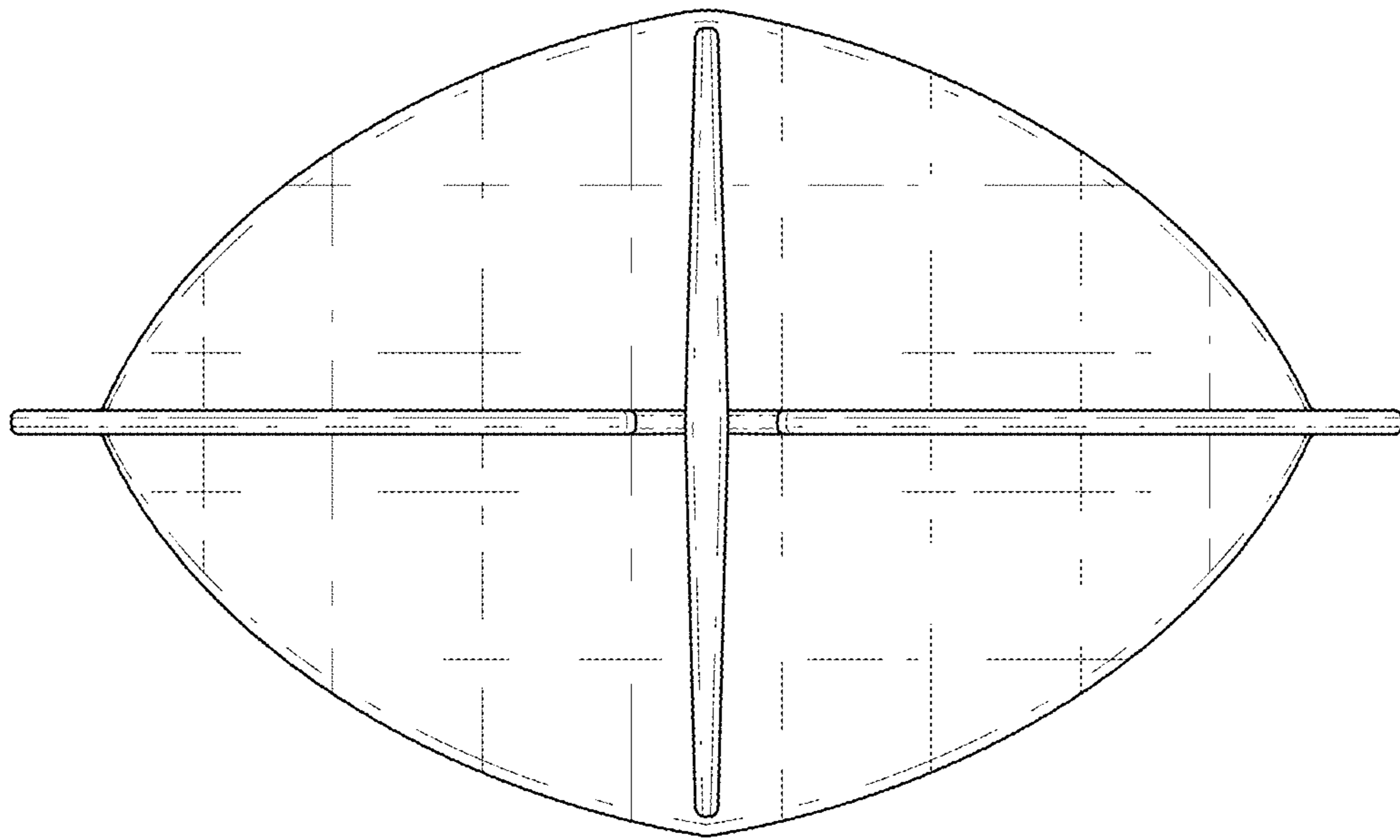


FIG. 4

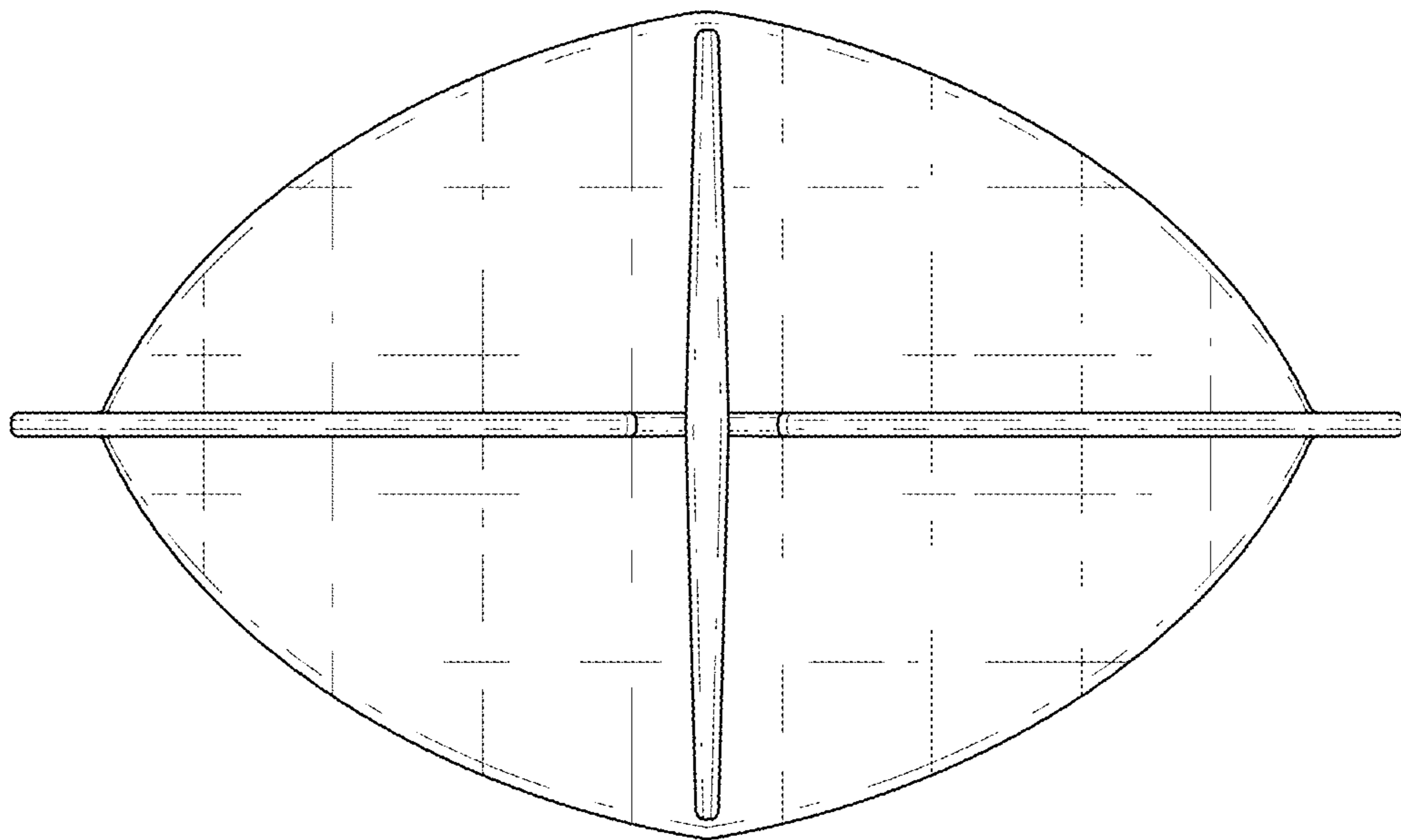


FIG. 5

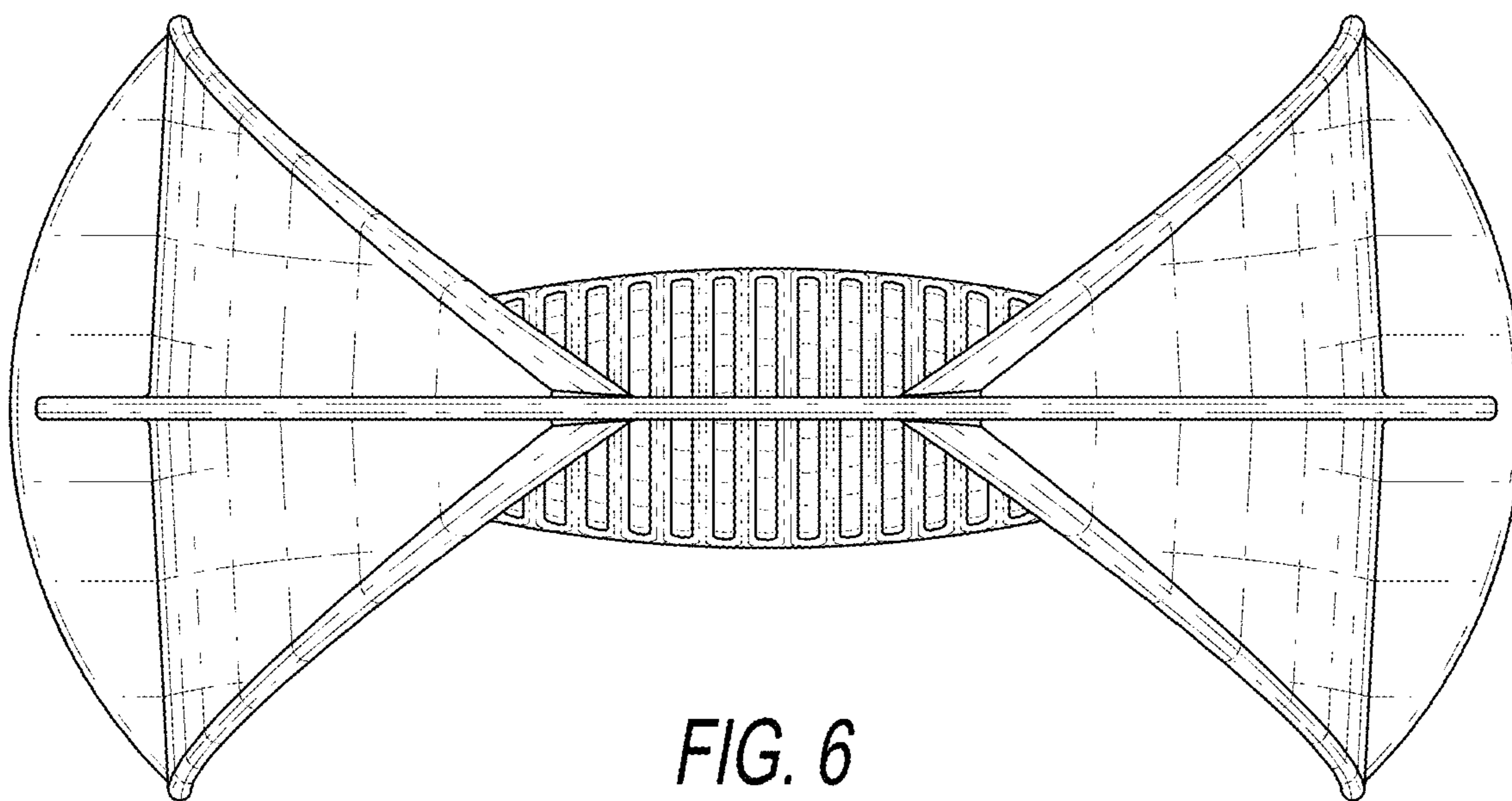


FIG. 6

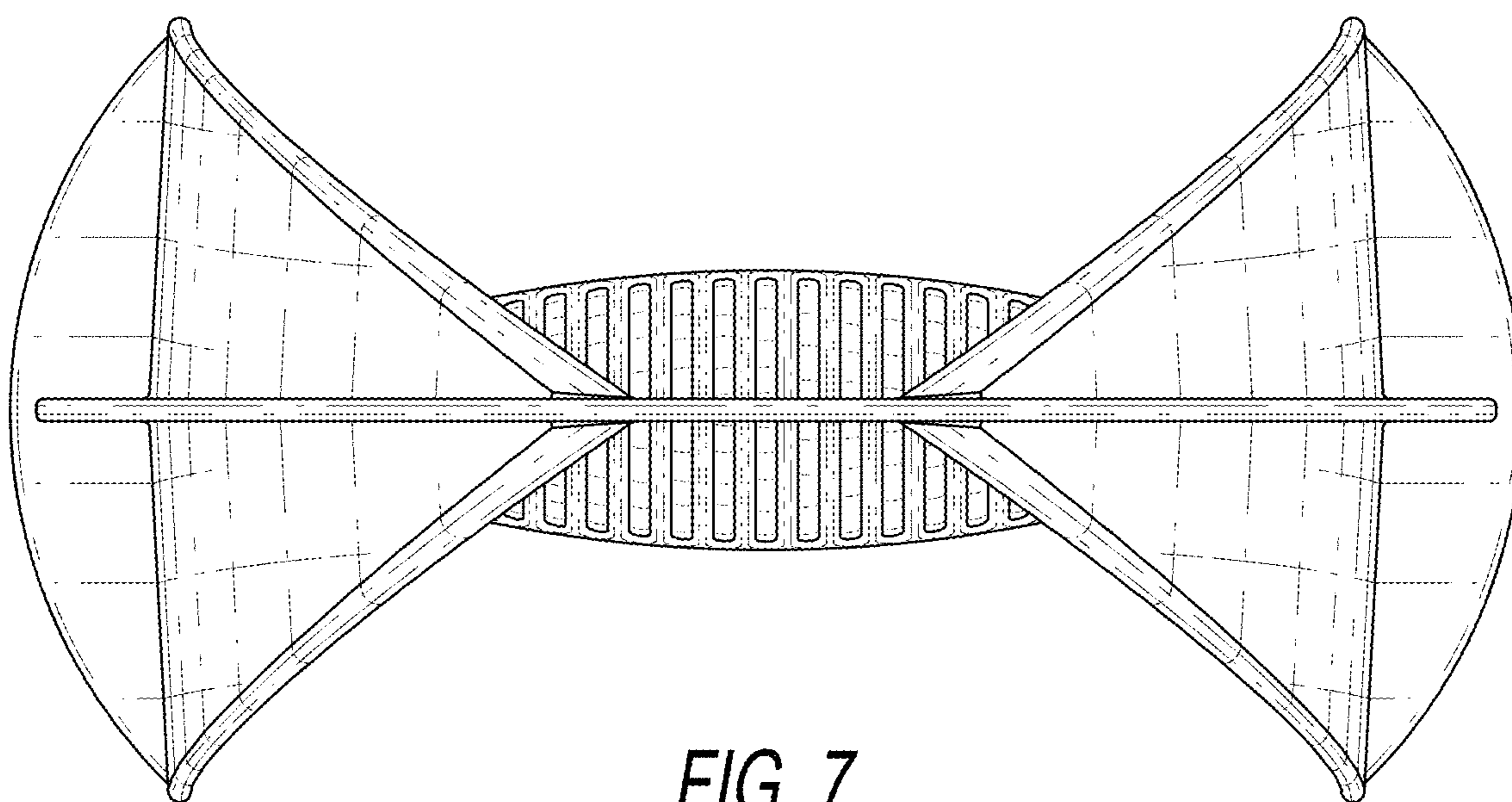


FIG. 7

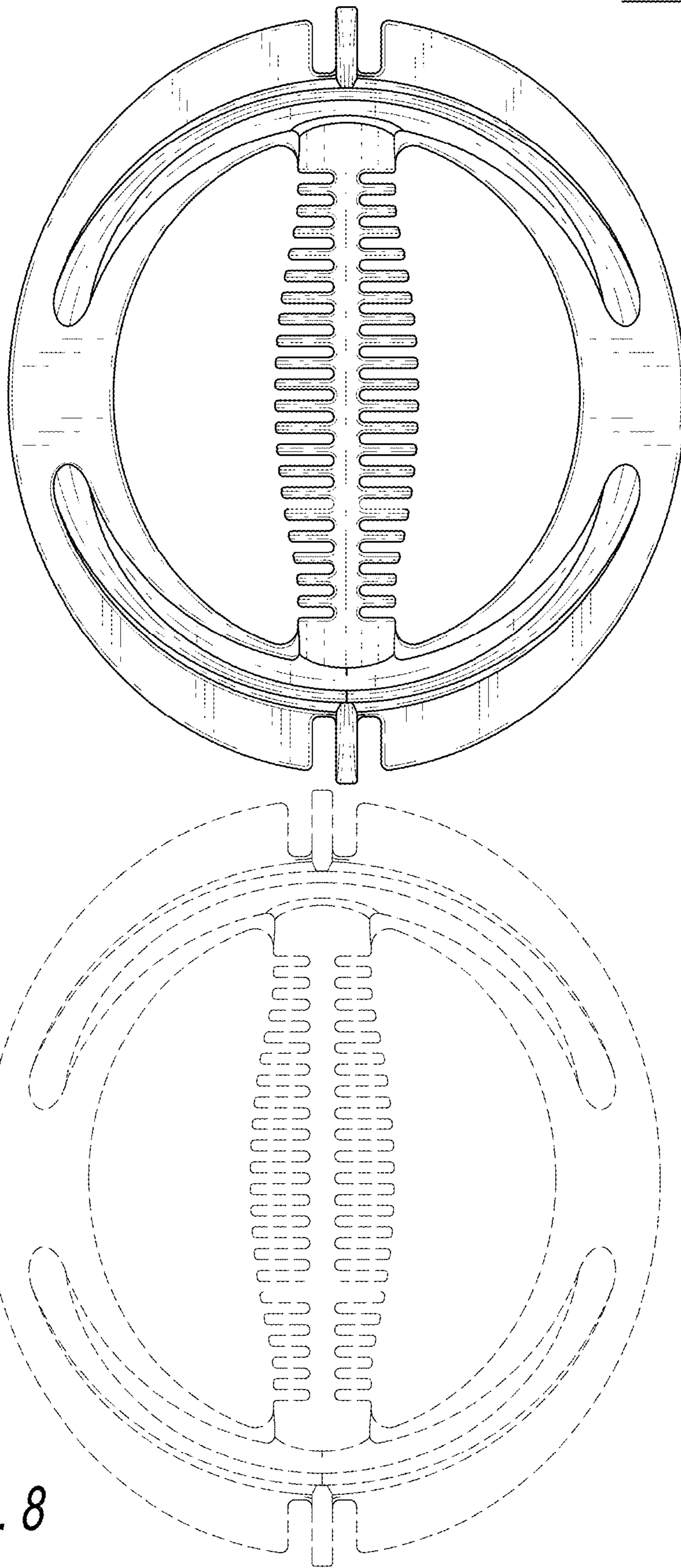


FIG. 8

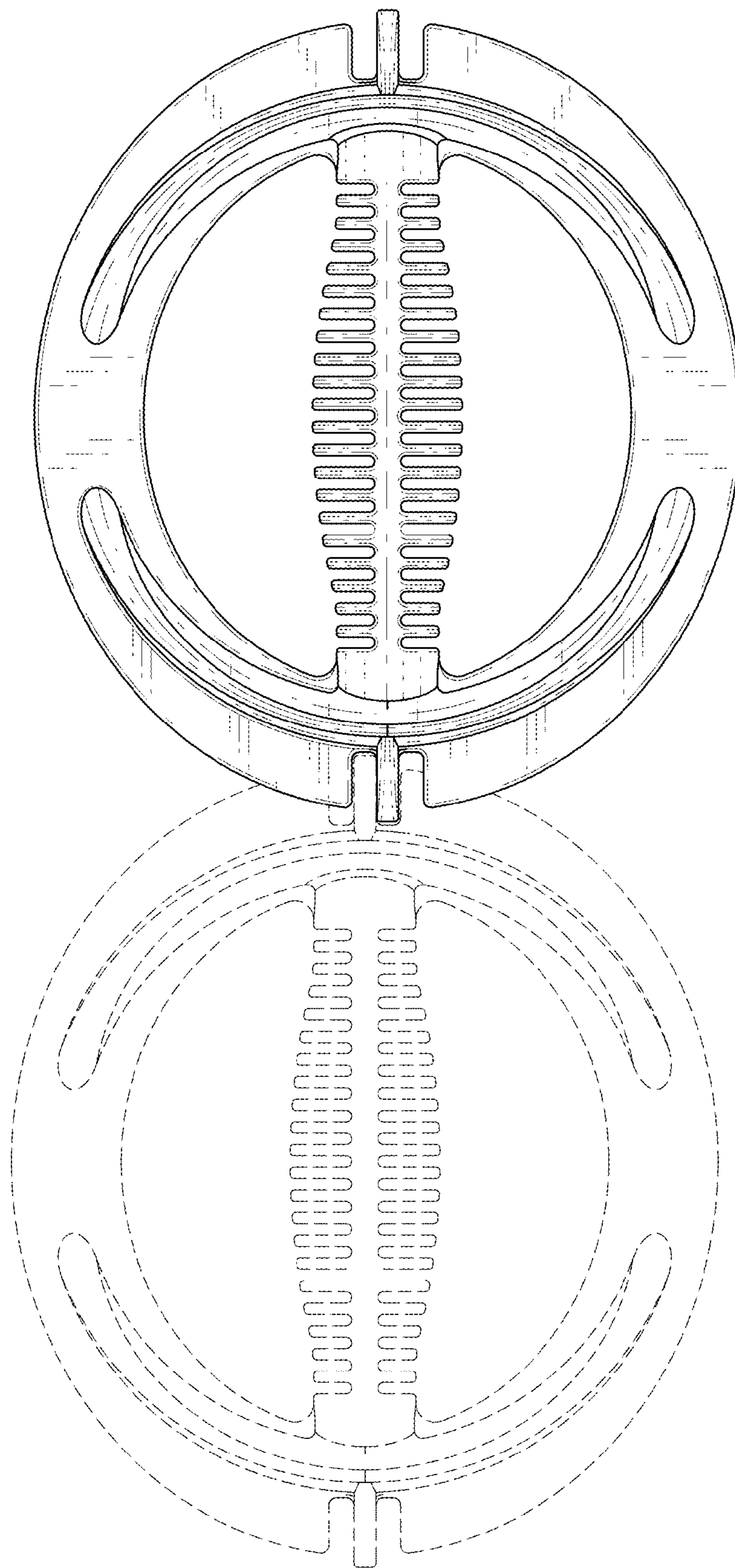


FIG. 9