



US00D887501S

(12) **United States Design Patent** (10) **Patent No.:** **US D887,501 S**
Zhan et al. (45) **Date of Patent:** **** Jun. 16, 2020**

(54) **TOY FIGURE**
(71) Applicant: **GuangDong Qman Culture Communication Co., Ltd.**, Guangzhou (CN)

D753,241 S * 4/2016 Jaensch D21/621
D760,329 S * 6/2016 Croston D21/621
D831,130 S * 10/2018 Davis D21/621
D842,396 S * 3/2019 Vezina D21/621
D845,403 S * 4/2019 Davies D21/621
D864,314 S * 10/2019 Kim D21/621

(72) Inventors: **Junyan Zhan**, Guangzhou (CN);
Tiexin Chen, Guangzhou (CN)
(73) Assignee: **GUANGDONG QMAN CULTURE COMMUNICATION CO., LTD.**, Guangzhou (CN)

FOREIGN PATENT DOCUMENTS

CN 2016303675070 2/2017
CN 2017301203671 10/2017
CN 201830088683X 4/2018

* cited by examiner

(**) Term: **15 Years**

Primary Examiner — Zenia I Bennett

(21) Appl. No.: **29/678,724**

(74) *Attorney, Agent, or Firm* — Platinum Intellectual Property LLP

(22) Filed: **Jan. 30, 2019**

(51) **LOC (12) Cl.** **21-01**

(57) **CLAIM**

(52) **U.S. Cl.**
USPC **D21/621**

The ornamental design for a toy figure, as shown and described.

(58) **Field of Classification Search**
USPC D21/621, 623, 627, 630, 658, 659, 661;
D19/59

DESCRIPTION

CPC A63H 3/00–31
See application file for complete search history.

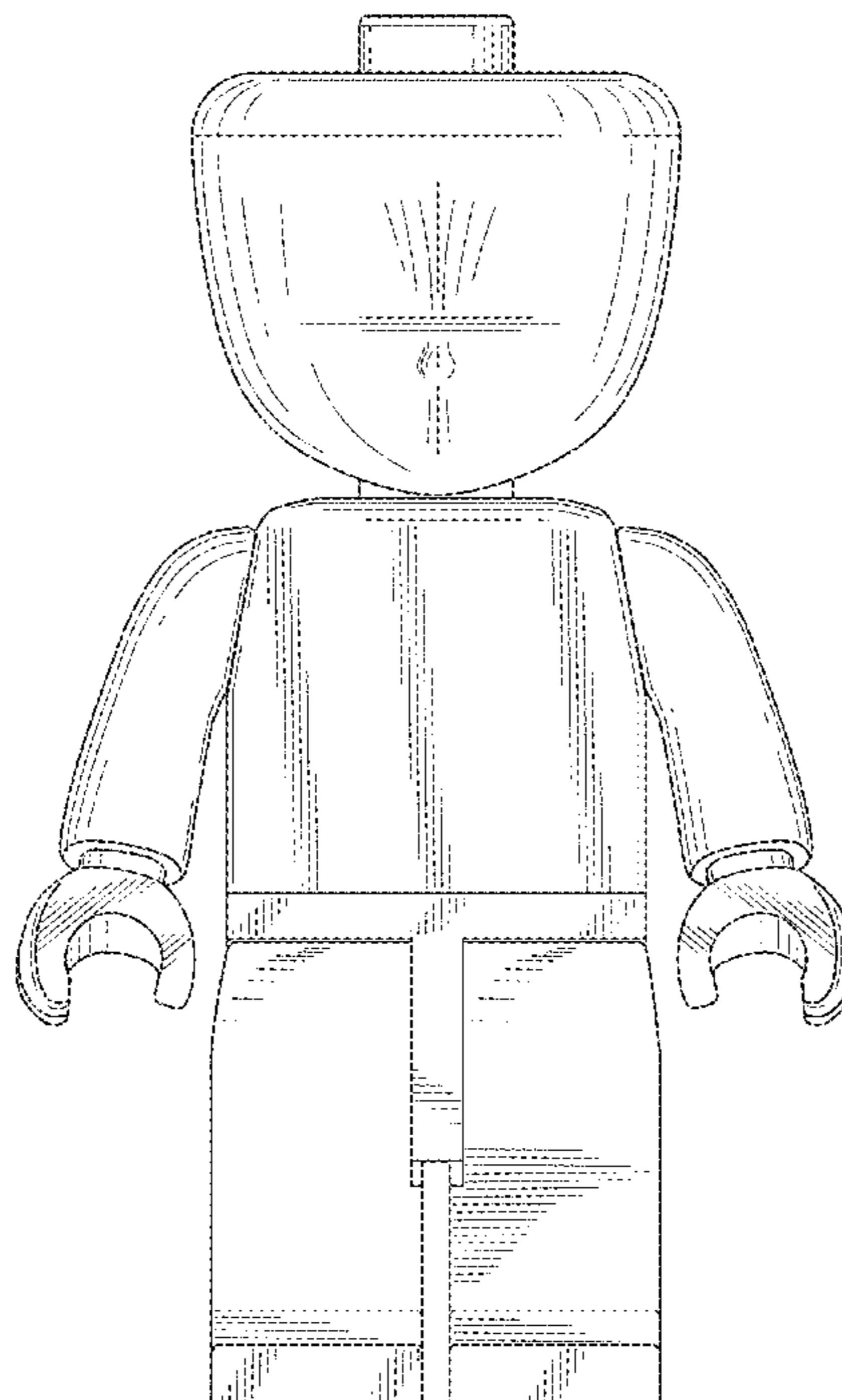
FIG. 1 is a front-elevational of a toy figure according to one embodiment of the claimed design;
FIG. 2 is a rear-elevational view thereof;
FIG. 3 is a first side elevational view thereof;
FIG. 4 is a second side elevational view thereof;
FIG. 5 is a top plan view thereof;
FIG. 6 is a bottom plan view thereof; and,
FIG. 7 is a perspective view thereof.
Broken lines (if any) showing the environment in any figures are for illustrative purposes only and form no part of the claimed design.

(56) **References Cited**

U.S. PATENT DOCUMENTS

D253,711 S * 12/1979 Christiansen D21/621
D278,735 S * 5/1985 Nielsen D21/621
D352,078 S * 11/1994 Bertrand D21/621
D539,364 S * 3/2007 Sofussen D21/621
D680,598 S * 4/2013 Geller D21/621
D682,367 S * 5/2013 Pilgaard D21/621
D689,567 S * 9/2013 Pilgaard D21/621
D738,966 S * 9/2015 Chen D21/621

1 Claim, 7 Drawing Sheets



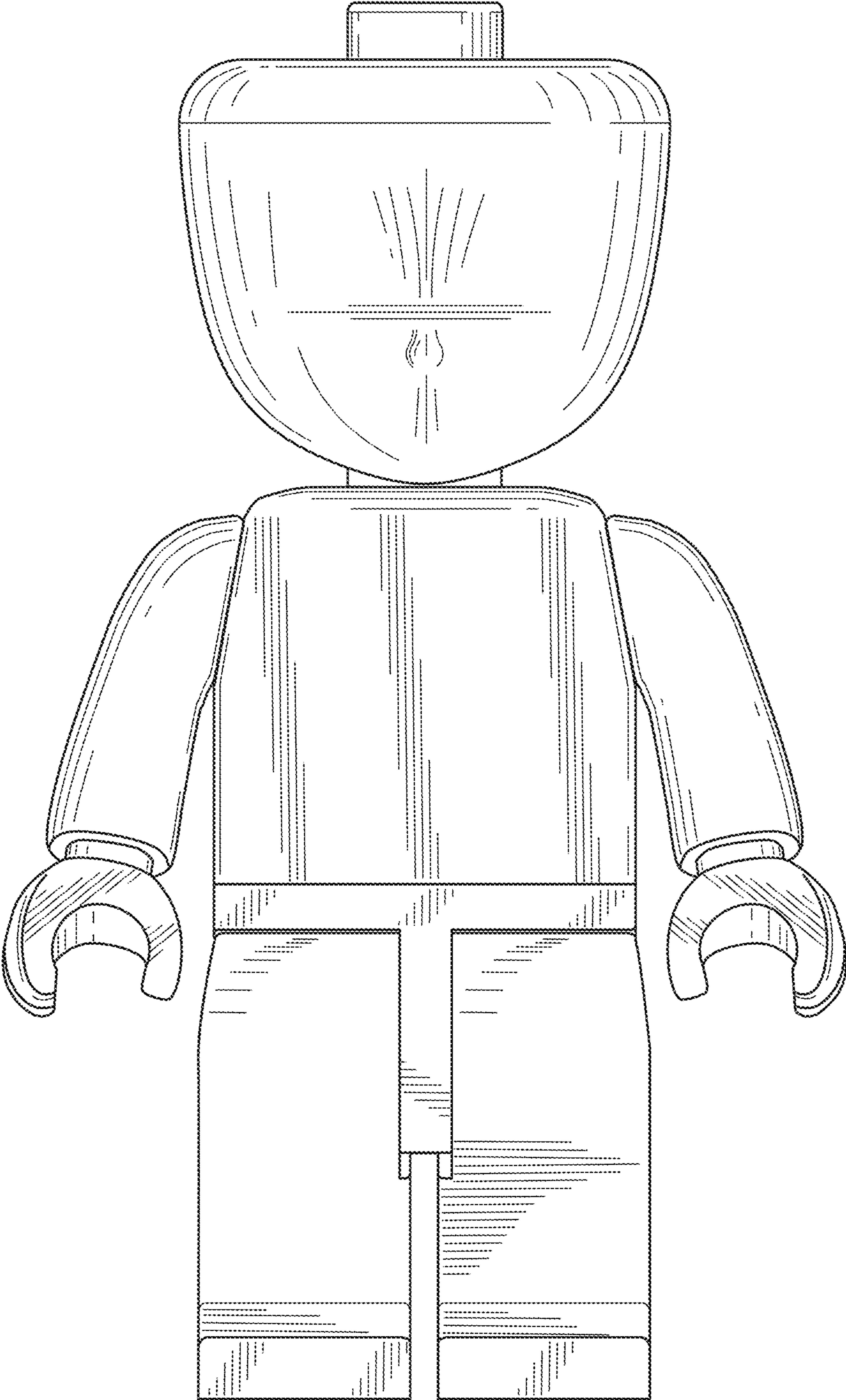


FIG. 1

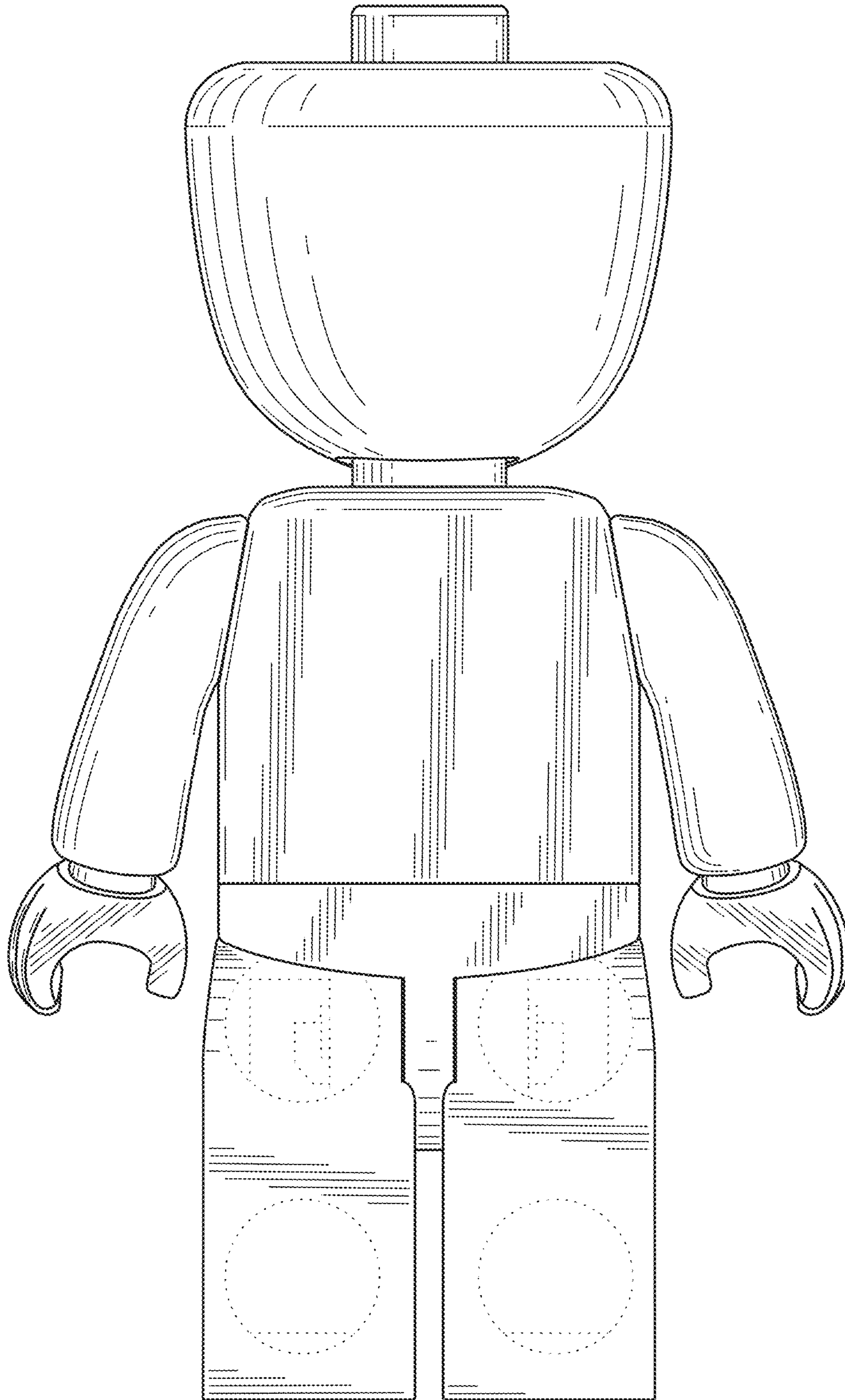


FIG. 2

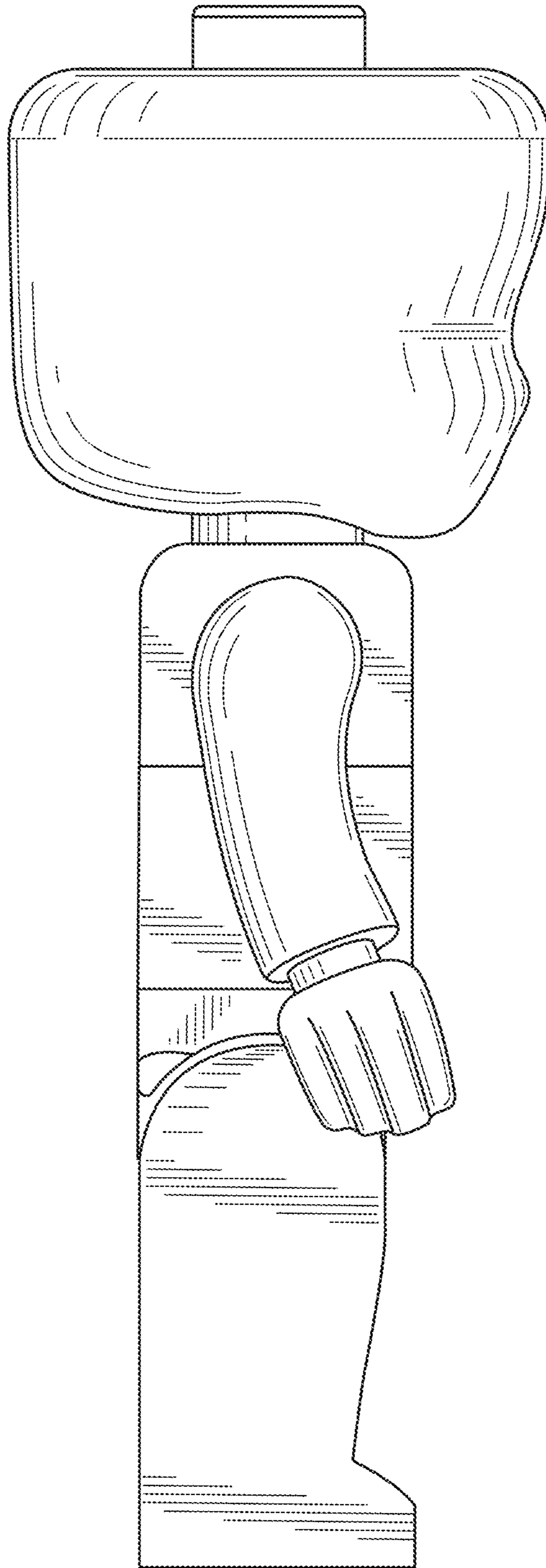


FIG. 3

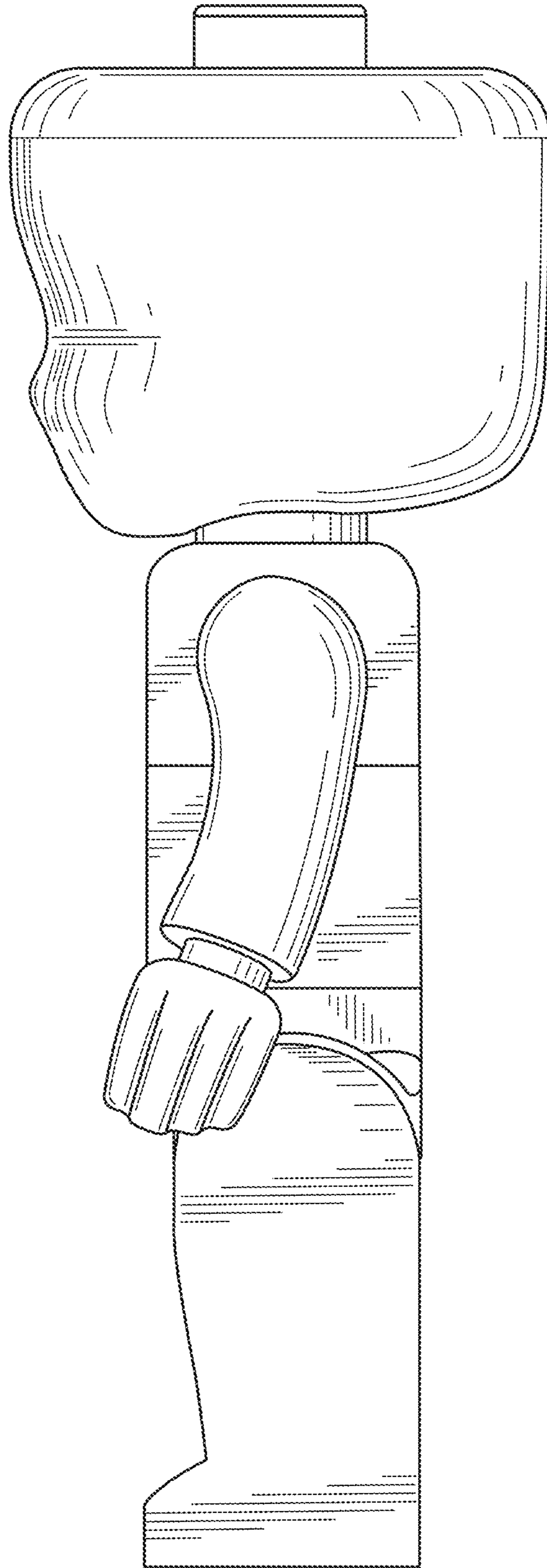


FIG. 4

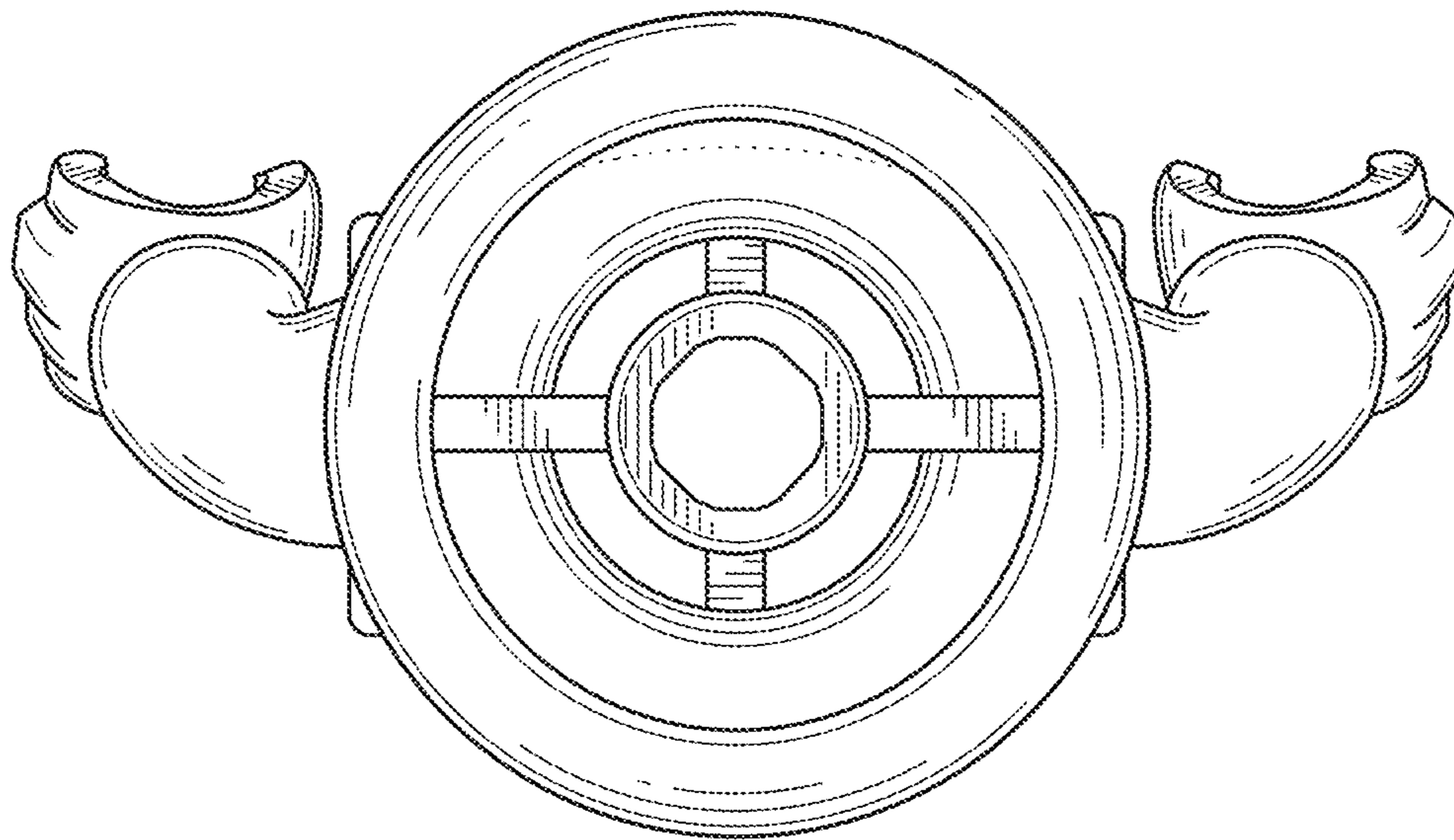


FIG. 5

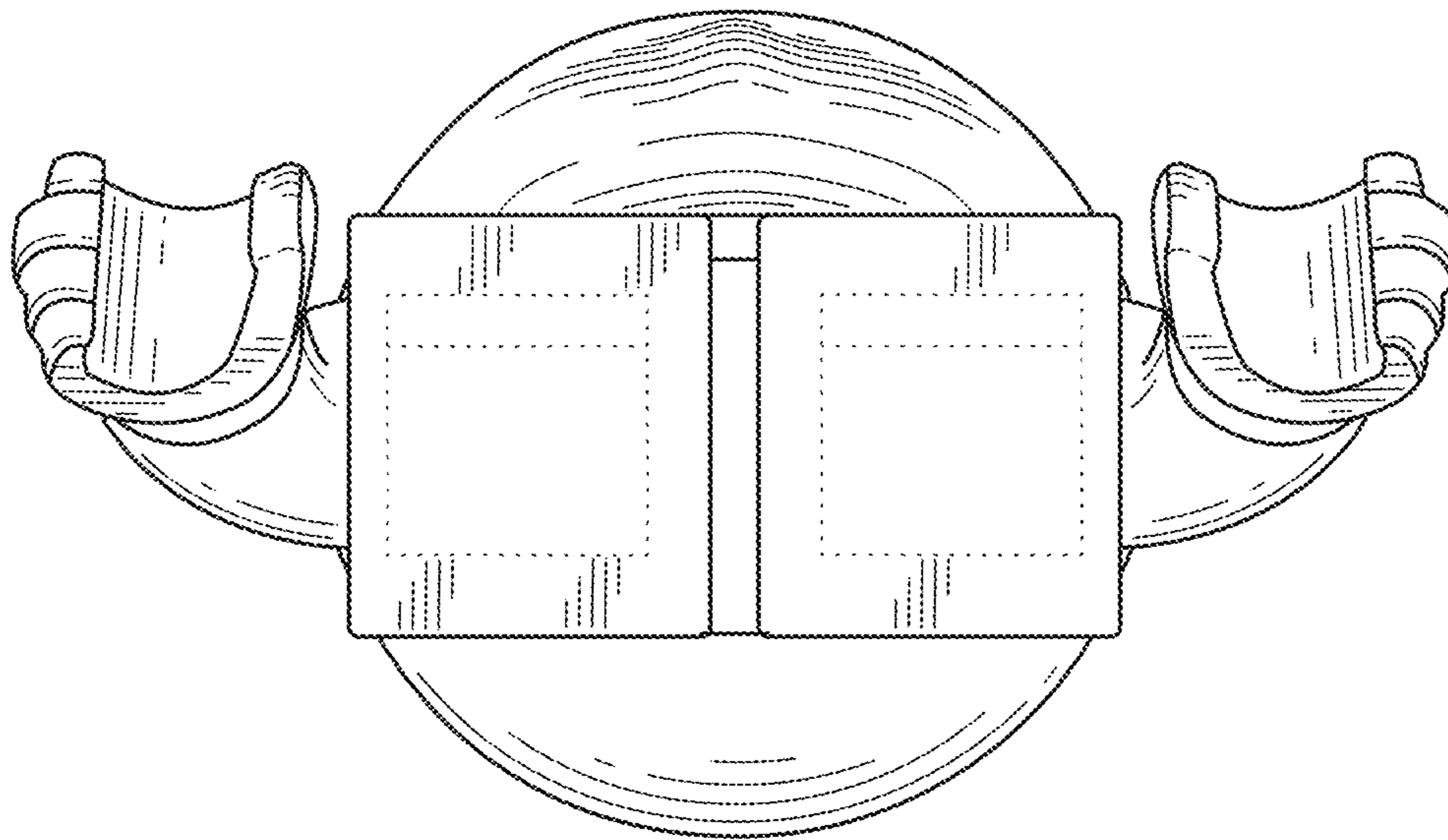


FIG. 6

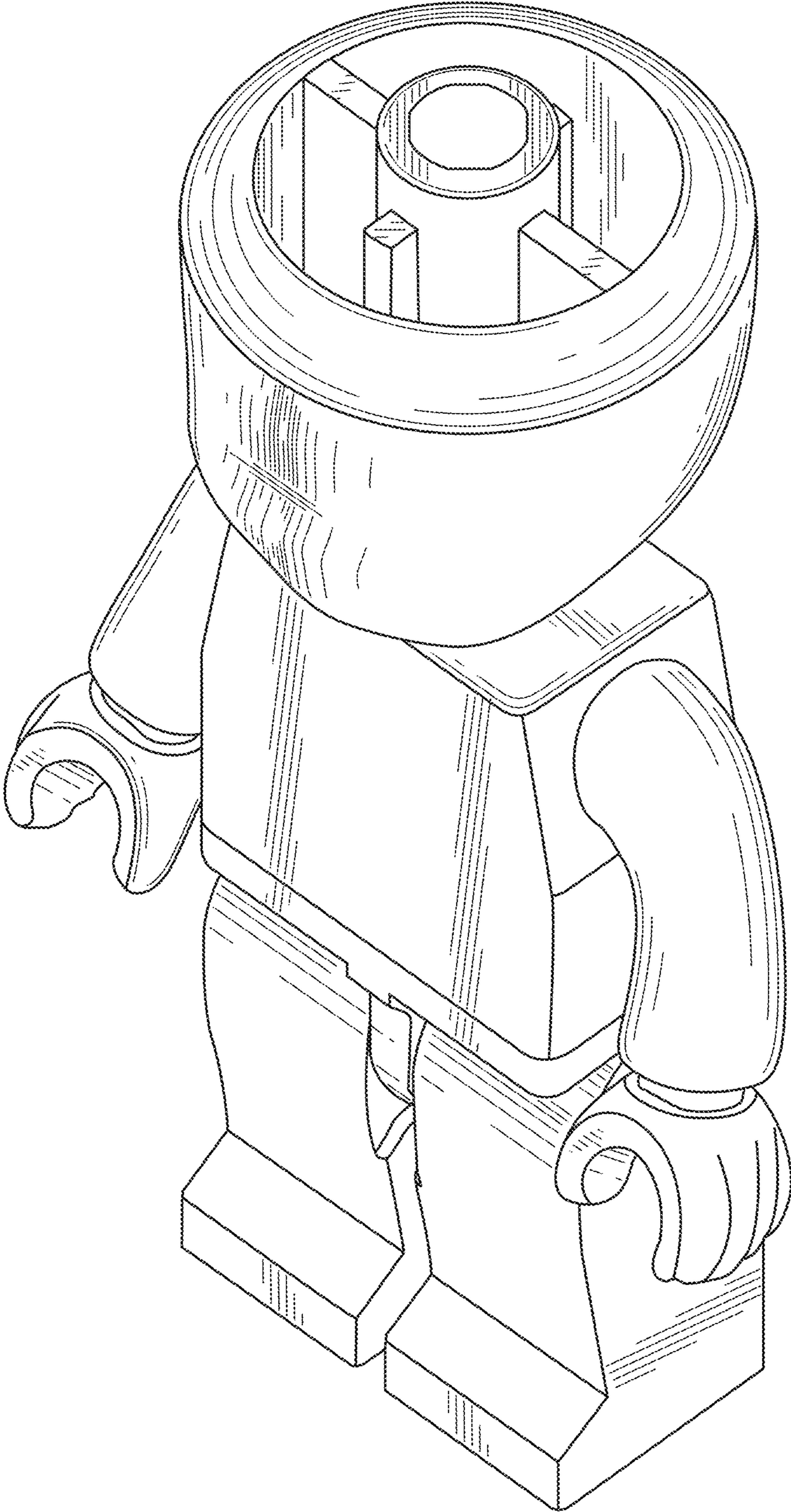


FIG. 7