



US00D887500S

(12) **United States Design Patent**
Chen et al.

(10) **Patent No.:** **US D887,500 S**
(45) **Date of Patent:** **** Jun. 16, 2020**

- (54) **TOY BLOCK**
- (71) Applicant: **Flycatcher Corp LTD**, London (GB)
- (72) Inventors: **Shay Chen**, Hod Hasharon (IL);
Shachar Limor, Givat Shapira (IL)
- (73) Assignee: **FLYCATCHER CORP LTD**, London (GB)
- (**) Term: **15 Years**
- (21) Appl. No.: **29/636,277**
- (22) Filed: **Feb. 7, 2018**
- (51) **LOC (12) Cl.** **21-01**
- (52) **U.S. Cl.**
USPC **D21/505**
- (58) **Field of Classification Search**
USPC D21/468, 470, 471, 478, 479, 484-505
CPC A63H 33/04; A63H 33/044; A63H 33/06;
A63H 33/062; A63H 33/10; A63H
33/101; A63H 33/108
See application file for complete search history.

(56) **References Cited**

U.S. PATENT DOCUMENTS

3,034,254	A *	5/1962	Christiansen	A63H 33/086	446/128
D272,255	S *	1/1984	Chatani		D21/502
D285,705	S *	9/1986	Dideriksen		D21/505
4,964,833	A	10/1990	Suzuki		
D312,105	S *	11/1990	Olsen		D21/497
D315,381	S *	3/1991	Meyer		D21/505
D316,430	S *	4/1991	Andersen		D21/505
D318,077	S *	7/1991	Larsen		D21/505
D318,696	S *	7/1991	Hoyer		D21/503
D335,160	S *	4/1993	Knudsen		D21/505
D343,426	S *	1/1994	Sher		446/128
D352,077	S *	11/1994	Sher		D21/505
D359,997	S *	7/1995	Knudsen		D21/505

D368,939	S	4/1996	Frederiksen		
D546,899	S *	7/2007	Sorensen		D21/484
D641,054	S *	7/2011	Clausen		D21/503
D680,176	S *	4/2013	Chin		D21/495
D689,559	S *	9/2013	Klitsch		D21/505
8,616,899	B1	12/2013	Lin		
8,715,030	B2	5/2014	Chin		
D714,401	S	9/2014	Lin		
D721,406	S *	1/2015	Webb		D21/484
D749,680	S	2/2016	Lin		
D753,774	S *	4/2016	Proulx		D21/505
D758,502	S *	6/2016	Sorensen		D21/505
9,457,287	B1 *	10/2016	Lin		A63H 33/042
9,593,480	B2	3/2017	Vandenbempt		
D786,985	S *	5/2017	Ramiere		D21/505
D789,459	S *	6/2017	Ramiere		D21/505
9,841,180	B1 *	12/2017	Lin		F21V 15/01
D818,056	S	5/2018	Lo		
D849,853	S *	5/2019	Chen		D21/499

(Continued)

Primary Examiner — Cynthia M. Chin

(74) *Attorney, Agent, or Firm* — Michael J. Feigin, Esq.;
Feigin and Fridman LLC

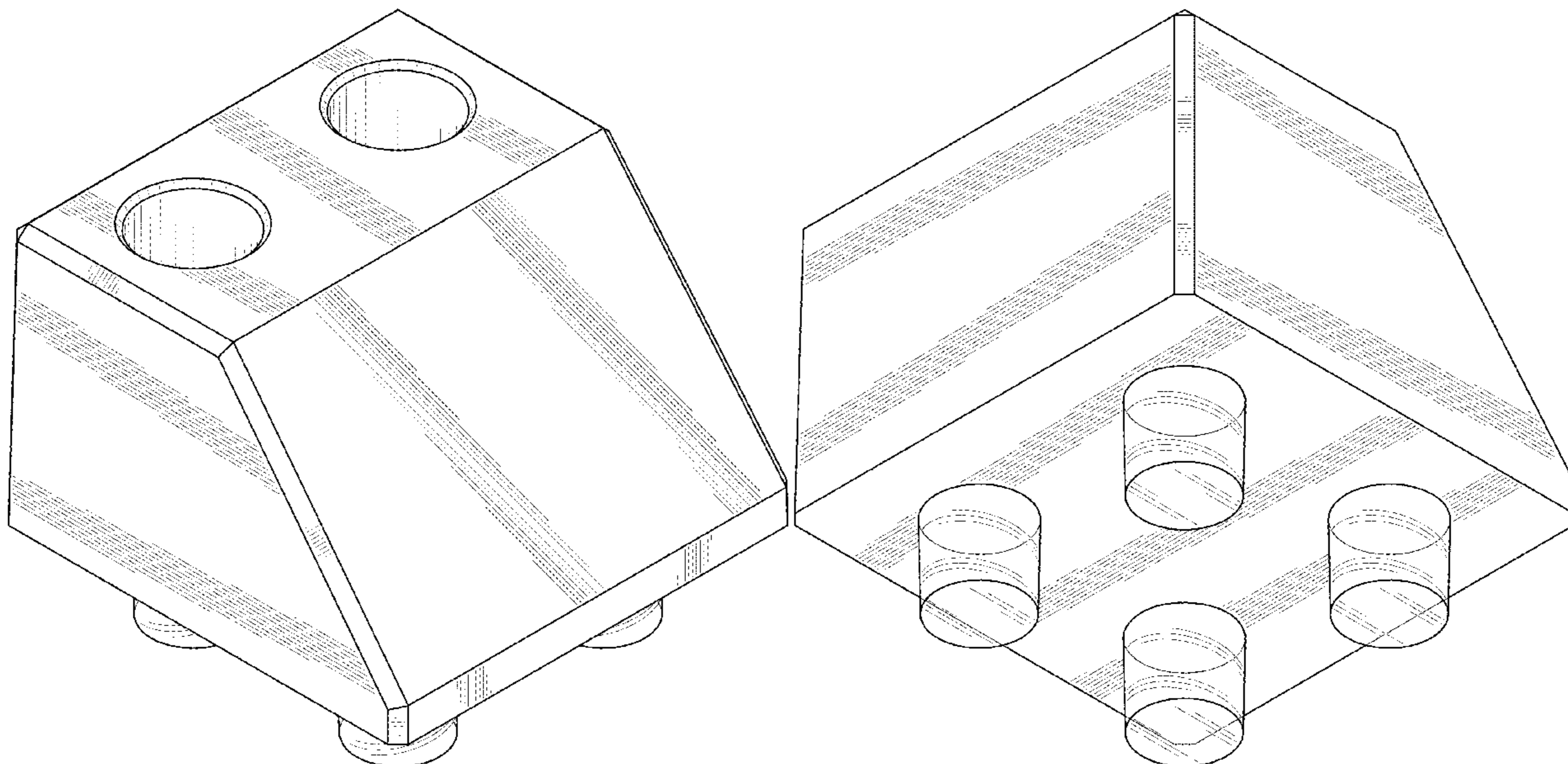
(57) **CLAIM**

The ornamental design for a toy block, as shown and described.

DESCRIPTION

FIG. 1 shows a top and side perspective view of the toy block.
 FIG. 2 shows a bottom and side perspective thereof.
 FIG. 3 shows a top view thereof.
 FIG. 4 shows a bottom view thereof.
 FIG. 5 shows a first side view thereof.
 FIG. 6 shows a second side view thereof; and,
 FIG. 7 shows a third side view thereof, the reverse side being a mirror image thereof.
 FIG. 8 shows a cutaway view along section line 8-8 of FIG. 3.

1 Claim, 8 Drawing Sheets



(56)

References Cited

U.S. PATENT DOCUMENTS

2004/0185745 A1 9/2004 Reining
2011/0021107 A1* 1/2011 Nag A63H 33/042
446/91
2012/0252307 A1 10/2012 Lin
2013/0109268 A1* 5/2013 Lin A63H 33/042
446/91
2018/0056205 A1* 3/2018 Lu F21V 23/06

* cited by examiner

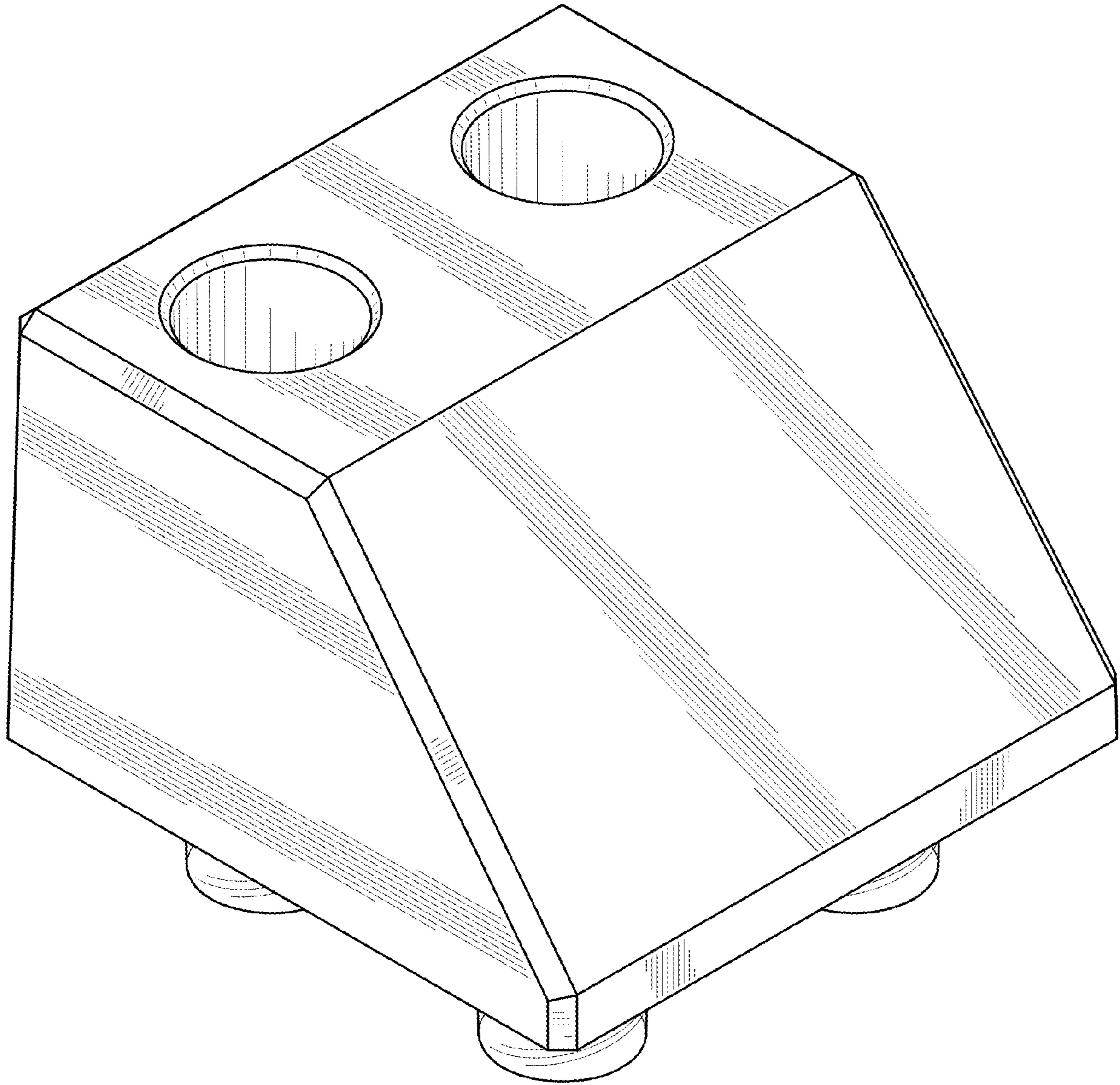


FIG. 1

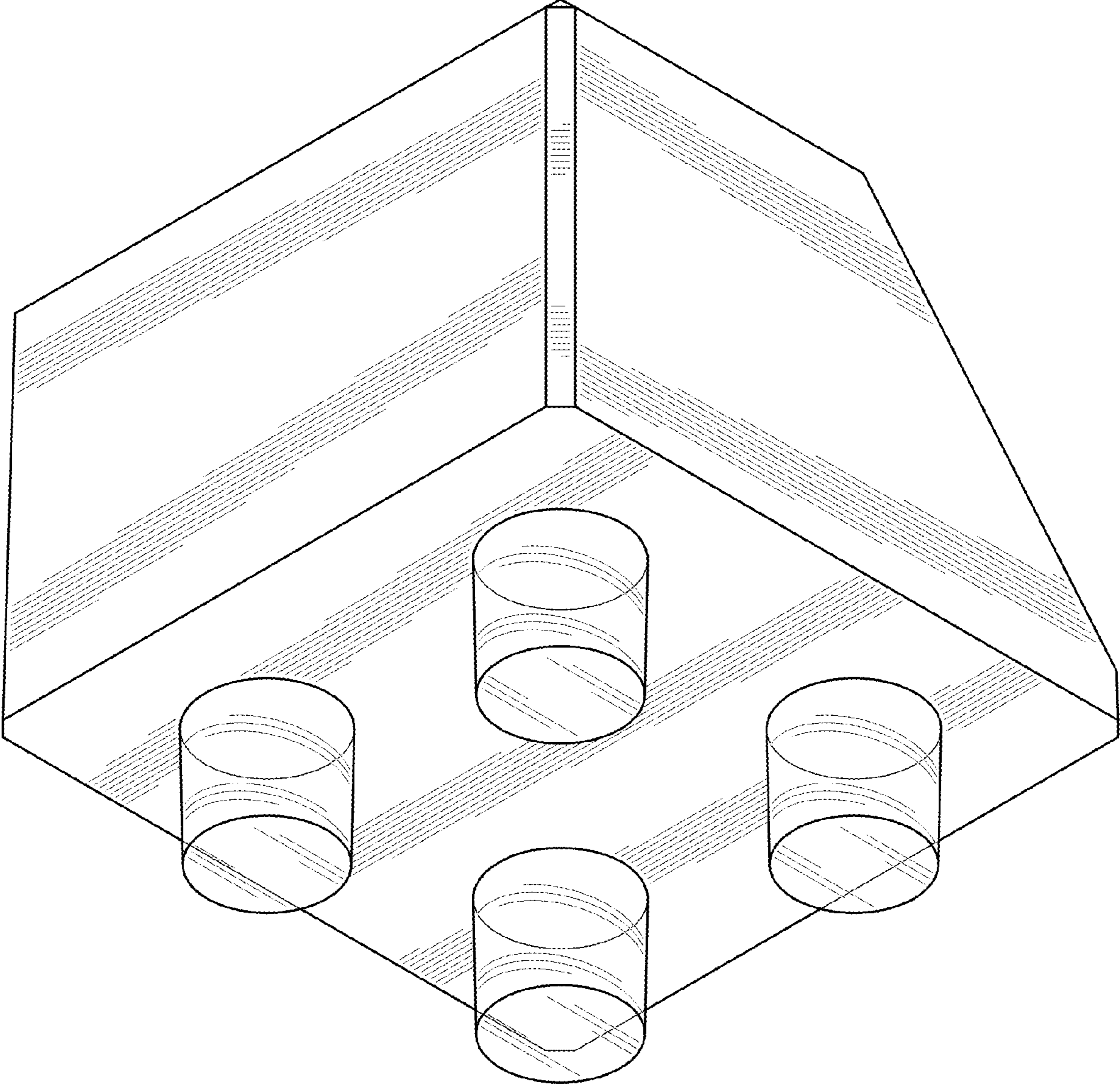


FIG. 2

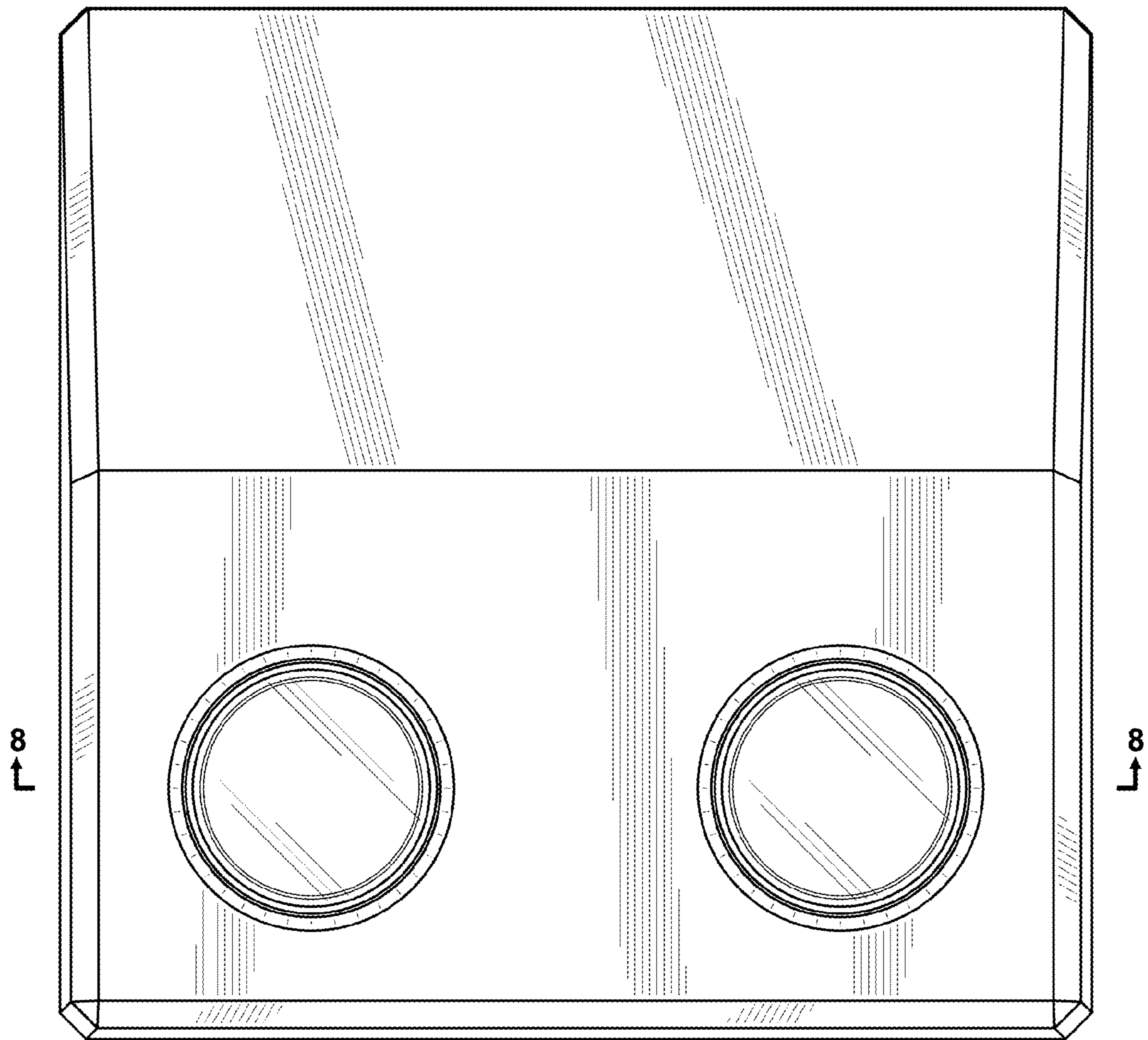


FIG. 3

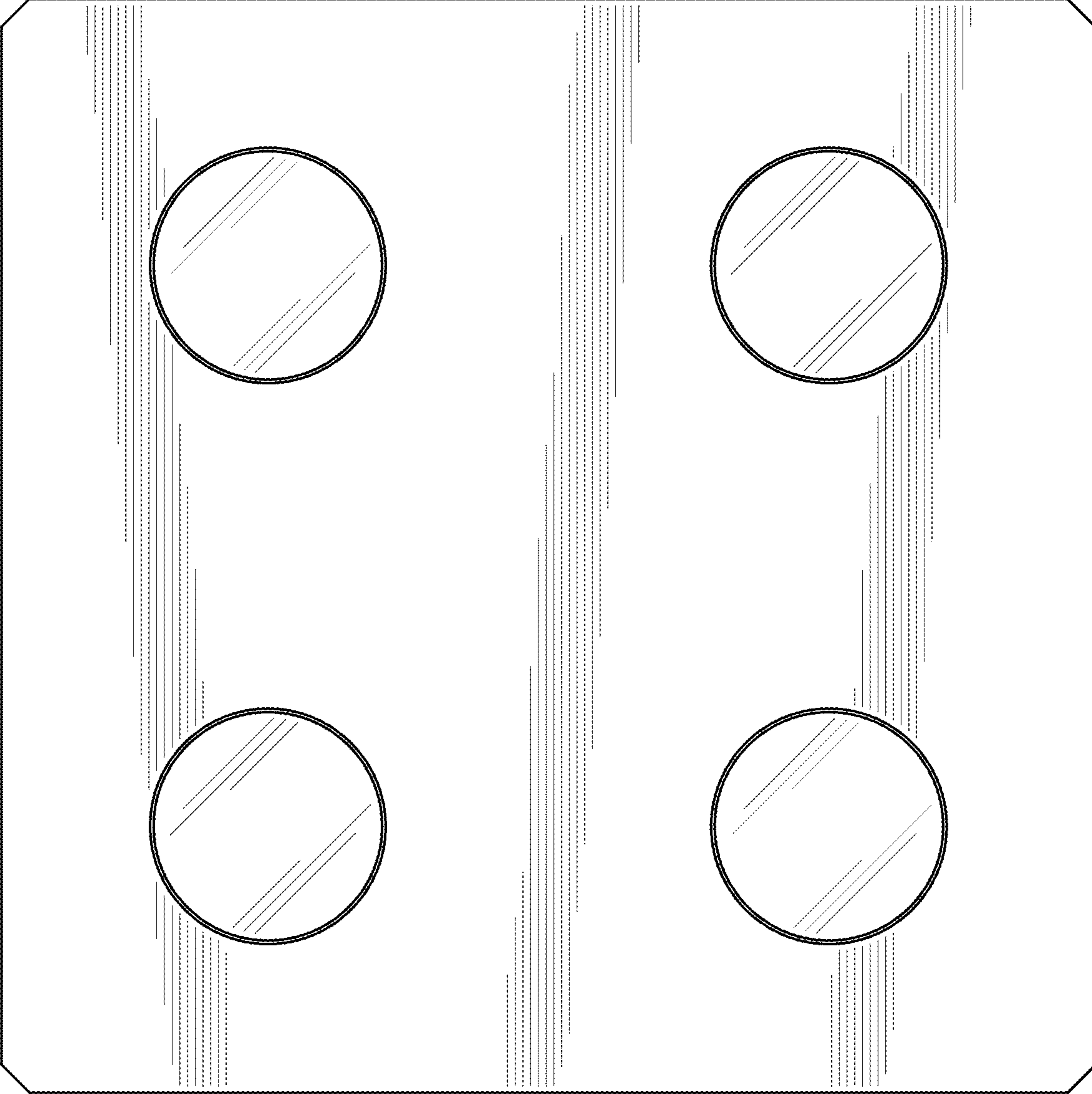


FIG. 4

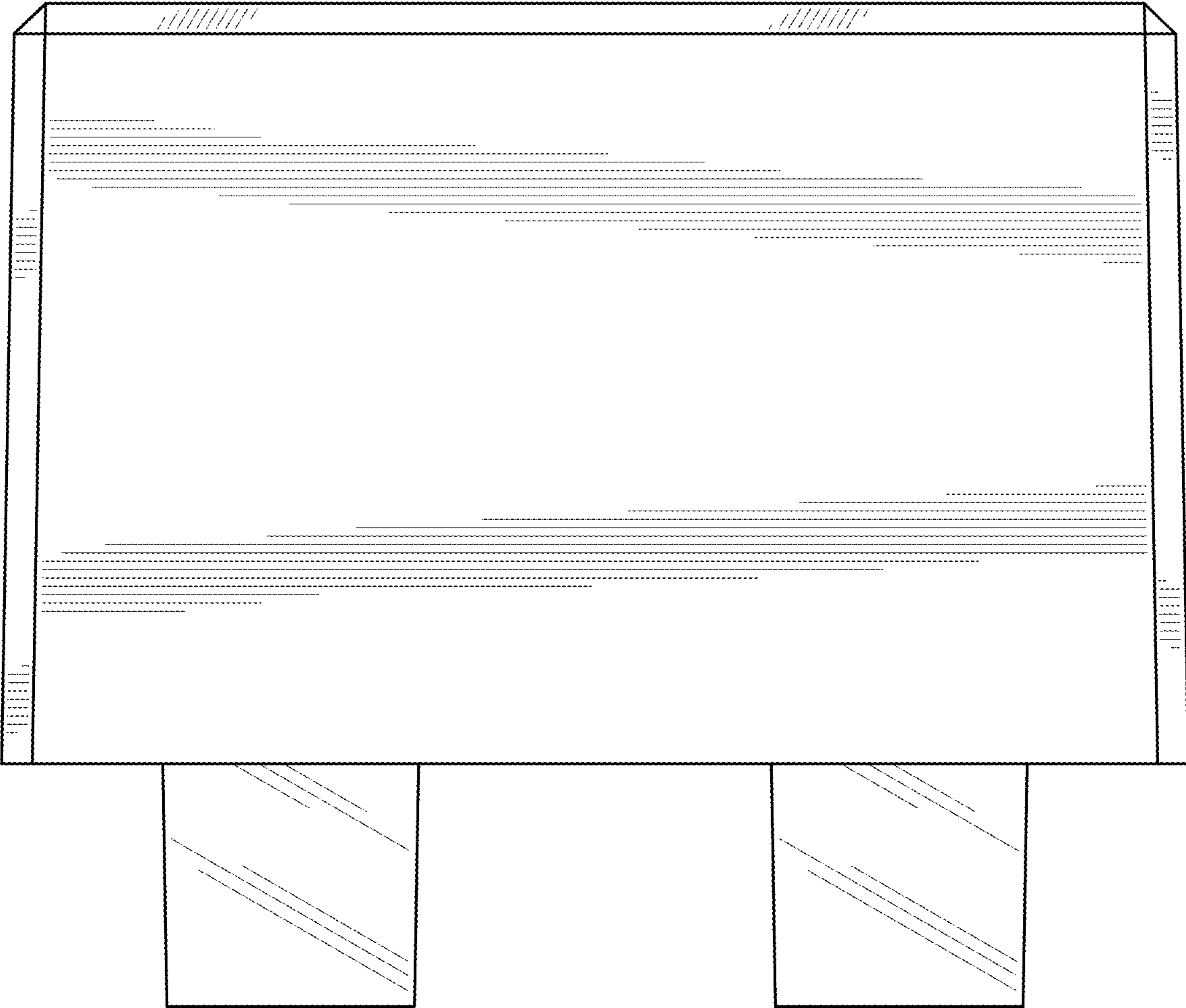


FIG. 5

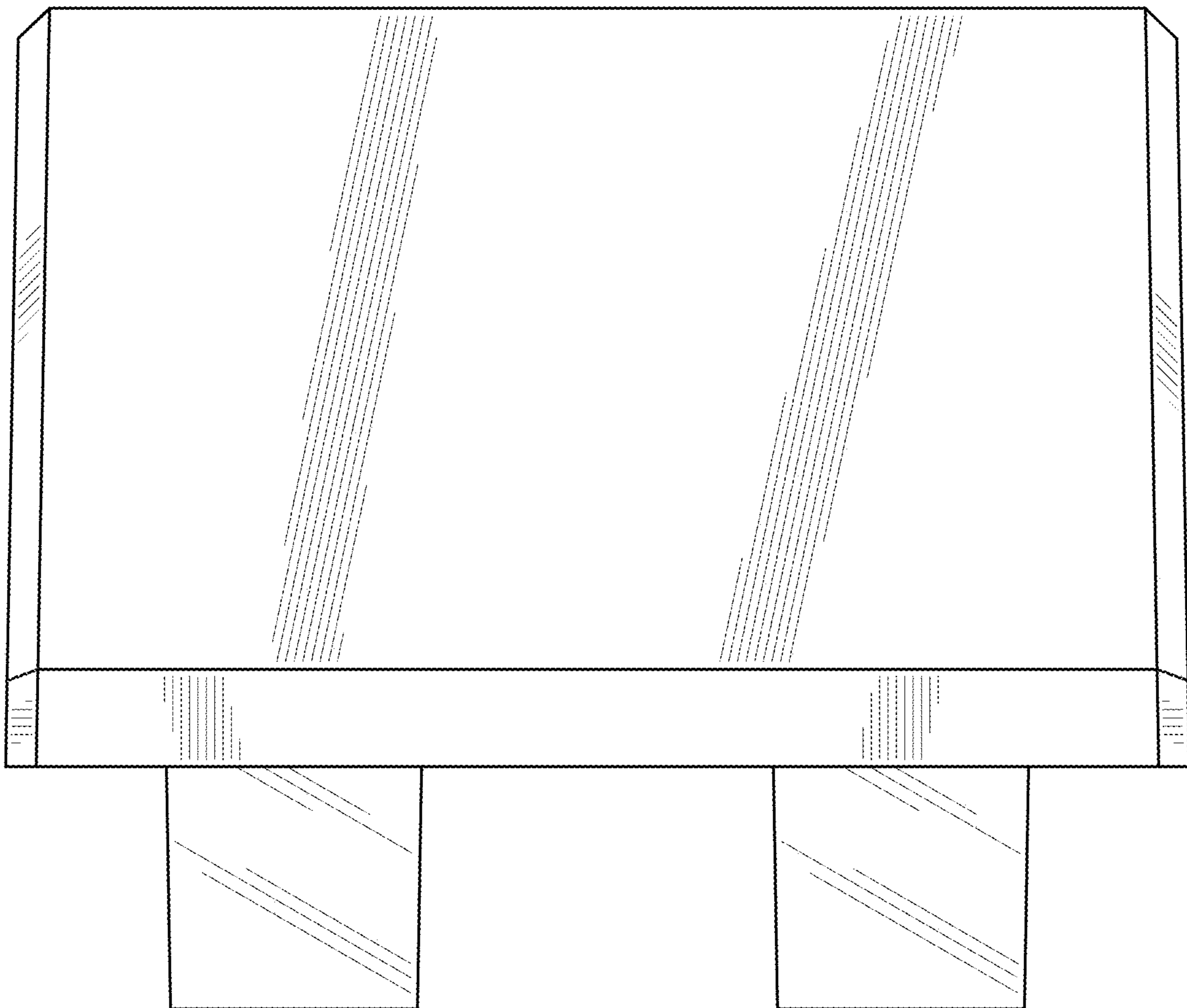


FIG. 6

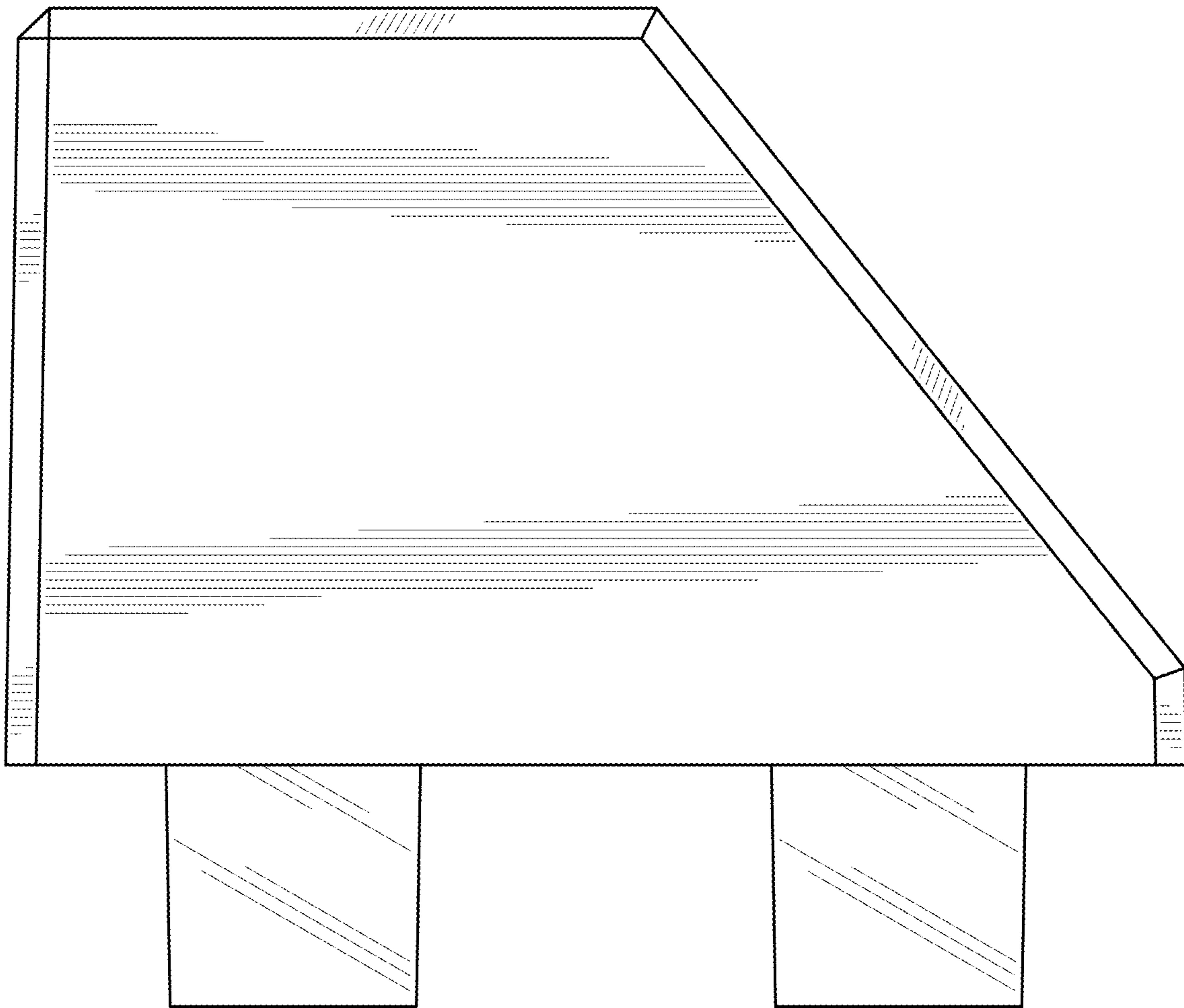


FIG. 7

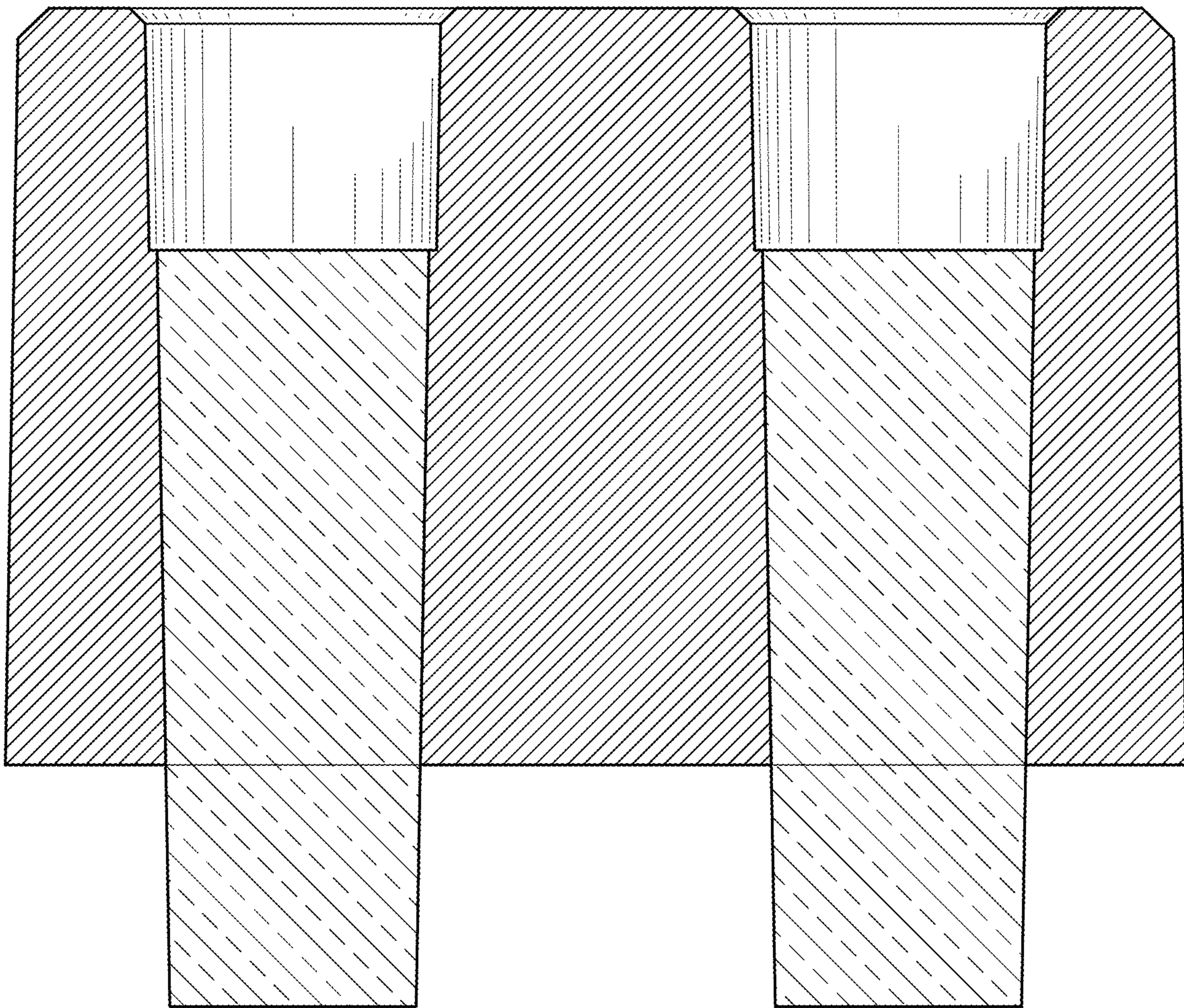


FIG. 8