



US00D887499S

(12) **United States Design Patent** (10) **Patent No.:** **US D887,499 S**
Manovi et al. (45) **Date of Patent:** **** Jun. 16, 2020**

(54) **BUILDING ELEMENT FOR A TOY BUILDING SET**

D183,027 S * 6/1958 Southwick D21/471
3,670,449 A * 6/1972 Lemkin A63H 33/088
446/102

(71) Applicant: **LEGO A/S**, Billund (DK)

D293,595 S * 1/1988 Berggreen D21/493
(Continued)

(72) Inventors: **Cerim Manovi**, Flensburg (DK); **Aske Klejnstrup Garling**, Vejle (DK); **Leonardo Francisco Lopez**, Billund (DK); **Jaime Sanchez Potter**, Billund (DK)

FOREIGN PATENT DOCUMENTS

GB 223834 A 10/1924
WO 2011057636 A1 5/2011

(73) Assignee: **LEGO A/S** (DK)

OTHER PUBLICATIONS

(**) Term: **15 Years**

The International Search Report and the Written Opinion of the International Searching Authority issued in related international application No. PCT/EP2019/060797, dated Jun. 17, 2019.

(21) Appl. No.: **29/667,571**

Primary Examiner — Cynthia M. Chin

(22) Filed: **Oct. 23, 2018**

(74) *Attorney, Agent, or Firm* — Day Pitney LLP

(30) **Foreign Application Priority Data**

(57) **CLAIM**

Apr. 26, 2018 (DK) DA 2018 00050

The ornamental design for a building element for a toy building set, as shown and described.

(51) **LOC (12) Cl.** **21-01**

DESCRIPTION

(52) **U.S. Cl.**
USPC **D21/493**; D21/460

(58) **Field of Classification Search**
USPC D21/386, 389, 404, 455, 459, 460, 468, D21/470, 471, 479, 484–505
CPC .. A63F 9/12; A63F 9/1204; A63F 2009/1236; A63F 2009/1248; A63F 2009/1208; A63F 2009/1288; A63F 2009/1292; A63H 33/04; A63H 33/044; A63H 1/00; A63B 67/16; A63B 67/165

FIG. 1 is a front elevational view of an ornamental design for building element for a toy building set;
FIG. 2 is a left side elevational view thereof;
FIG. 3 is a rear elevational view thereof;
FIG. 4 is a right side elevational view thereof;
FIG. 5 is a top plan view thereof;
FIG. 6 is a bottom plan view thereof;
FIG. 7 is a front cross-sectional view thereof, taken from 7-7 in FIG. 6;
FIG. 8 is a side cross-sectional view thereof, taken from 8-8 in FIG. 6;
FIG. 9 is a front perspective view thereof;
FIG. 10 is a bottom perspective view thereof; and,
FIG. 11 is a top perspective view thereof.
The broken lines in FIGS. 8 & 9 are for the purpose of illustrating portions of the article that form no part of the claim.

See application file for complete search history.

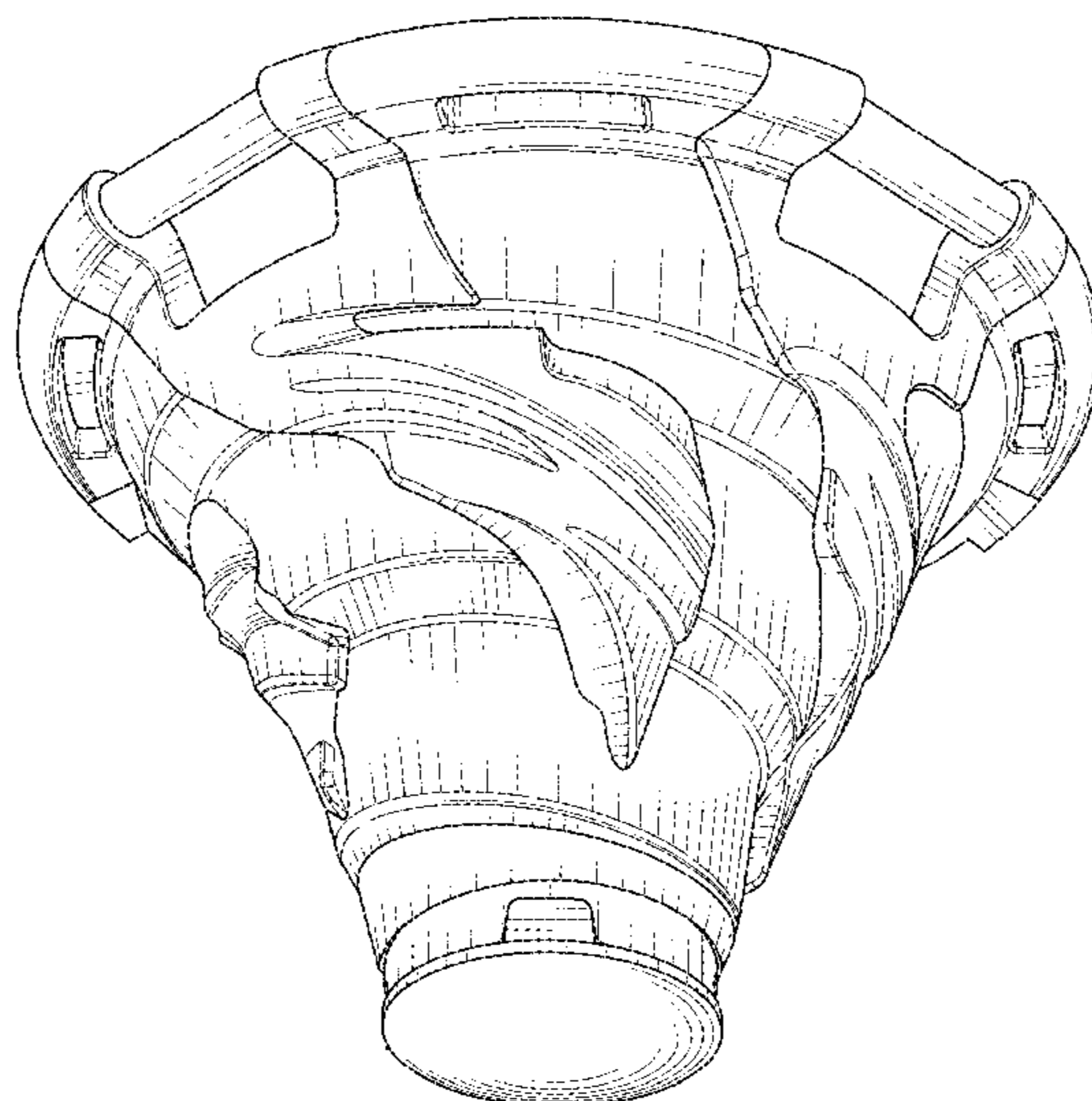
(56) **References Cited**

U.S. PATENT DOCUMENTS

907,421 A * 12/1908 Steinhardt et al.
A63F 3/00214
273/241

1,281,866 A 10/1918 Stahl

1 Claim, 11 Drawing Sheets



(56)

References Cited

U.S. PATENT DOCUMENTS

4,946,168	A *	8/1990	Fauls	A63F 3/001 273/241
D328,616	S *	8/1992	Elder	D21/336
5,494,292	A *	2/1996	Mileti	A63F 7/042 273/110
D395,682	S *	6/1998	Bartholdy	D21/484
D411,590	S *	6/1999	Blæsild	D21/486
D597,432	S *	8/2009	Auberger	D10/113.2
D599,416	S *	9/2009	Turco-Rivas	D21/471
D608,842	S *	1/2010	Nishimoto	D21/460
D720,408	S *	12/2014	Webb	D21/484
D765,183	S *	8/2016	Lowery	D21/336
D774,597	S *	12/2016	Lowery	D21/336
9,849,393	B2 *	12/2017	Muraki	A63H 1/00
D838,785	S *	1/2019	Wonner	D21/505
D854,095	S *	7/2019	Narita	D21/460
D862,606	S *	10/2019	Horikoshi	D21/460
D866,677	S *	11/2019	Horikoshi	D21/460
2017/0340978	A1	11/2017	Capusotto		

* cited by examiner

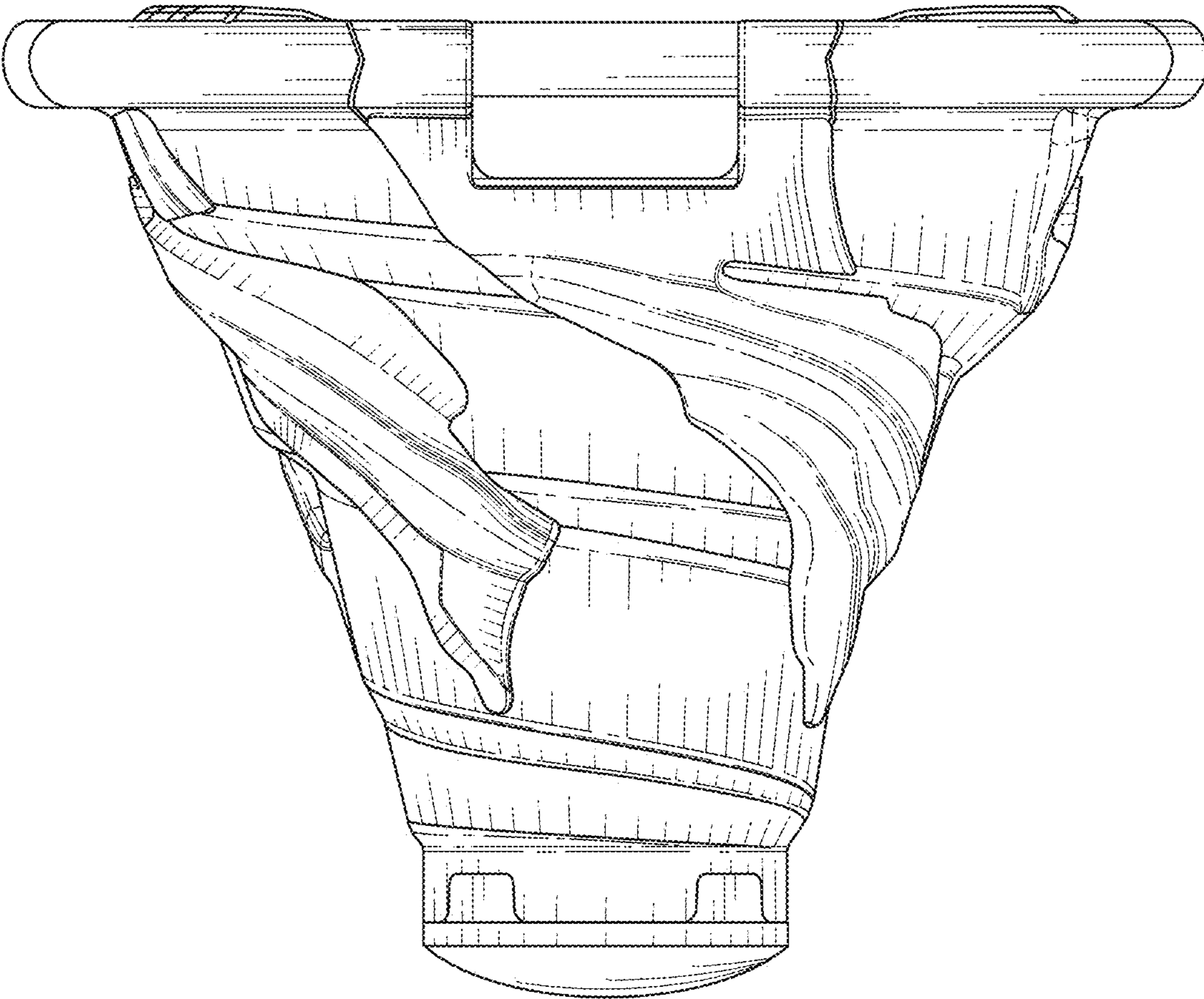


FIG. 1

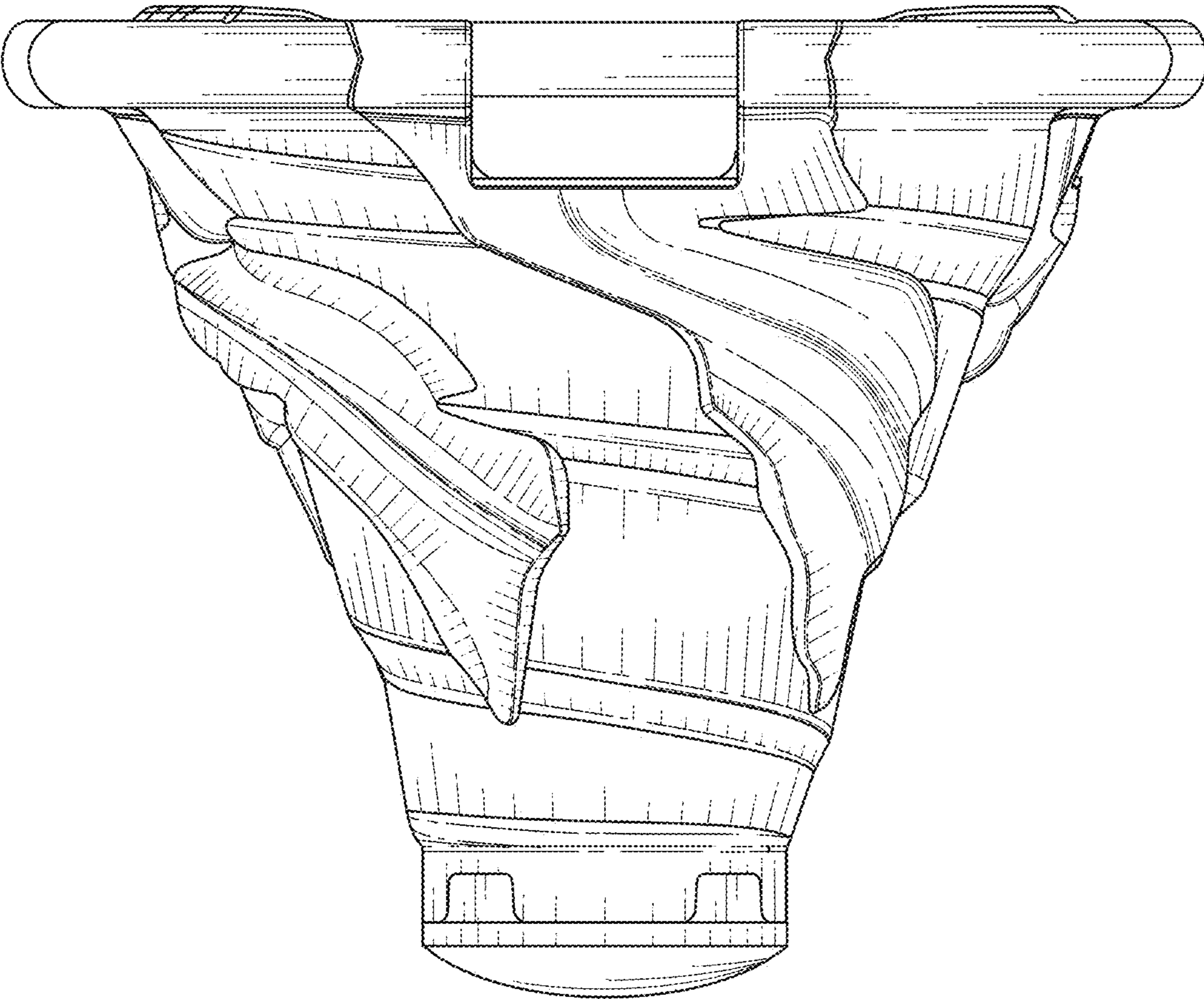


FIG. 2

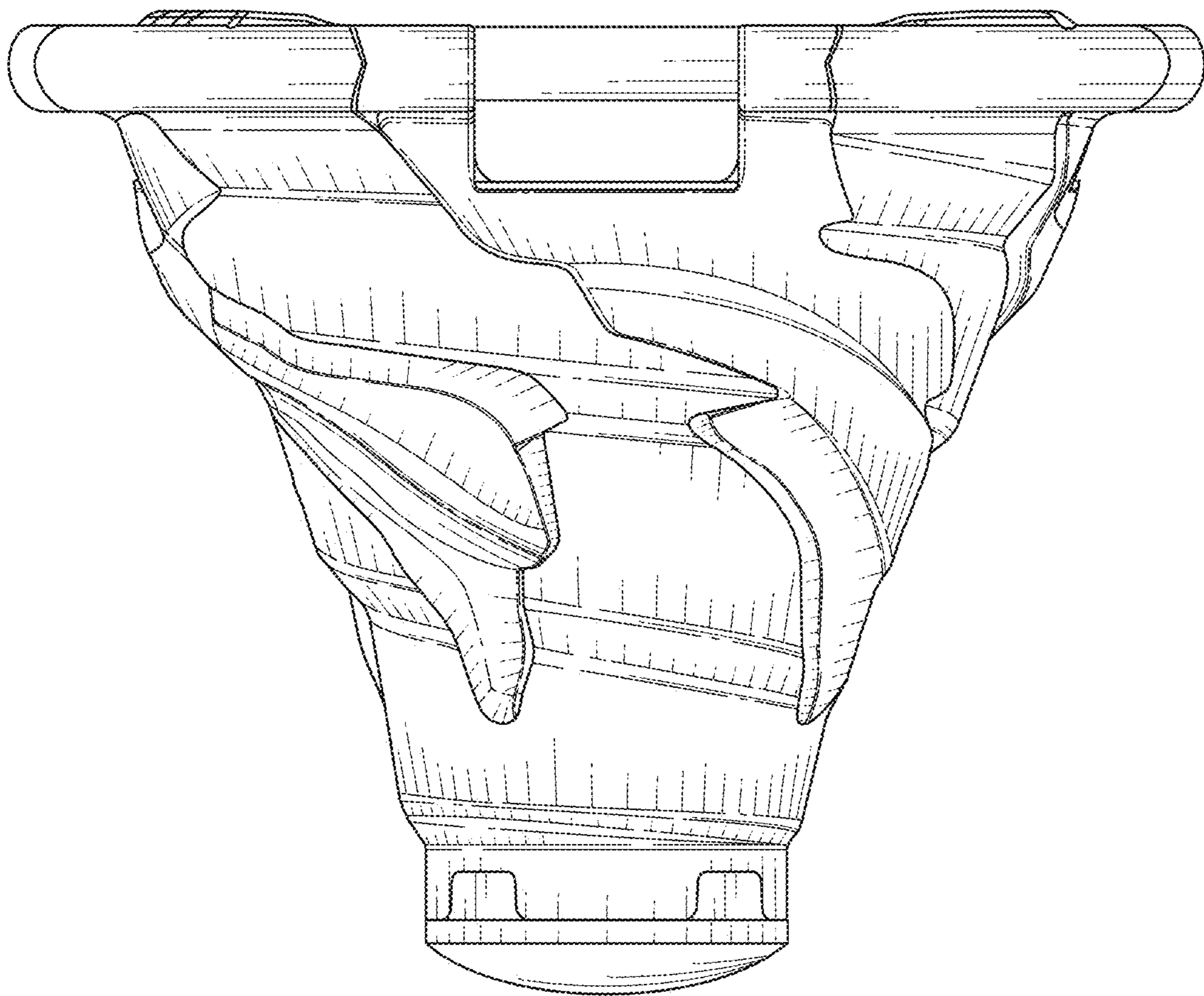


FIG. 3

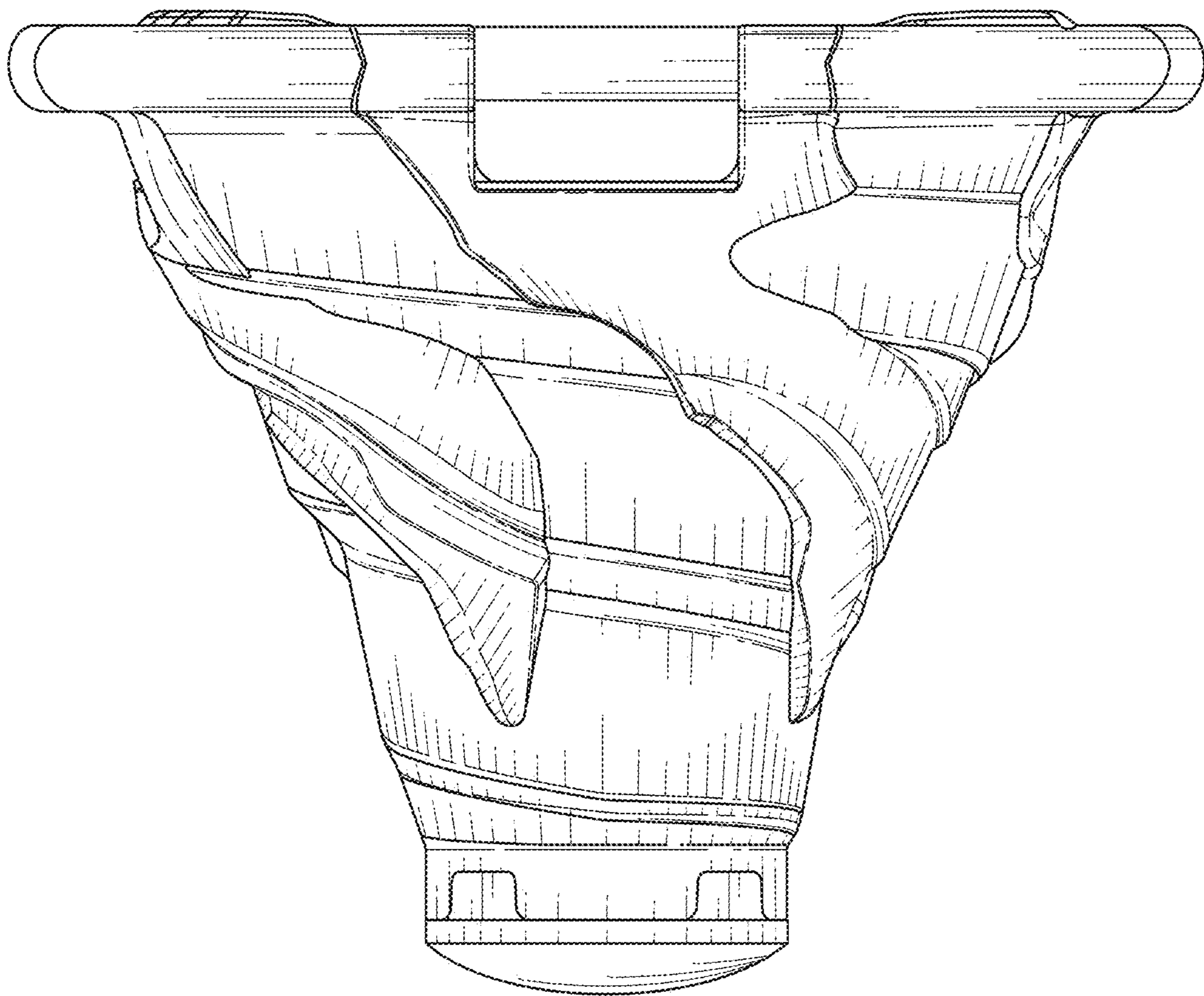


FIG. 4

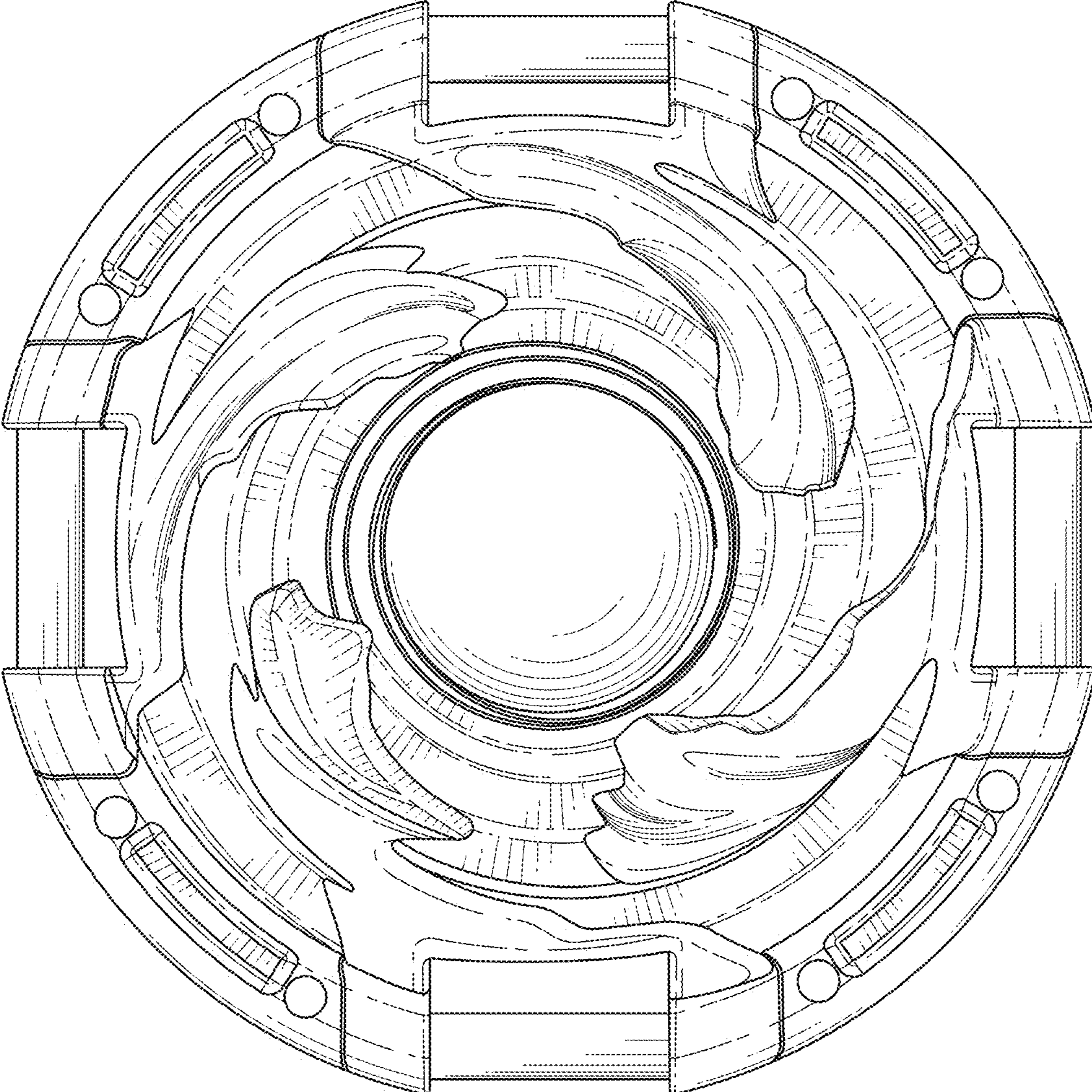


FIG. 5

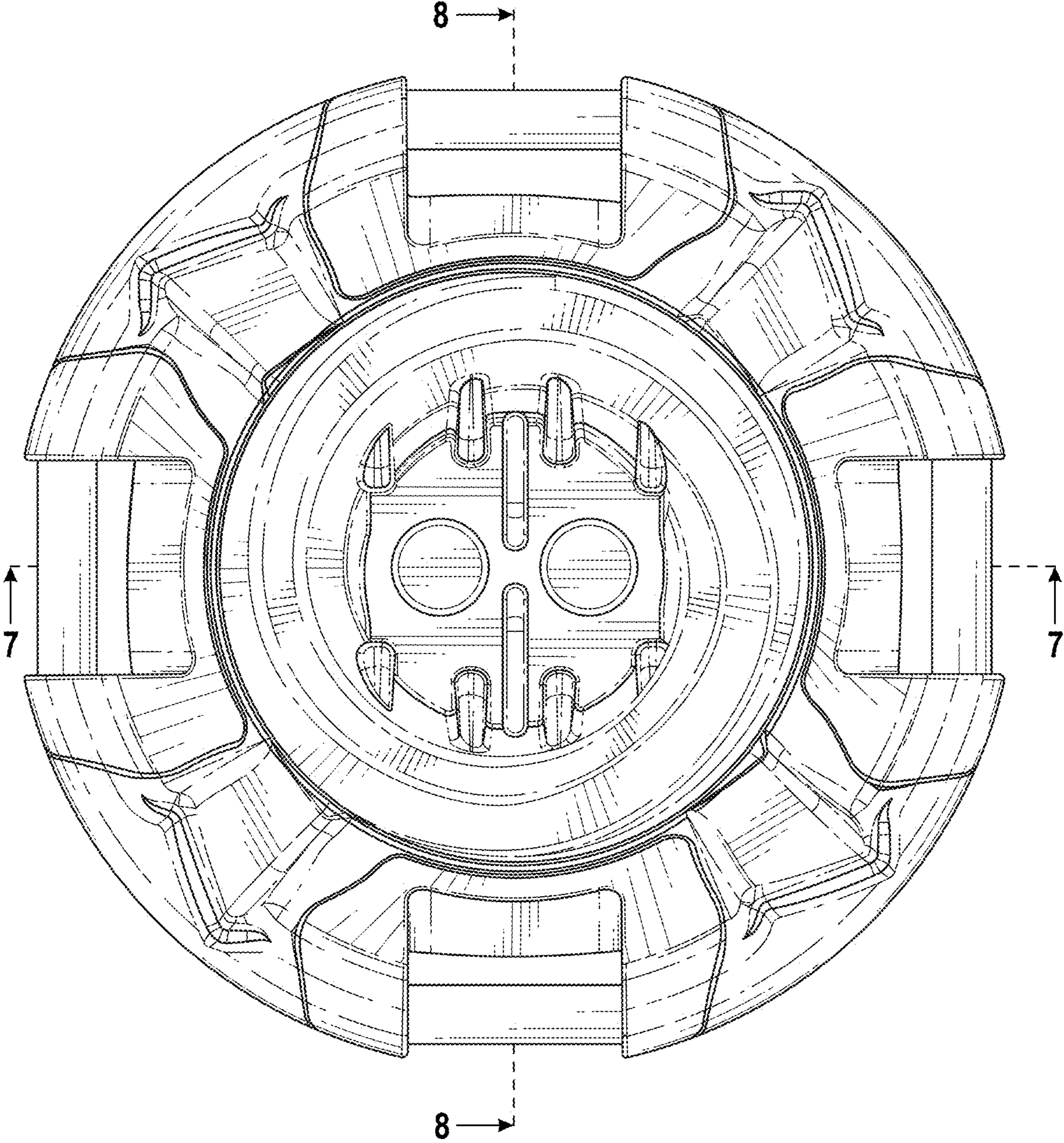


FIG. 6

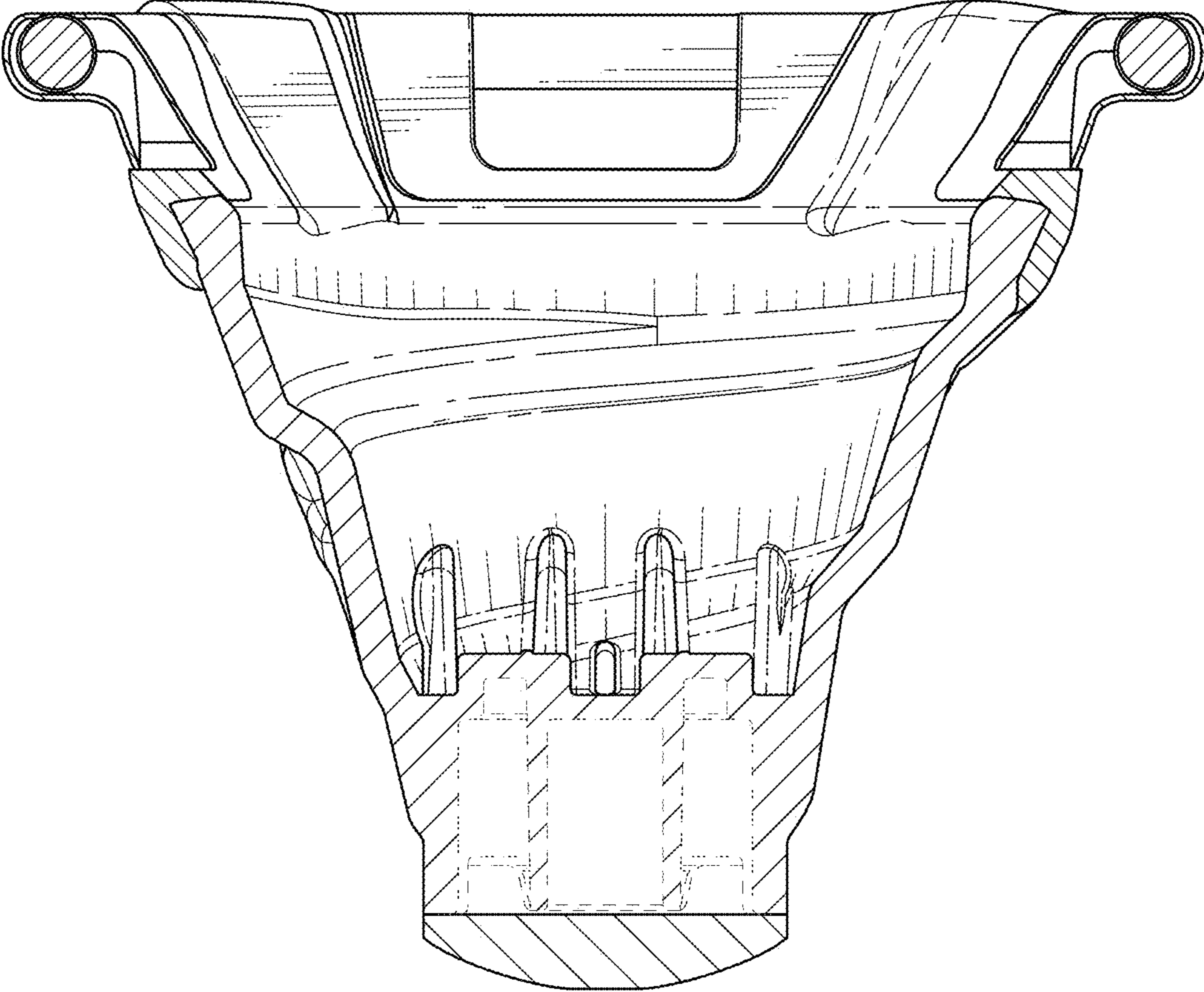


FIG. 7

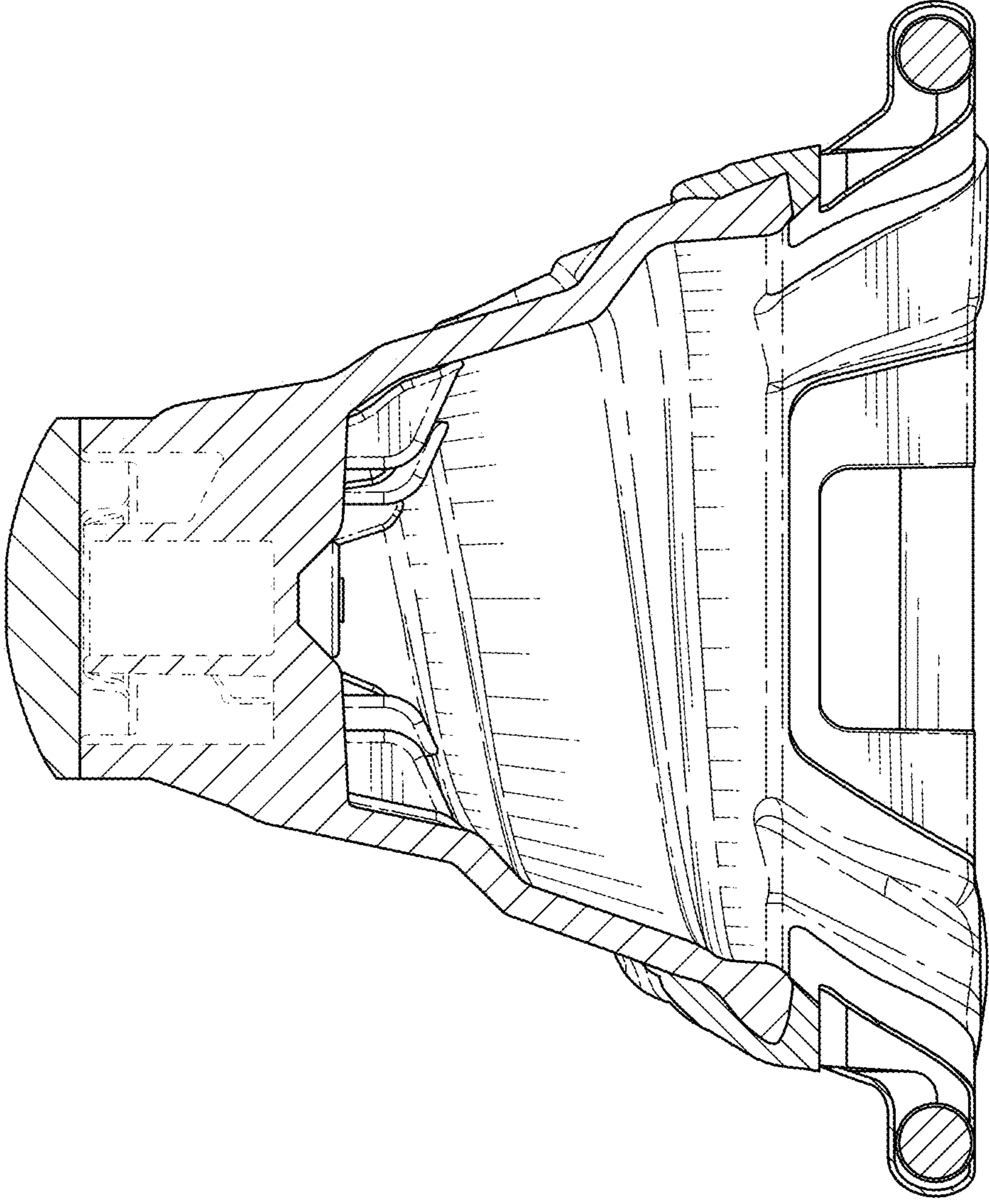


FIG. 8

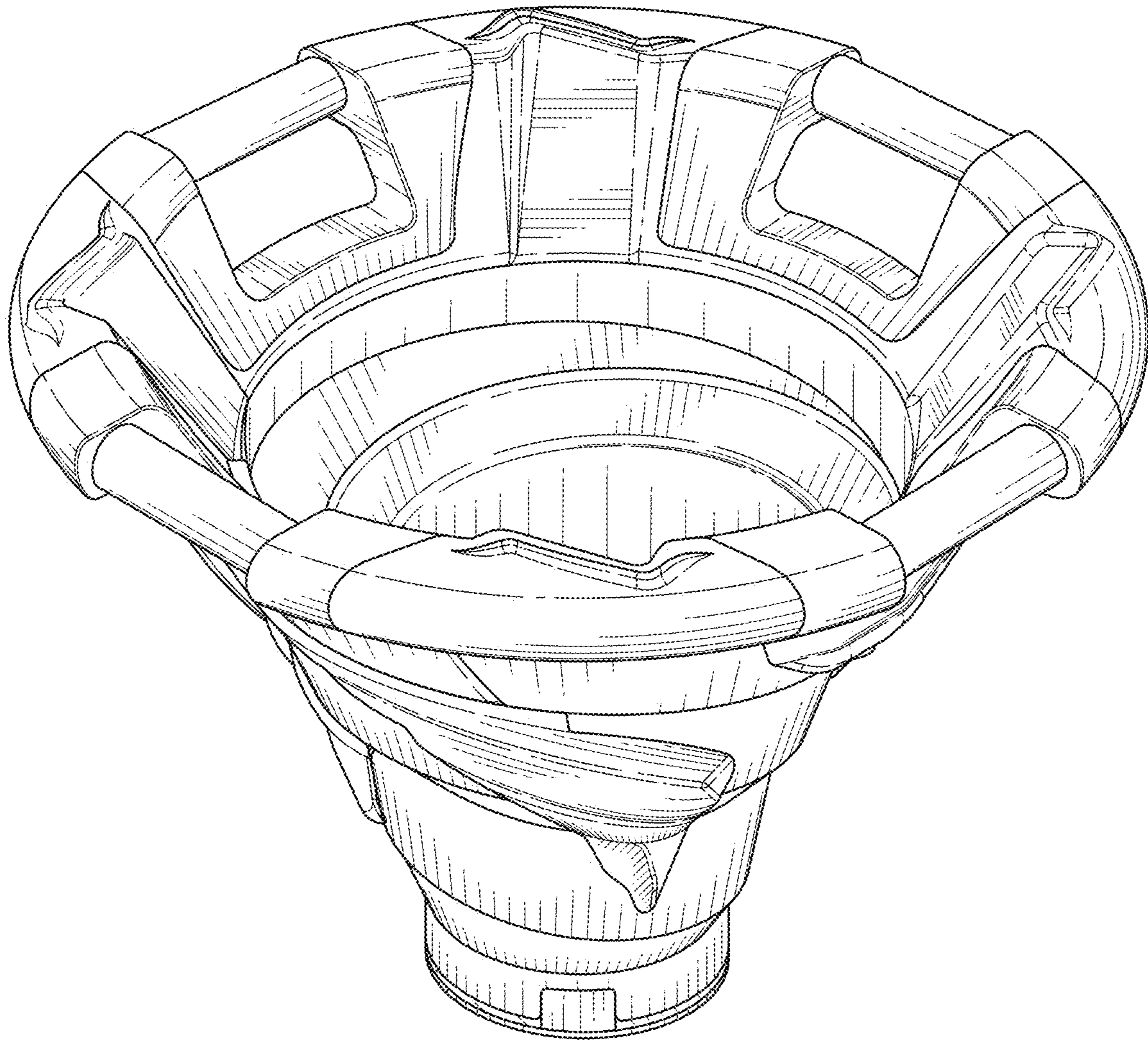


FIG. 9

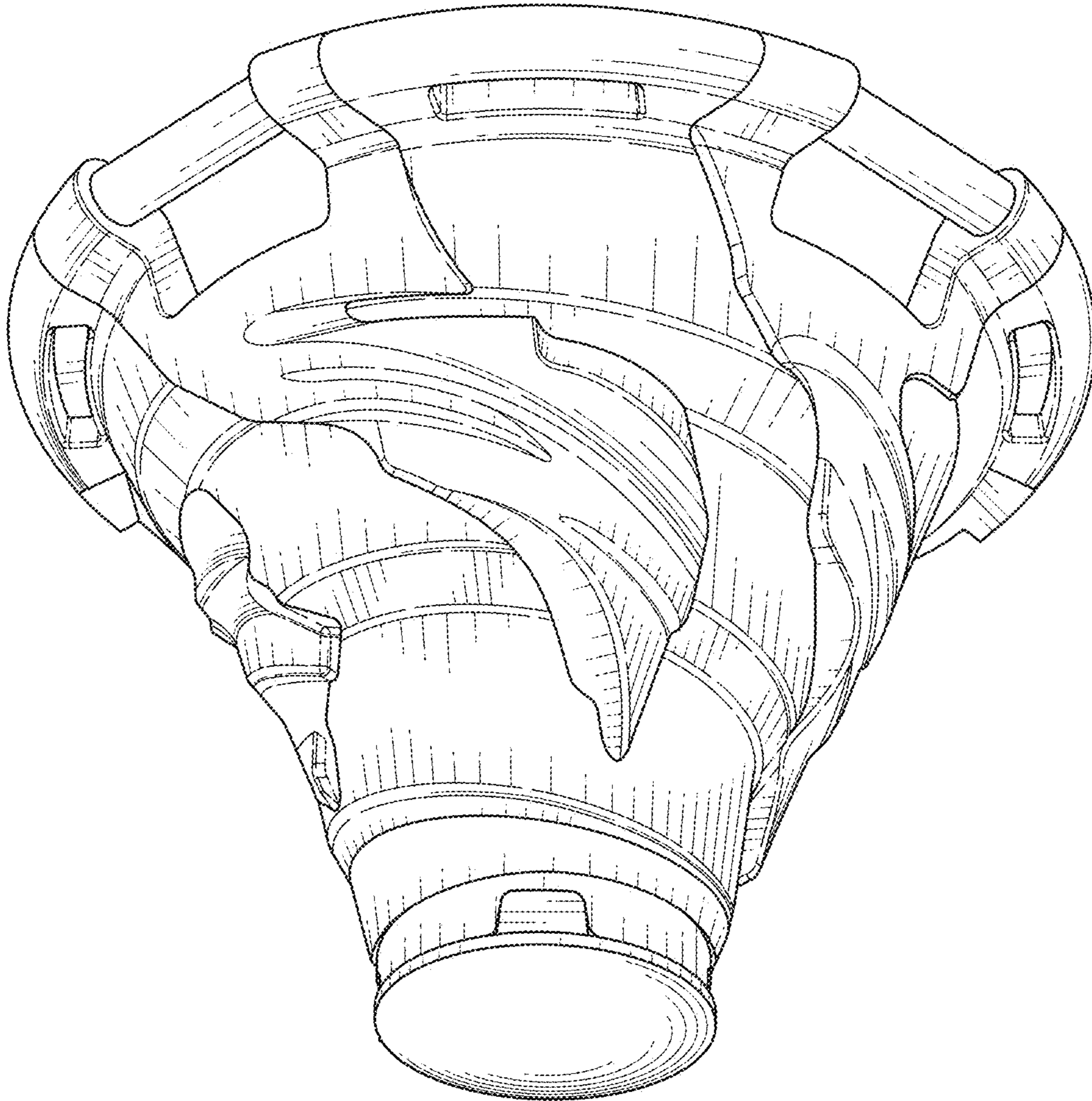


FIG. 10

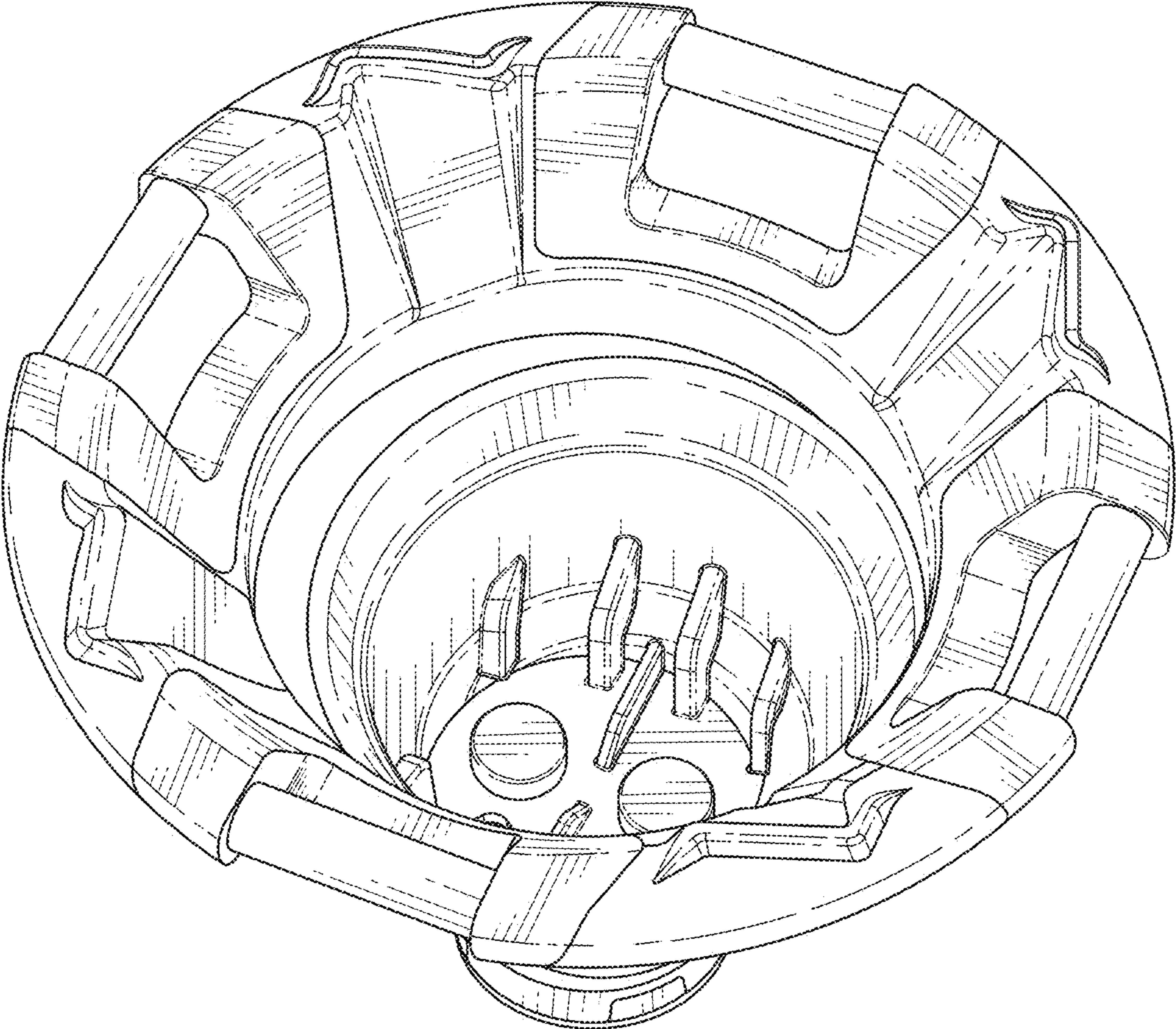


FIG. 11