



US00D887497S

(12) **United States Design Patent** (10) **Patent No.:** **US D887,497 S**  
**Derus** (45) **Date of Patent:** **\*\* Jun. 16, 2020**

(54) **DIE**  
(71) Applicant: **David Jonas Derus**, Sherman Oaks, CA (US)  
(72) Inventor: **David Jonas Derus**, Sherman Oaks, CA (US)  
(\*\*) Term: **15 Years**

D574,440 S \* 8/2008 Goodrich ..... D21/396  
D634,370 S \* 3/2011 Gebhart ..... D21/373  
7,931,275 B1 \* 4/2011 Strickland ..... A63F 1/00  
273/145 A  
8,074,986 B1 \* 12/2011 Gebhart ..... A63F 9/0415  
273/146  
D718,819 S \* 12/2014 Novinbakht ..... D21/373  
2018/0311565 A1 \* 11/2018 Frattellone ..... A63F 9/04  
2019/0282890 A1 \* 9/2019 Kelly ..... A63F 9/0415

(21) Appl. No.: **29/695,958**  
(22) Filed: **Jun. 24, 2019**  
(51) **LOC (12) Cl.** ..... **21-01**  
(52) **U.S. Cl.**  
USPC ..... **D21/373**  
(58) **Field of Classification Search**  
USPC ..... D21/373, 385, 346, 372, 492, 659, 340,  
D21/341, 347, 370, 371; 434/200;  
273/145 CA, 146, 248, 399, 142 E,  
273/145 D, 243, 236; 463/47, 22;  
D19/9; D9/715; 428/13  
CPC ..... A63F 9/04; A63F 3/00006; A63F 3/00;  
A63F 7/048; A63F 9/0402; A63F 9/0413;  
A63F 11/0011; A63F 9/0406; A63F  
3/00895; A63F 9/0415; A63F 9/0468;  
G07F 17/32; G07F 17/34; G07F 17/3262;  
G07F 17/326; G07F 17/3202  
See application file for complete search history.

**OTHER PUBLICATIONS**

Blank by Shapeways dated no date given. Found online [May 6, 2020] <https://www.shapeways.com/marketplace/games/dice?tag=sphericon+dual>.  
Infinity Dice by Dice Envy dated no date given. Found online [May 6, 2020] <https://www.ebay.com/itm/8-Sided-Poker-Dice-Game-with-5-Dice-Travel-Tube-and-Gaming-Instructions-/163291013080>.

\* cited by examiner

*Primary Examiner* — Ryan Harvey

(57) **CLAIM**

The ornamental design for a die, as shown and described.

**DESCRIPTION**

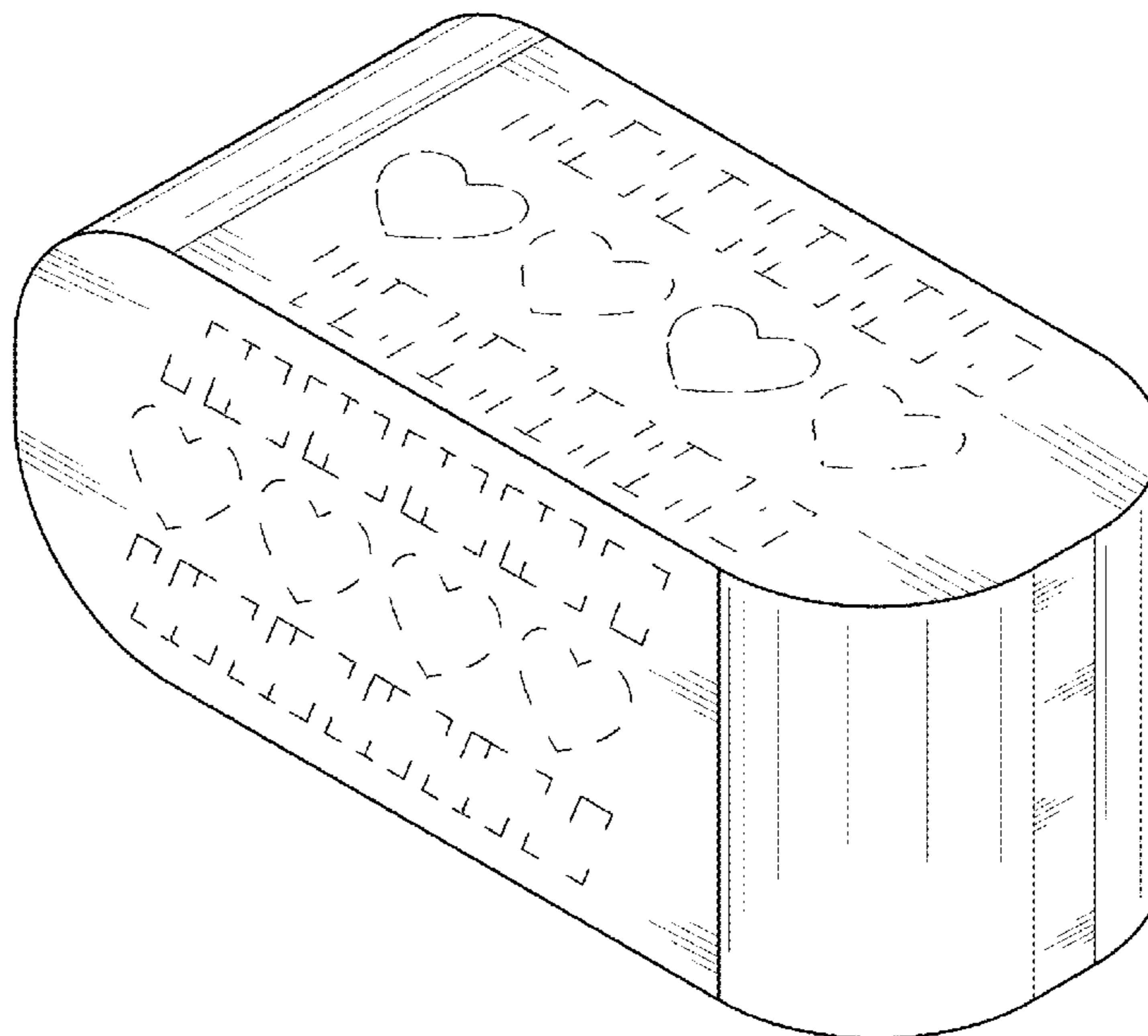
FIG. 1 is a Front Perspective view of the die;  
FIG. 2 is a Rear Perspective view of the die shown in FIG. 1;  
FIG. 3 is a Top plan view of the die shown in FIG. 1;  
FIG. 4 is a Bottom plan view of the die shown in FIG. 1;  
FIG. 5 is a Left-Side view of the die shown in FIG. 1;  
FIG. 6 is a Right-Side view of the die shown in FIG. 1;  
FIG. 7 is a Front view of the die shown in FIG. 1; and,  
FIG. 8 is a Rear view of the die shown in FIG. 1.  
The broken line showing of portions of the die depicts environment and forms no part of the claim.

(56) **References Cited**

**U.S. PATENT DOCUMENTS**

D105,803 S \* 8/1937 Monier ..... D21/373  
3,195,895 A \* 7/1965 Kropinski ..... A63F 9/0098  
273/240  
3,467,382 A \* 9/1969 Leadley ..... A63F 1/18  
273/148 R  
D489,418 S \* 5/2004 Helton, Sr. .... D21/373

**1 Claim, 5 Drawing Sheets**



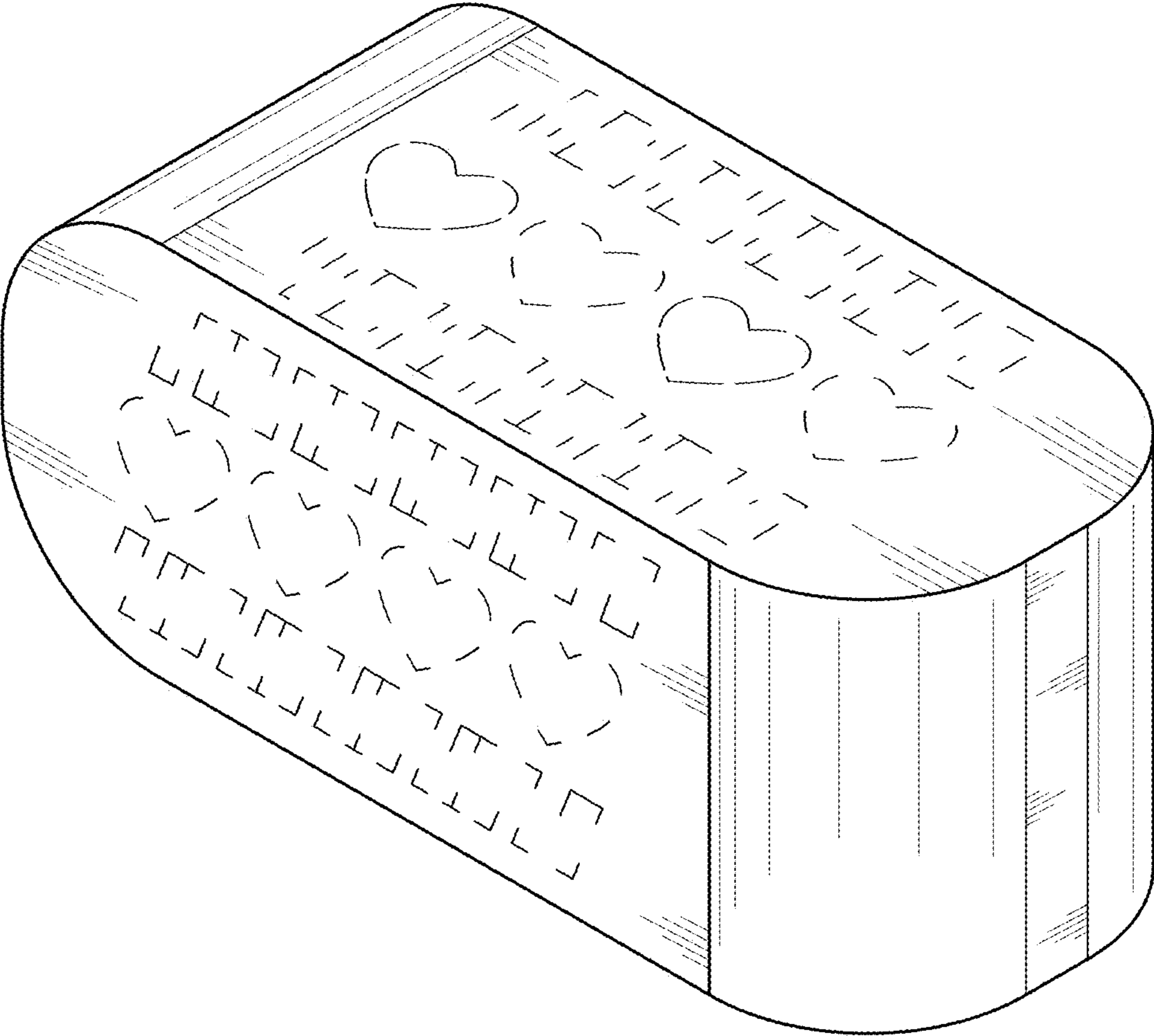


FIG. 1

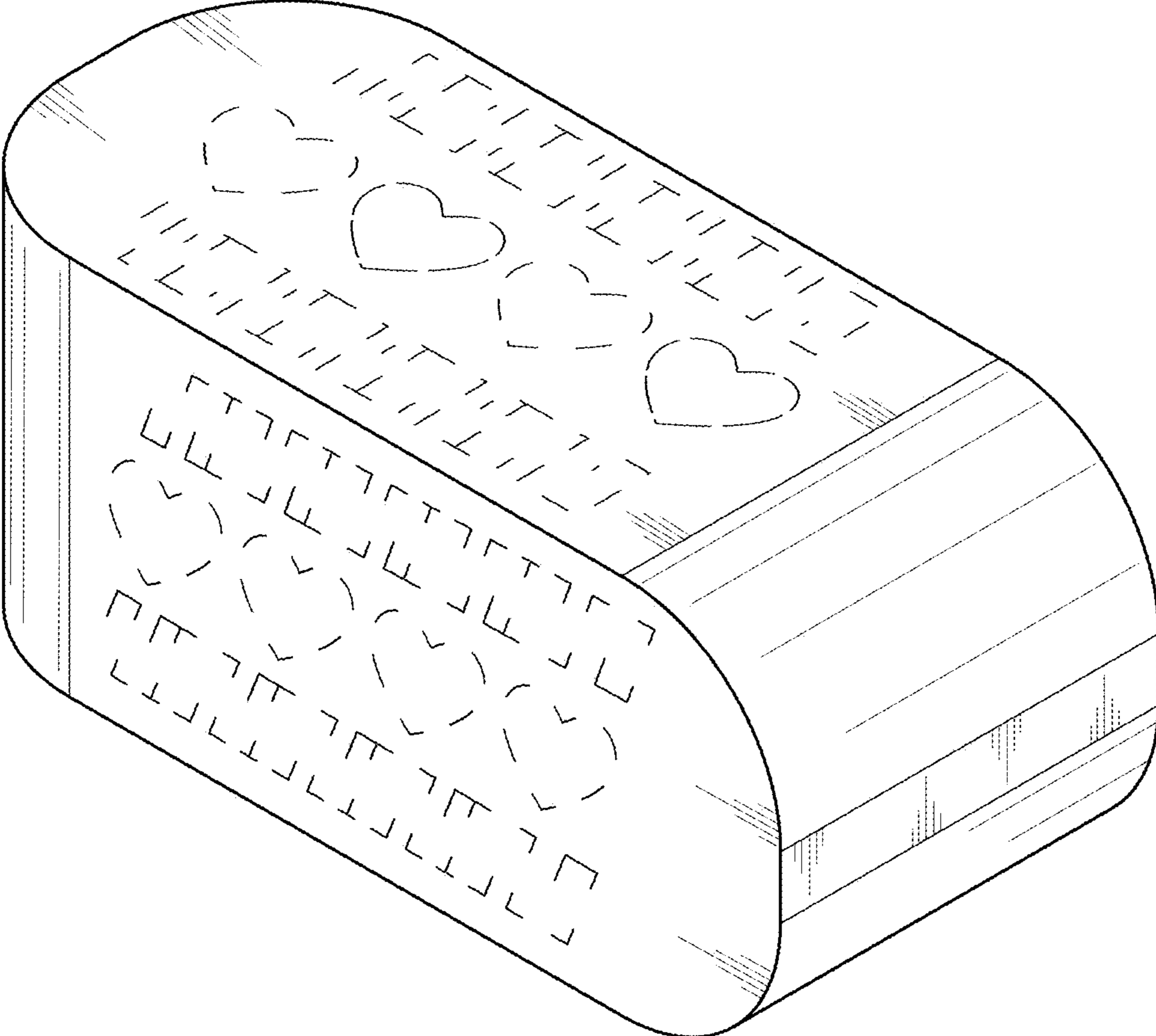


FIG. 2

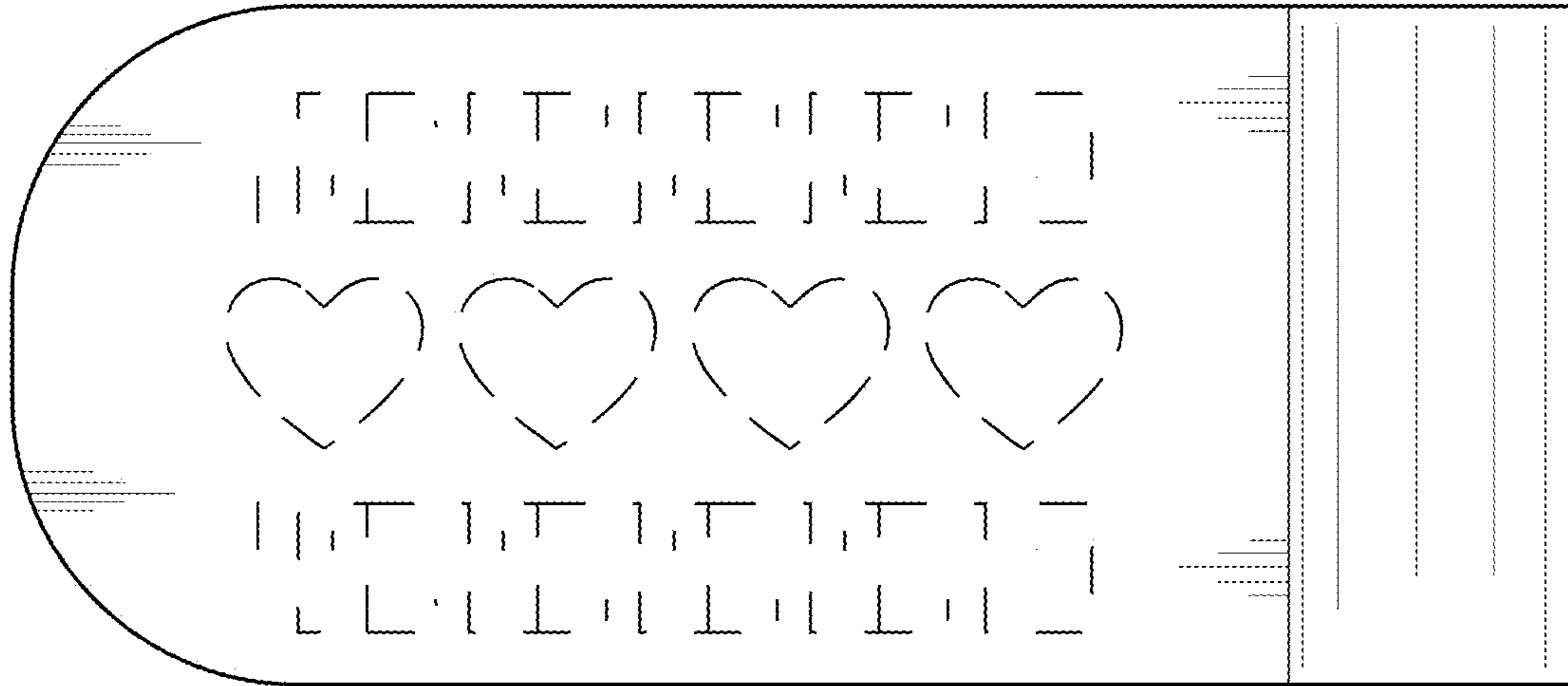


FIG. 3

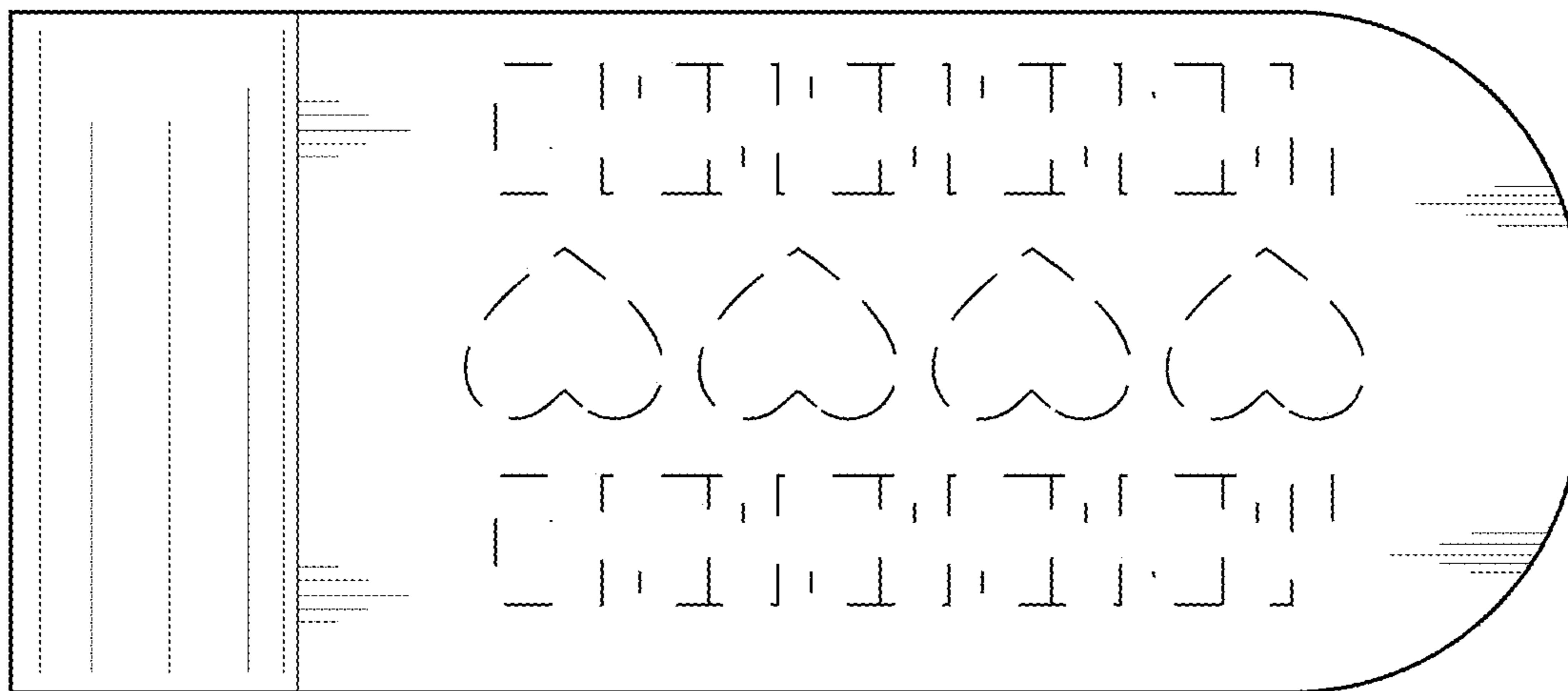


FIG. 4

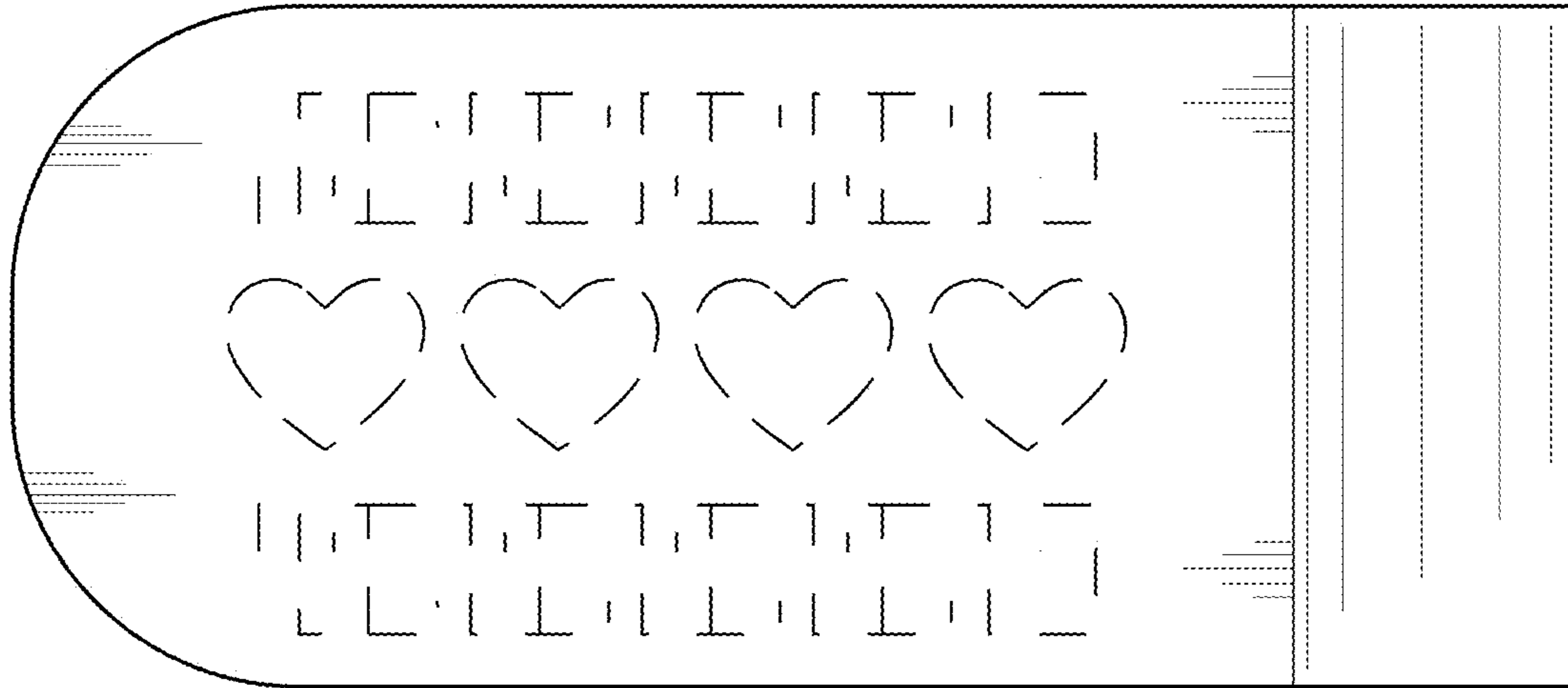


FIG. 5

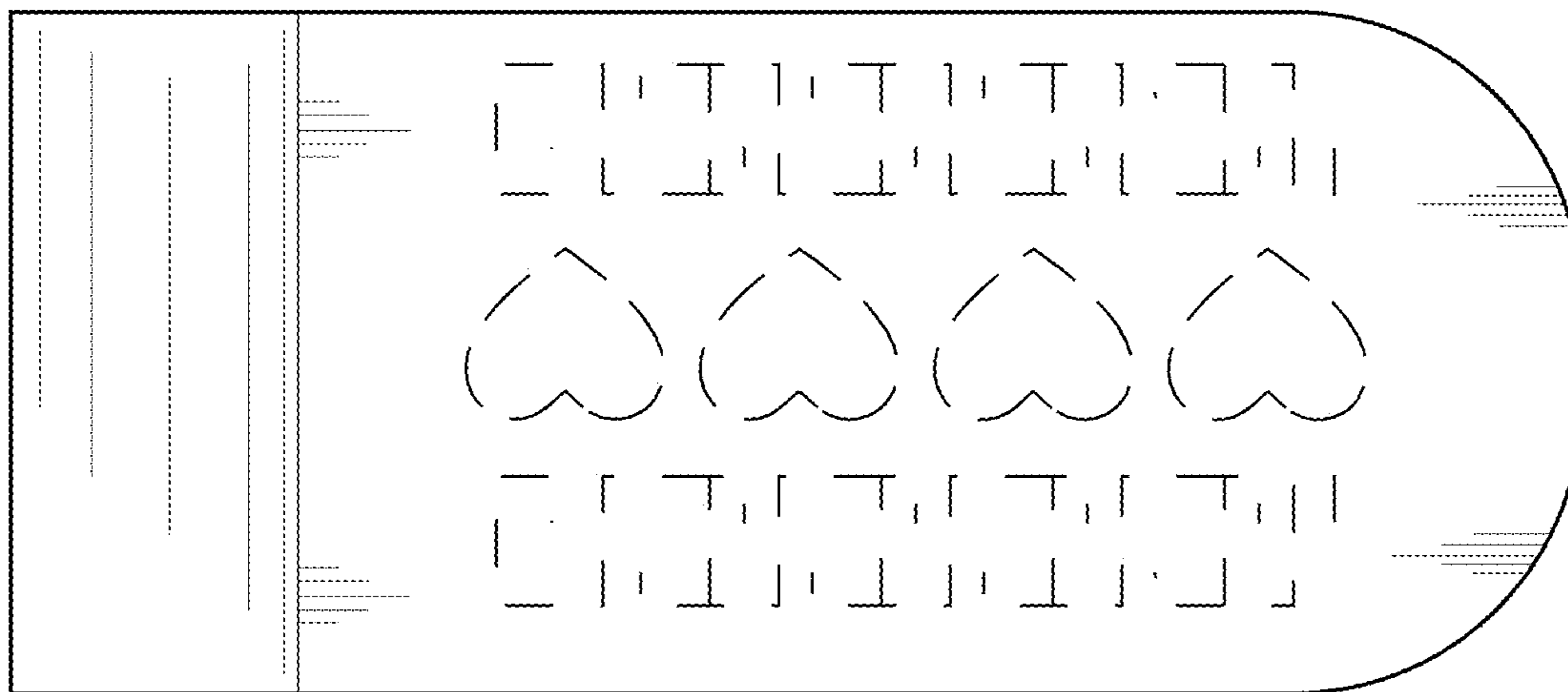


FIG. 6



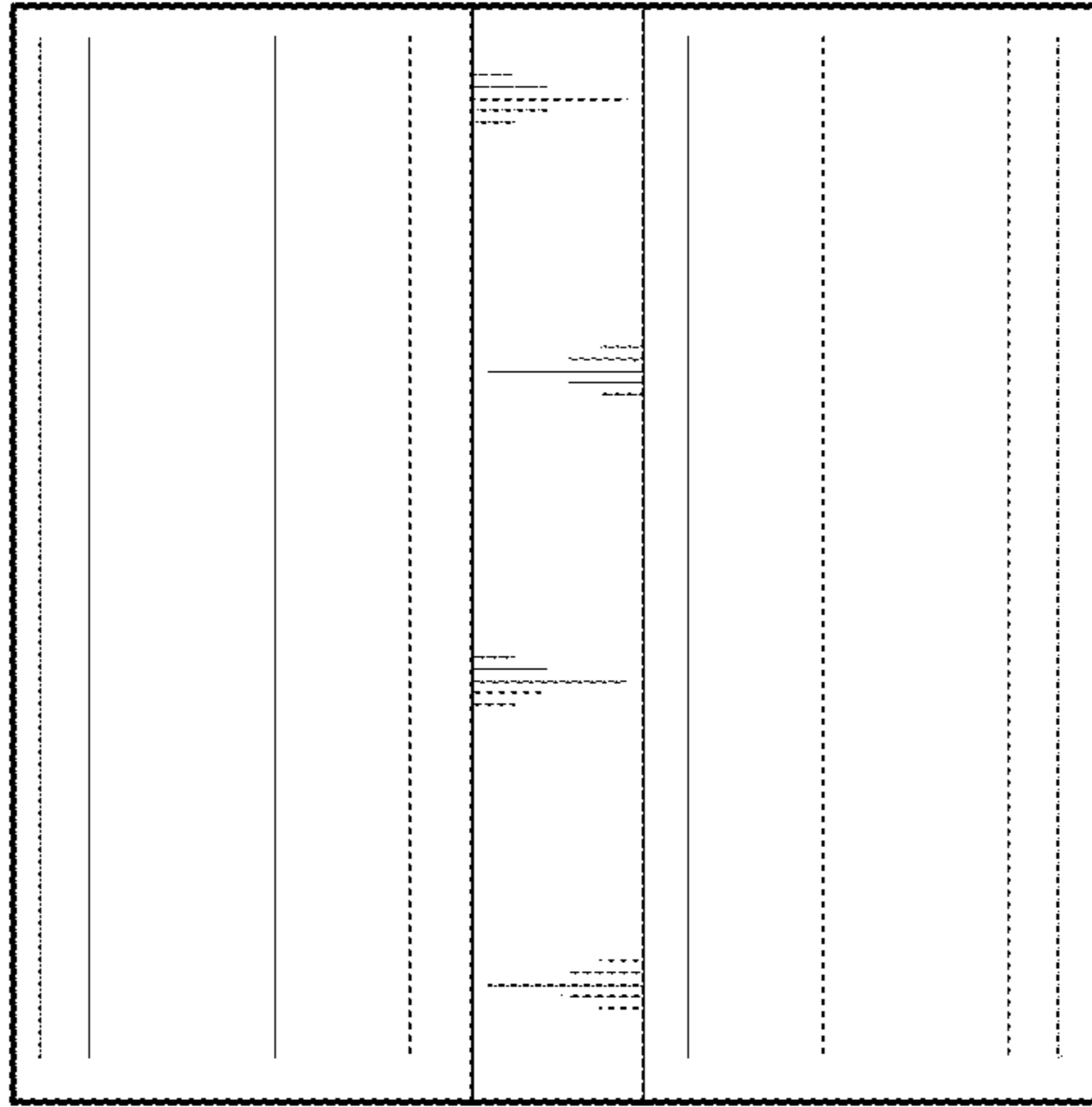


FIG. 7

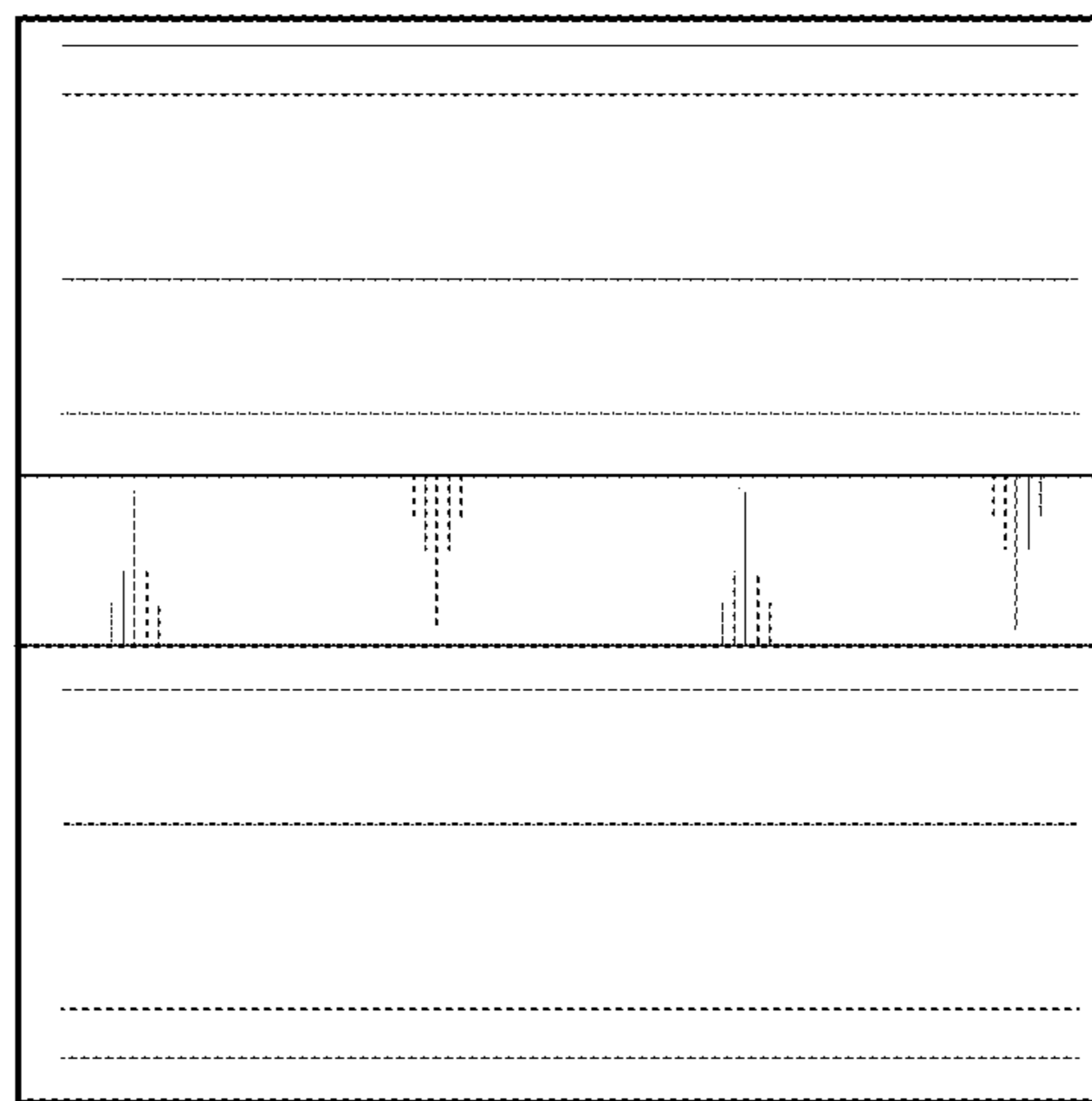


FIG. 8

UNITED STATES PATENT AND TRADEMARK OFFICE  
**CERTIFICATE OF CORRECTION**

PATENT NO. : D887,497 S  
APPLICATION NO. : 29/695958  
DATED : June 16, 2020  
INVENTOR(S) : David Jonas Derus

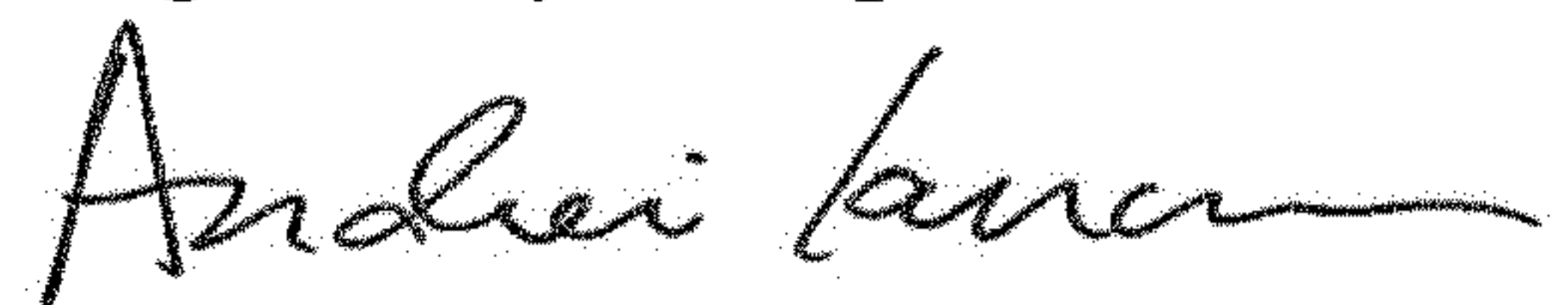
Page 1 of 1

It is certified that error appears in the above-identified patent and that said Letters Patent is hereby corrected as shown below:

On the Title Page

Item (54) Delete "Die" and insert -- Dice --

Signed and Sealed this  
Eighth Day of September, 2020



Andrei Iancu  
*Director of the United States Patent and Trademark Office*