



US00D887489S

(12) **United States Design Patent** (10) **Patent No.:** **US D887,489 S**
Nucci et al. (45) **Date of Patent:** **** Jun. 16, 2020**

(54) PEN HOLDER	D156,471 S * 12/1949 Winchester D11/146
	3,847,277 A * 11/1974 Doner A45C 1/12
	206/0.84
(71) Applicant: Cotapaxi Custom Design and Manufacturing LLC , Carlstadt, NJ (US)	4,278,225 A * 7/1981 Phelps A61J 1/06
	248/311.3
(72) Inventors: Marc Nucci , Wayne, NJ (US); Jillian Walbroel , Woodland Park, NJ (US)	D286,957 S * 12/1986 Johnson D11/146
	D334,850 S * 4/1993 Vigna 248/524
	D347,195 S * 5/1994 Carroll D11/144
	D396,783 S * 8/1998 Lee D7/701
	D406,051 S * 2/1999 Ross D8/395
(73) Assignee: Cotapaxi Custom Design and Manufacturing LLC , Carlstadt, NJ (US)	D621,639 S * 8/2010 Merrick D6/682.2
	D651,434 S * 1/2012 Conway D6/515
	D670,885 S * 11/2012 Merrick D99/37

(Continued)

(**) Term: **15 Years** *Primary Examiner* — Elizabeth A. Albert
(74) *Attorney, Agent, or Firm* — Steven E. Shapiro

(21) Appl. No.: **29/694,471**

(22) Filed: **Jun. 11, 2019**

Related U.S. Application Data

(63) Continuation-in-part of application No. 29/653,077, filed on Jun. 12, 2018, now Pat. No. Des. 863,428.

(51) **LOC (12) Cl.** **19-06**

(52) **U.S. Cl.**
USPC **D19/84**

(58) **Field of Classification Search**
USPC D19/75–92, 99, 135; D3/206, 304, 306, D3/310, 315; D6/675.5, 683, 683.1; D7/631, 637–641; D9/427, 432, 611; D14/253

CPC .. B43M 99/00; B43M 99/001; B43M 99/003; B43M 99/006; B43M 99/007; B43M 99/008; B43M 99/09; B42D 3/12; B42D 3/16; B42D 3/18; B43K 23/001; B43K 23/002; A47B 55/00; A47B 63/00

See application file for complete search history.

(56) **References Cited**

U.S. PATENT DOCUMENTS

D106,753 S * 11/1937 Aimes D19/84
D141,633 S * 6/1945 Eubank D11/146

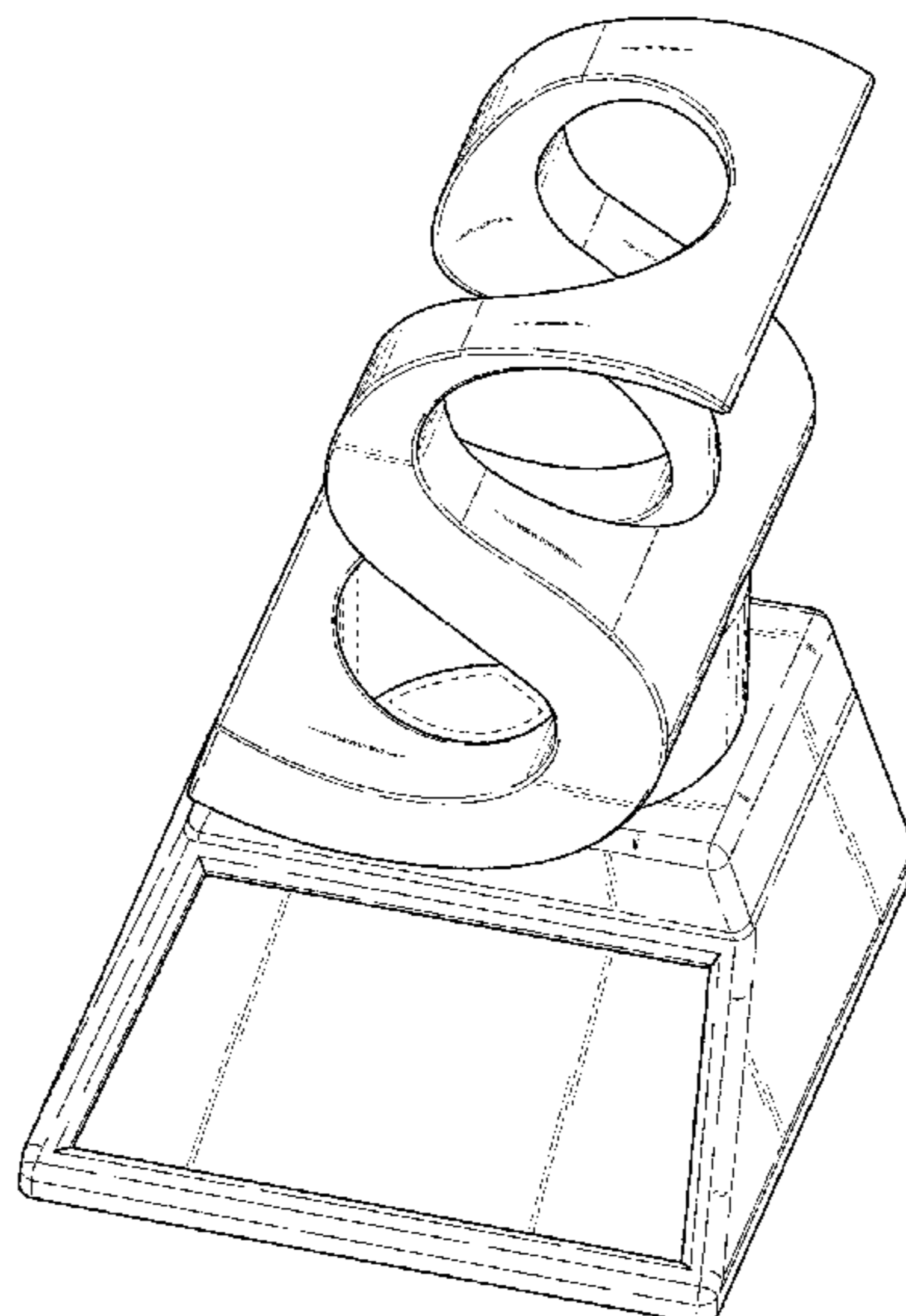
(57) **CLAIM**

The ornamental design for a pen holder, as shown and described.

DESCRIPTION

FIG. 1 is a top, front, right side perspective view of a pen holder;
FIG. 2 is a rear, top, right side perspective view of the pen holder;
FIG. 3 is a top, left side perspective view of the pen holder;
FIG. 4 is a top, right side perspective view of the pen holder;
FIG. 5 is a front elevation view of the pen holder;
FIG. 6 is a rear elevation view of the pen holder;
FIG. 7 is a left side elevation view of the pen holder;
FIG. 8 is a right side elevation view of the pen holder;
FIG. 9 is a top plan view of the pen holder; and,
FIG. 10 is a bottom plan view of the pen holder.
The broken lines, and the areas contained within the broken lines, represent portions of the pen holder that form no part of the claimed design.

1 Claim, 10 Drawing Sheets



(56)

References Cited

U.S. PATENT DOCUMENTS

D743,837 S * 11/2015 Zand D11/146
D831,437 S * 10/2018 Boyden D7/620
D872,518 S * 1/2020 Robb D7/368

* cited by examiner

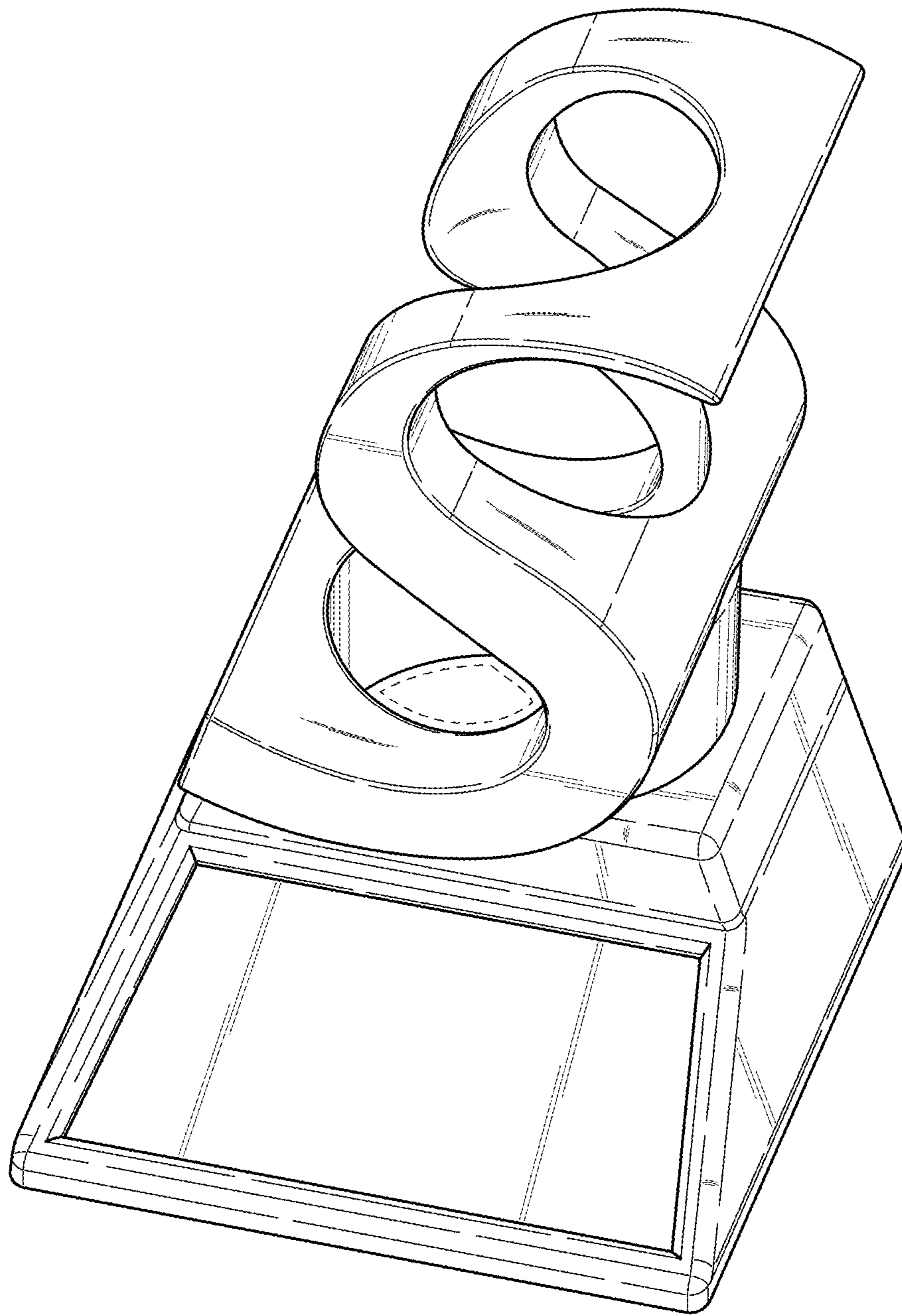


FIG. 1

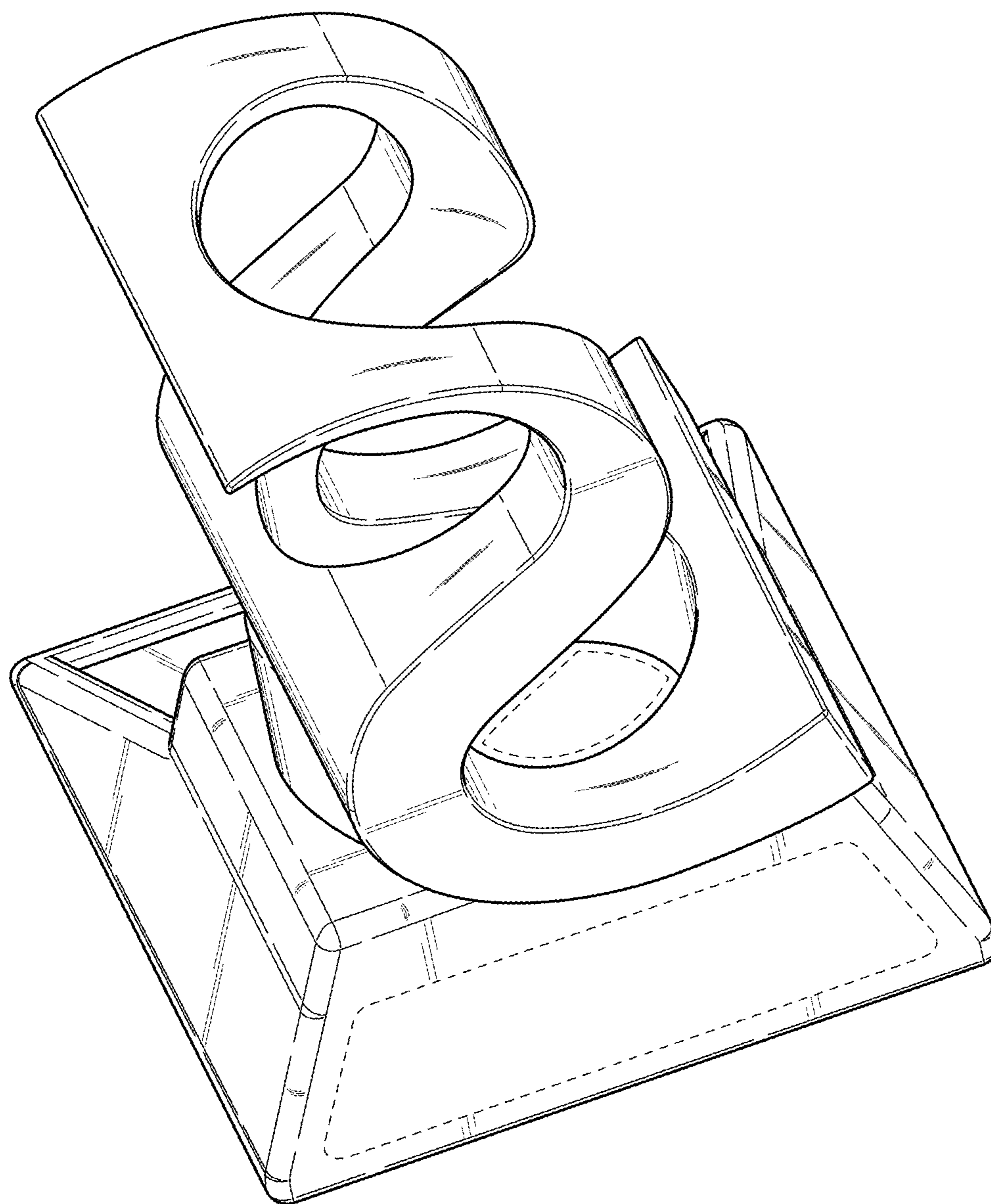


FIG. 2

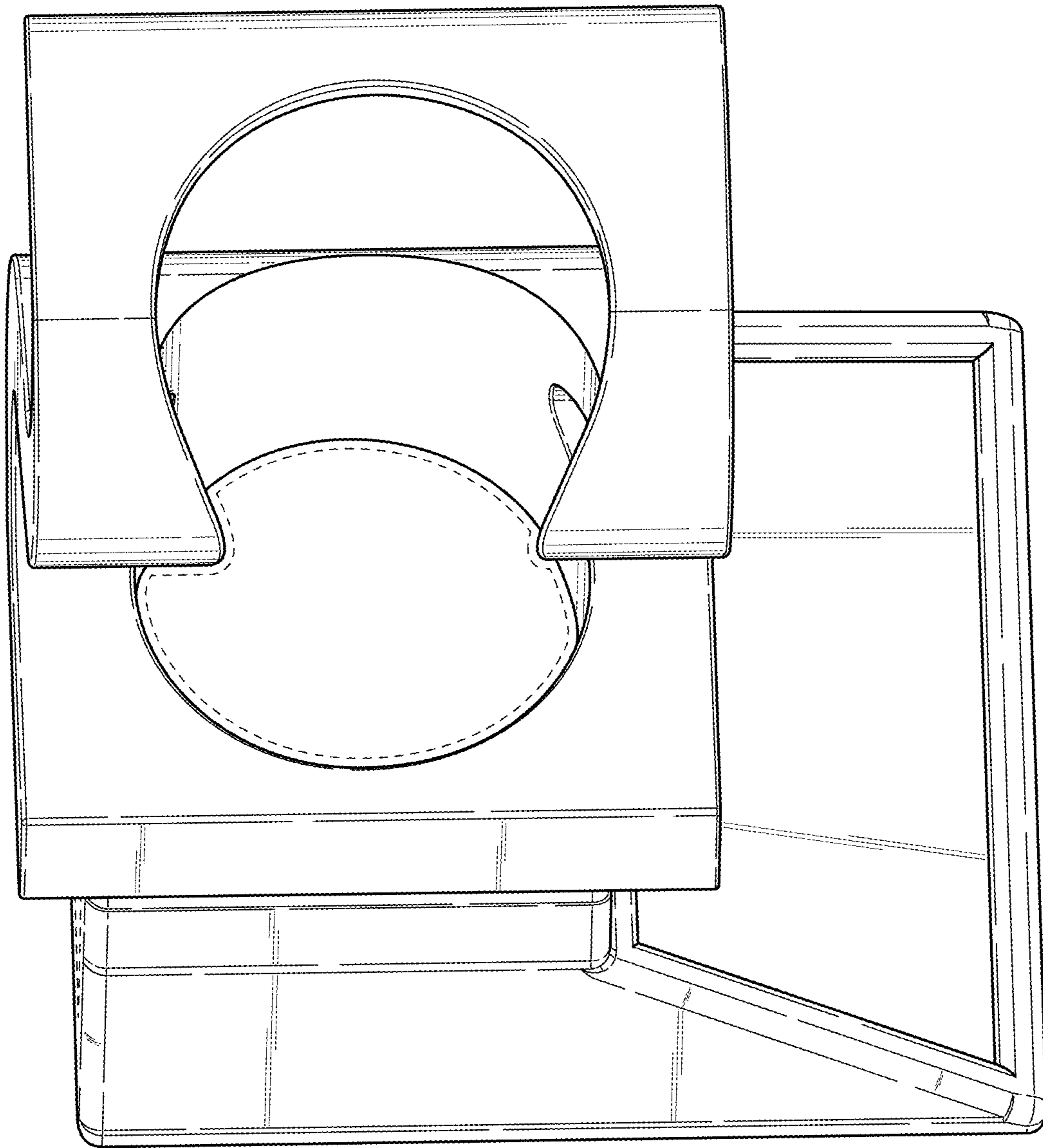


FIG. 3

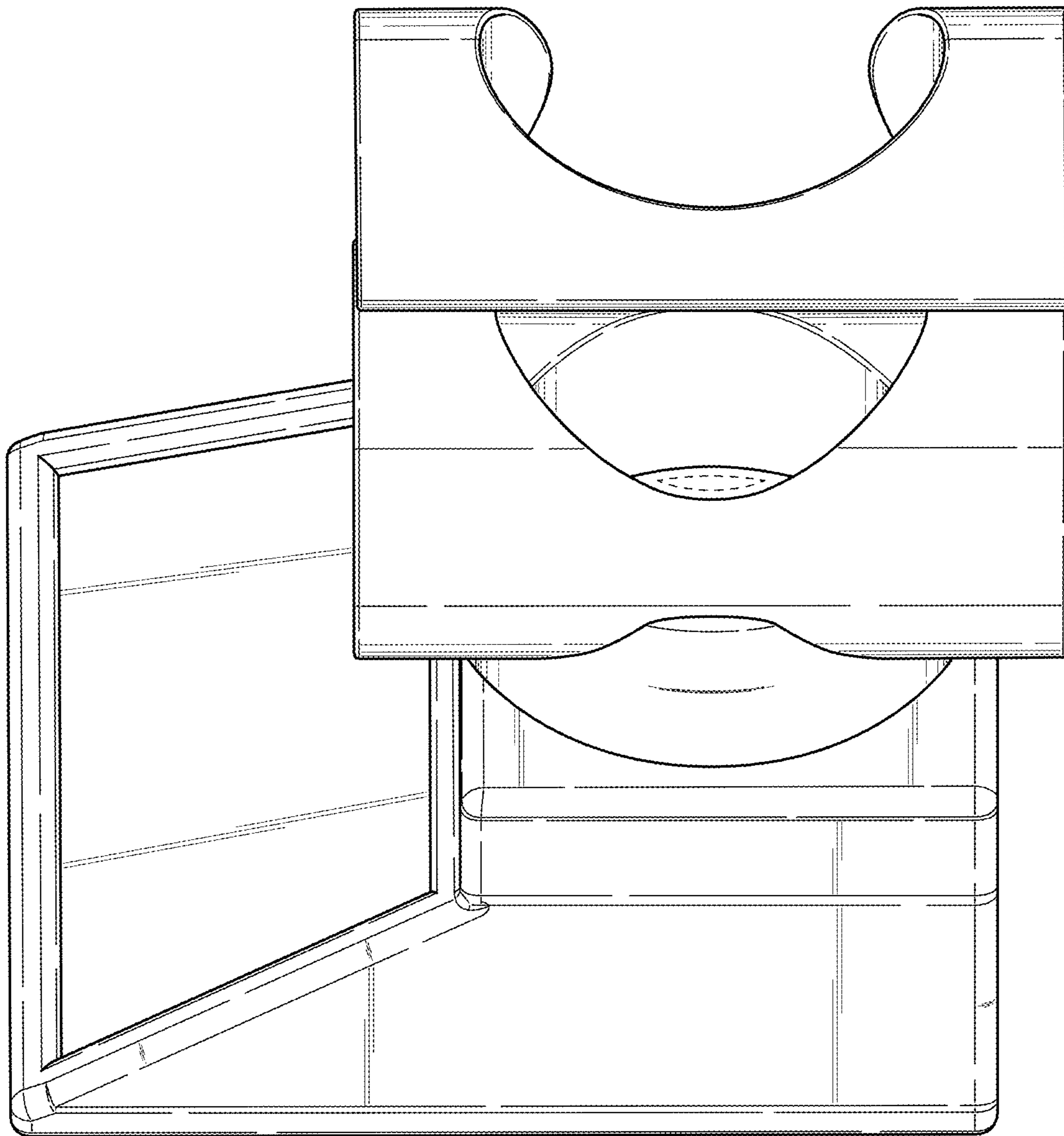


FIG. 4

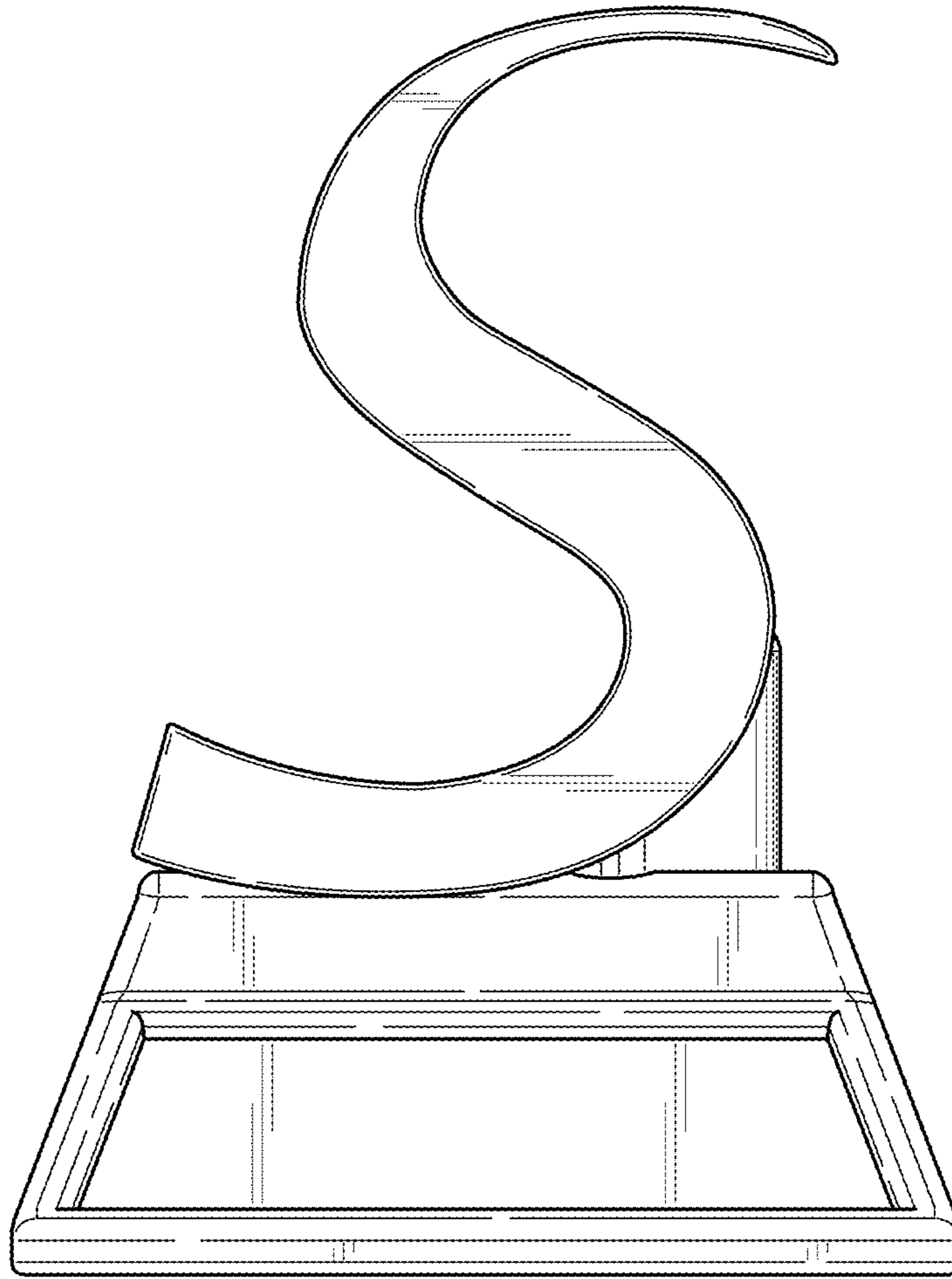


FIG. 5

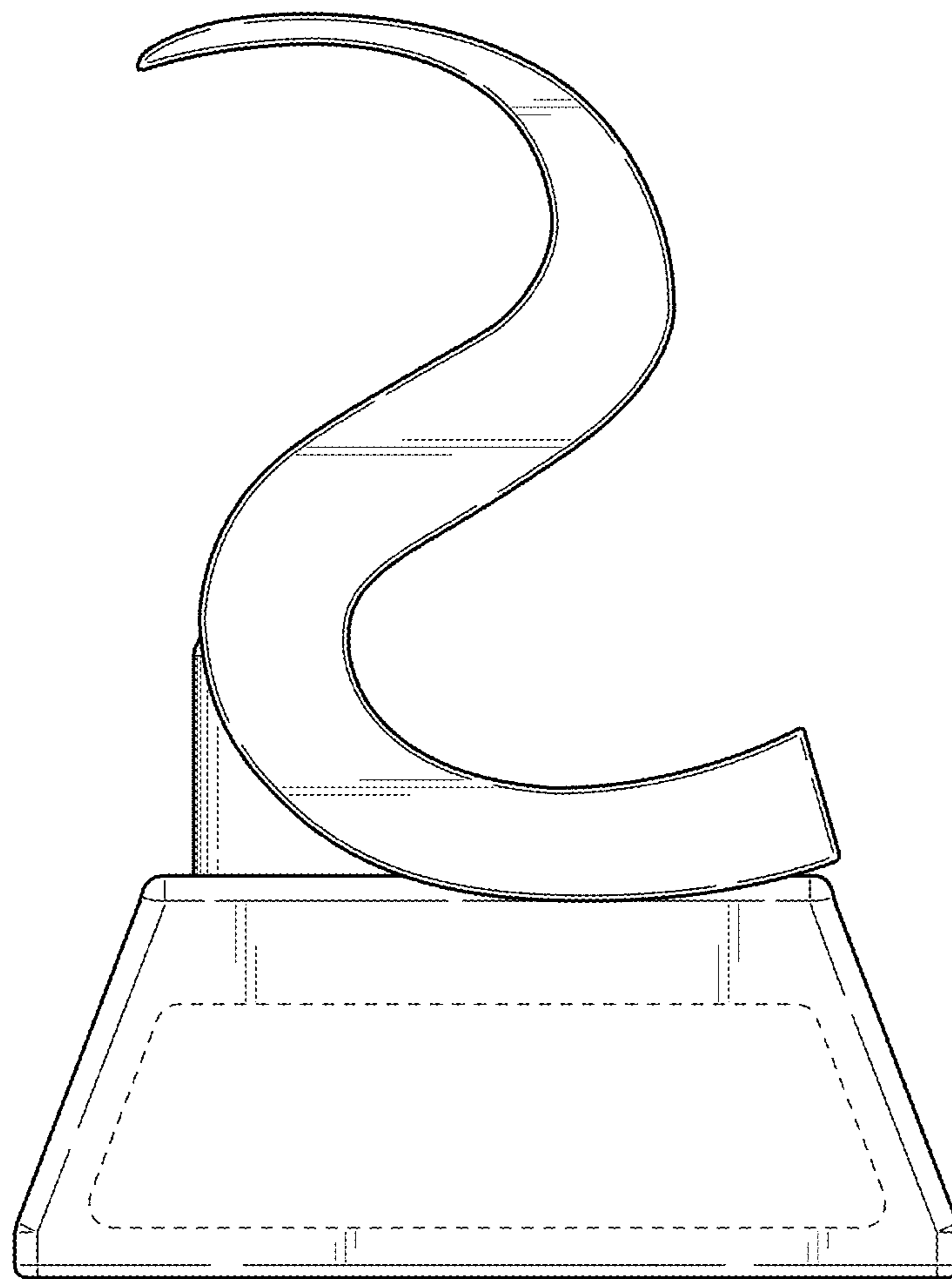


FIG. 6

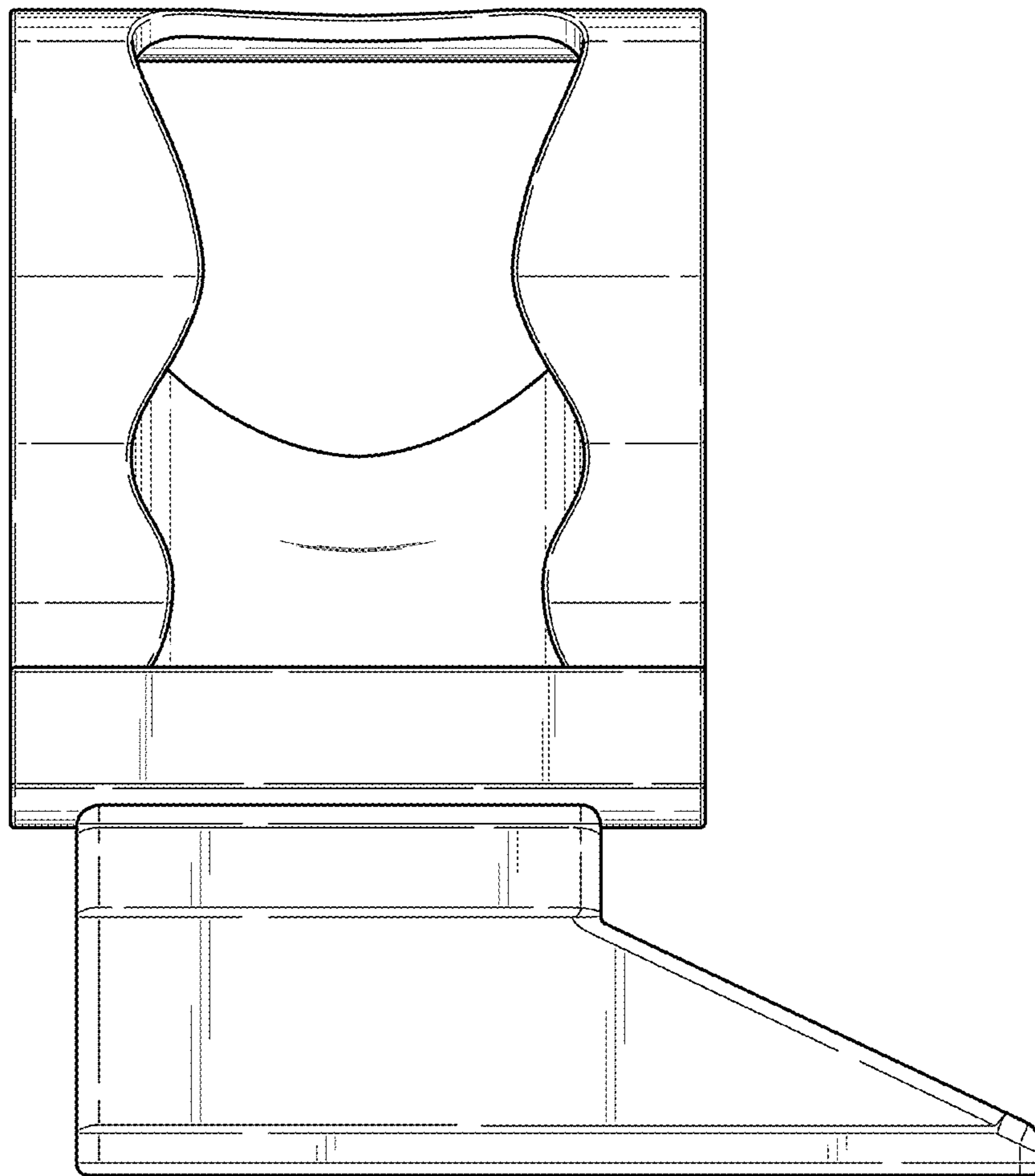


FIG. 7

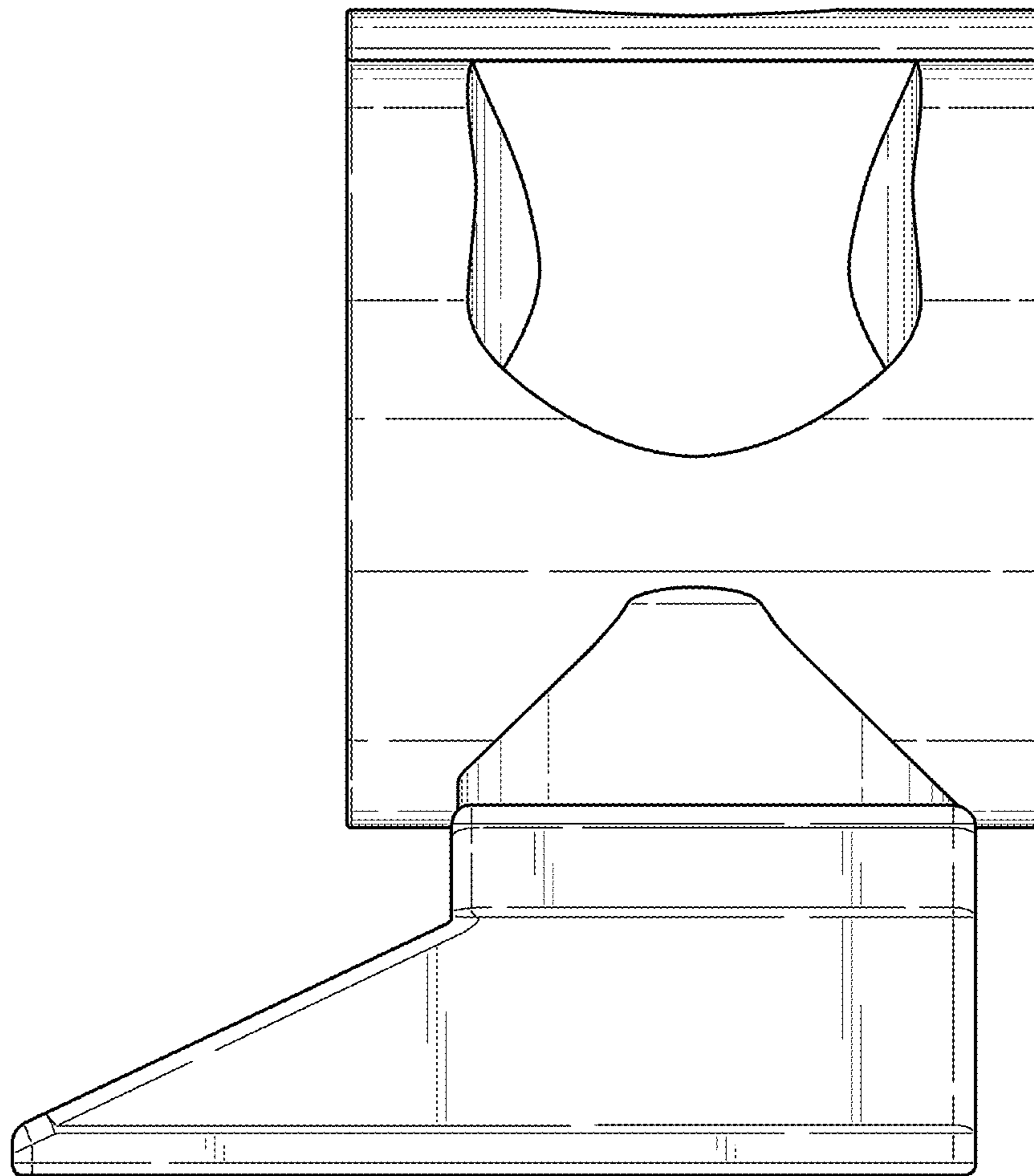


FIG. 8

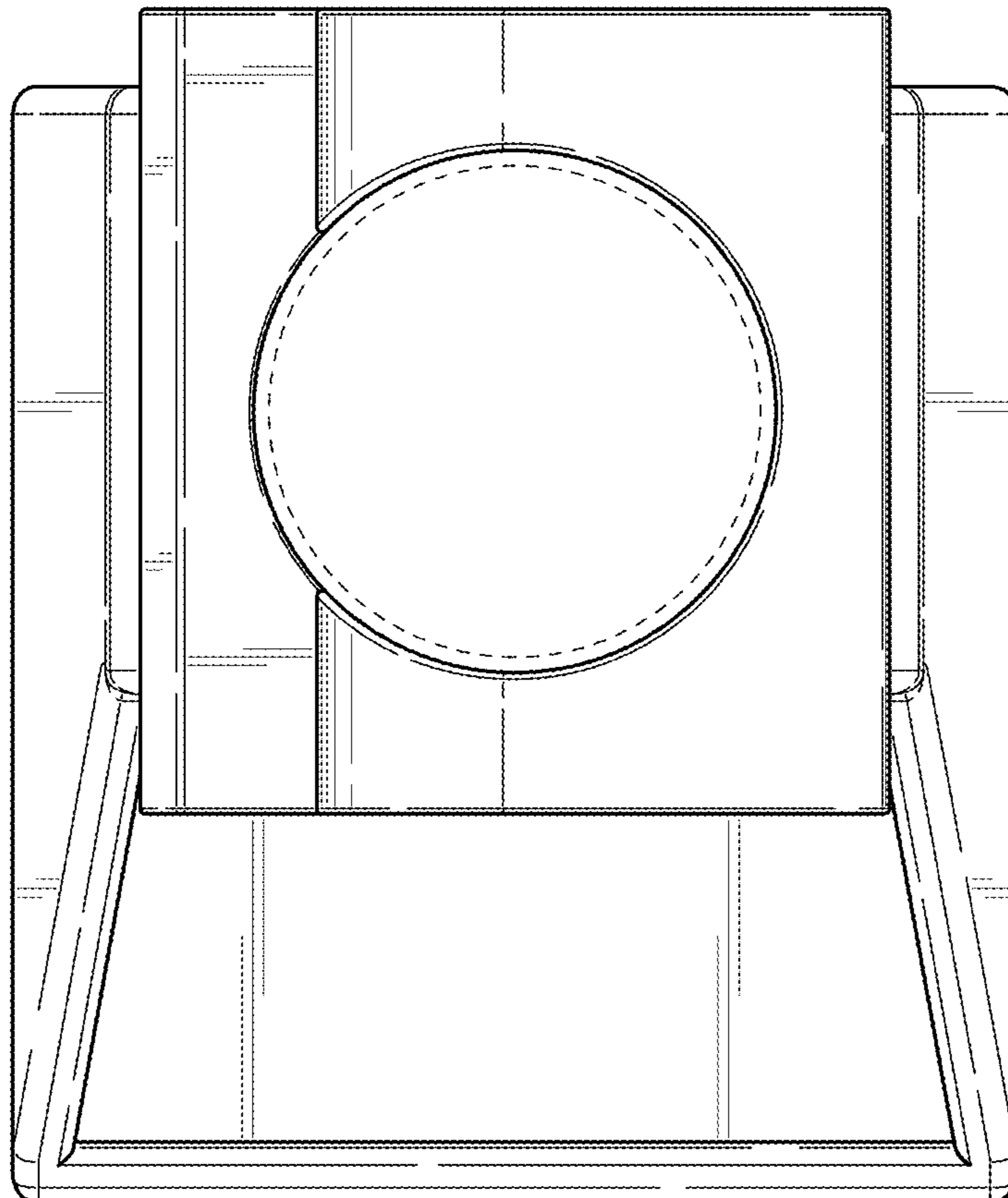


FIG. 9

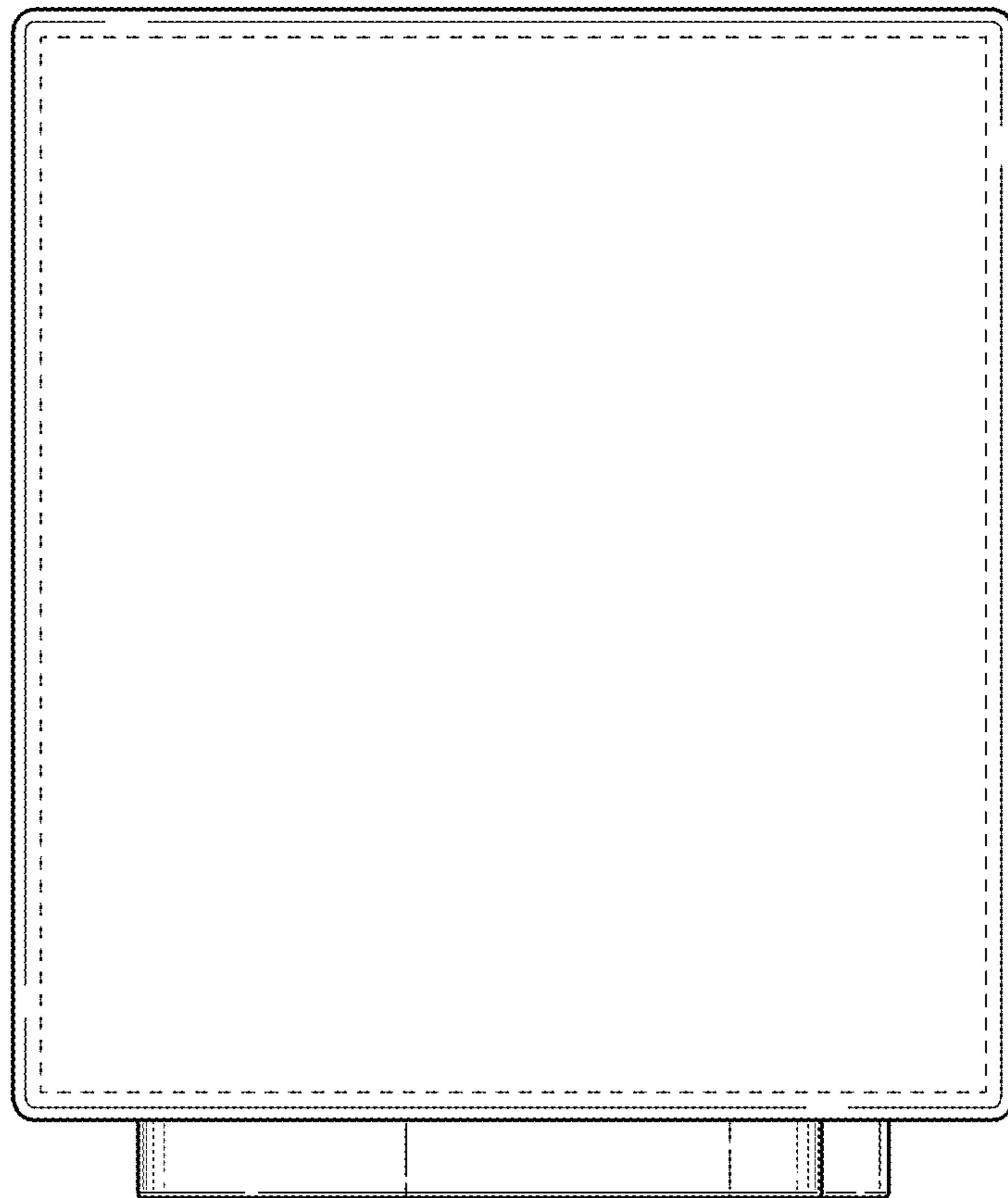


FIG. 10