



US00D887474S

(12) **United States Design Patent**
Yeh et al.

(10) **Patent No.:** **US D887,474 S**
(45) **Date of Patent:** **** Jun. 16, 2020**

(54) **CAMERA**

(71) Applicant: **DYNACOLOR, INC.**, Taipei (TW)

(72) Inventors: **Hsing-Fang Yeh**, Taipei (TW); **Bo-Ruei Huang**, Taipei (TW)

(73) Assignee: **DYNACOLOR, INC.**, Taipei (TW)

(**) Term: **15 Years**

(21) Appl. No.: **29/691,582**

(22) Filed: **May 17, 2019**

(51) **LOC (12) Cl.** **16-01**

(52) **U.S. Cl.**
USPC **D16/203**

(58) **Field of Classification Search**
USPC D16/200, 202–206, 218, 219, 242;
348/143, 148, 151, 373–376; 396/419,
396/427, 535, 539–541
CPC G03B 17/02; G03B 19/04; G03B 17/56;
G03B 17/04; G03B 15/03; H04N 5/2251;
H04N 5/2252; H04N 5/2253; H04N
5/2254; H04N 7/181; H04N 7/183; H04N
7/18; G08B 13/1963; G08B 13/19619;
G08B 13/19632; F16M 11/04; F16M
13/00

See application file for complete search history.

(56) **References Cited**

U.S. PATENT DOCUMENTS

D606,105 S * 12/2009 Hinkel D16/203
D701,258 S * 3/2014 Huang D16/203
D804,074 S * 11/2017 Fang D26/65

D804,075 S * 11/2017 Fang D26/65
D818,026 S * 5/2018 Ravat D16/203
D824,446 S * 7/2018 Ravat D16/203
D827,691 S * 9/2018 Zhong D16/203
D837,274 S * 1/2019 Ainetoft D16/203
D857,777 S * 8/2019 Rosenkvist D16/203
D863,399 S * 10/2019 Li D16/203
D873,886 S * 1/2020 Rusz D16/203
D873,888 S * 1/2020 Rusz D16/203
D881,968 S * 4/2020 Persson D16/203

* cited by examiner

Primary Examiner — Ramzi S Almatrahi

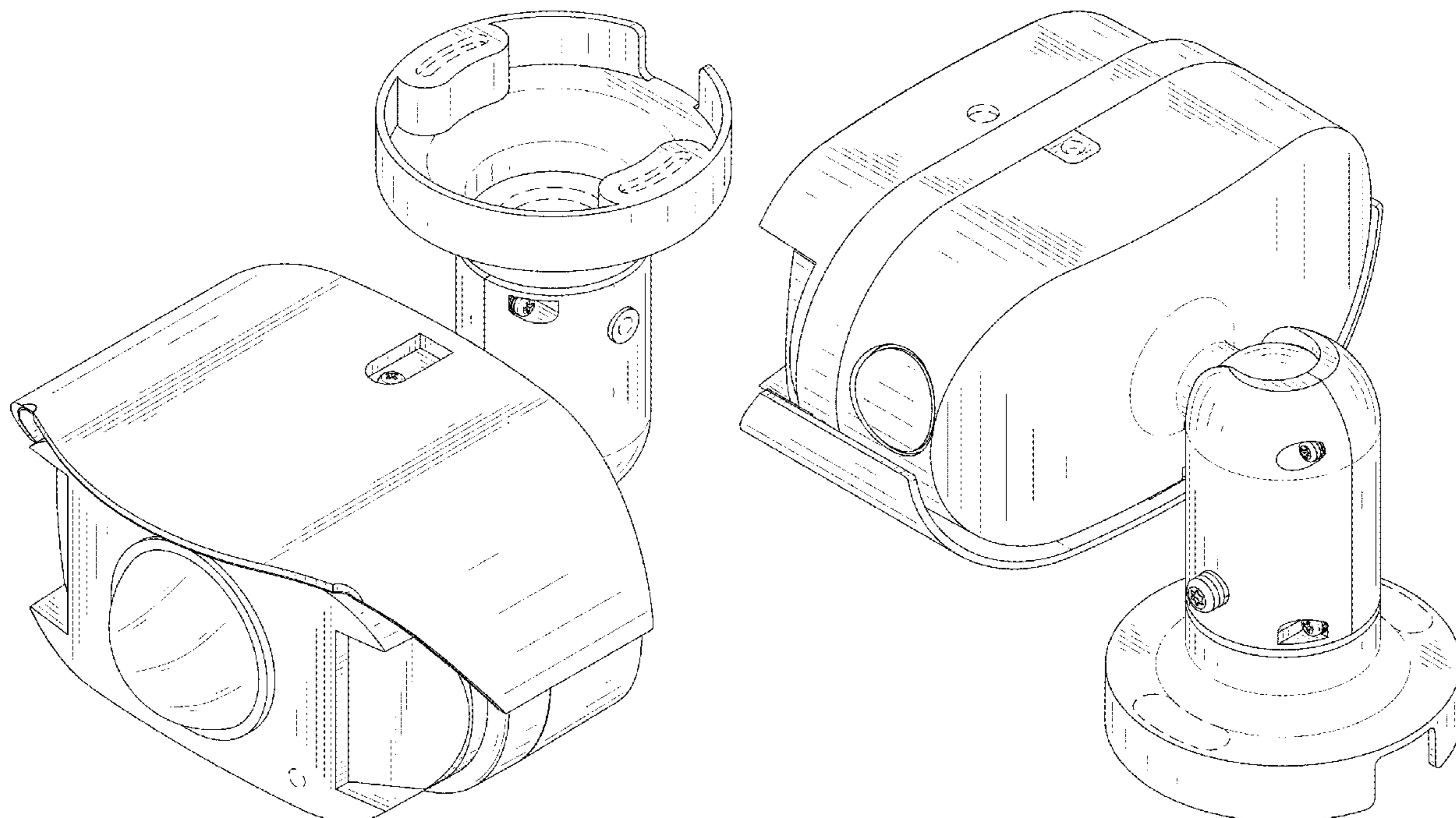
(57) **CLAIM**

The ornamental design for a camera, as shown and described.

DESCRIPTION

FIG. 1 is a top, front and right side perspective view of a camera showing our new design;
FIG. 2 is a bottom, rear and left side perspective view thereof;
FIG. 3 is a front elevational view thereof;
FIG. 4 is a rear elevational view thereof;
FIG. 5 is a left side view thereof;
FIG. 6 is a right side view thereof;
FIG. 7 is a top plan view thereof;
FIG. 8 is a bottom plan view thereof; and,
FIG. 9 is an enlarged view of portion 9 shown in FIG. 3.
The broken lines depict portions of the camera in which the design is embodied that form no part of the claimed design. The dot-dash broken lines enclosing an enlargement portion of the design forms no part of the claimed design.

1 Claim, 9 Drawing Sheets



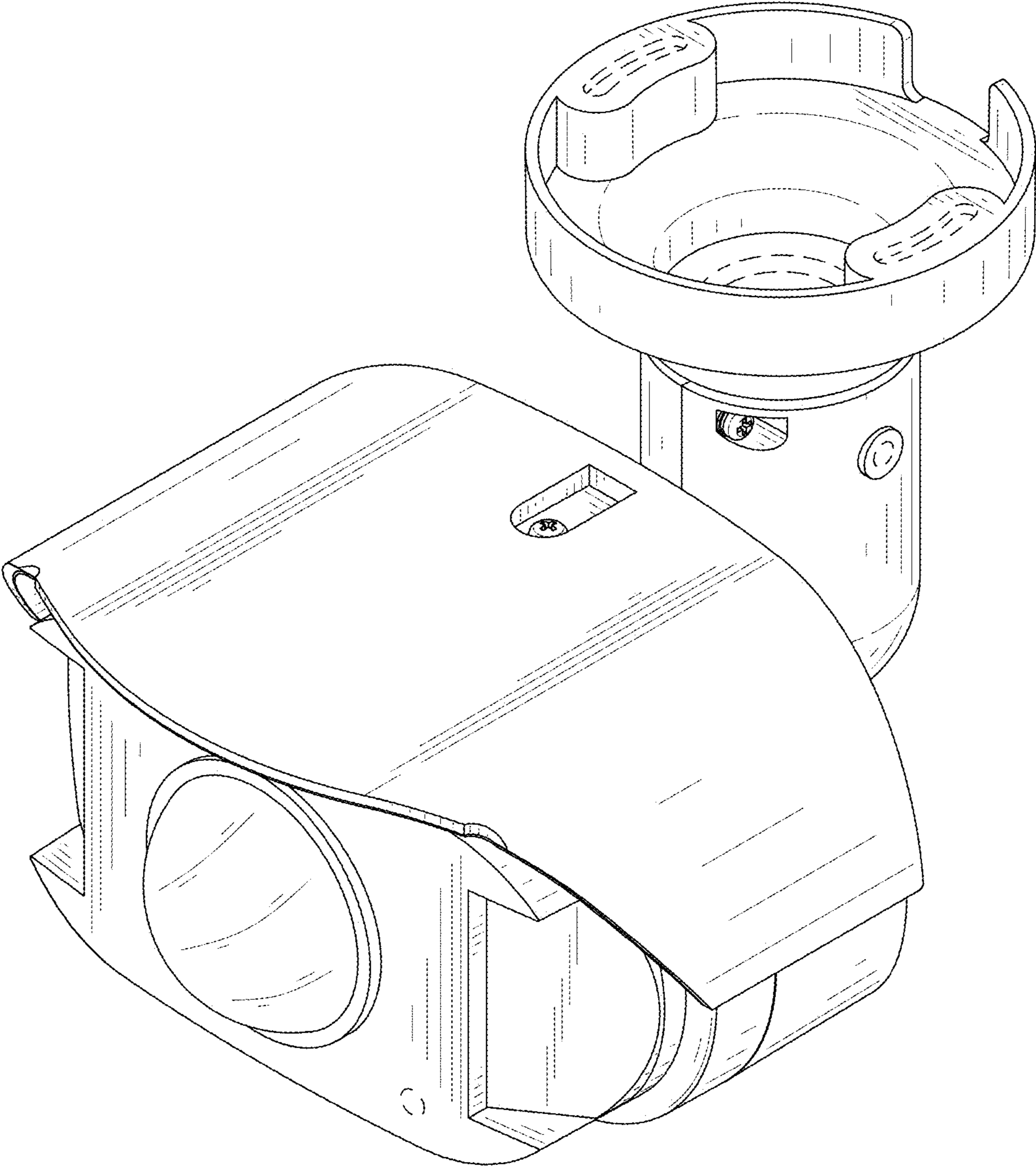


FIG. 1

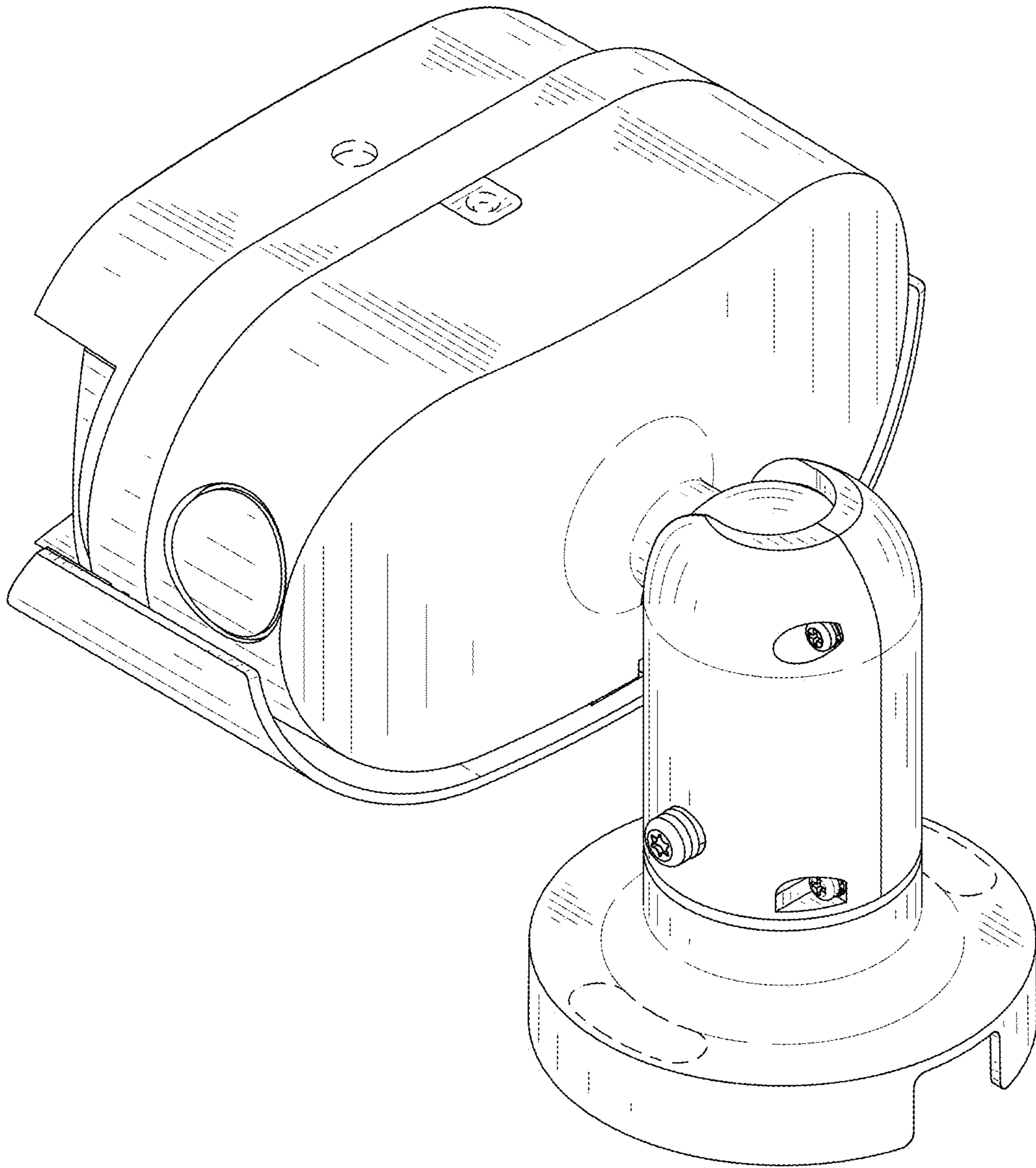


FIG. 2

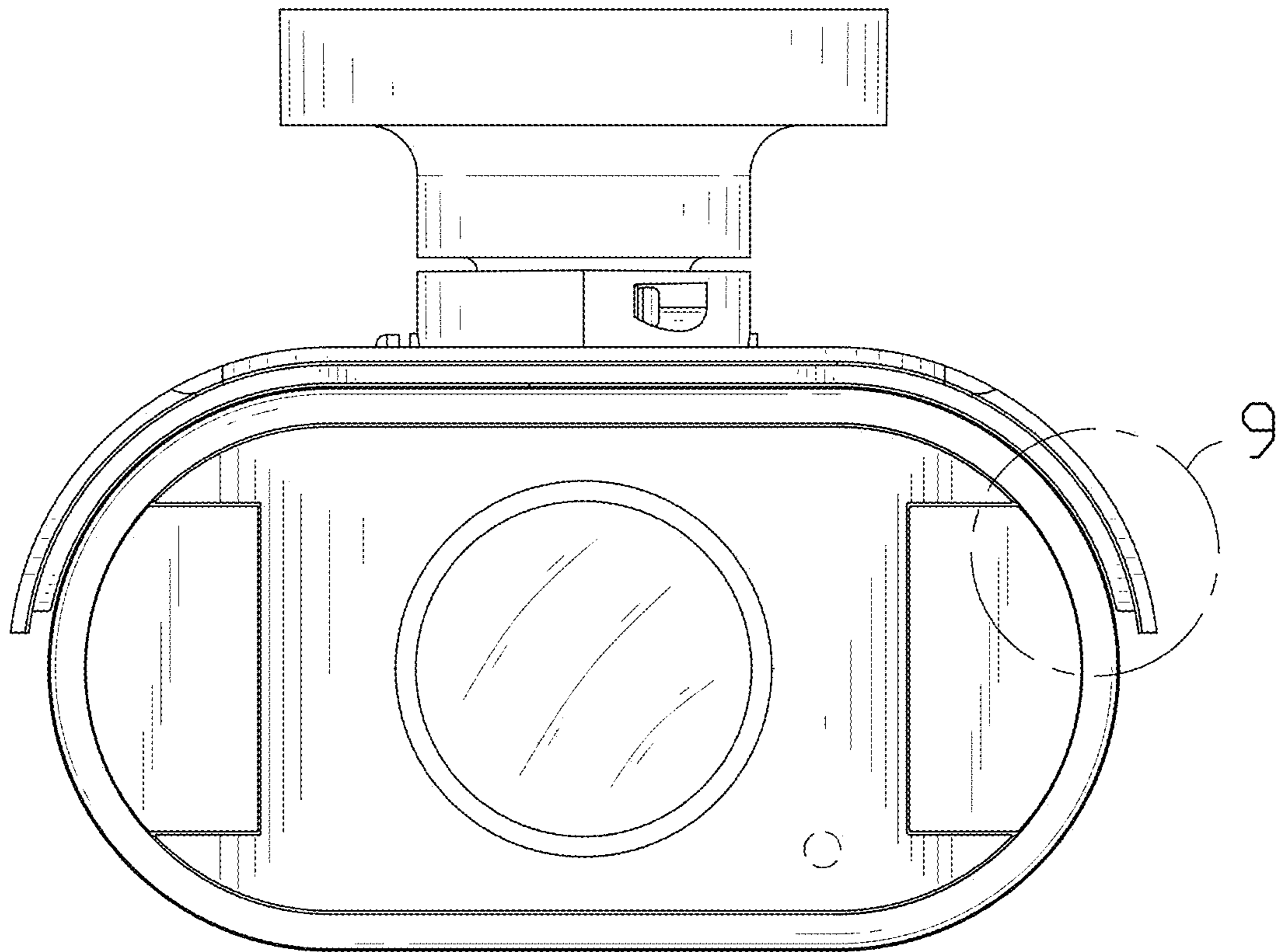


FIG. 3

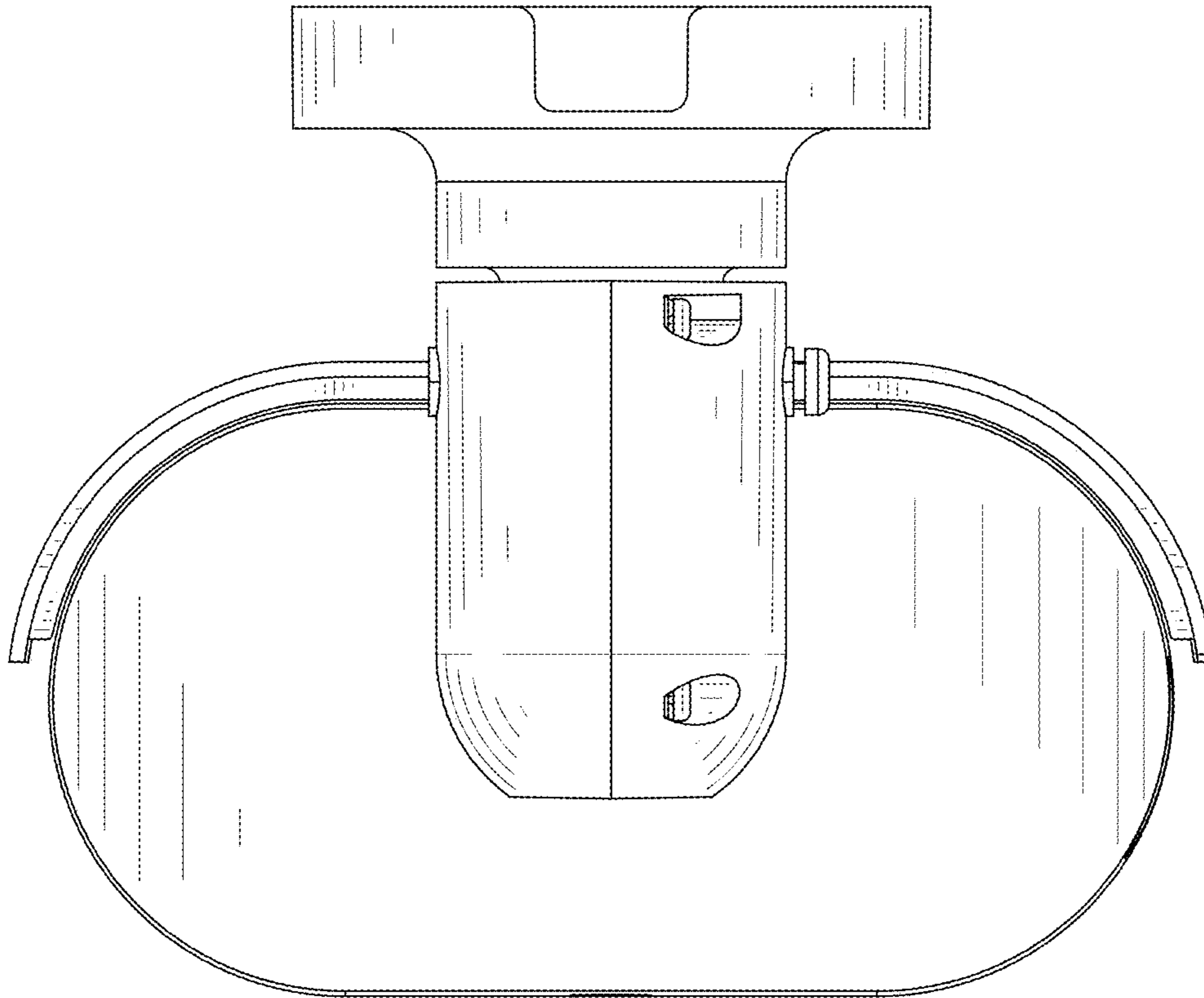


FIG. 4

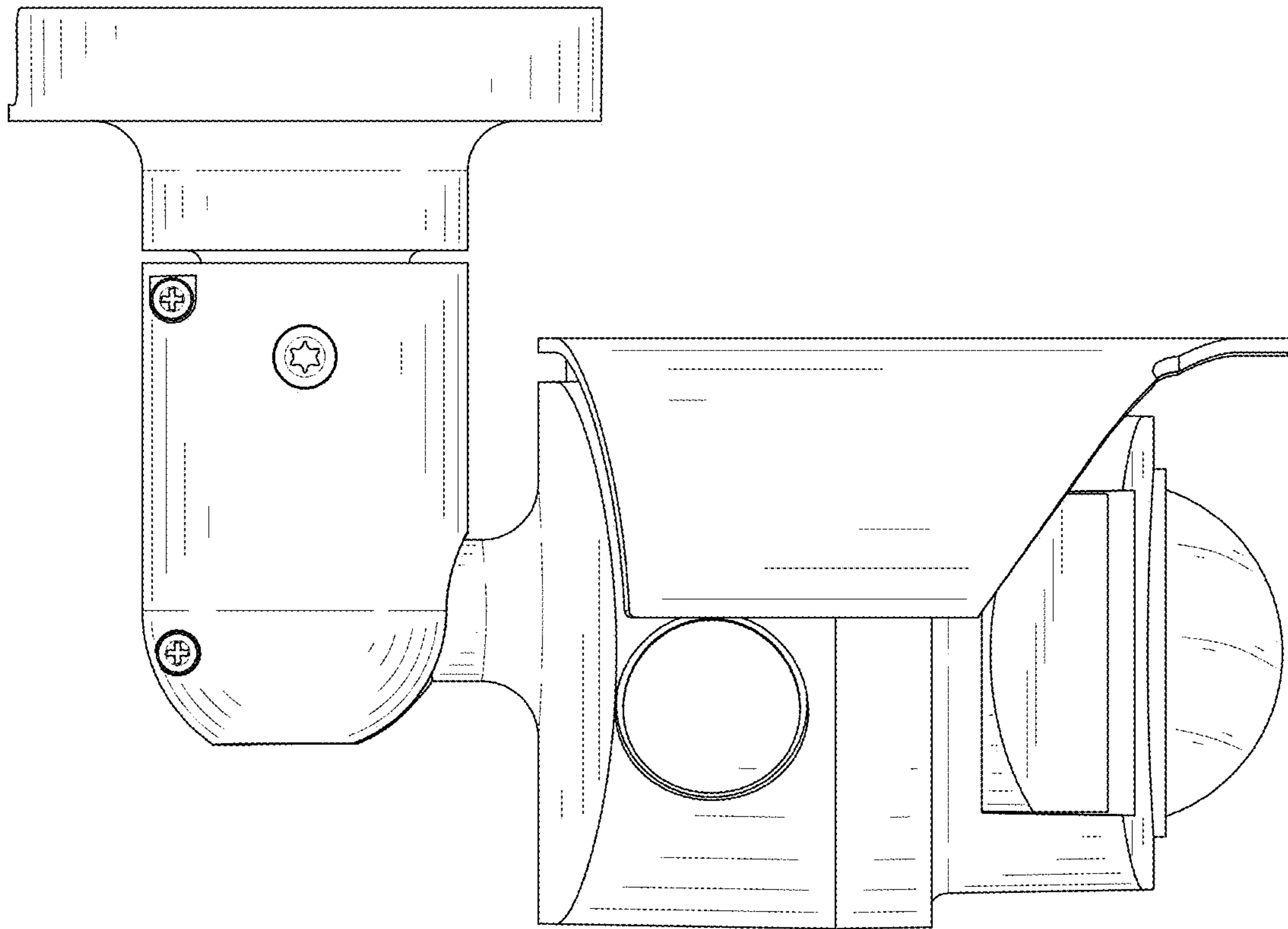


FIG. 5

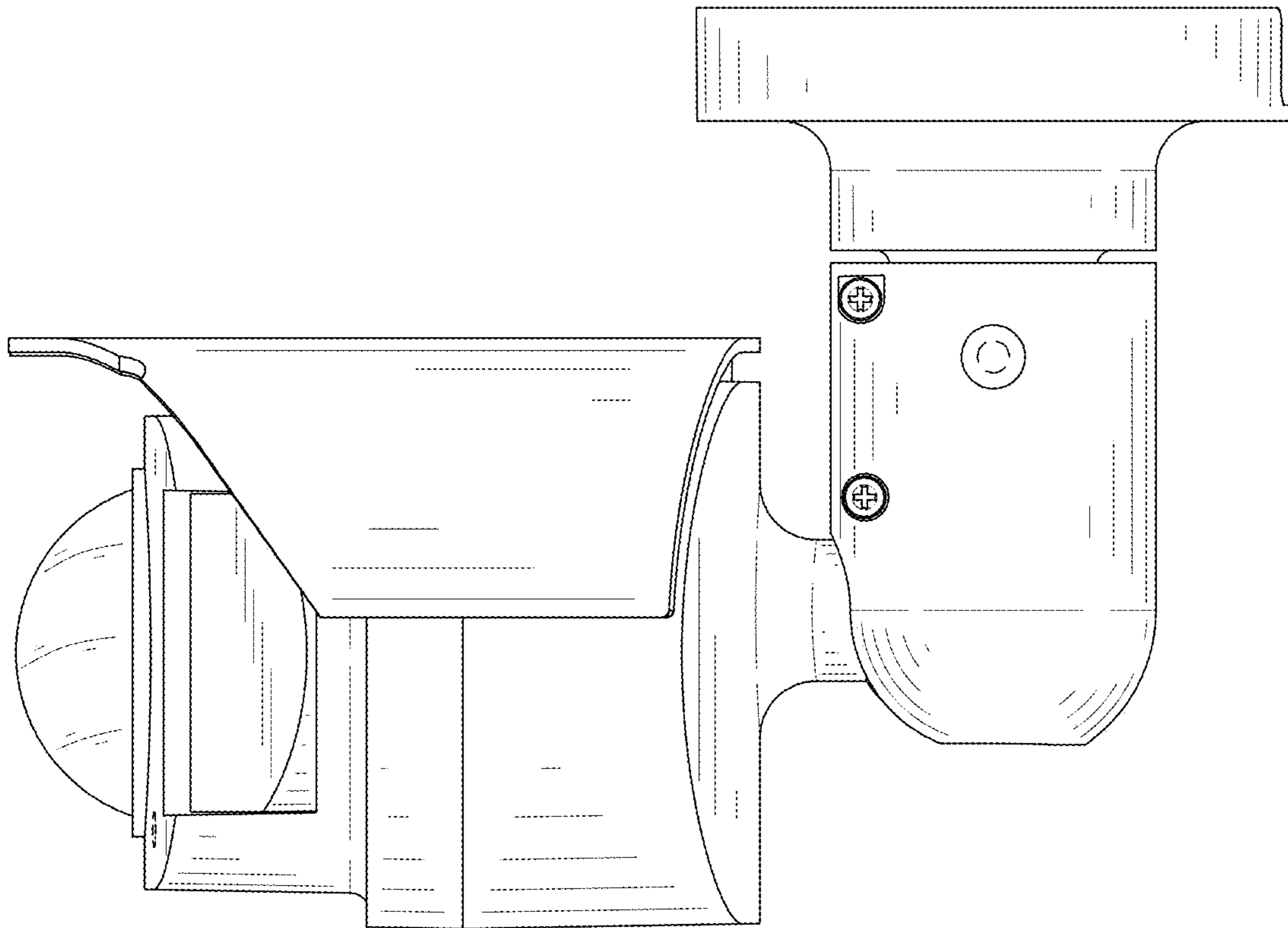


FIG. 6

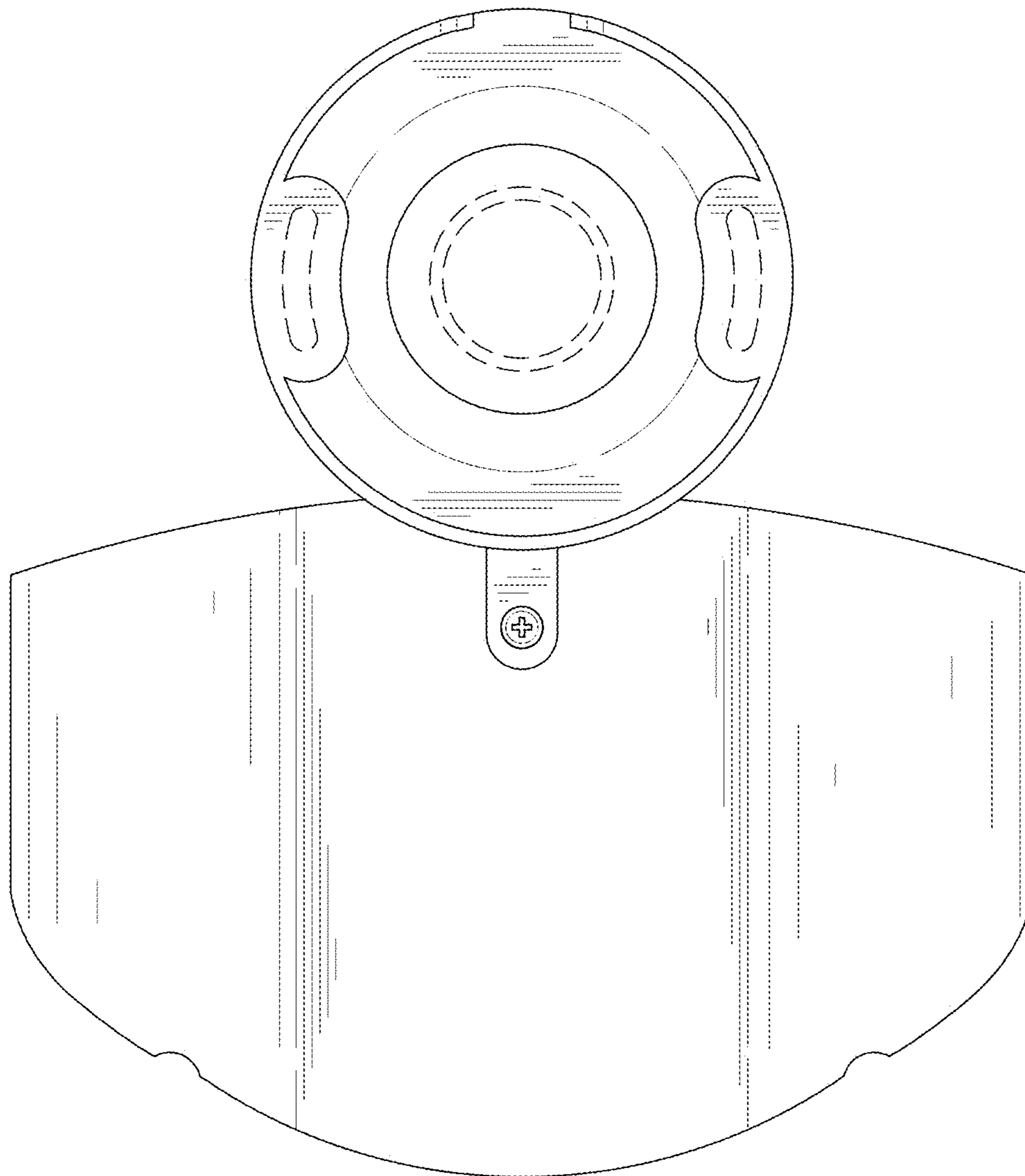


FIG. 7

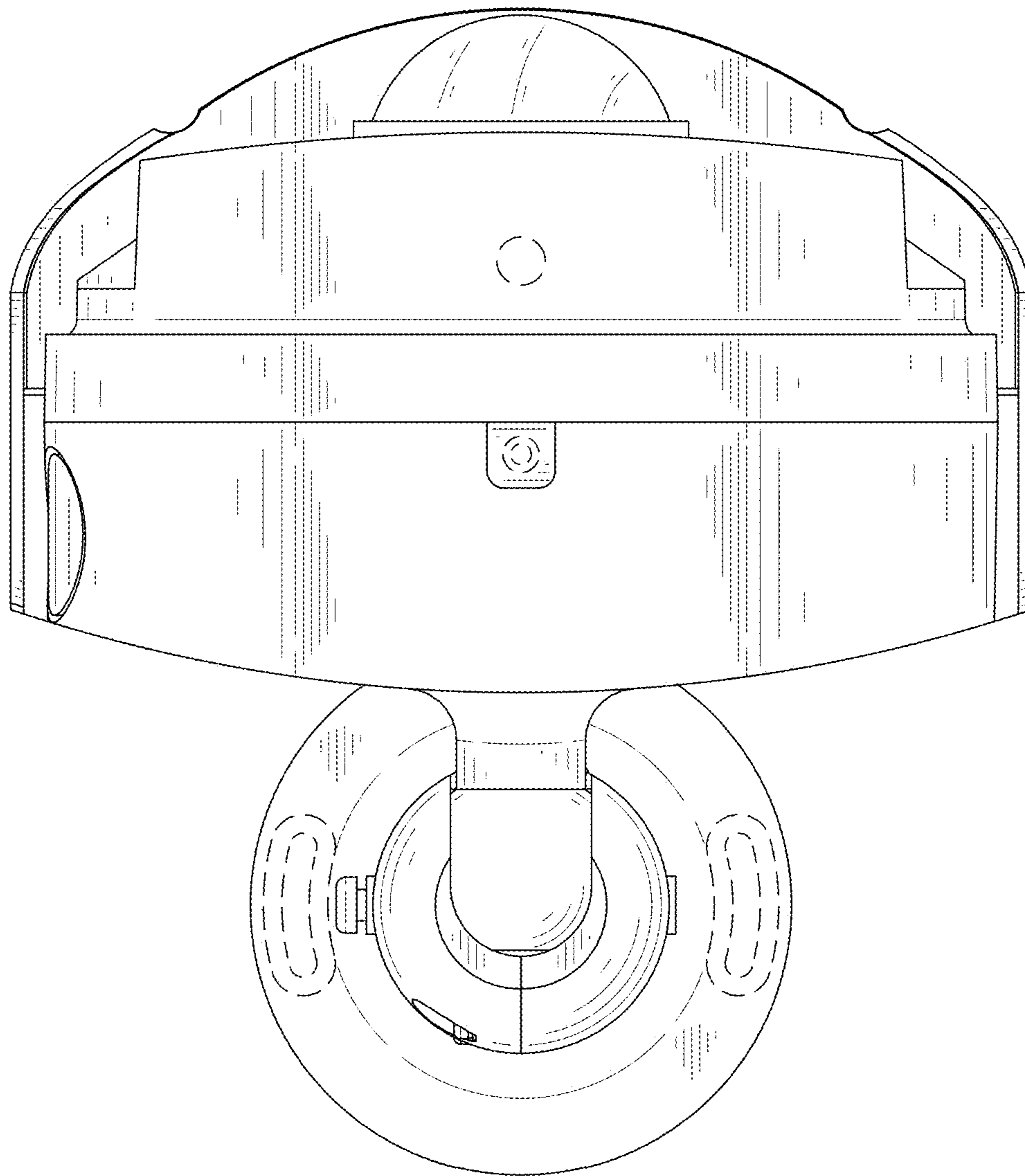


FIG. 8

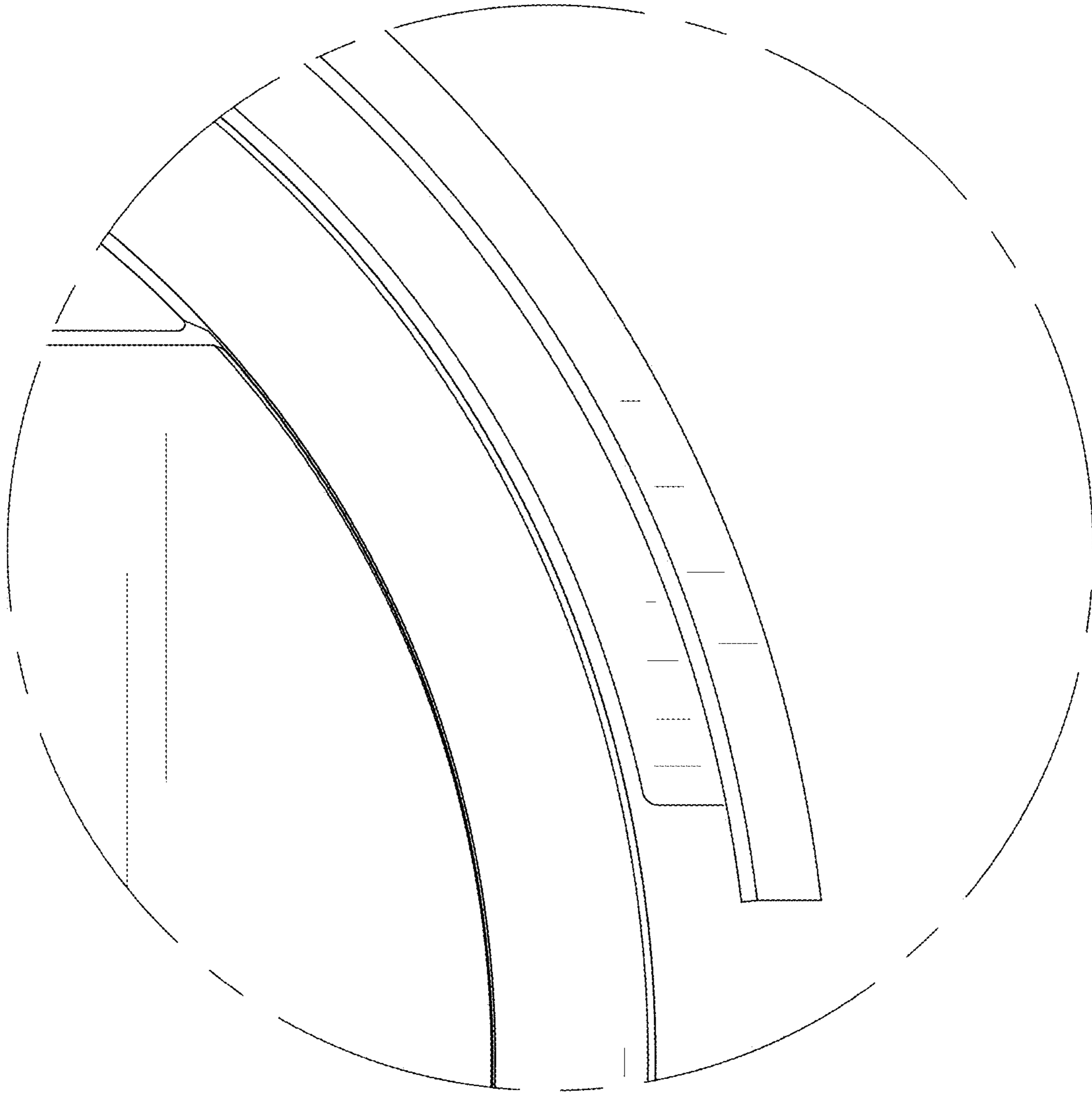


FIG. 9