



US00D887473S

(12) **United States Design Patent**
Park

(10) **Patent No.:** **US D887,473 S**

(45) **Date of Patent:** **** Jun. 16, 2020**

(54) **SURVEILLANCE CAMERA FOR VEHICLE**

(71) Applicant: **Hanwha Techwin Co., Ltd.**,
Seongnam-si (KR)

(72) Inventor: **Ho Jin Park**, Seongnam-si (KR)

(73) Assignee: **HANWHA TECHWIN CO., LTD.**,
Seongnam-si (KR)

(**) Term: **15 Years**

(21) Appl. No.: **29/655,432**

(22) Filed: **Jul. 3, 2018**

(30) **Foreign Application Priority Data**

Jan. 4, 2018 (KR) 30-2018-0000643

(51) **LOC (12) Cl.** **16-01**

(52) **U.S. Cl.**
USPC **D16/203**

(58) **Field of Classification Search**
USPC D16/200–220, 131, 237, 242, 239, 250,
D16/235, 130, 134, 136, 238;
D14/138 C, 240, 248, 203.1, 203.3, 203.7,
D14/218, 207; D10/104.1, 50, 65, 74,
D10/70, 118.2
CPC . G02B 7/02; G02B 7/021; G02B 7/04; G02B
7/14; G02B 7/003; G03B 17/00; G03B
17/02; G03B 17/56; G03B 17/04; G03B
17/14; G03B 17/08; G03B 15/03; G03B
15/06; H04N 5/2251; H04N 5/2252;
H04N 5/2253; H04N 5/2254; H04N 7/00;
H04N 2101/00; F16M 13/00
See application file for complete search history.

(56) **References Cited**

U.S. PATENT DOCUMENTS

D212,228 S * 9/1968 Kelly D10/50
D252,209 S * 6/1979 Taylor D16/239

D273,012 S * 3/1984 Kozloski D16/203
D279,554 S * 7/1985 Hicks D10/103
D307,030 S * 4/1990 Kyhl D16/232
D320,028 S * 9/1991 Sedighzadeh D16/203
D328,436 S * 8/1992 Fuerst D10/46
D334,763 S * 4/1993 Sedighzadeh D16/203
D403,340 S * 12/1998 Arbuckle D16/203
6,392,704 B1 * 5/2002 Garcia-Ortiz G08B 13/19619
340/937
D508,064 S * 8/2005 Ramirez D16/200
D511,786 S * 11/2005 Apotheloz D16/131
D528,445 S * 9/2006 Au Yeung D10/70
D556,233 S * 11/2007 Webb D16/202

(Continued)

FOREIGN PATENT DOCUMENTS

EM 000864582-0001 2/2008
KR 30-0360575 S 9/2004

(Continued)

Primary Examiner — T Chase Nelson

Assistant Examiner — Mary Claire Ramirez

(74) *Attorney, Agent, or Firm* — Sughrue Mion, PLLC

(57) **CLAIM**

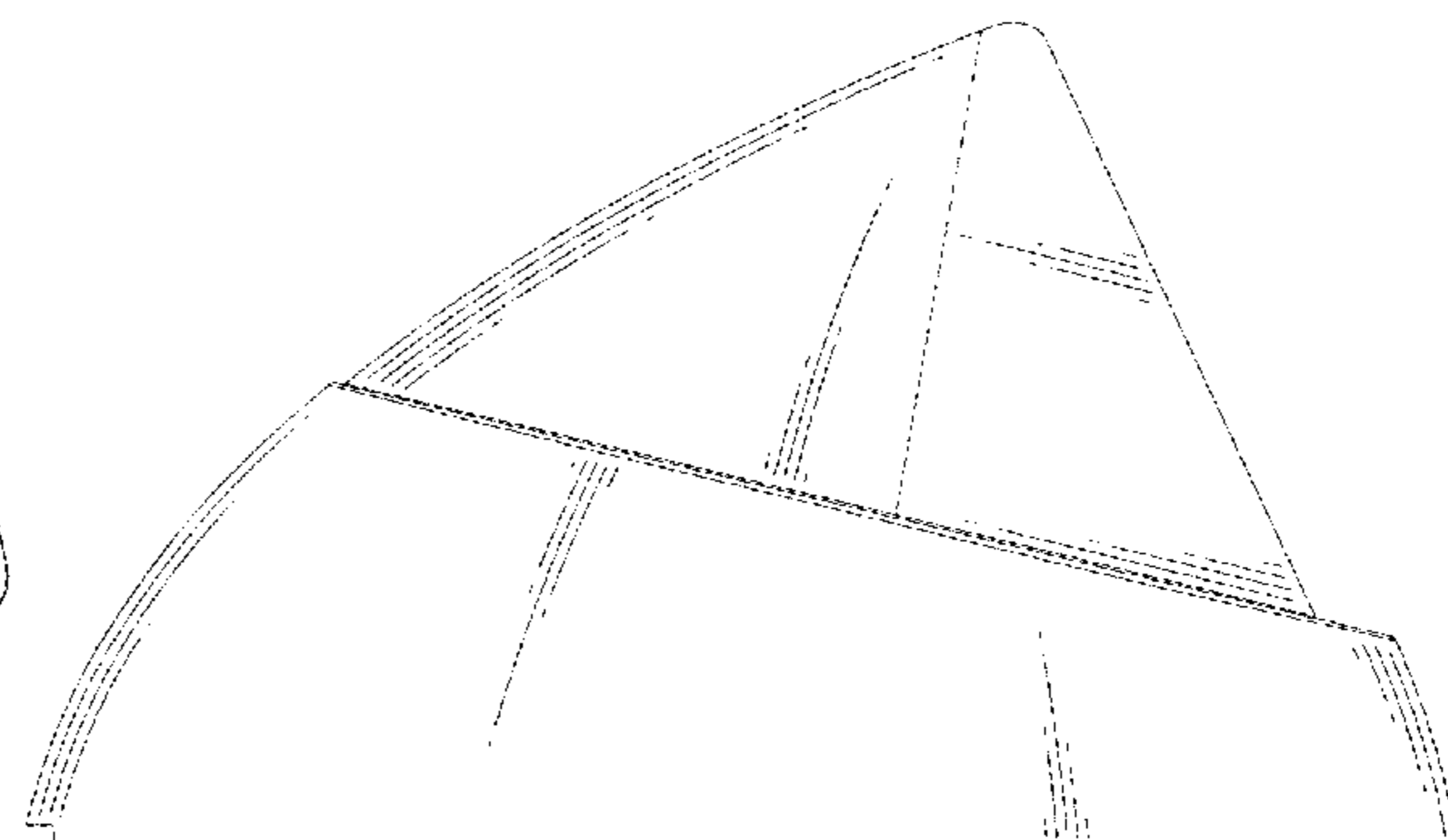
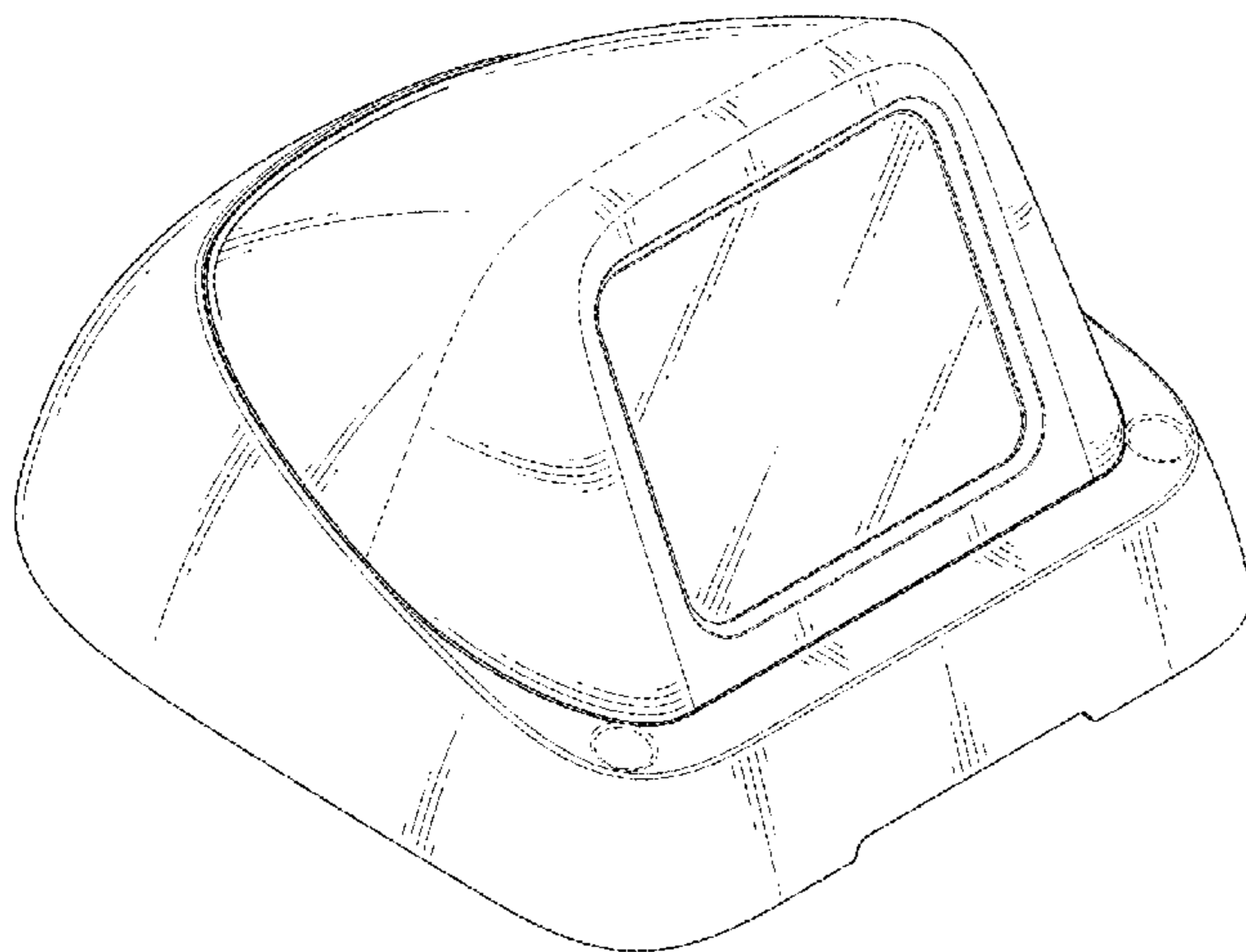
The ornamental design for a surveillance camera for vehicle,
as shown and described.

DESCRIPTION

FIG. 1 is a front perspective view of a surveillance camera
for vehicle showing the new design;
FIG. 2 is a front view thereof;
FIG. 3 is a rear view thereof;
FIG. 4 is a left side view thereof;
FIG. 5 is a right side view thereof;
FIG. 6 is a top view thereof; and,
FIG. 7 is a bottom view thereof.

The broken lines shown in the drawings depict portions of
the surveillance camera for vehicle that form no part of the
claimed design.

1 Claim, 5 Drawing Sheets



(56)

References Cited

U.S. PATENT DOCUMENTS

D676,077	S	*	2/2013	Miyauchi	D16/225
D680,567	S	*	4/2013	Funakoshi	D16/131
D700,231	S	*	2/2014	Berkmortel	D16/203
D716,362	S	*	10/2014	Generotti	D16/237
D739,887	S	*	9/2015	Fish, Jr.	D16/202
D747,390	S	*	1/2016	Roth	D16/218
D750,684	S	*	3/2016	Katori	D16/203
D754,777	S	*	4/2016	Fish, Jr.	D12/223
D757,146	S	*	5/2016	Walter	D16/203
D812,125	S	*	3/2018	Ostreko	D16/242
D812,669	S	*	3/2018	Huang	D16/203
D817,382	S	*	5/2018	Roth	D16/242
D829,801	S	*	10/2018	Park	D16/203
D834,633	S	*	11/2018	Carlson	D16/208
2014/0043465	A1	*	2/2014	Salomonsson	B60R 1/00
					348/113
2017/0070652	A1	*	3/2017	Muller	B60R 11/04
2018/0069993	A1	*	3/2018	Hart	H04N 5/2252
2018/0148000	A1	*	5/2018	Nakamura	B60R 11/04
2018/0220049	A1	*	8/2018	Yamada	H04N 5/2251
2018/0367712	A1	*	12/2018	Duncan	G06F 1/163
2019/0033689	A1	*	1/2019	Ha	H04N 5/2252

FOREIGN PATENT DOCUMENTS

KR	30-0801566	S	6/2015
KR	300801566.0000	*	6/2015
KR	30-0892492	S	2/2017
KR	300962196.0000	*	6/2018

* cited by examiner

FIG. 1

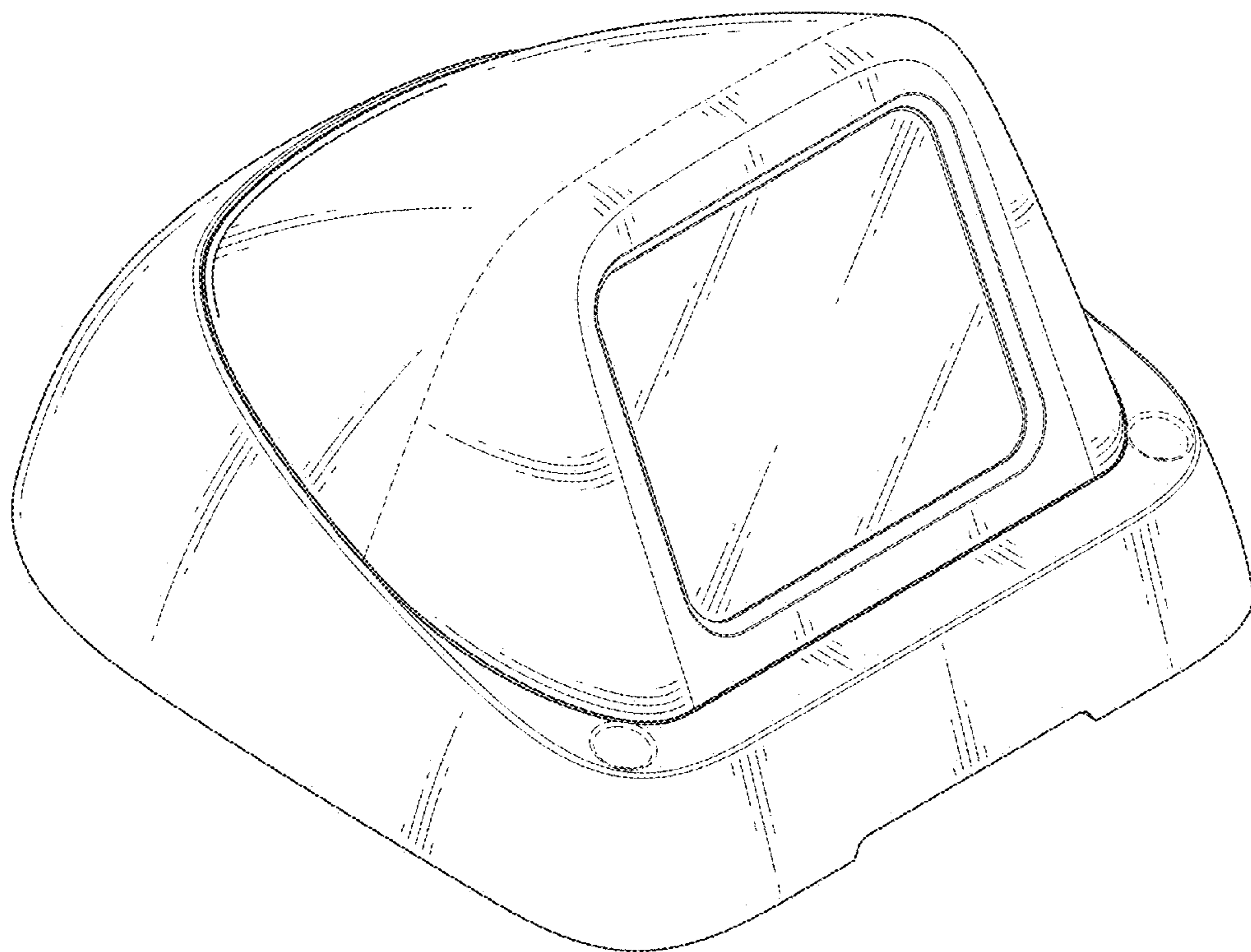


FIG. 2

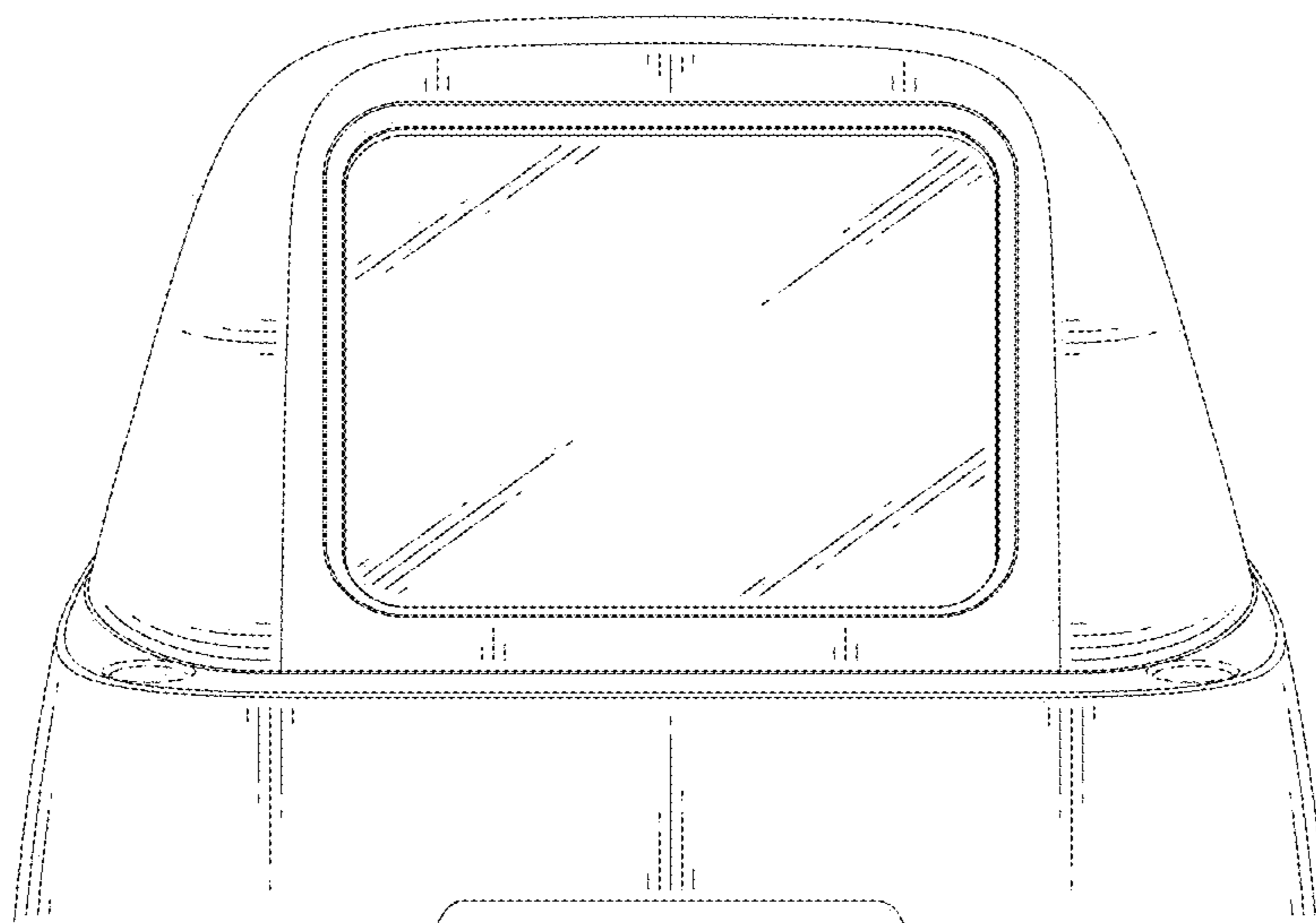


FIG. 3

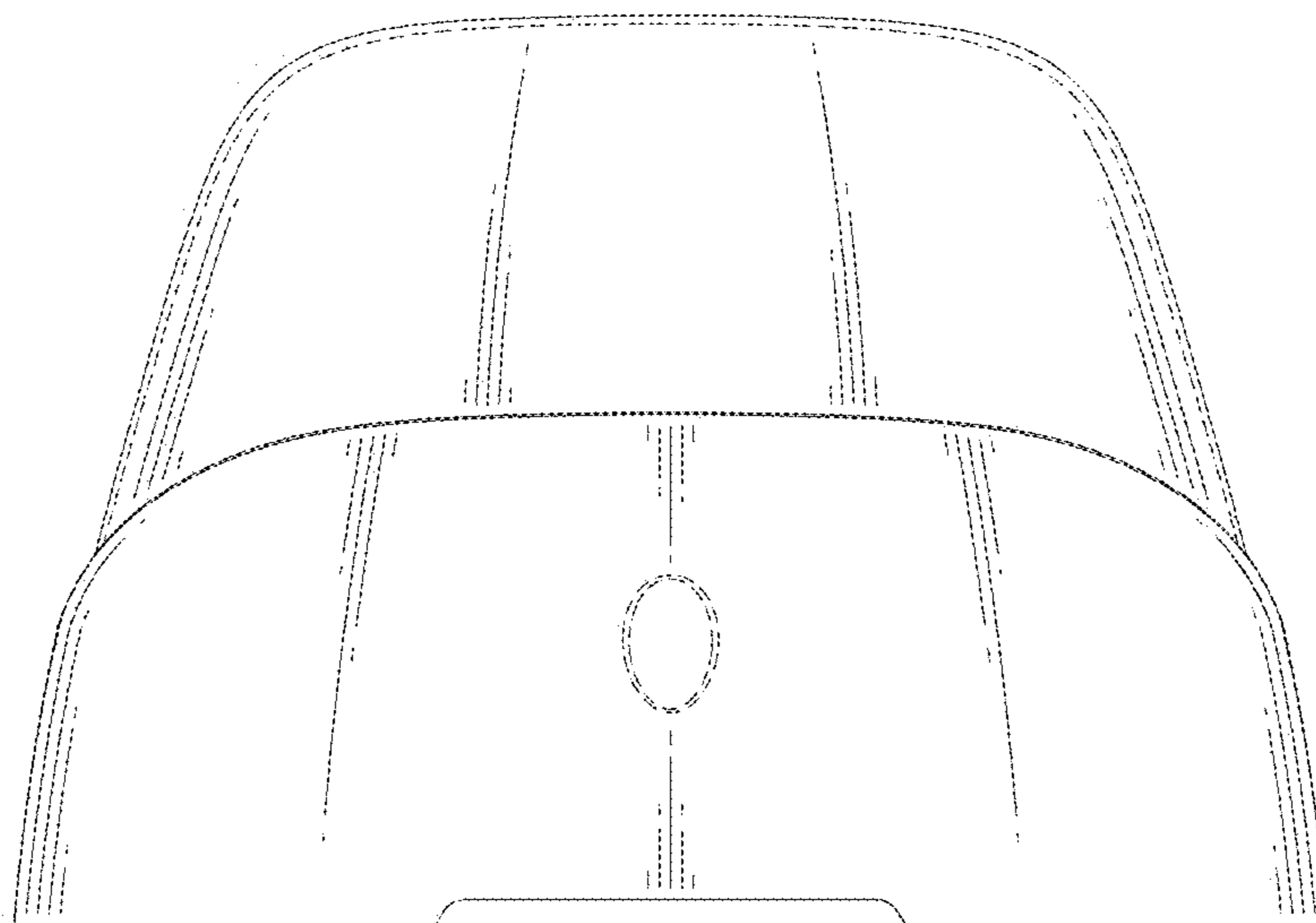


FIG. 4

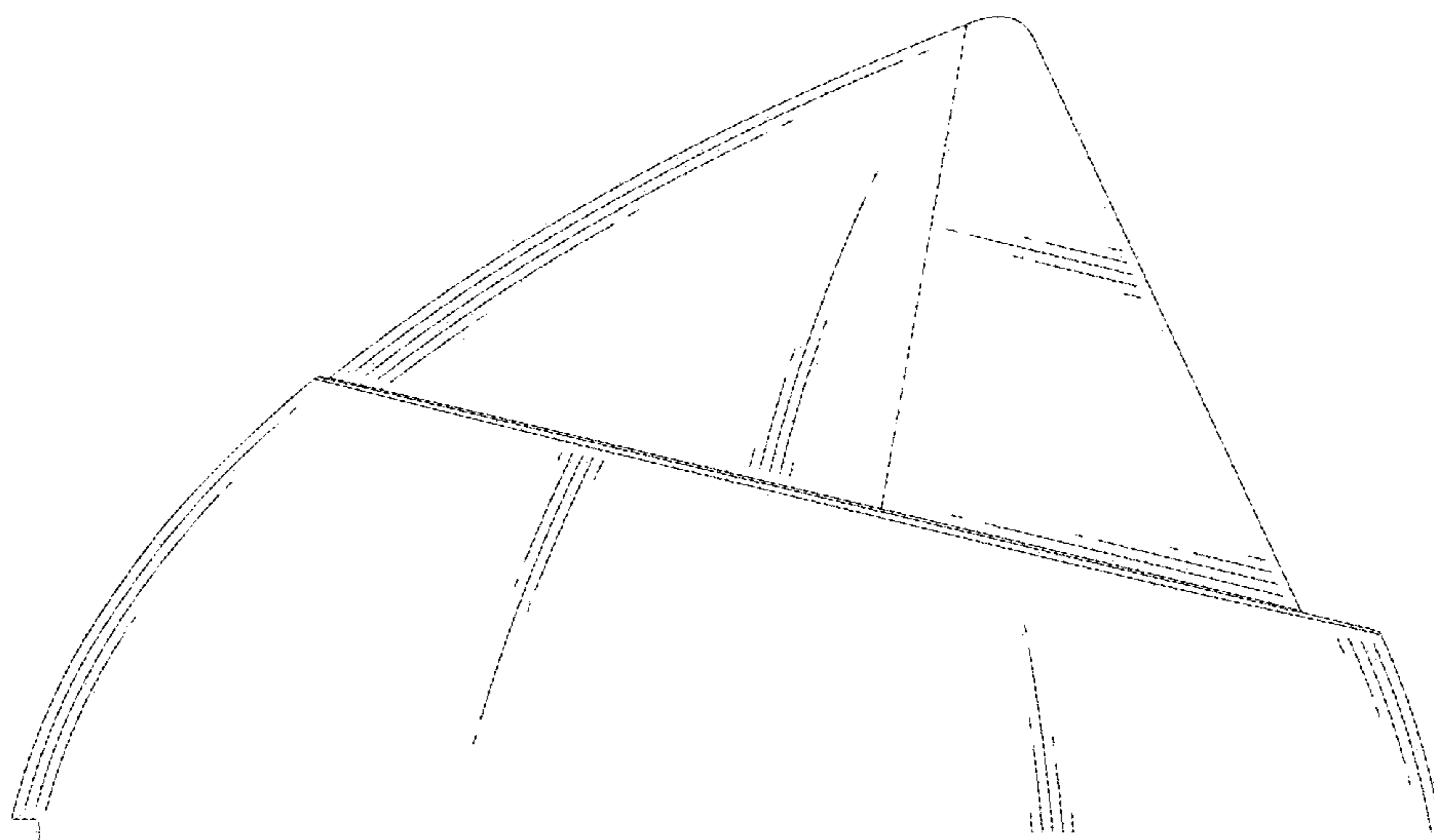


FIG. 5

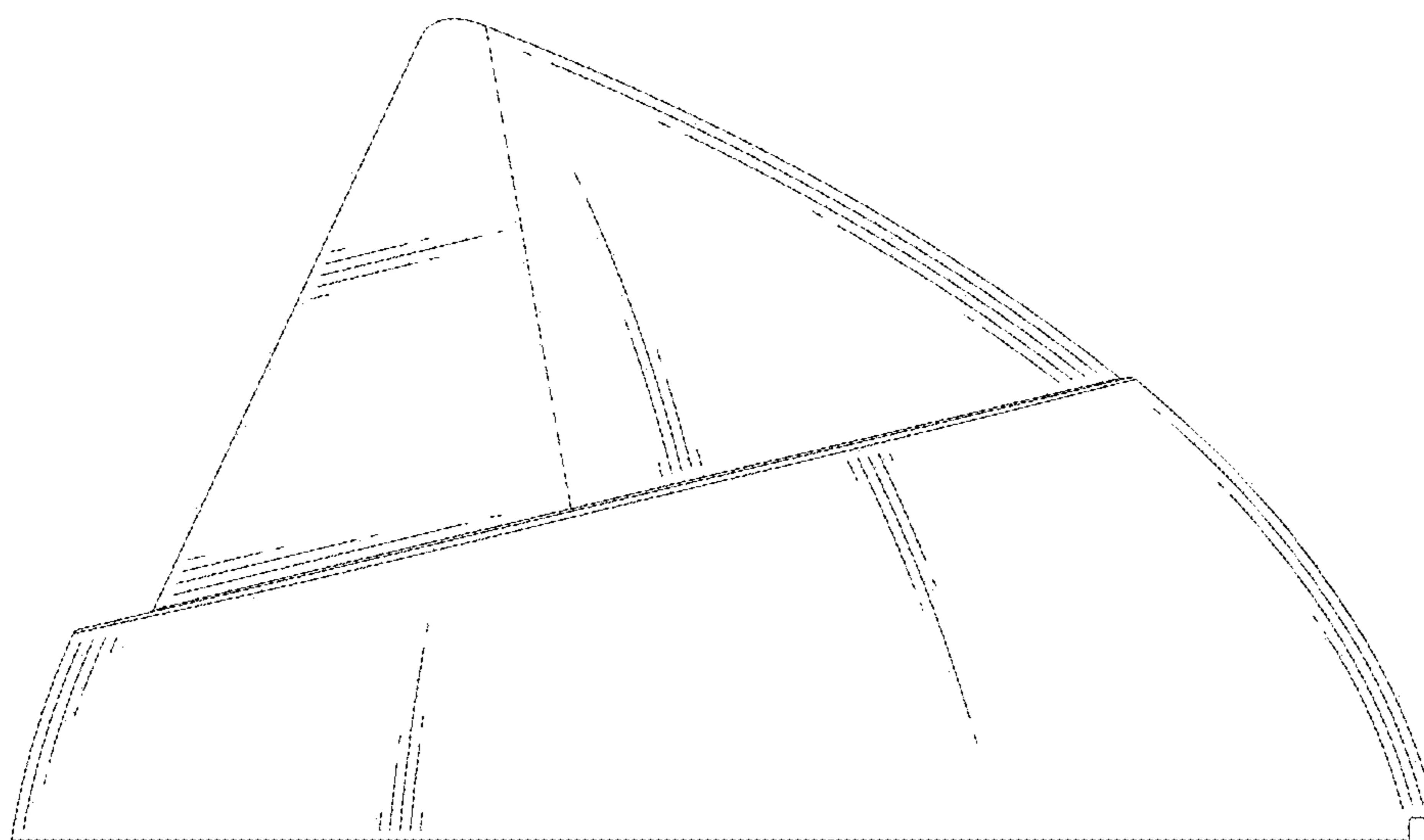


FIG. 6

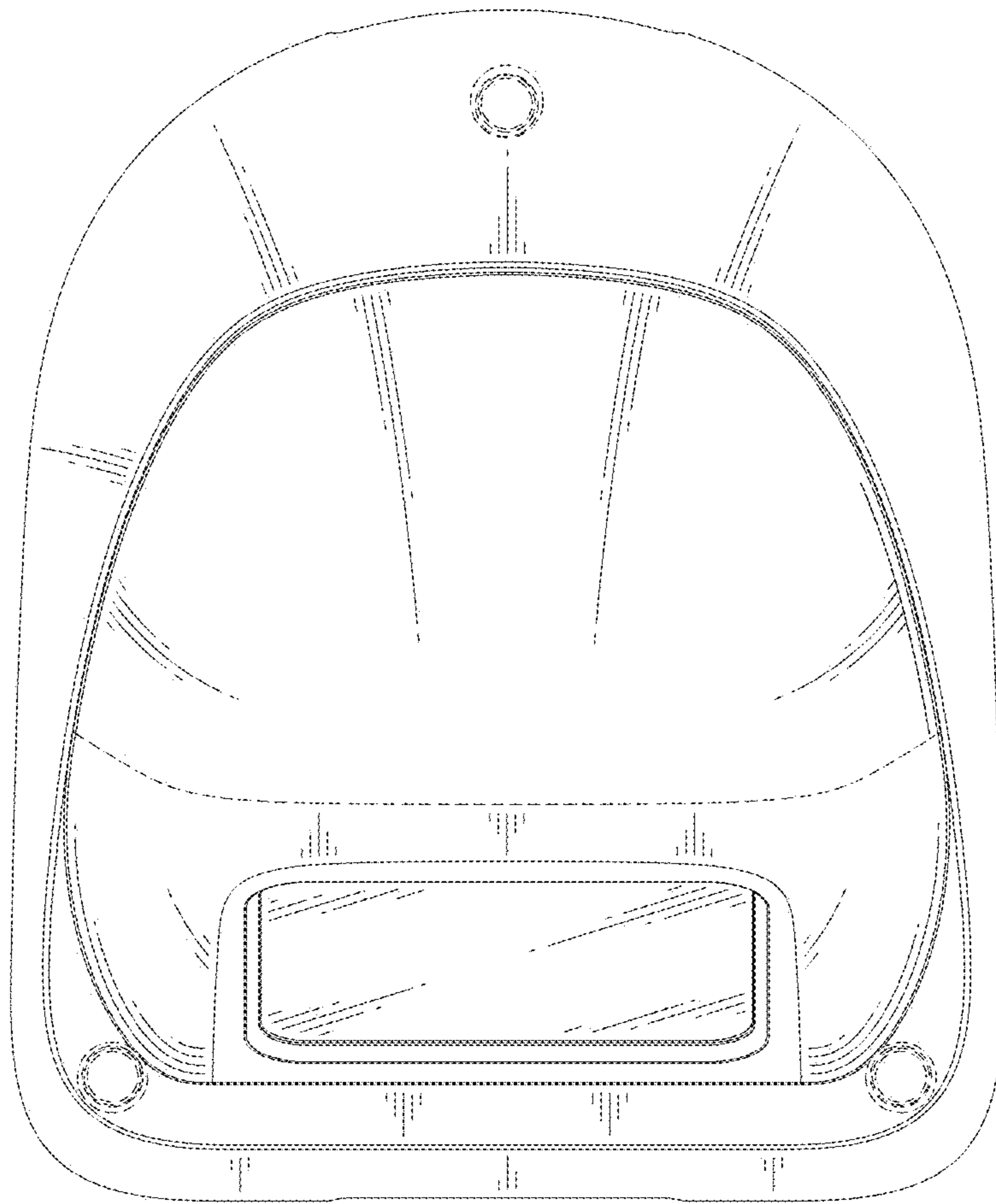


FIG. 7

