



US00D887472S

(12) **United States Design Patent**  
**Chen**

(10) **Patent No.:** **US D887,472 S**  
(45) **Date of Patent:** **\*\* Jun. 16, 2020**

(54) **CAMERA**

(71) Applicant: **SZ DJI Technology Co., Ltd.**,  
Shenzhen (CN)

(72) Inventor: **Yiwei Chen**, Shenzhen (CN)

(73) Assignee: **SZ DJI Technology Co., Ltd.**,  
Shenzhen (CN)

(\*\*) Term: **15 Years**

(21) Appl. No.: **29/720,212**

(22) Filed: **Jan. 10, 2020**

**Related U.S. Application Data**

(63) Continuation of application No. 29/654,663, filed on  
Jun. 26, 2018, now Pat. No. Des. 874,531.

(51) **LOC (12) Cl.** ..... **16-01**

(52) **U.S. Cl.**  
USPC ..... **D16/202**; D16/200; D16/219

(58) **Field of Classification Search**  
USPC ..... D16/200–220, 131, 237, 242, 239, 250,  
D16/235, 130, 134, 136, 238;  
D14/138 C, 240, 248, 203.1, 203.3, 203.7,  
D14/218, 207; D10/104.1, 50, 65, 74,  
D10/70, 118.2  
CPC . G02B 7/02; G02B 7/021; G02B 7/04; G02B  
7/14; G02B 7/003; G03B 17/00; G03B  
17/02; G03B 17/56; G03B 17/04;  
(Continued)

(56) **References Cited**

**U.S. PATENT DOCUMENTS**

D96,348 S 7/1935 Teague  
D327,953 S \* 7/1992 Jordan ..... D26/24  
(Continued)

**FOREIGN PATENT DOCUMENTS**

CN 304191920 6/2017  
CN 304505334 2/2018

(Continued)

**OTHER PUBLICATIONS**

Bodamer, Dean, “Another great piece of equipment for my YouTube  
Channel. DJI Osmo+ 4k camera with gimbal,” Twitter.com, [https://  
twitter.com/Bodamer44](https://twitter.com/Bodamer44), dated Feb. 19, 2018.

(Continued)

*Primary Examiner* — T Chase Nelson

*Assistant Examiner* — Mary Claire Ramirez

(74) *Attorney, Agent, or Firm* — Sterne, Kessler,  
Goldstein & Fox P.L.L.C.

(57) **CLAIM**

The ornamental design for a camera, as shown and  
described.

**DESCRIPTION**

This application is cross-reference related application, each  
of which is also incorporated herein in its entirety by  
reference thereto:

U.S. application Ser. No. 29/654,658, titled “Aerial Vehicle”  
U.S. application Ser. No. 29/654,662, titled “Battery”

U.S. application Ser. No. 29/654,665, titled “Camera With  
Gimbal”

FIG. 1 is a top front perspective view of a camera showing  
the claimed design;

FIG. 2 is a bottom rear perspective view thereof;

FIG. 3 is a front view thereof;

FIG. 4 is a rear view thereof;

FIG. 5 is a left side view thereof;

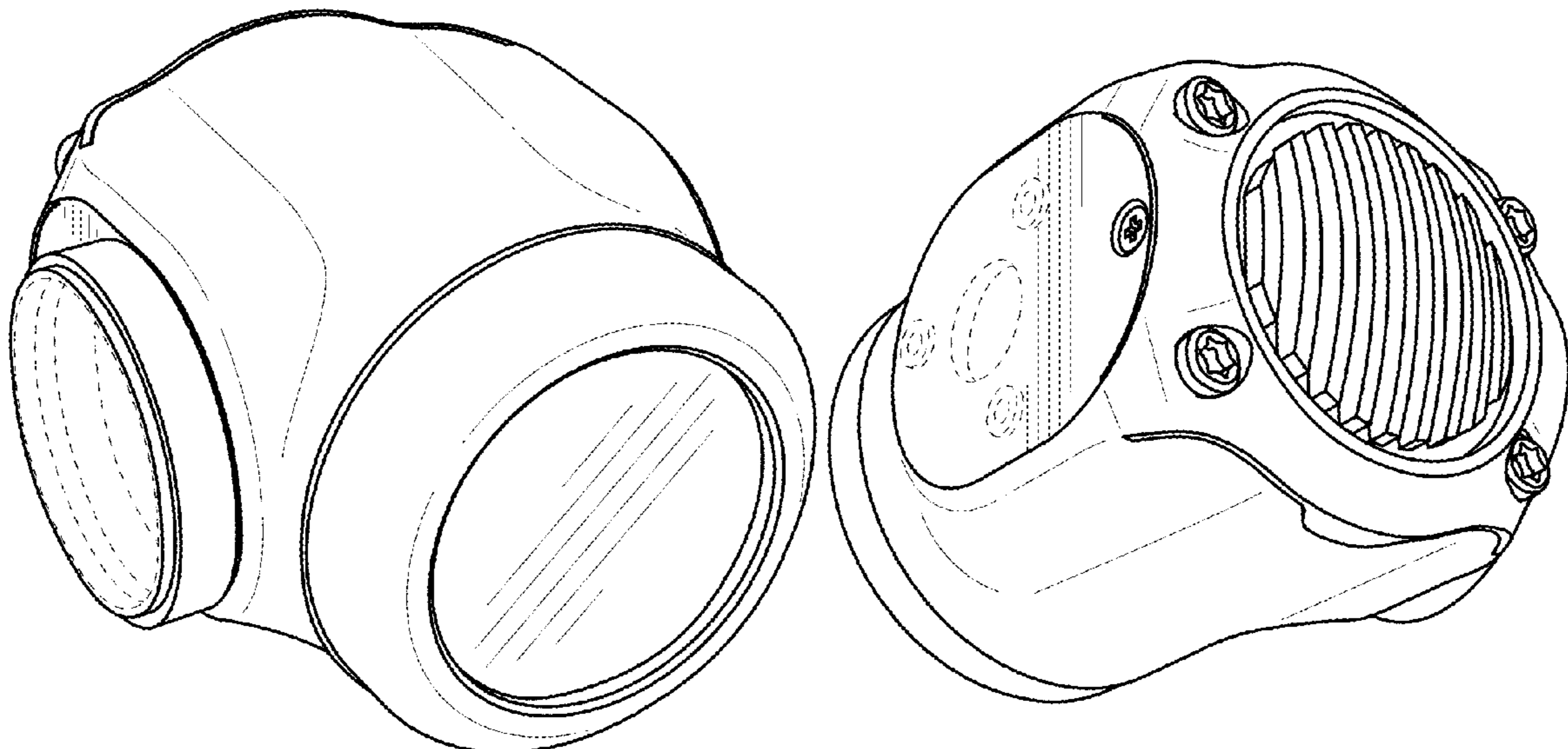
FIG. 6 is a right side view thereof;

FIG. 7 is a top view thereof; and,

FIG. 8 is a bottom view thereof.

The broken lines in the figures show portions of the camera  
that form no part of the claimed design.

**1 Claim, 4 Drawing Sheets**



(58) **Field of Classification Search**  
 CPC ..... G03B 17/14; G03B 17/08; G03B 15/03;  
 G03B 15/06; H04N 5/2251; H04N  
 5/2252; H04N 5/2253; H04N 5/2254;  
 H04N 7/00; H04N 2101/00; F16M 13/00  
 See application file for complete search history.

(56) **References Cited**

U.S. PATENT DOCUMENTS

D360,646 S 7/1995 Nomura  
 D434,515 S 11/2000 McNamara  
 D441,386 S 5/2001 Yamazaki  
 D461,798 S 8/2002 Nagase  
 7,905,463 B2\* 3/2011 Burnham ..... F16M 11/123  
 248/177.1  
 D646,822 S \* 10/2011 Johannessen ..... D14/371  
 D666,346 S \* 8/2012 Gebhard ..... D14/371  
 D703,851 S \* 4/2014 Gebhard ..... D26/44  
 D713,104 S 9/2014 Sproviero et al.  
 8,882,369 B1\* 11/2014 Nelson ..... H04N 5/2252  
 396/427  
 D727,387 S 4/2015 Hasegawa et al.  
 D734,521 S \* 7/2015 Gebhard ..... D26/63  
 D739,452 S 9/2015 Adams  
 D785,068 S 4/2017 Patsis et al.  
 D788,835 S 6/2017 Wu et al.  
 D790,000 S 6/2017 Wang et al.  
 D791,216 S 7/2017 Wang  
 D795,946 S 8/2017 Kim et al.  
 D799,448 S \* 10/2017 Zheng ..... D14/217  
 D799,581 S 10/2017 Lin  
 9,800,786 B1\* 10/2017 Wei ..... G03B 17/563  
 D810,171 S 2/2018 Kim et al.  
 D810,806 S 2/2018 Kim et al.  
 D811,466 S 2/2018 Zheng et al.  
 9,891,505 B1\* 2/2018 Wei ..... G03B 17/561  
 D813,924 S 3/2018 Zheng  
 D814,450 S 4/2018 Kumazawa et al.  
 D814,545 S 4/2018 Kim et al.  
 D815,180 S 4/2018 Kim et al.  
 D816,150 S 4/2018 Liao et al.  
 D824,882 S \* 8/2018 Zheng ..... D14/217  
 D827,698 S 9/2018 Zhang  
 D833,502 S 11/2018 Asakawa  
 D835,175 S 12/2018 Kim et al.  
 D836,699 S 12/2018 Kim et al.  
 10,156,776 B1\* 12/2018 Wei ..... G03B 17/561  
 D840,851 S 2/2019 Ammar et al.  
 10,209,733 B2\* 2/2019 Zhao ..... G05G 5/04  
 D848,406 S 5/2019 Pera et al.  
 10,315,781 B2\* 6/2019 Zhao ..... F16M 11/041  
 D852,865 S 7/2019 Hu et al.  
 D858,830 S 9/2019 Grandadam  
 D860,170 S \* 9/2019 Ding ..... D14/217

10,400,939 B2\* 9/2019 Yan ..... F16M 11/123  
 10,450,088 B2\* 10/2019 Zhao ..... B64C 39/024  
 D868,138 S \* 11/2019 Hu ..... D16/237  
 D872,920 S \* 1/2020 Korpi ..... D26/63  
 10,545,391 B2\* 1/2020 Yan ..... F16M 11/10  
 D874,531 S \* 2/2020 Chen ..... D16/202  
 D874,532 S \* 2/2020 Chen ..... D16/202  
 D874,539 S \* 2/2020 Wang ..... D16/206  
 D875,155 S \* 2/2020 Jeong ..... D16/202  
 10,558,110 B2\* 2/2020 Ye ..... G03B 17/561  
 2002/0051640 A1 5/2002 Arbuckle et al.  
 2002/0063197 A1\* 5/2002 Voigt ..... G01C 21/18  
 248/660  
 2016/0352992 A1\* 12/2016 Saika ..... F16M 11/041  
 2017/0219916 A1 8/2017 Tang et al.  
 2017/0241589 A1 8/2017 Wang et al.  
 2018/0084160 A1 3/2018 Miyashita  
 2018/0187824 A1 7/2018 Yan et al.  
 2018/0299750 A1\* 10/2018 Vuillet ..... G03B 17/561  
 2018/0346148 A1\* 12/2018 Zhang ..... G03B 17/561  
 2018/0373127 A1\* 12/2018 Peng ..... F16M 11/04  
 2019/0002125 A1 1/2019 Bin et al.  
 2019/0222726 A1 7/2019 Pan et al.  
 2019/0249820 A1 8/2019 Huang et al.  
 2019/0260122 A1\* 8/2019 L ..... B64D 47/00  
 2019/0264864 A1\* 8/2019 Chen ..... F16M 13/02  
 2019/0285969 A1\* 9/2019 Tang ..... G03B 17/561  
 2019/0339595 A1\* 11/2019 Liu ..... H04N 5/2251  
 2019/0349533 A1\* 11/2019 Guo ..... F16M 11/10  
 2019/0382133 A1\* 12/2019 Zhang ..... B64D 47/08  
 2020/0026163 A1\* 1/2020 Bin ..... G03B 17/56  
 2020/0041878 A1\* 2/2020 Lan ..... G03B 17/561

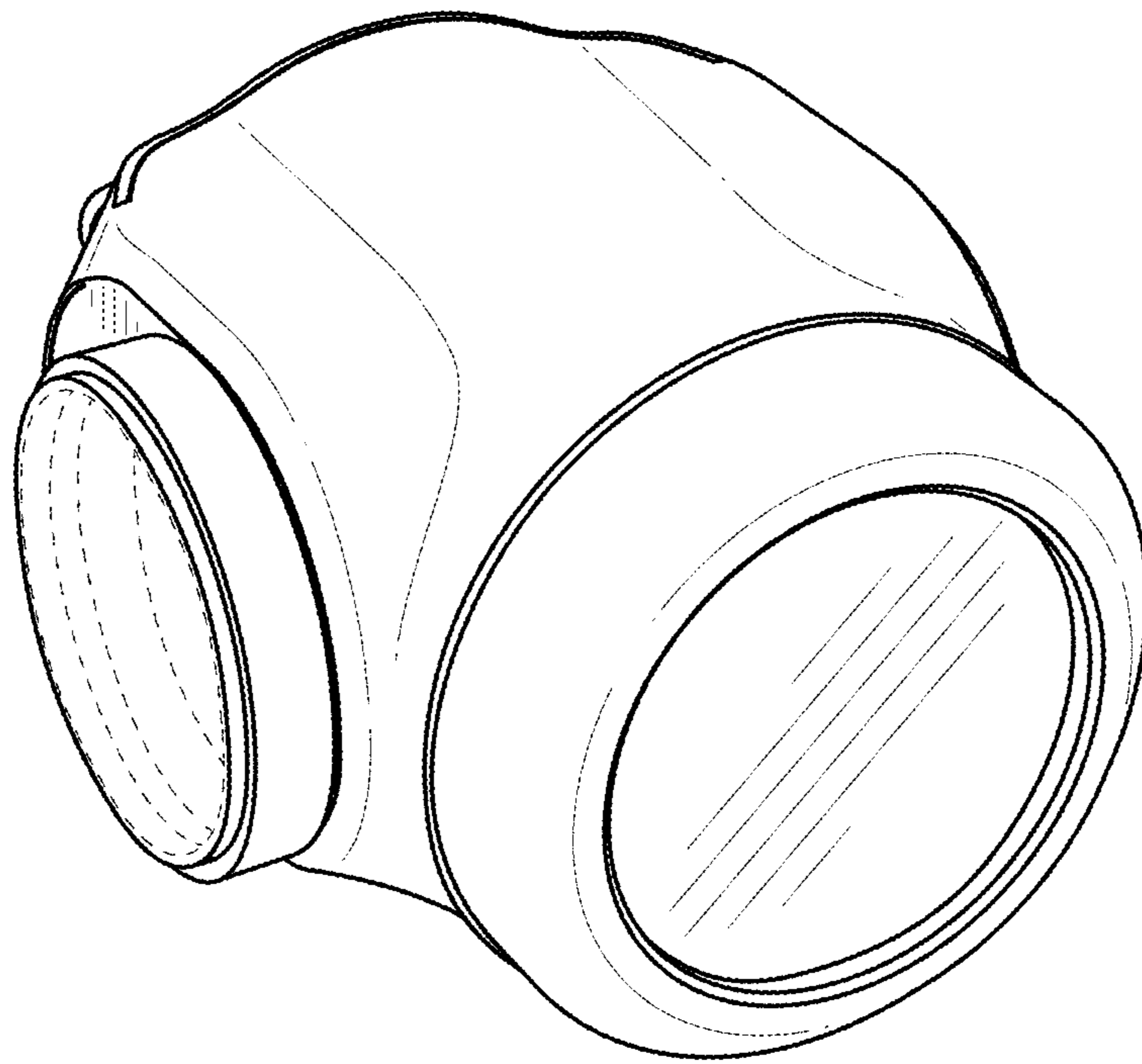
FOREIGN PATENT DOCUMENTS

CN 304509781 2/2018  
 EM 003855451-0001 6/2017

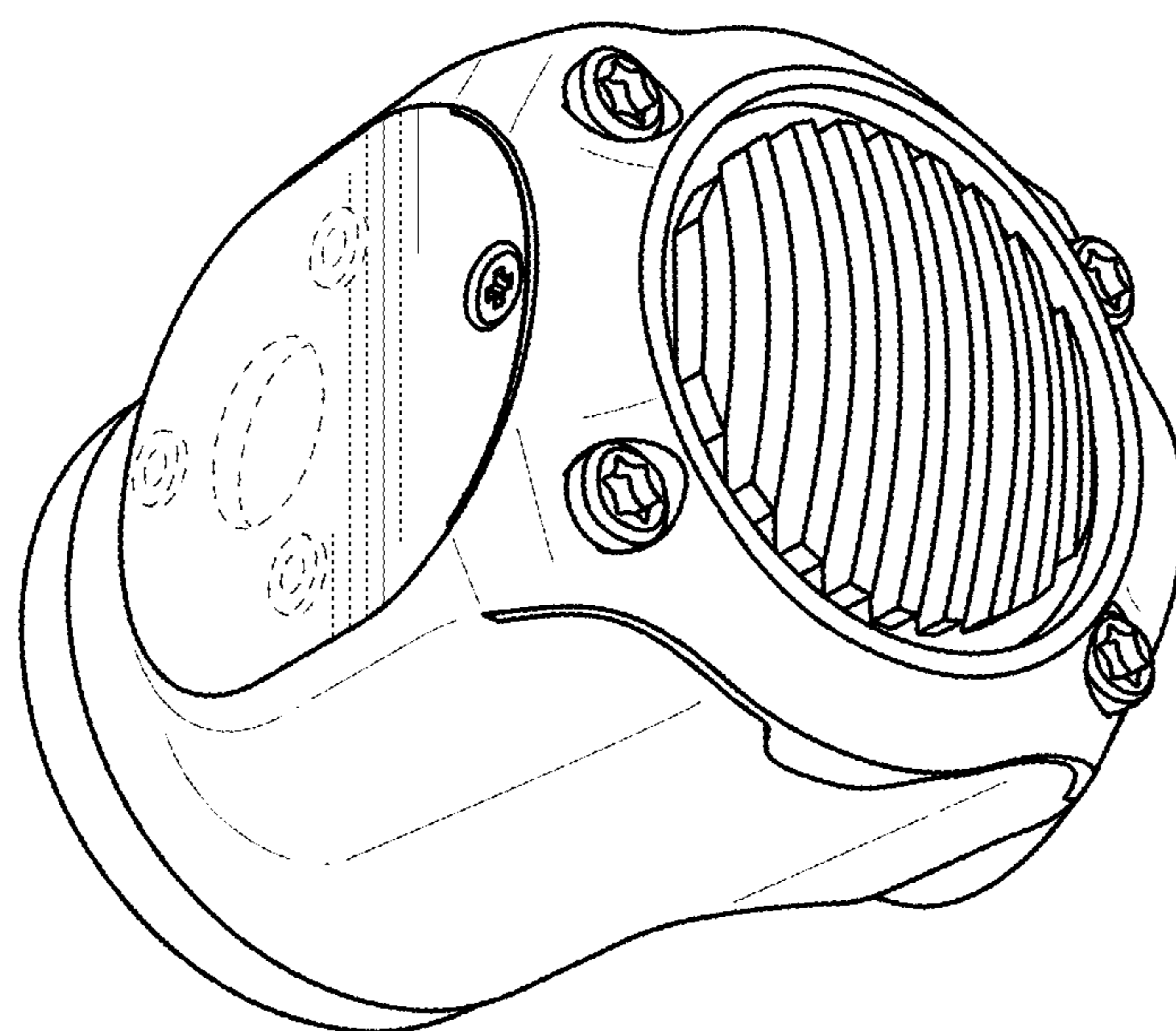
OTHER PUBLICATIONS

digiDIRECT, "DJI Osmo+—Review and sample footage," YouTube.com, <https://www.youtube.com/watch?v=n-cD2GZiJxc>, dated Sep. 27, 2016.  
 Horsey, Julian, "DJI Osmo Plus With Zoom Lens Camera Now Available to Pre-Order for \$569," Geeky Gadgets, <https://www.geeky-gadgets.com/dji-osmo-plus-with-zoom-lens-camera-launches-26-08-2016/>, dated Aug. 26, 2016.  
 Mavic 2 Zoom, published Aug. 23, 2018 [online], [retrieved Sep. 23, 2019], Available from Internet, URL: <https://www.engadget.com/2018/08/23/dji-mavic-pro-2-and-mavic-2-zoom-hands-on/>.  
 DJI Mavic 2 Pro Featuring the Hasselblad L1D-20C, published 2019 [online], [retrieved Sep. 23, 2019], Available from Internet, URL: <https://www.hasselblad.com/collaborations/dji-mavic-2-pro/>.

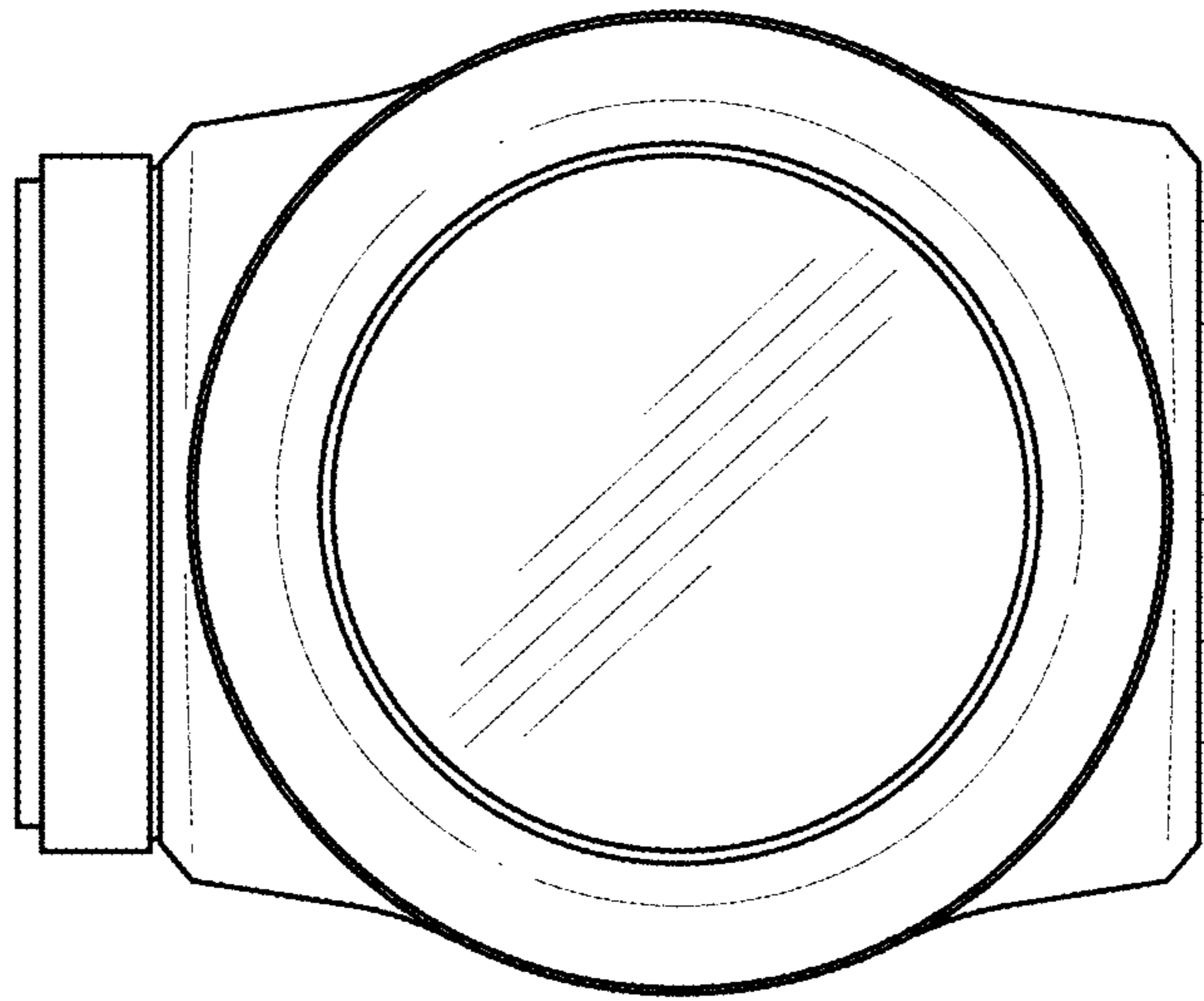
\* cited by examiner



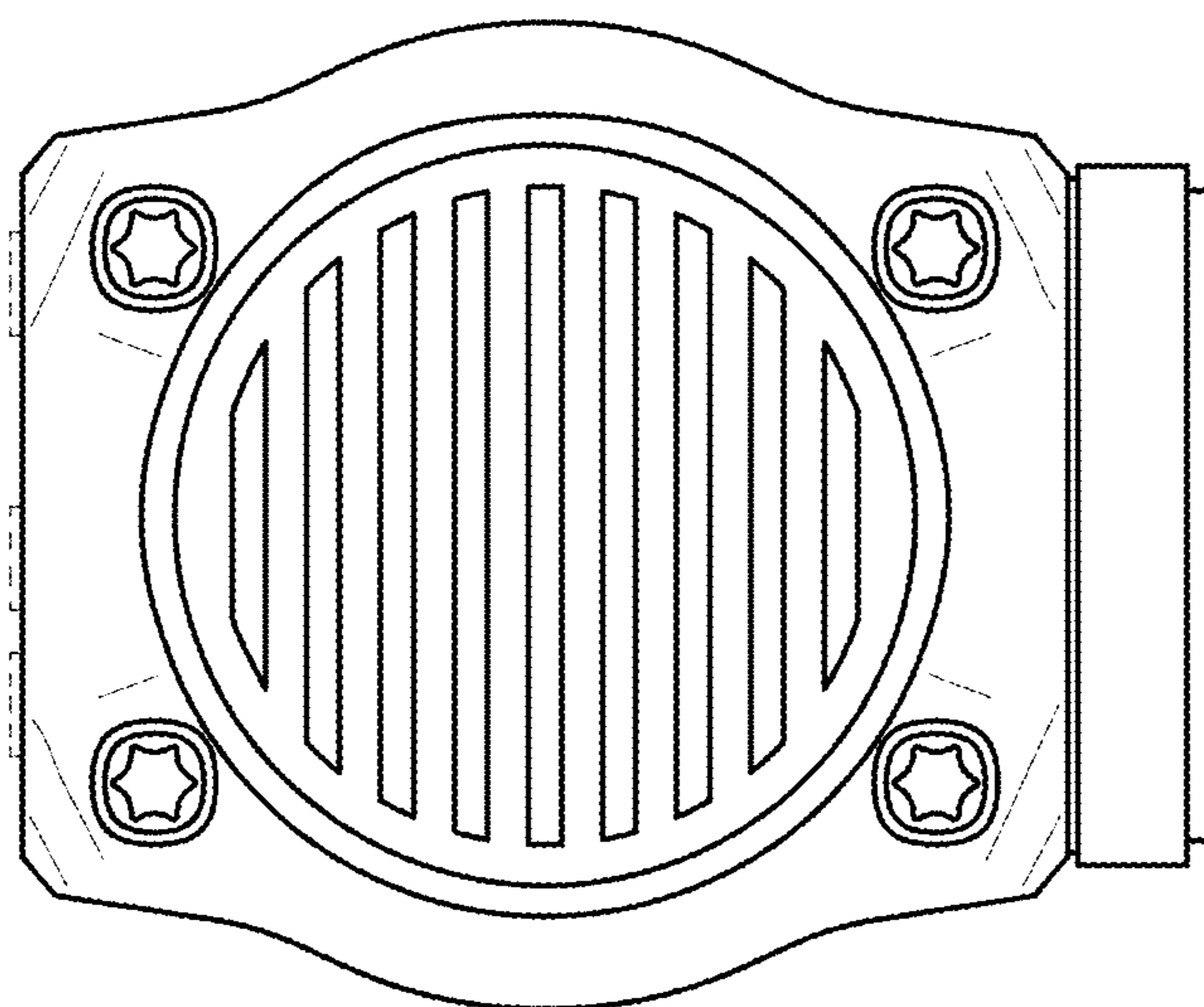
**FIG. 1**



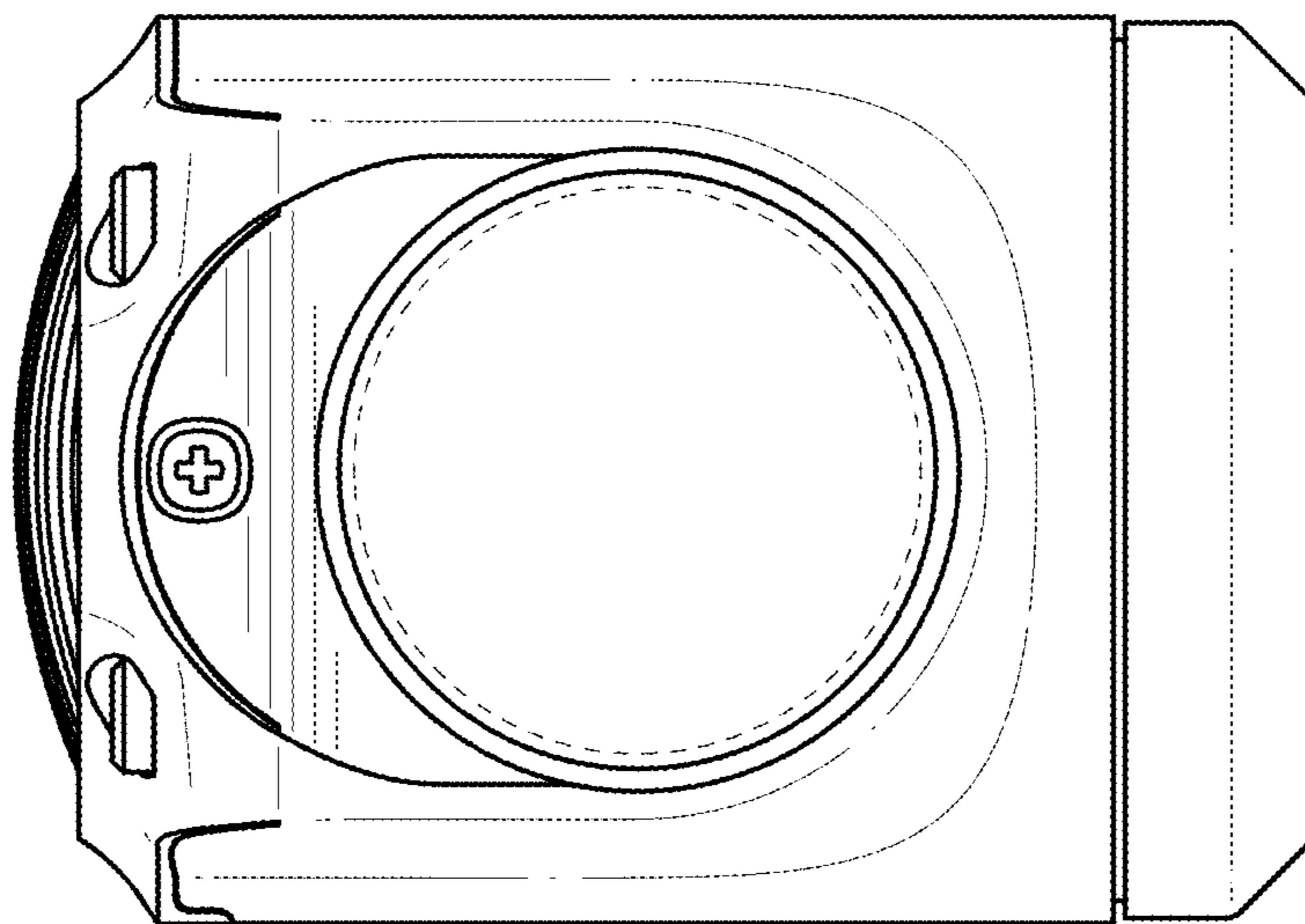
**FIG. 2**



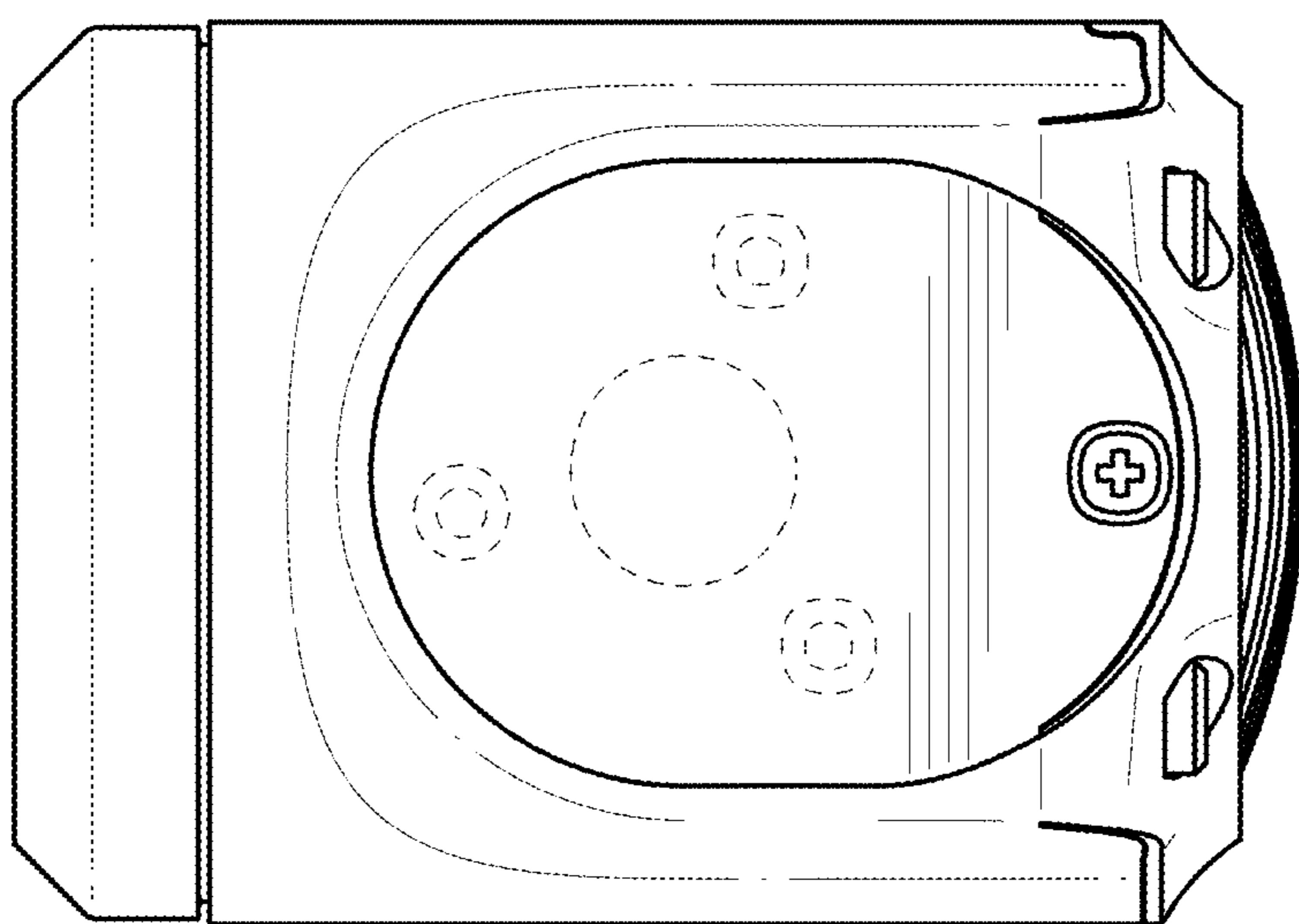
**FIG. 3**



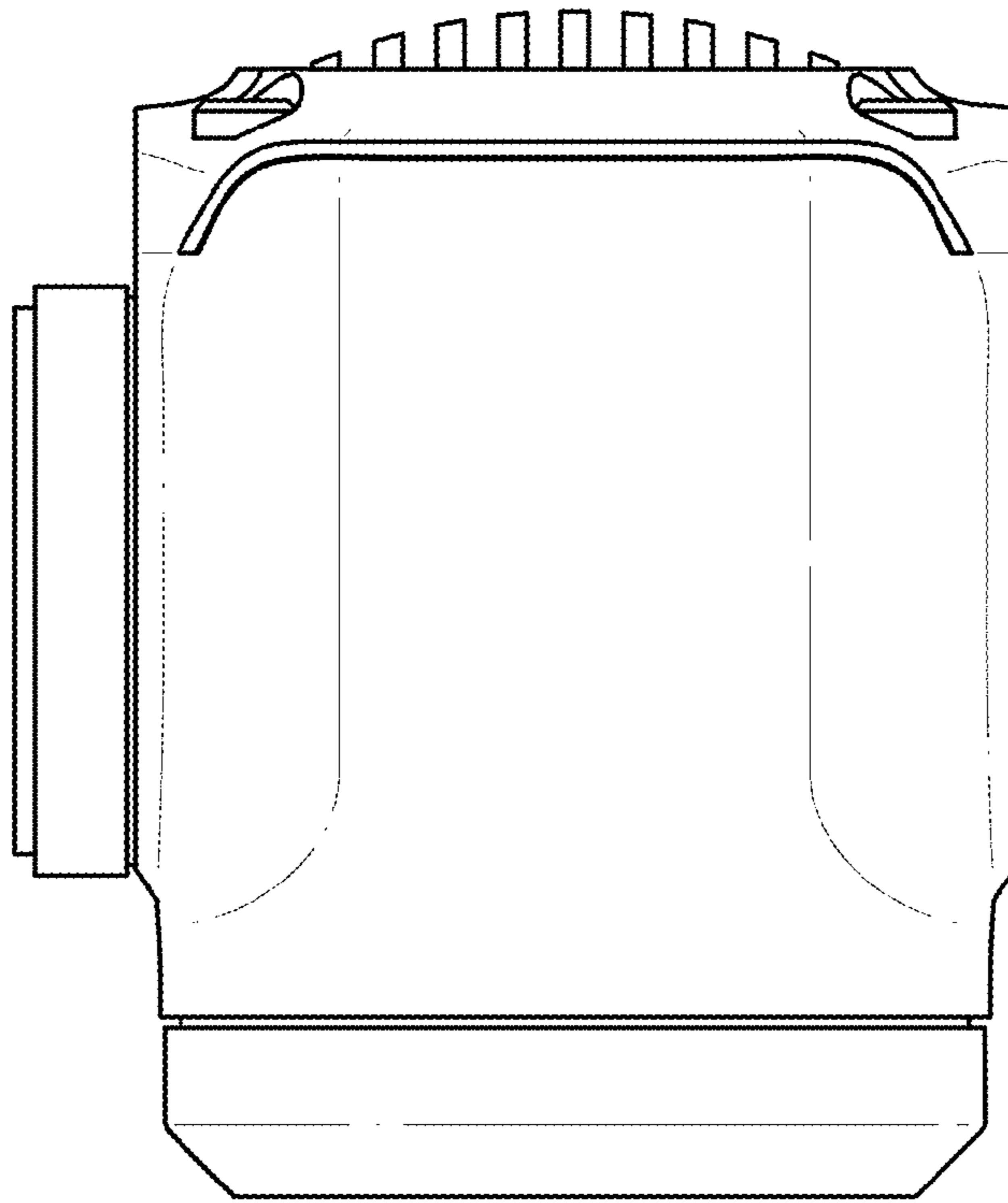
**FIG. 4**



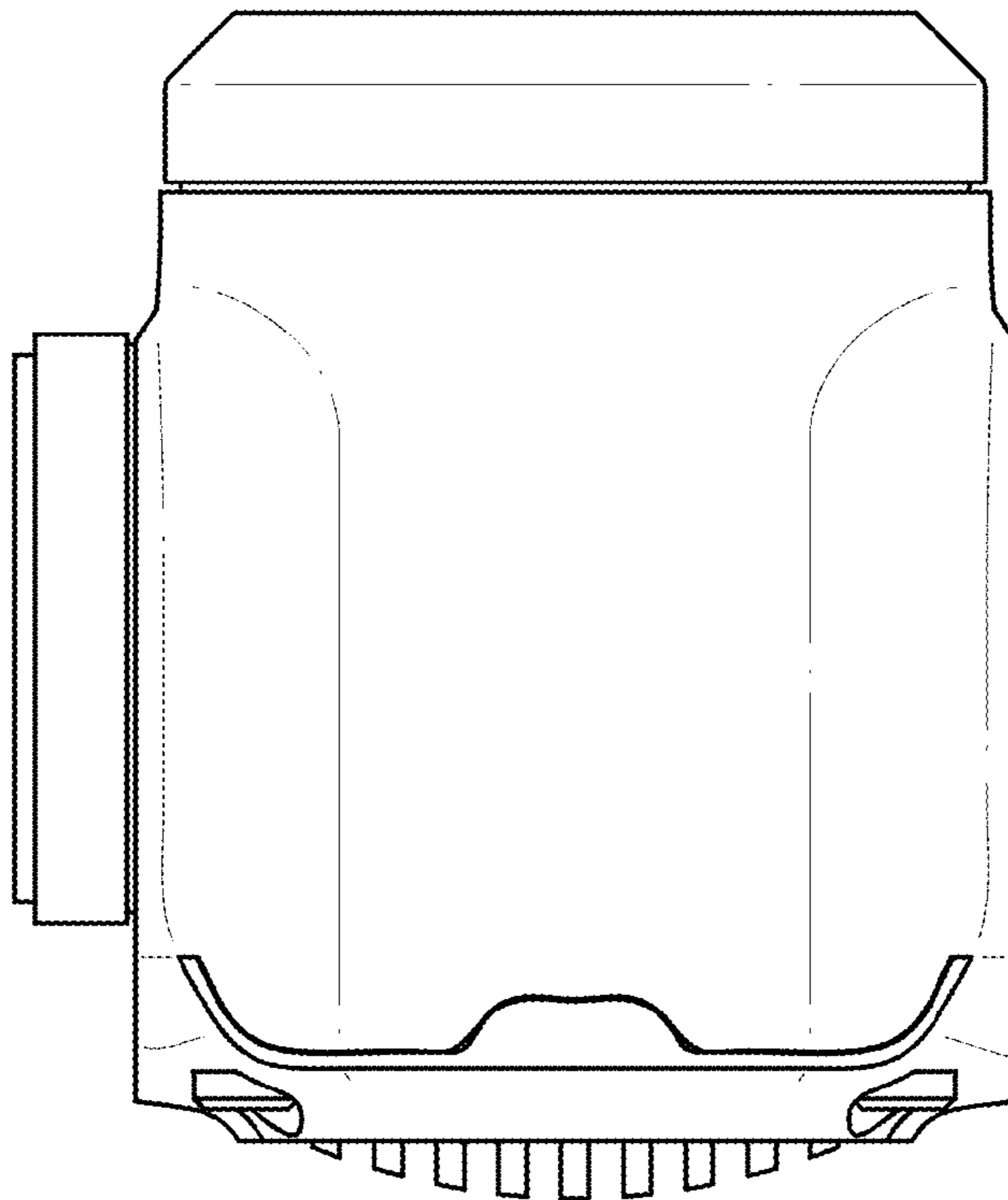
**FIG. 5**



**FIG. 6**



**FIG. 7**



**FIG. 8**