



US00D887470S

(12) **United States Design Patent**  
**Gelesz et al.**

(10) **Patent No.:** **US D887,470 S**  
(45) **Date of Patent:** **\*\* Jun. 16, 2020**

- (54) **EYE PLATFORM**
- (71) Applicant: **AssisTech Sp. z o.o.**, Gdańsk (PL)
- (72) Inventors: **Pawel Gelesz**, Gdańsk (PL); **Adam Basalaj**, Gdańsk (PL); **Bartosz Kunka**, Gdańsk (PL); **Robert Kosikowski**, Gdańsk (PL); **Marek Wilczewski**, Gdańsk (PL)
- (73) Assignee: **AssisTech Sp. z o.o.**, Gdansk (PL)
- (\*\*) Term: **15 Years**
- (21) Appl. No.: **29/631,621**
- (22) Filed: **Dec. 31, 2017**
- (51) **LOC (12) Cl.** ..... **16-99**
- (52) **U.S. Cl.**  
USPC ..... **D16/130**
- (58) **Field of Classification Search**  
USPC ..... D16/130, 134, 237; D24/172  
CPC ..... G02B 23/16  
See application file for complete search history.

D538,320 S *	3/2007	Sprague	.....	D16/130
D552,242 S *	10/2007	Gutekunst	.....	D24/172
7,336,295 B2 *	2/2008	Sukenari	.....	H04N 5/23293 348/61
D614,220 S *	4/2010	Goldenberg	.....	D16/130
D615,199 S *	5/2010	Zimmerli	.....	D24/137
D623,214 S *	9/2010	Onoda	.....	D16/130
D637,218 S *	5/2011	Shih	.....	D16/130
D638,943 S *	5/2011	Daniel	.....	D24/172
D642,625 S *	8/2011	Assa	.....	D21/329
D661,331 S *	6/2012	Woodward	.....	D16/130
D672,798 S *	12/2012	Leanza	.....	D16/130
D682,905 S *	5/2013	Kendall	.....	D16/130
D722,315 S *	2/2015	Liang	.....	D14/336
D741,927 S *	10/2015	Li	.....	D16/130

\* cited by examiner

*Primary Examiner* — Holly E Thurman

(74) *Attorney, Agent, or Firm* — Andrew Malarz, Esq.

(57) **CLAIM**

The ornamental design for an eye platform, as shown and described.

**DESCRIPTION**

FIG. 1 is a front elevation view of an eye platform showing my new design;

FIG. 2 is a top plan view thereof;

FIG. 3 is a rear elevation view thereof;

FIG. 4 is a bottom plan view thereof;

FIG. 5 is a left side elevational view thereof;

FIG. 6 is a right side elevational view thereof;

FIG. 7 is a front perspective view thereof; and,

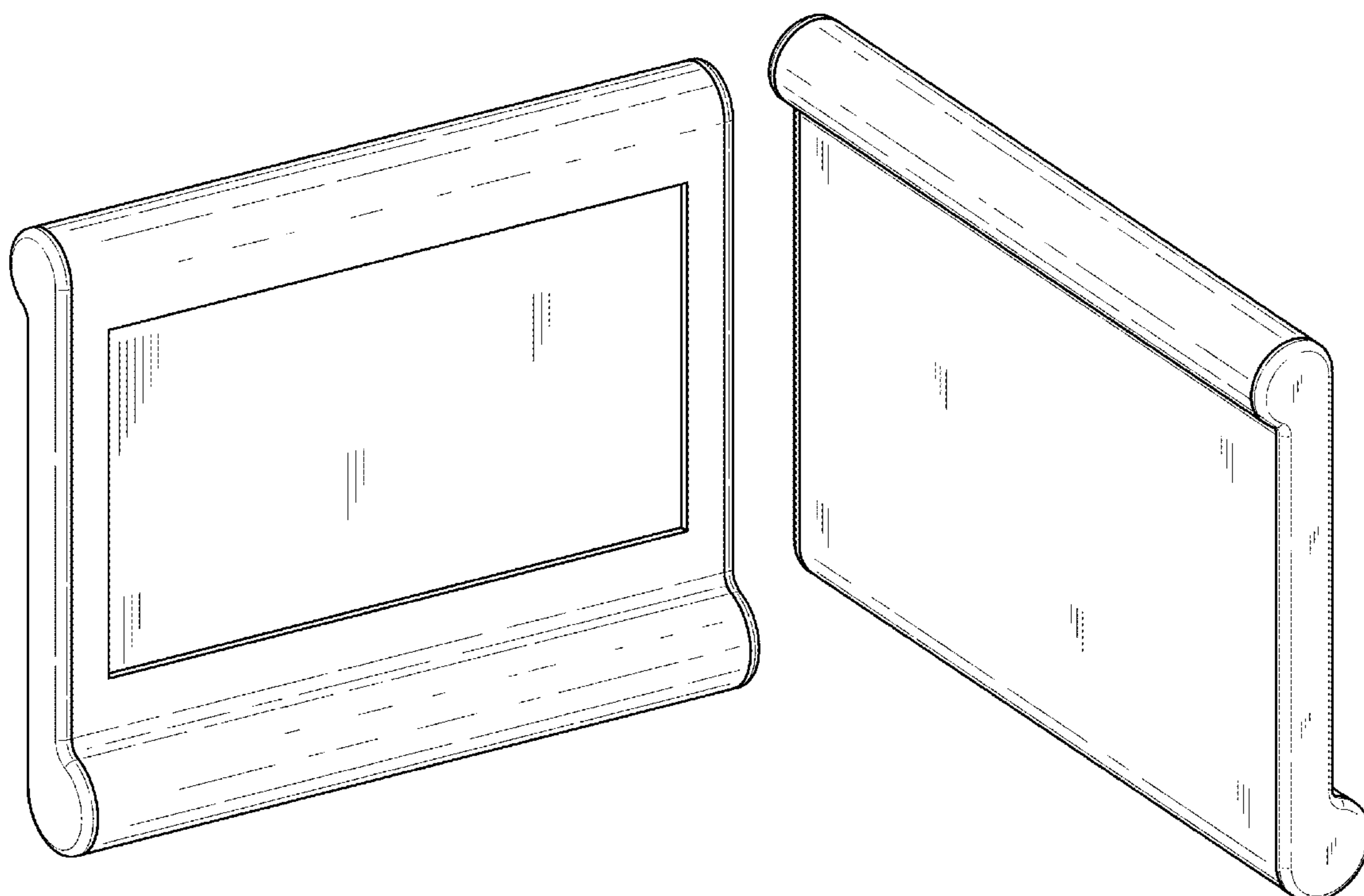
FIG. 8 is a rear perspective view thereof.

**1 Claim, 5 Drawing Sheets**

(56) **References Cited**

**U.S. PATENT DOCUMENTS**

D104,257 S *	4/1937	Hayes	.....	D16/130
D138,526 S *	8/1944	Spaldo	.....	D6/300
D270,062 S *	8/1983	Ackeret	.....	40/513
D270,063 S *	8/1983	Ackeret	.....	40/513
D390,861 S *	2/1998	Liao	.....	D14/424
D477,084 S *	7/2003	Menezes	.....	D24/172
D538,318 S *	3/2007	Sprague	.....	D16/130
D538,319 S *	3/2007	Sprague	.....	D16/130



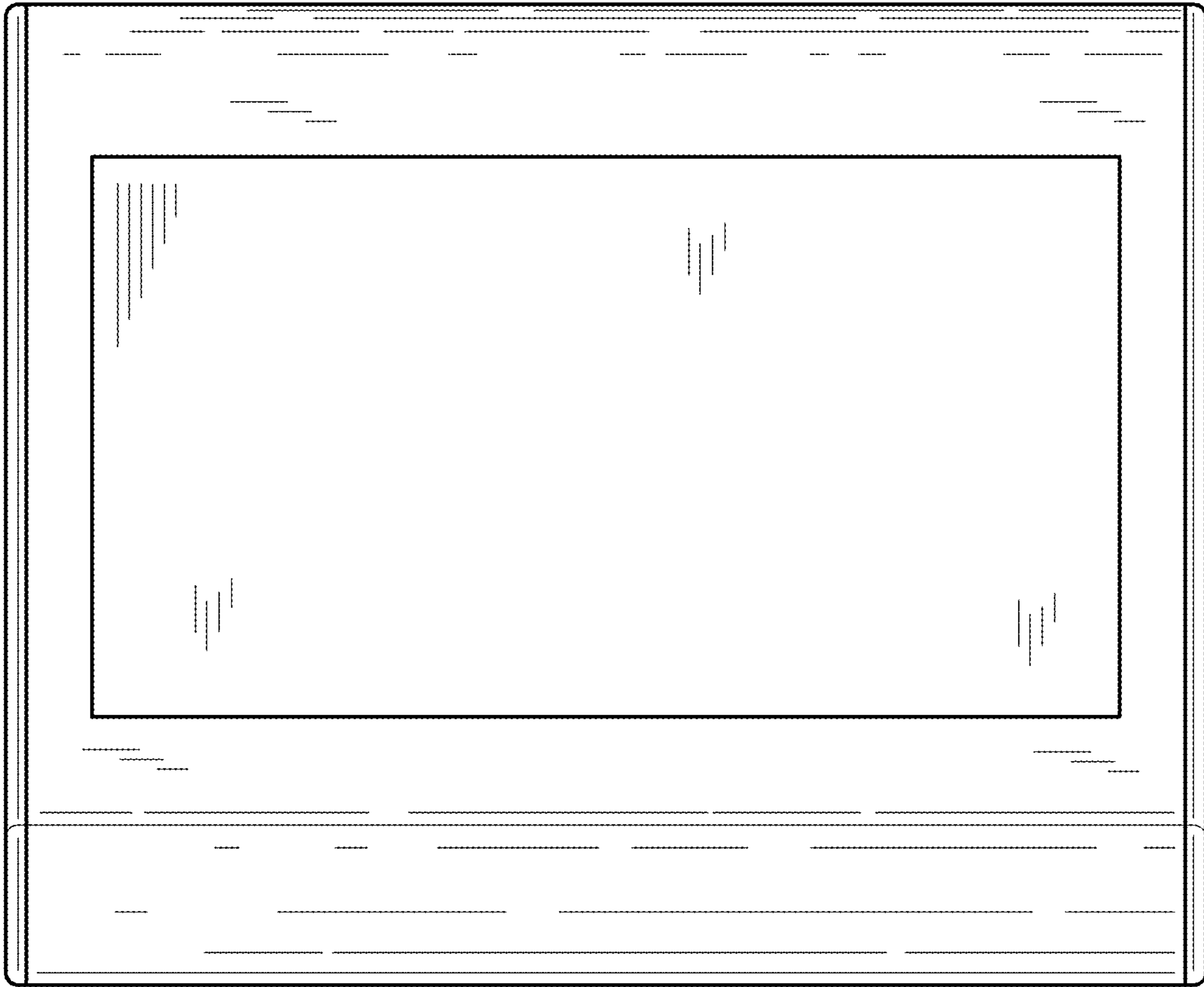


Fig.1

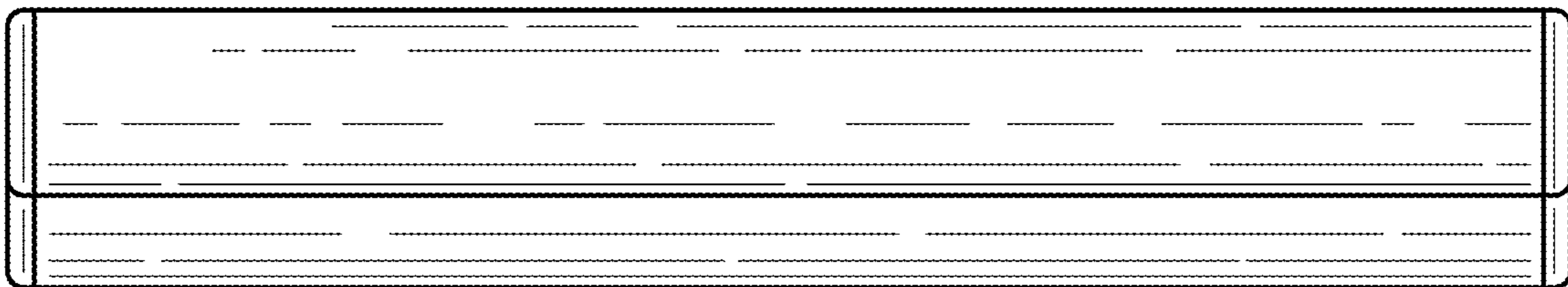


Fig.2

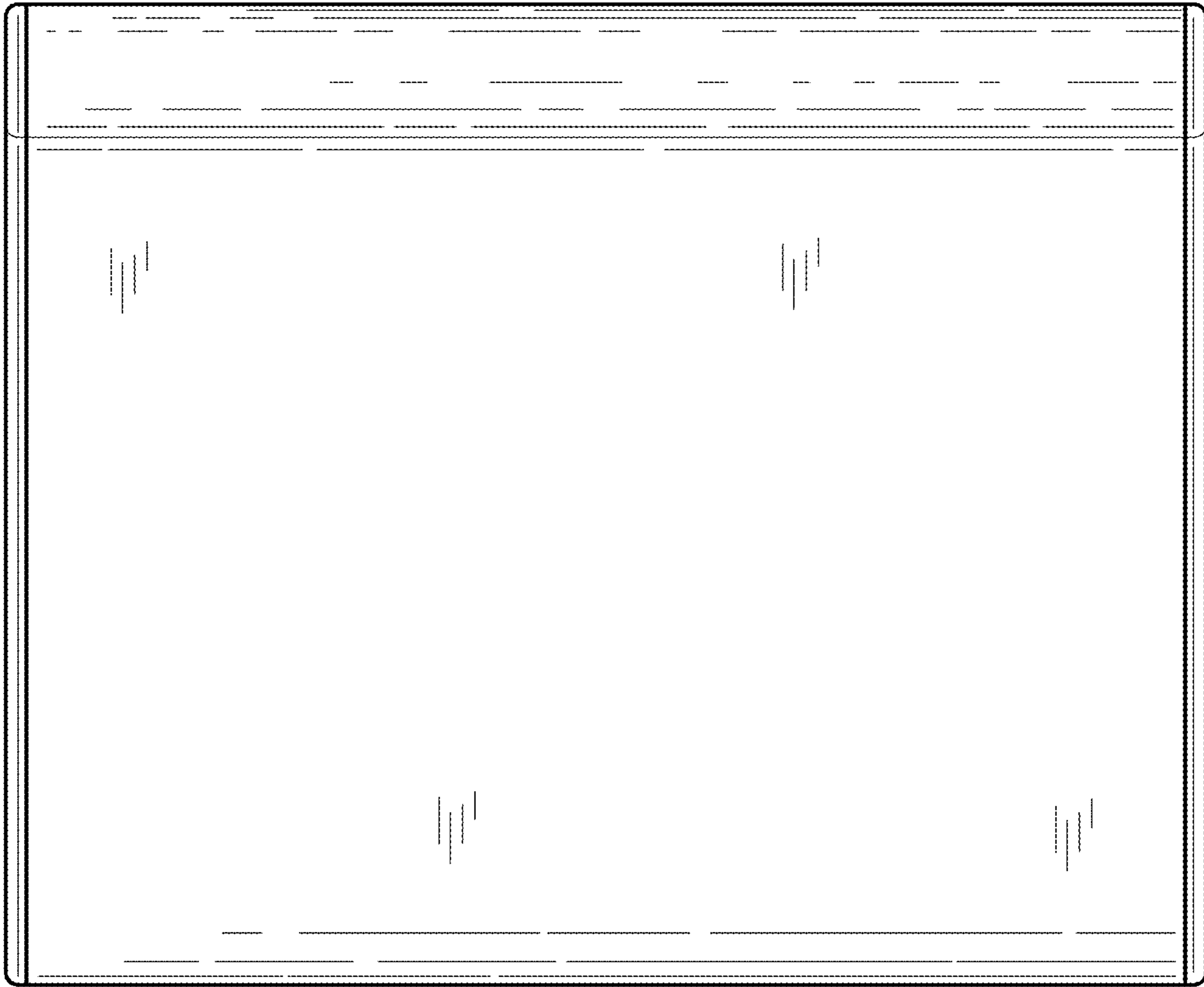


Fig.3

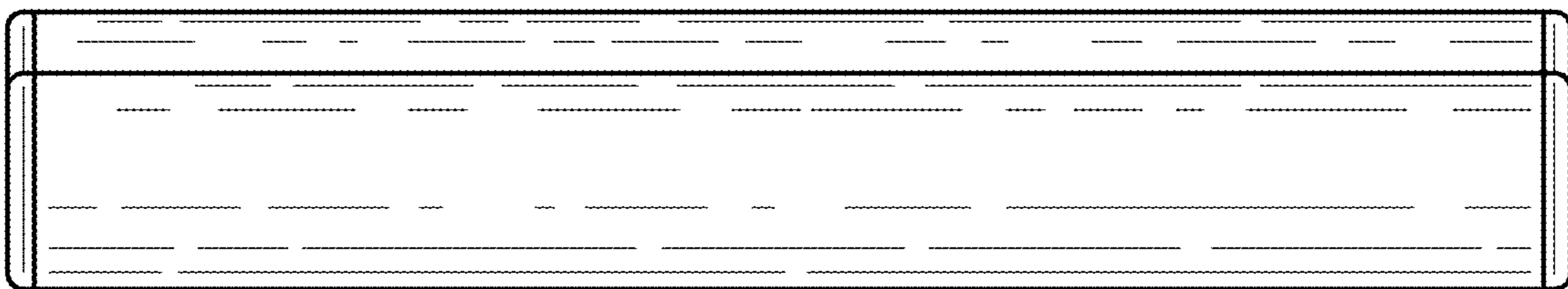


Fig.4

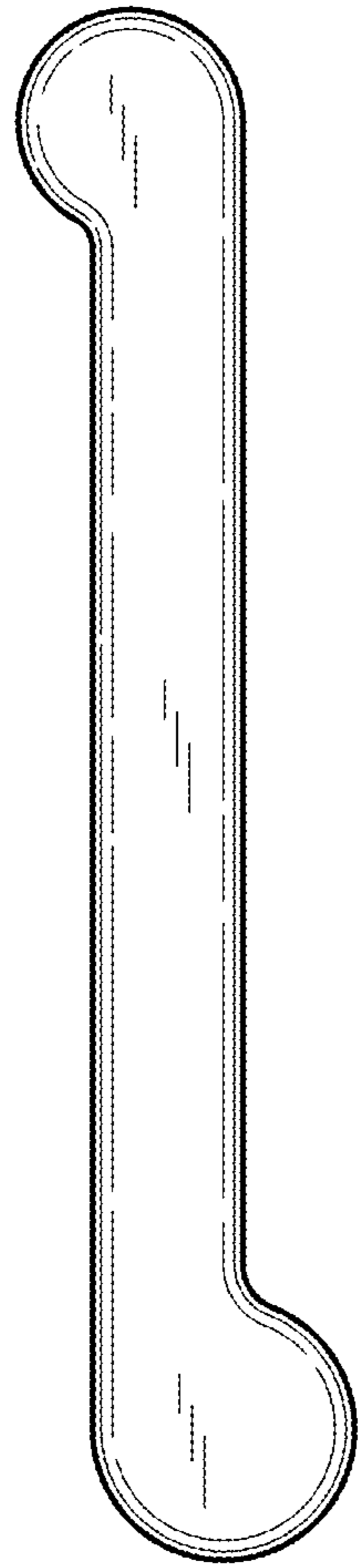


Fig.5

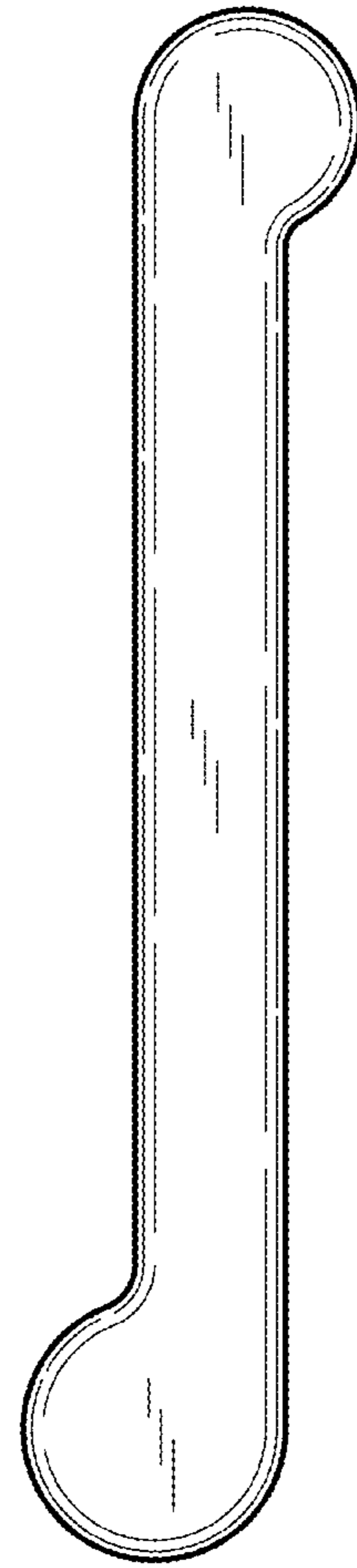


Fig.6

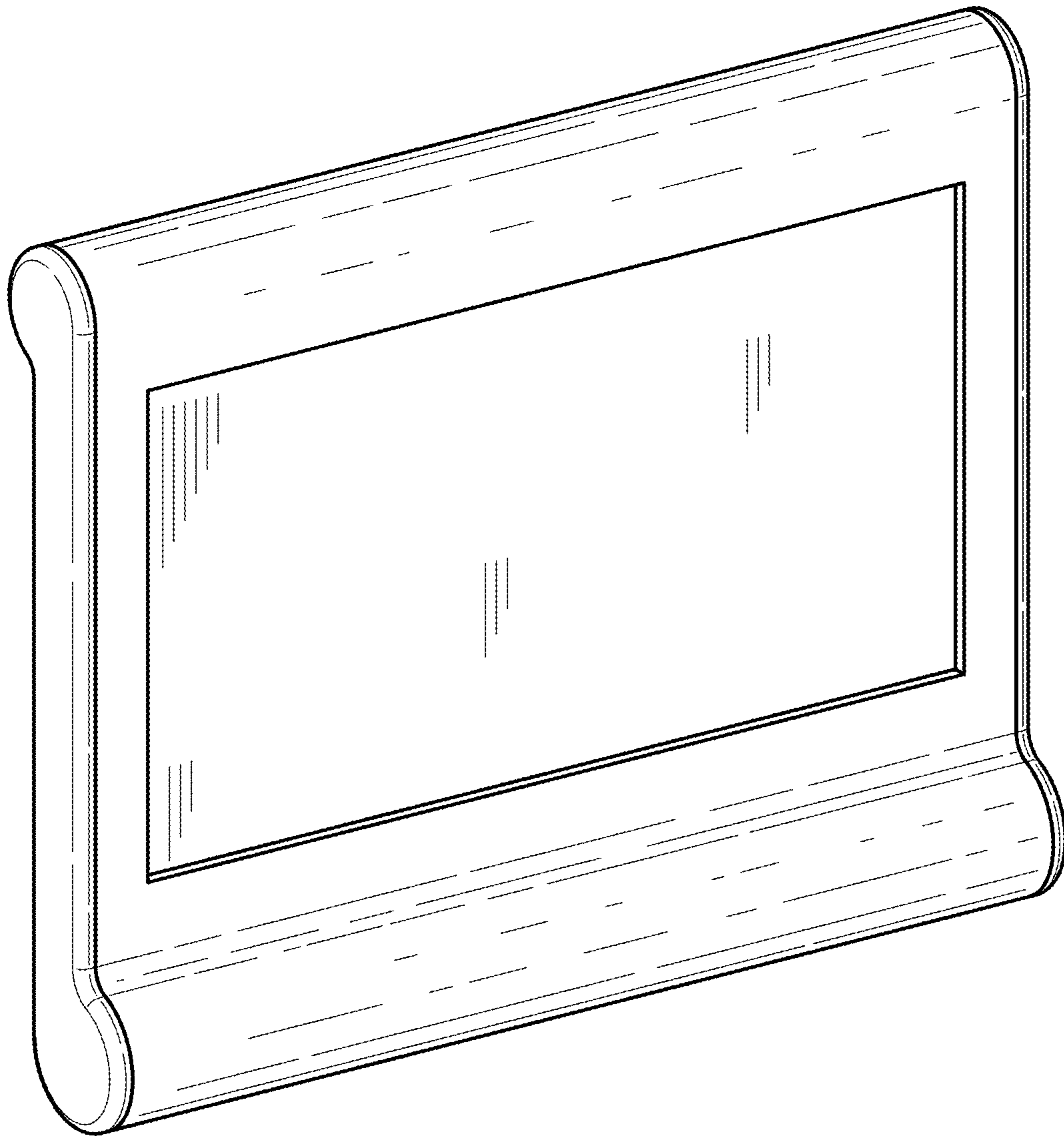


Fig.7

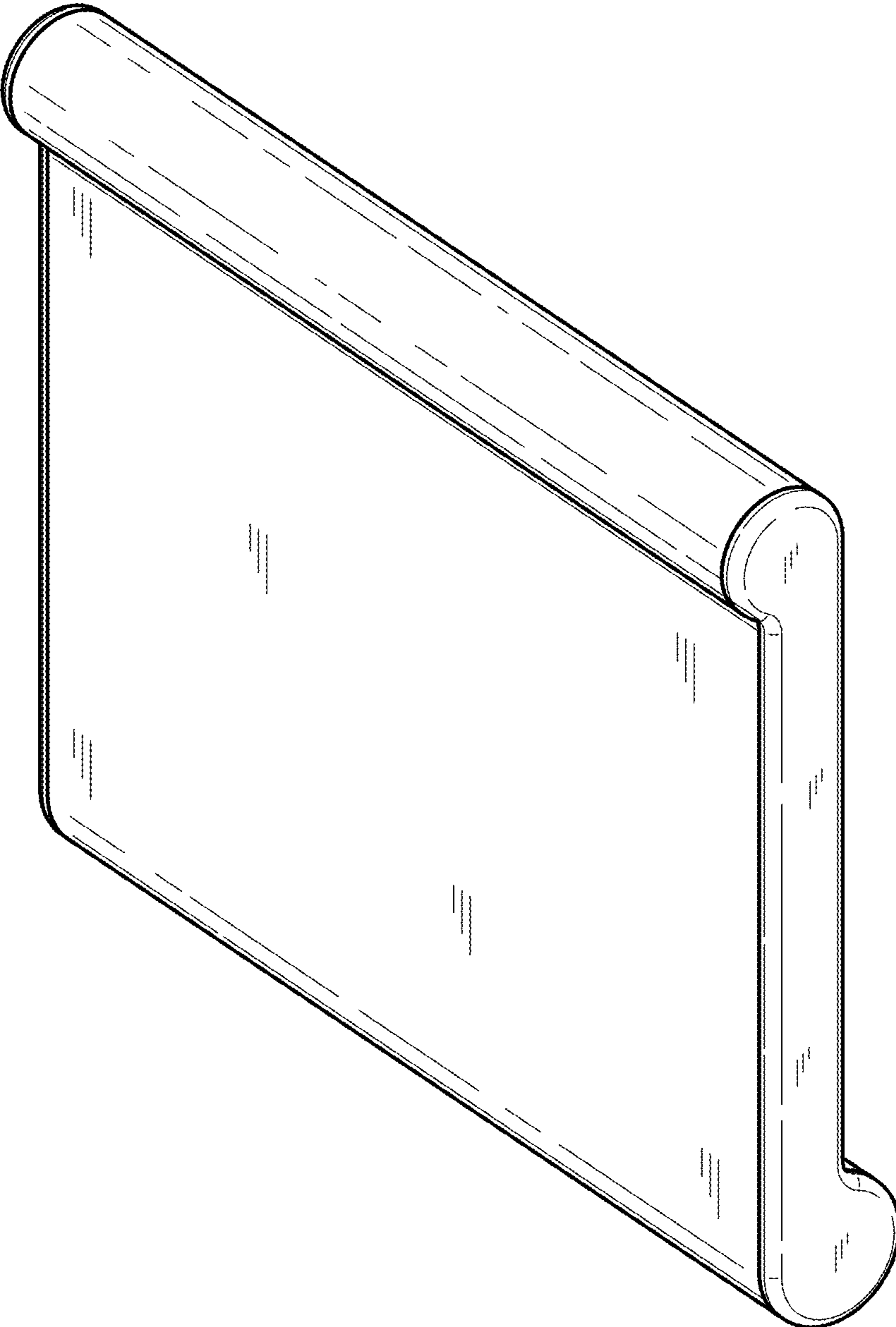


Fig.8