



US00D887469S

(12) **United States Design Patent**
Vaughan

(10) **Patent No.:** **US D887,469 S**
(45) **Date of Patent:** **** Jun. 16, 2020**

- (54) **CAMERA ASSEMBLY**
- (71) Applicant: **Teleflex Medical Incorporated**,
Morrisville, NC (US)
- (72) Inventor: **Dustin Vaughan**, Raleigh, NC (US)
- (73) Assignee: **Teleflex Medical Incorporated**,
Morrisville, NC (US)
- (**) Term: **15 Years**
- (21) Appl. No.: **29/665,297**
- (22) Filed: **Oct. 2, 2018**
- (51) **LOC (12) Cl.** **24-02**
- (52) **U.S. Cl.**
USPC **D16/127**
- (58) **Field of Classification Search**
USPC D24/112-114, 108, 130, 127, 133, 186;
606/181, 185, 130; 604/264, 523-528,
604/272, 164.01-164.11, 187, 93.01;
600/101, 139, 143; 128/200.24, 207.14,
128/207.15; 700/259, 251
CPC .. A61B 1/0607; A61B 1/00013; A61M 25/00;
A61M 39/00; A61M 27/00; A61M
25/0043; A61M 25/0067; A61M 25/0097;
A61F 2/958
See application file for complete search history.

- (56) **References Cited**
U.S. PATENT DOCUMENTS
5,243,690 A * 9/1993 Chmielewski, Jr. ... B25J 9/1697
700/259
6,491,699 B1 * 12/2002 Henderson A61B 90/36
606/130
6,643,564 B2 * 11/2003 Kataoka H01L 21/67259
250/206.1
6,676,669 B2 * 1/2004 Charles A61B 34/70
606/1

- 6,681,151 B1 * 1/2004 Weinzimmer B25J 9/1697
219/121.85
- 7,493,178 B2 * 2/2009 Abu Nassar A61B 5/04001
600/383
- 7,604,645 B2 * 10/2009 Barzell A61B 8/12
600/429
- 7,658,879 B2 * 2/2010 Solar A61B 90/11
264/278
- 8,326,460 B2 * 12/2012 Ban B25J 9/1697
700/259
- 8,374,723 B2 * 2/2013 Zhao B25J 9/1689
318/568.11
- 8,423,182 B2 * 4/2013 Robinson A61B 18/1206
700/245
- 8,535,335 B2 * 9/2013 Yi A61B 17/3403
128/121.1
- 8,733,810 B2 * 5/2014 Oda B25J 15/083
294/86.4

(Continued)

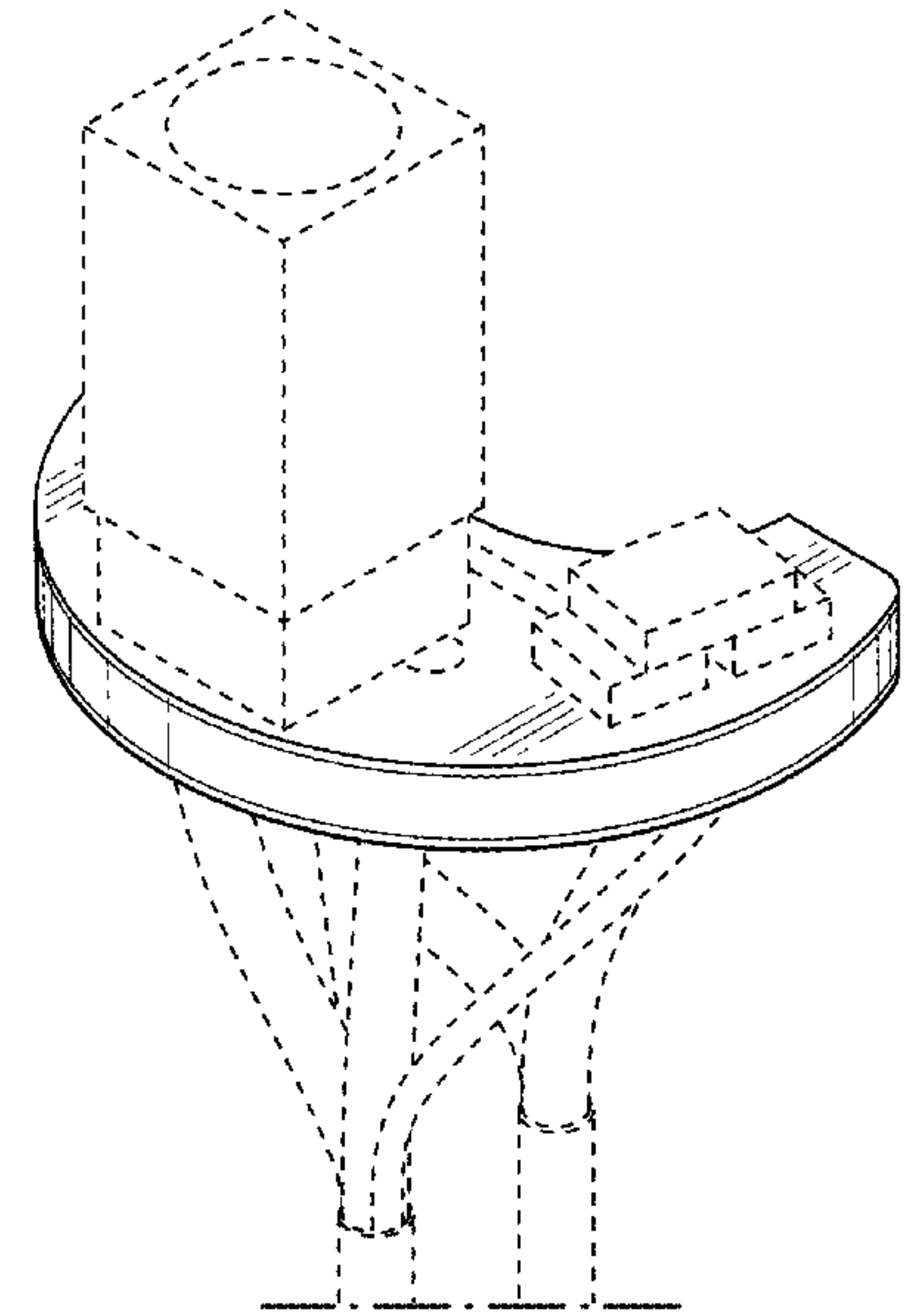
Primary Examiner — David G Muller
(74) *Attorney, Agent, or Firm* — Gregory W. Smock

(57) **CLAIM**
The ornamental design for a camera assembly, as shown and described.

DESCRIPTION

FIG. 1 is a front perspective view of a camera assembly;
FIG. 2 is a front view of the camera assembly;
FIG. 3 is a rear view of the camera assembly;
FIG. 4 is a rear perspective view of the camera assembly;
FIG. 5 is a left side view of the camera assembly;
FIG. 6 is a right side view of the camera assembly;
FIG. 7 is a top view of the camera assembly;
FIG. 8 is a bottom view of the camera assembly; and,
FIG. 9 is a sectional view of the camera assembly along line
9-9 of FIG. 2.
The broken line showing of structural features is included
for the purpose of illustrating non-claimed subject matter
and forms no part of the claimed design.

1 Claim, 8 Drawing Sheets



(56)

References Cited

U.S. PATENT DOCUMENTS

8,801,725	B2 *	8/2014	Ritter	A61B 17/17 606/102
9,026,247	B2 *	5/2015	White	A61B 34/20 700/245
9,028,468	B2 *	5/2015	Scarfogliero	A61B 34/30 606/1
9,033,958	B2 *	5/2015	Mailloux	A61B 34/30 606/1
10,136,803	B1 *	11/2018	Griffin	A61B 1/0607
10,470,642	B2 *	11/2019	Nakagawa	A61B 1/00009

* cited by examiner

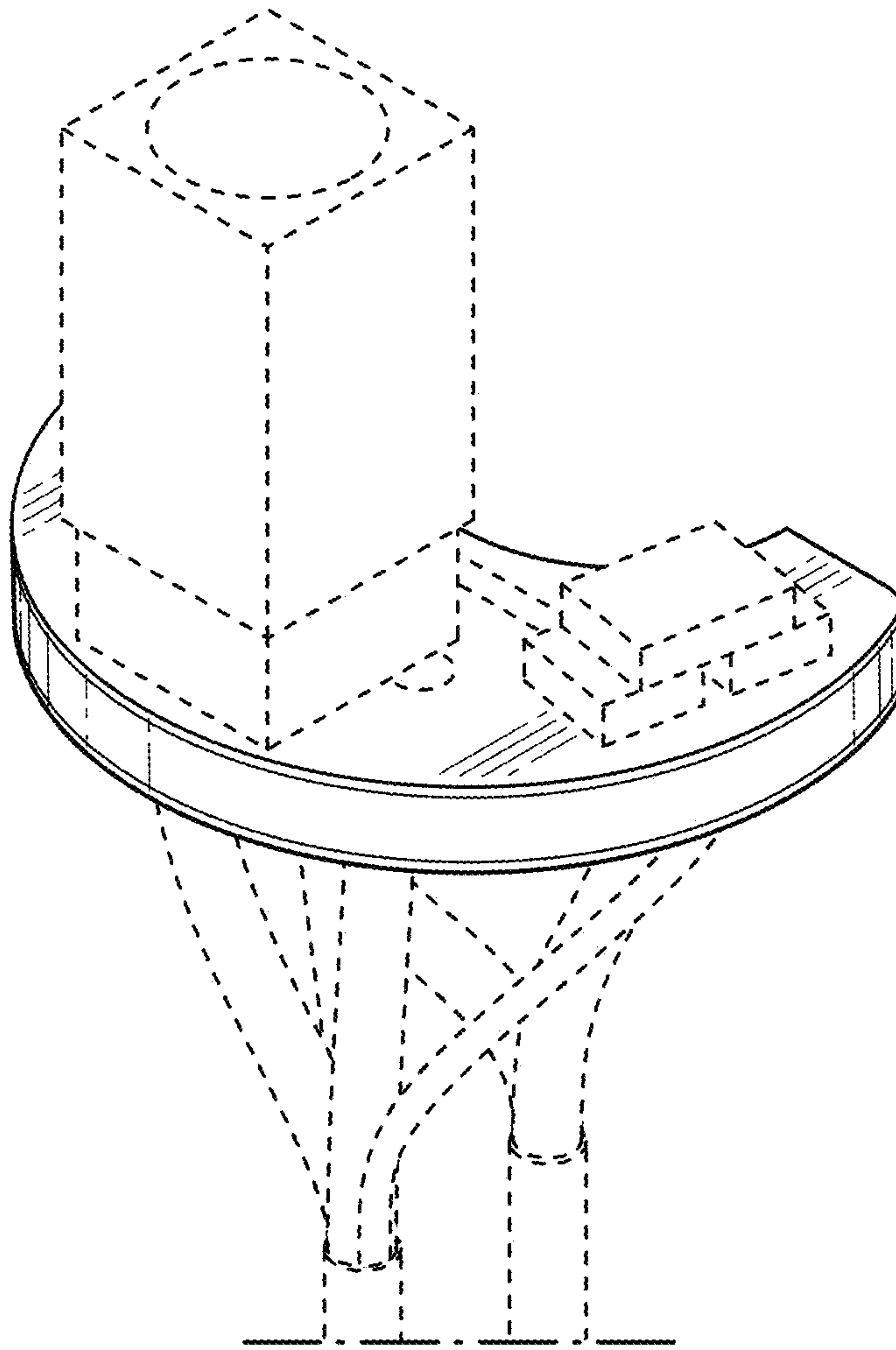


FIG. 1

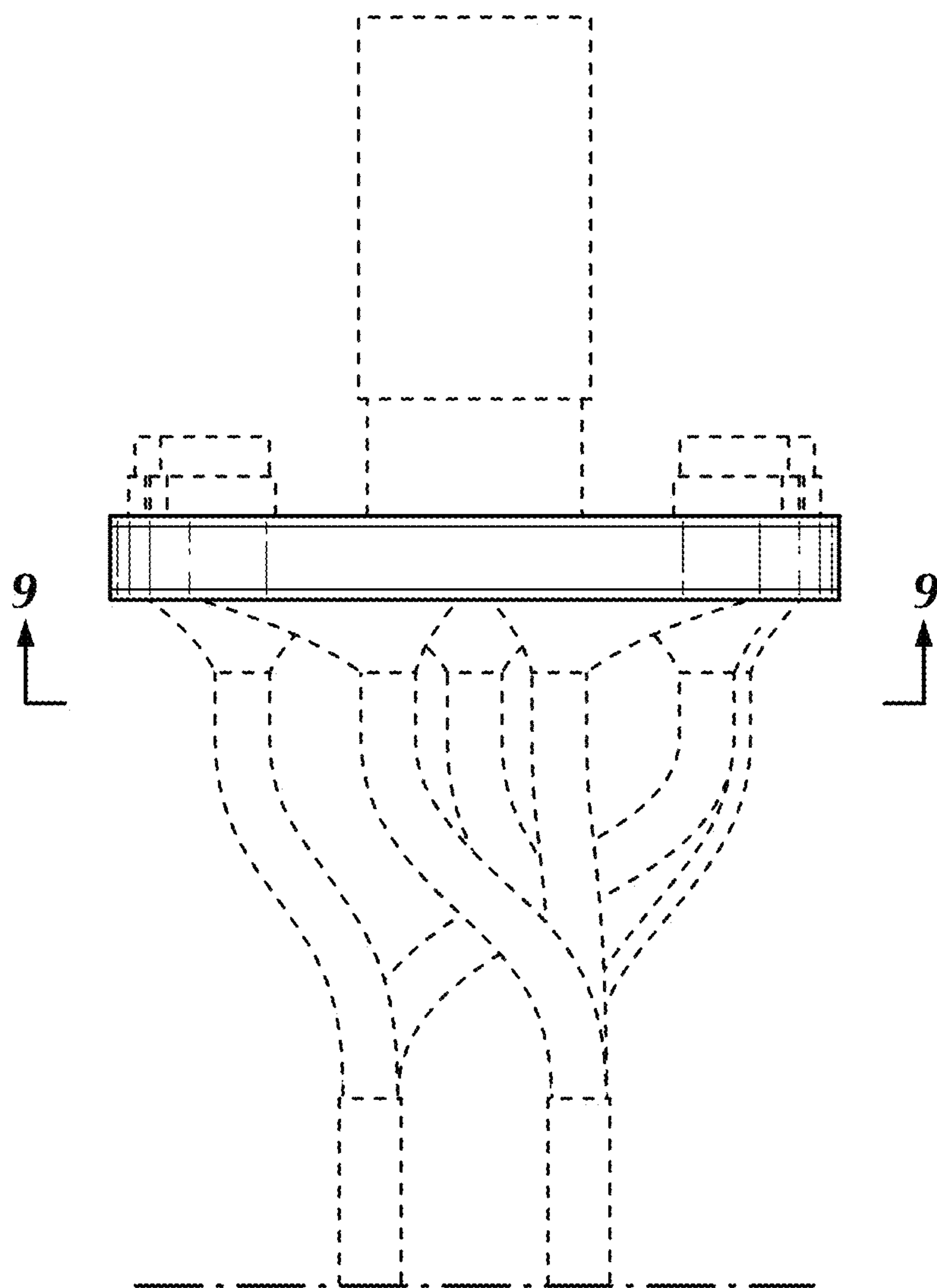


FIG. 2

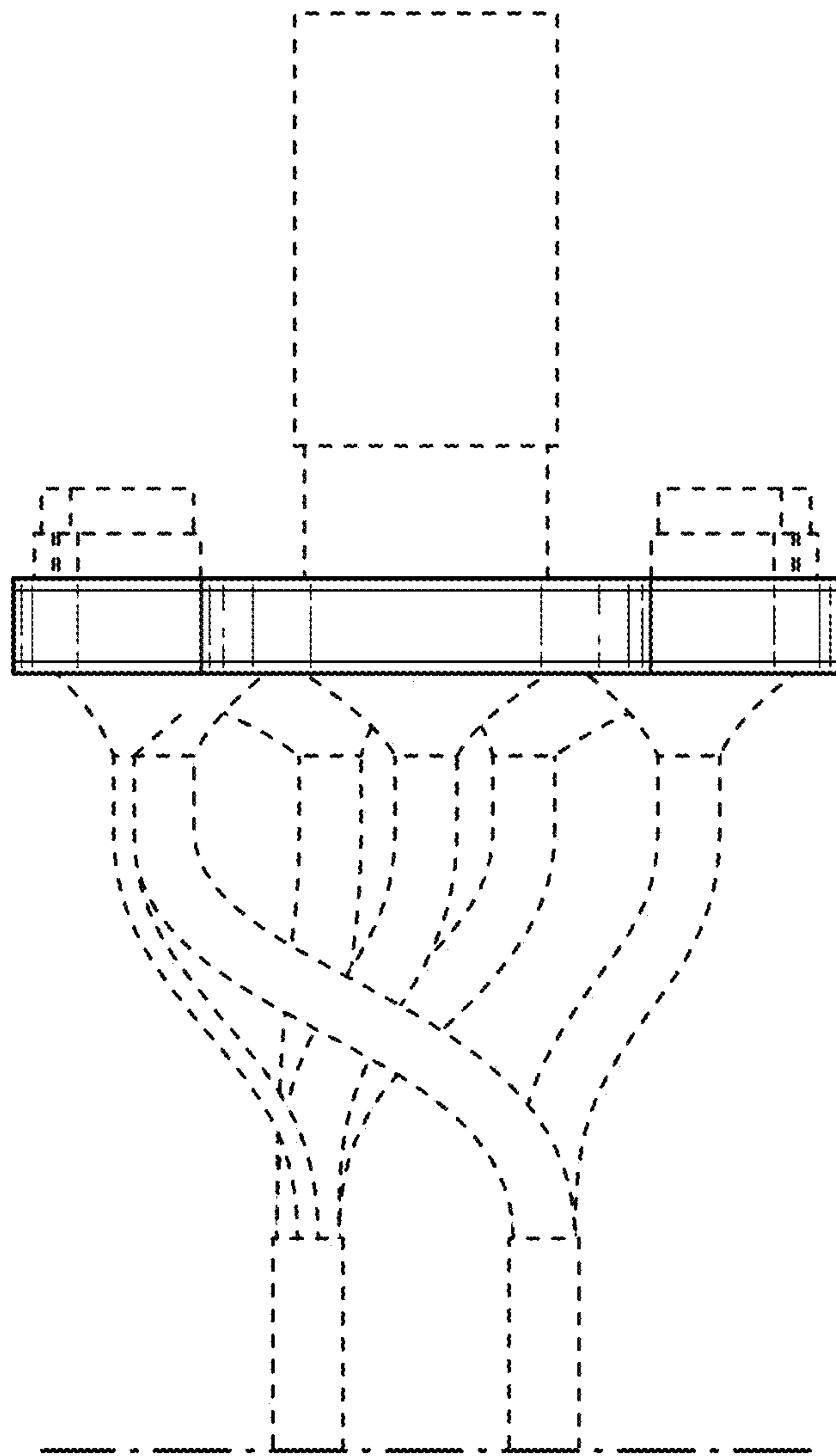


FIG. 3

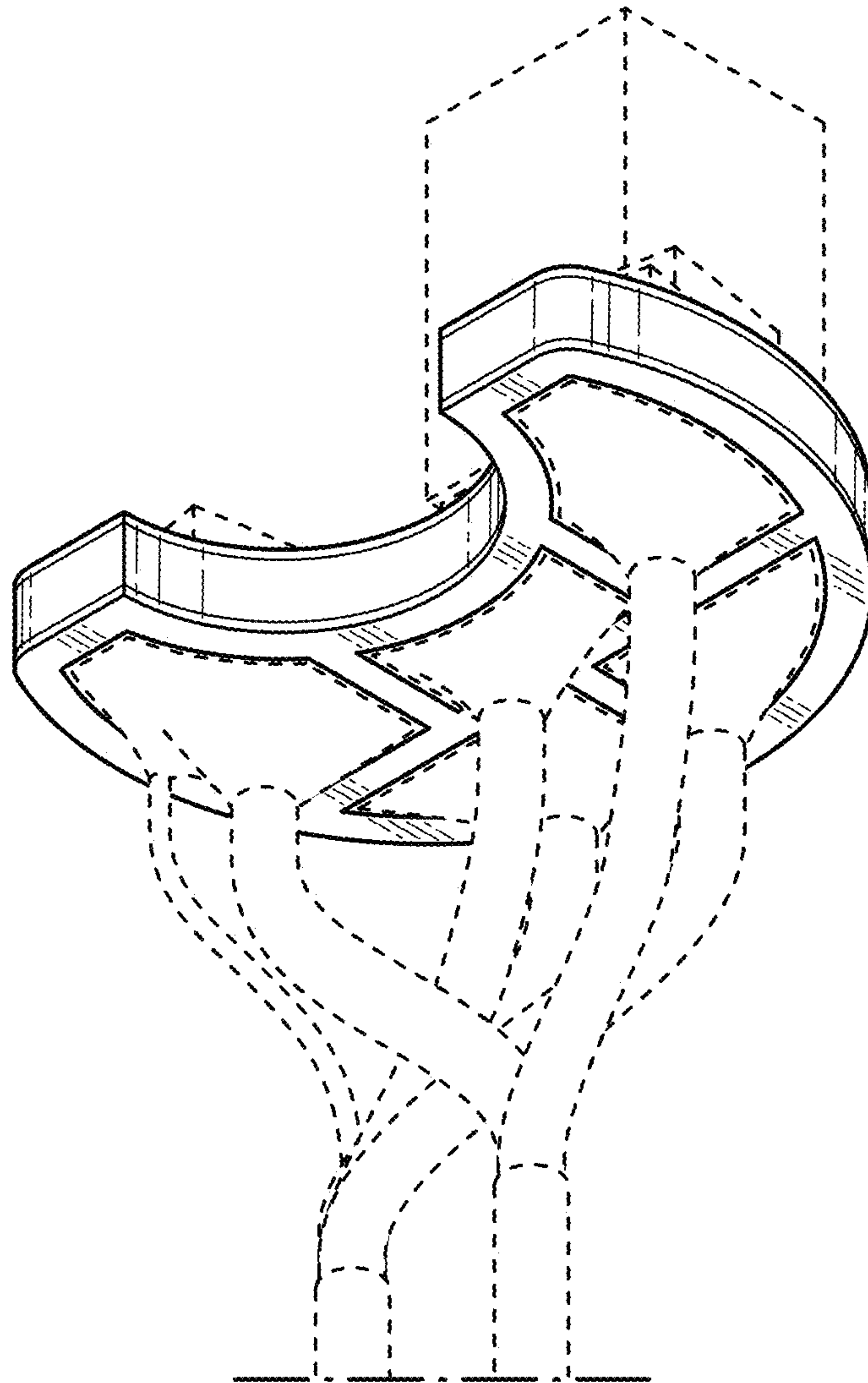


FIG. 4

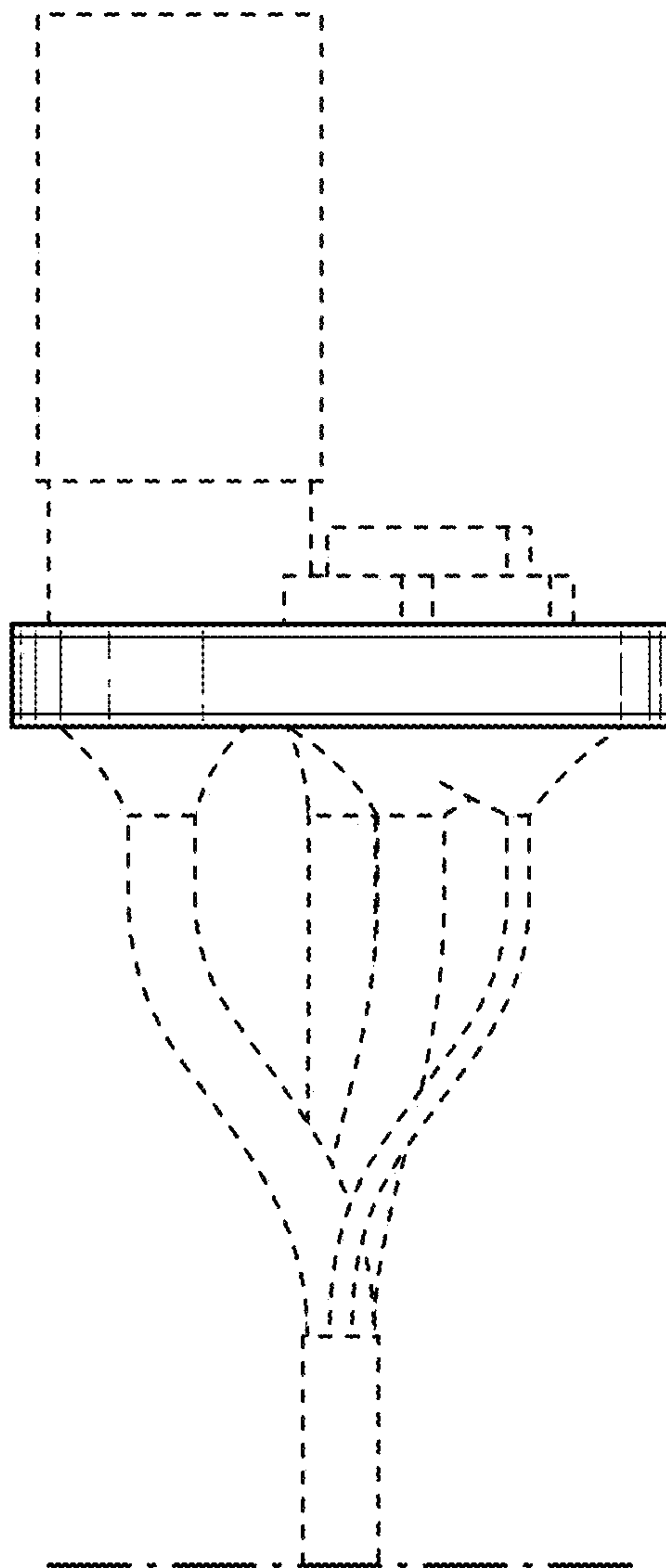


FIG. 5

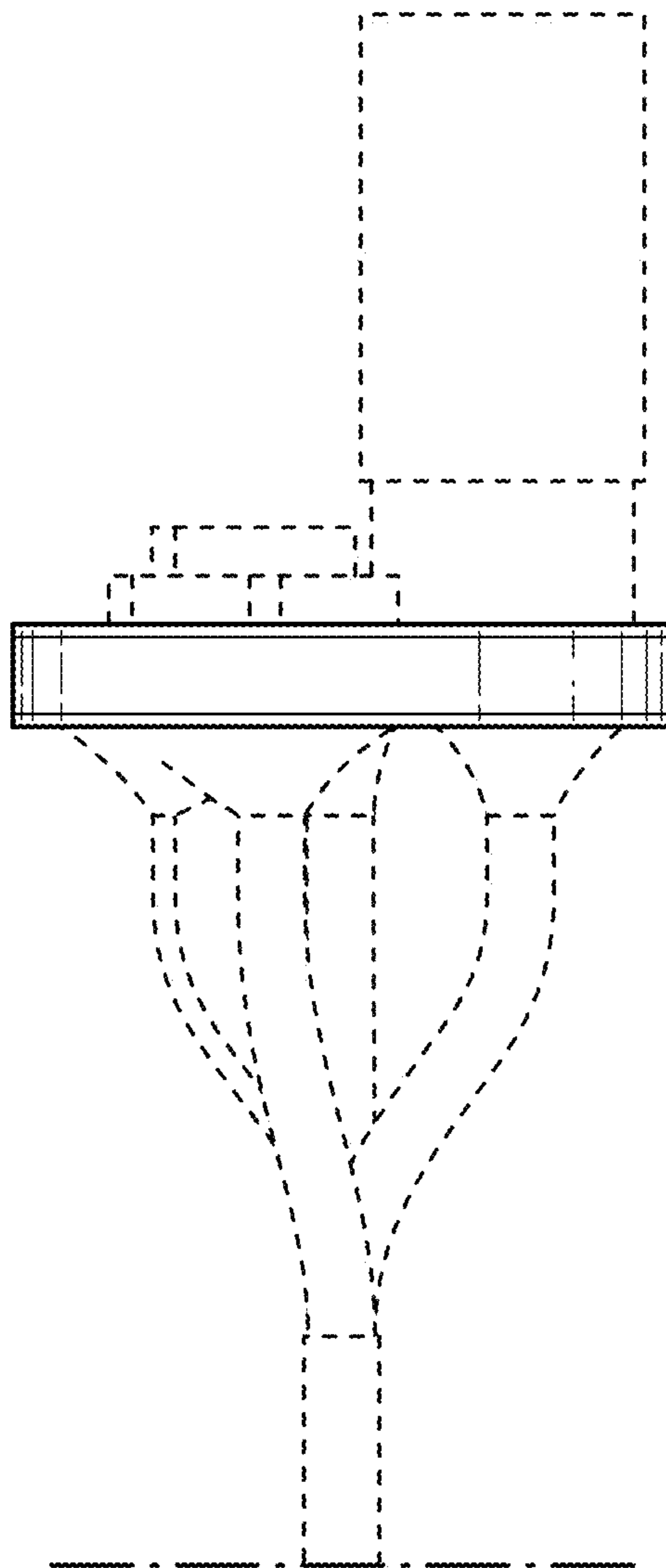


FIG. 6

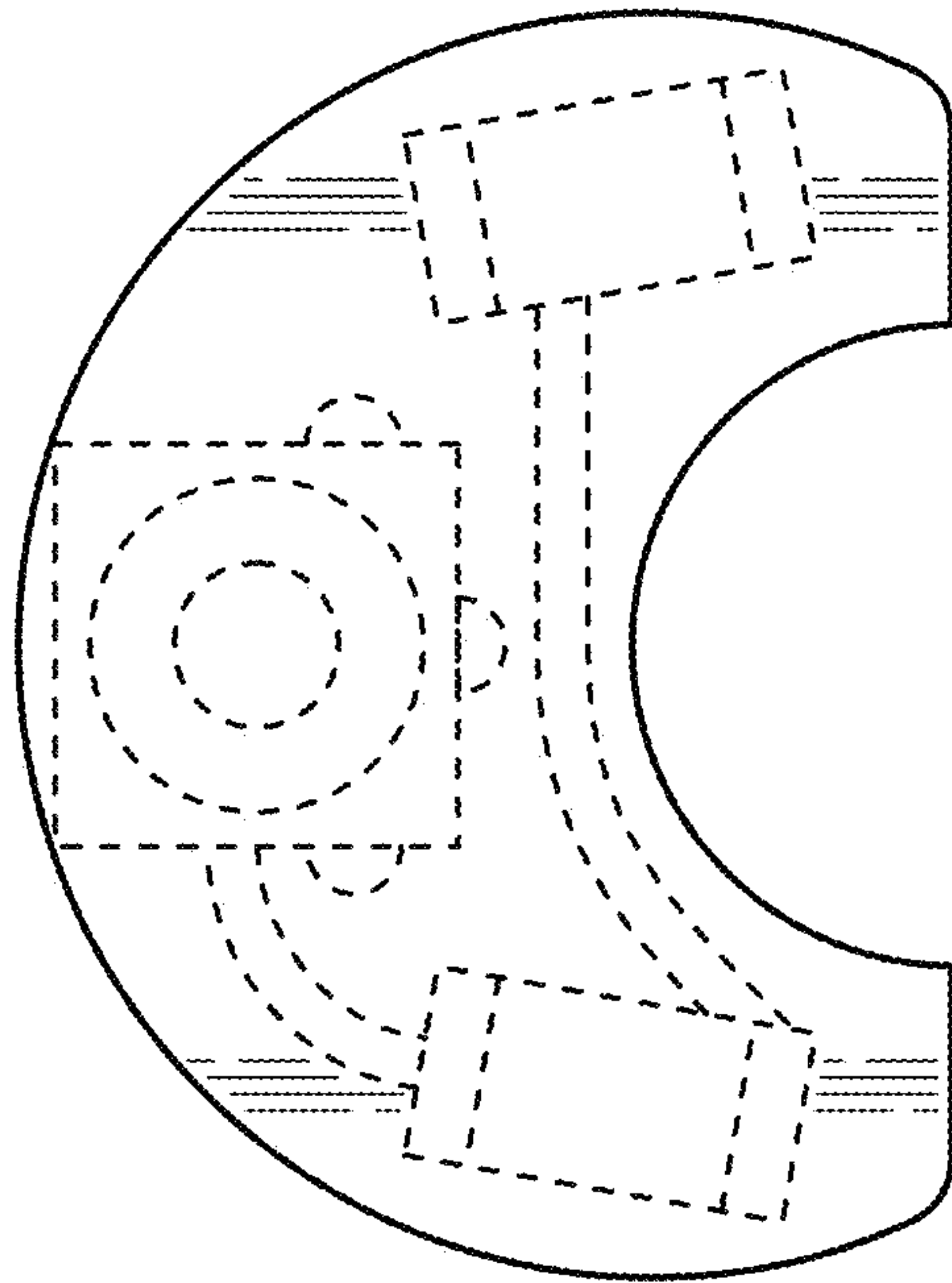


FIG. 7

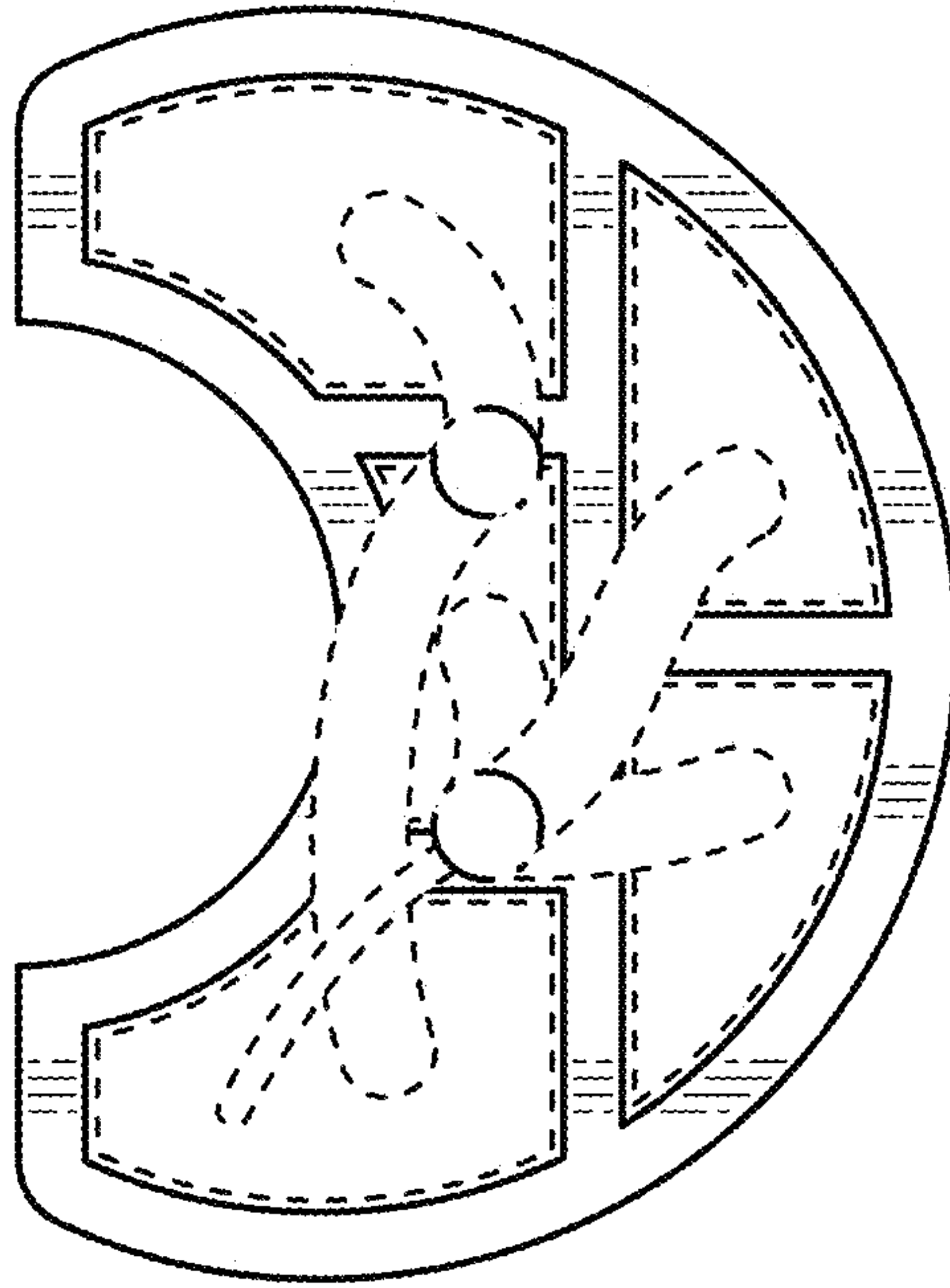


FIG. 8

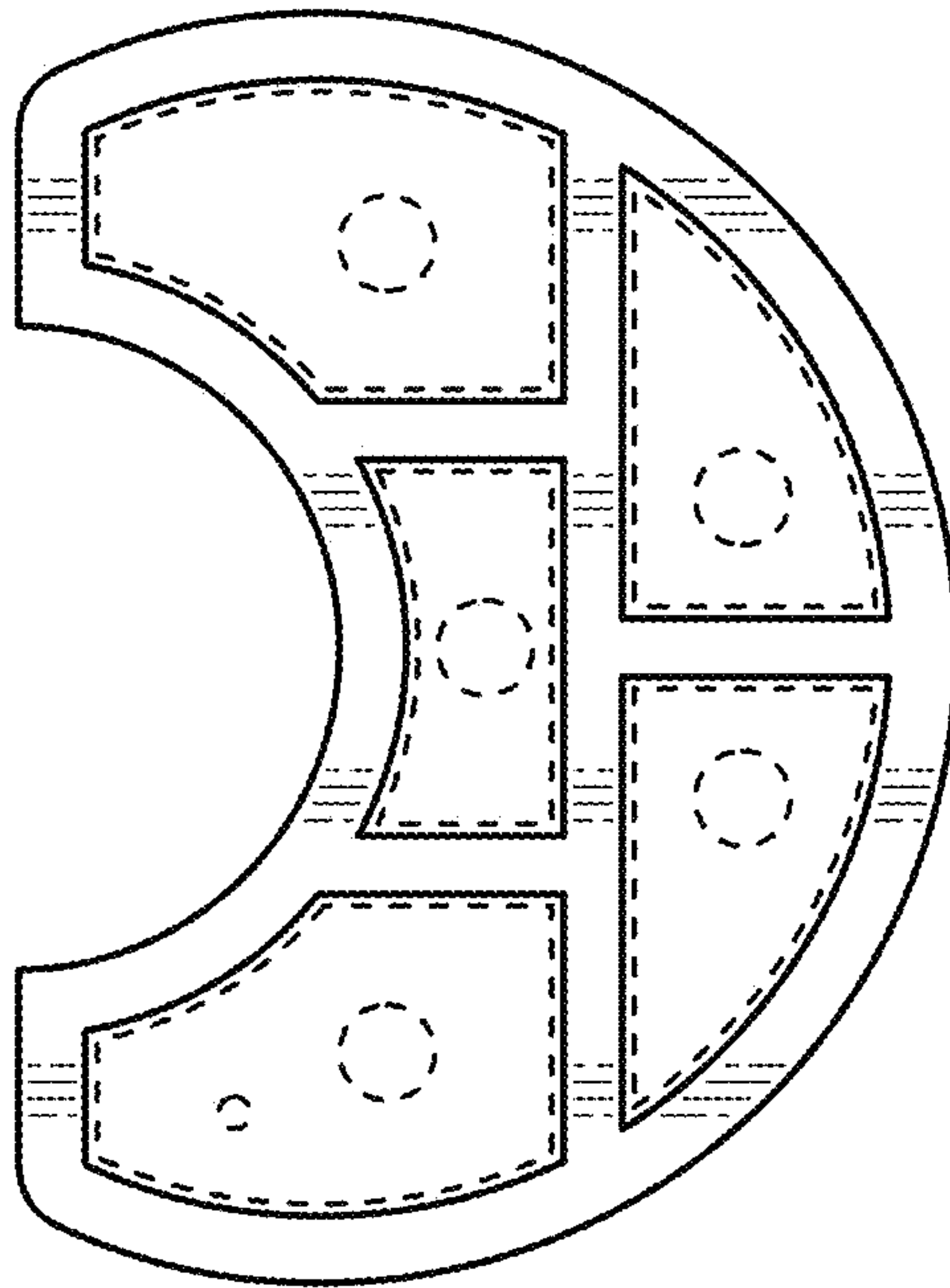


FIG. 9