



US00D887468S

(12) **United States Design Patent**
Hirvesaar

(10) **Patent No.:** **US D887,468 S**
(45) **Date of Patent:** **** Jun. 16, 2020**

- (54) **AUTOMATED GUIDED VEHICLE**
- (71) Applicant: **Cleveron AS**, Viljandi (EE)
- (72) Inventor: **Lauri Hirvesaar**, Tallinn (EE)
- (73) Assignee: **Cleveron AS**, Viljandi (EE)
- (**) Term: **15 Years**
- (21) Appl. No.: **29/689,216**
- (22) Filed: **Apr. 29, 2019**
- (30) **Foreign Application Priority Data**

Nov. 1, 2018 (EM) 005814381-0001

- (51) **LOC (12) Cl.** **15-99**
- (52) **U.S. Cl.**
USPC **D15/199**; D34/34
- (58) **Field of Classification Search**
USPC D15/199; D21/578-583, 621, 622;
D32/21; D34/34
CPC B23K 9/133; B23K 9/287; B25J 9/0018;
B25J 19/0025; Y10T 74/20; Y10T
74/20207; Y10T 74/20311; Y10T
74/20305; Y10S 901/01
See application file for complete search history.

(56) **References Cited**

U.S. PATENT DOCUMENTS

- 4,137,984 A * 2/1979 Jennings B62D 1/28
180/168
- D720,511 S * 12/2014 Shin D32/21
- 8,898,844 B1 * 12/2014 Dooley A47L 11/10
15/319
- D722,631 S * 2/2015 Stone D12/1
- D743,647 S * 11/2015 Heck D32/21

- D781,955 S * 3/2017 Kim D18/50
- D810,799 S * 2/2018 Sokuza D15/199
- D812,663 S * 3/2018 Waters D15/199
- D839,331 S * 1/2019 Nilsson D15/199
- D843,888 S * 3/2019 Wang D12/16.1
- D856,389 S * 8/2019 Gayne D15/199
- D858,790 S * 9/2019 Hsu D24/216
- D864,270 S * 10/2019 Hu D15/199
- D865,021 S * 10/2019 Hu D15/199
- D870,165 S * 12/2019 Hacikyan D15/124
- D871,475 S * 12/2019 Kolb D15/199
- D871,477 S * 12/2019 Kolb D15/199
- D871,478 S * 12/2019 Wang D15/199
- D873,173 S * 1/2020 Brucker D12/1
- D873,174 S * 1/2020 Sokuza D12/1
- D879,851 S * 3/2020 Li D15/199
- D879,852 S * 3/2020 Chen D15/199
- D880,550 S * 4/2020 Sokuza D15/199

* cited by examiner

Primary Examiner — Patricia A Palasik

(74) *Attorney, Agent, or Firm* — Berggren LLP

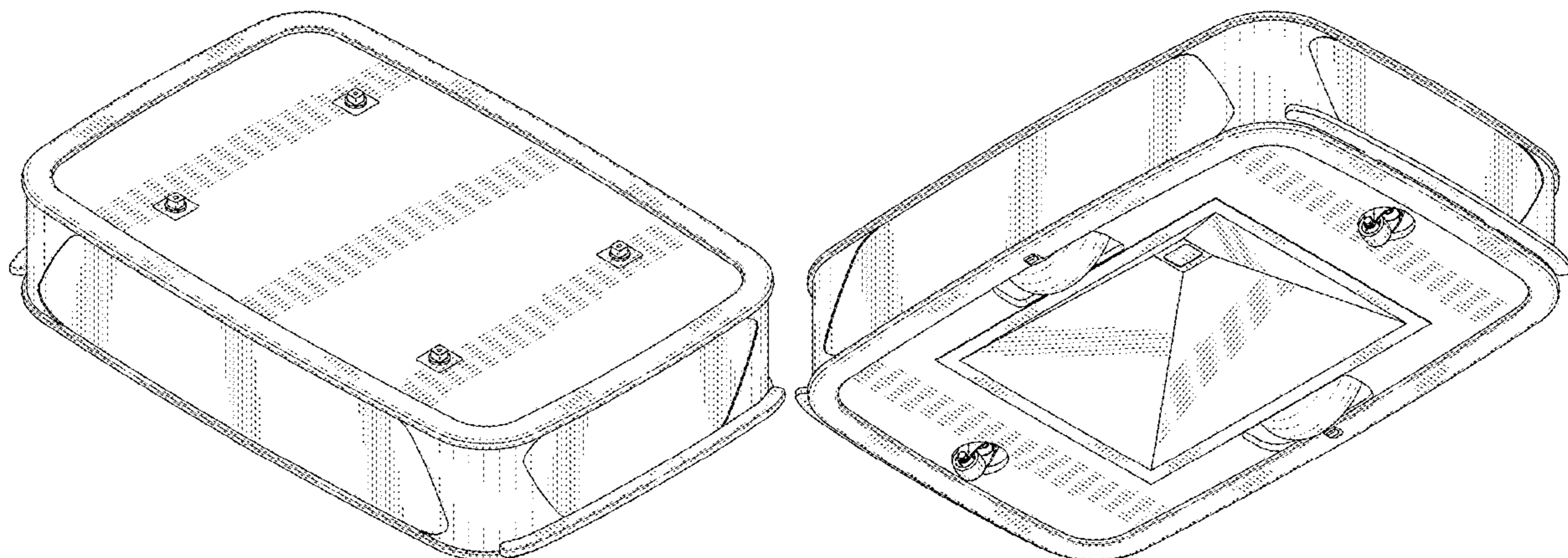
(57) **CLAIM**

The ornamental design for a, automated guided vehicle, as shown and described.

DESCRIPTION

FIG. 1 is an isometric perspective view of the automated guided vehicle;
 FIG. 2 is an isometric perspective view of the opposite side thereof;
 FIG. 3 is the top view thereof;
 FIG. 4 is the bottom view thereof;
 FIG. 5 is a side view of a shorter side thereof, the opposite side view being identical; and,
 FIG. 6 is a side view of the longer side thereof, the opposite side view being identical.

1 Claim, 5 Drawing Sheets



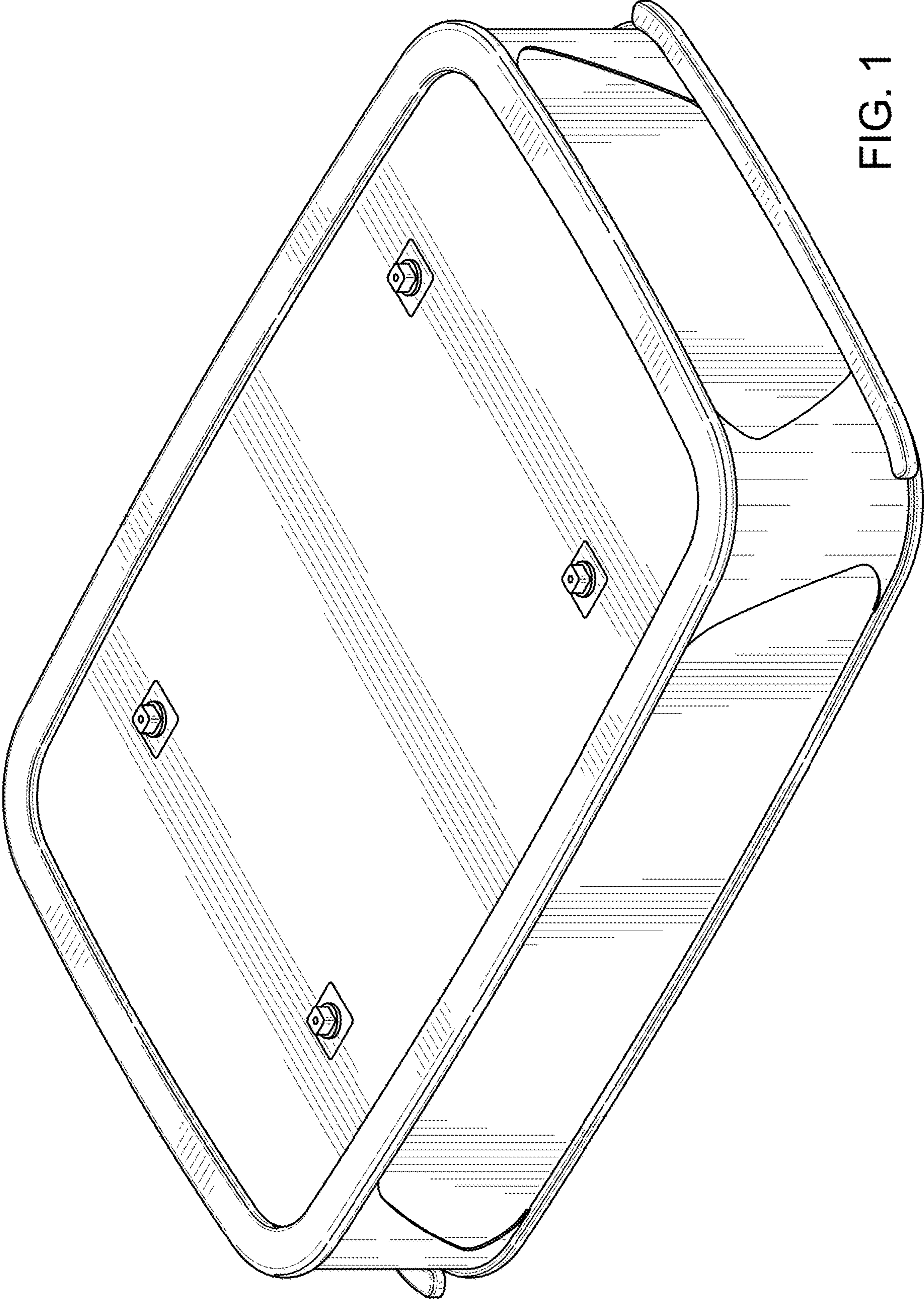


FIG. 1

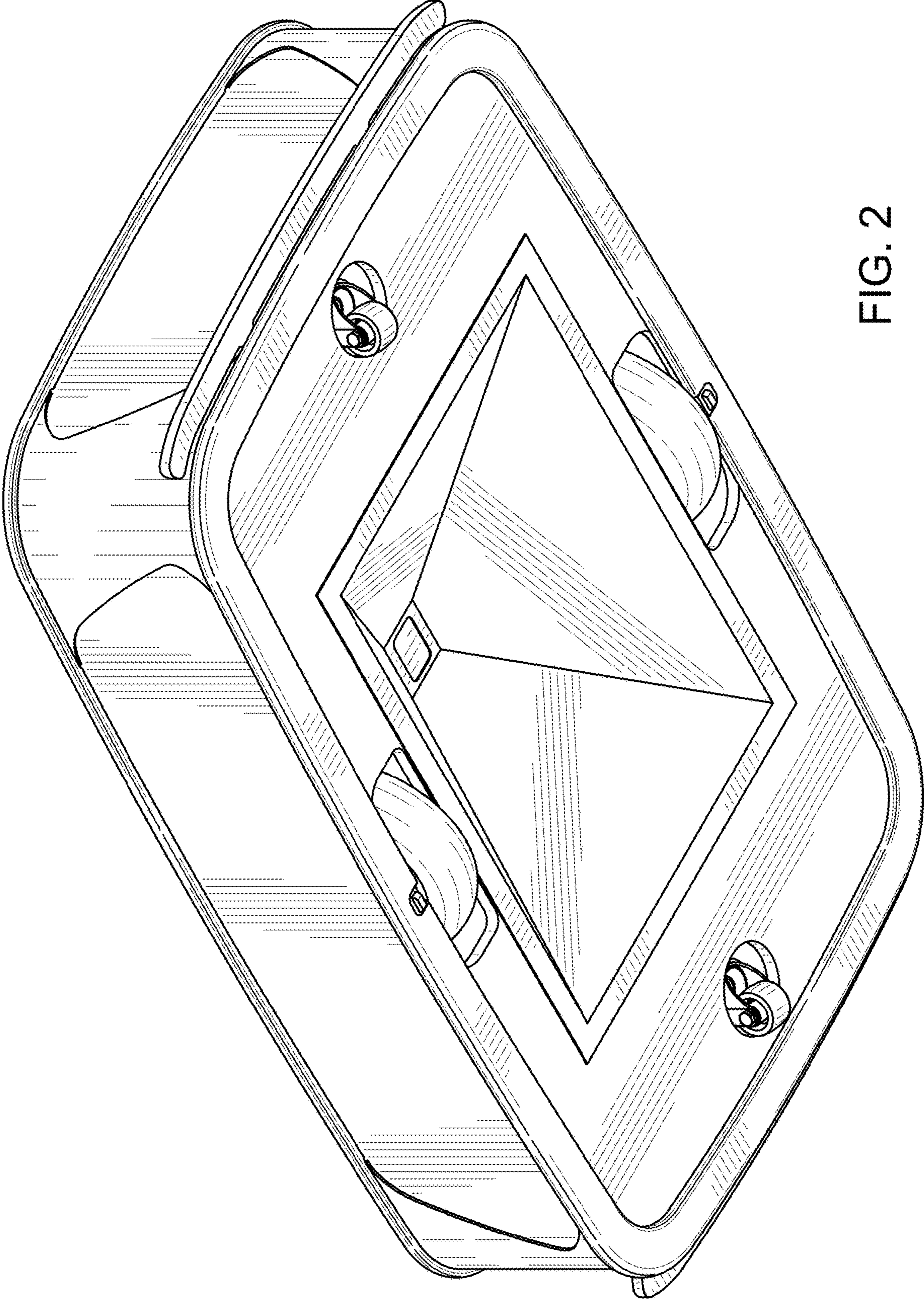


FIG. 2

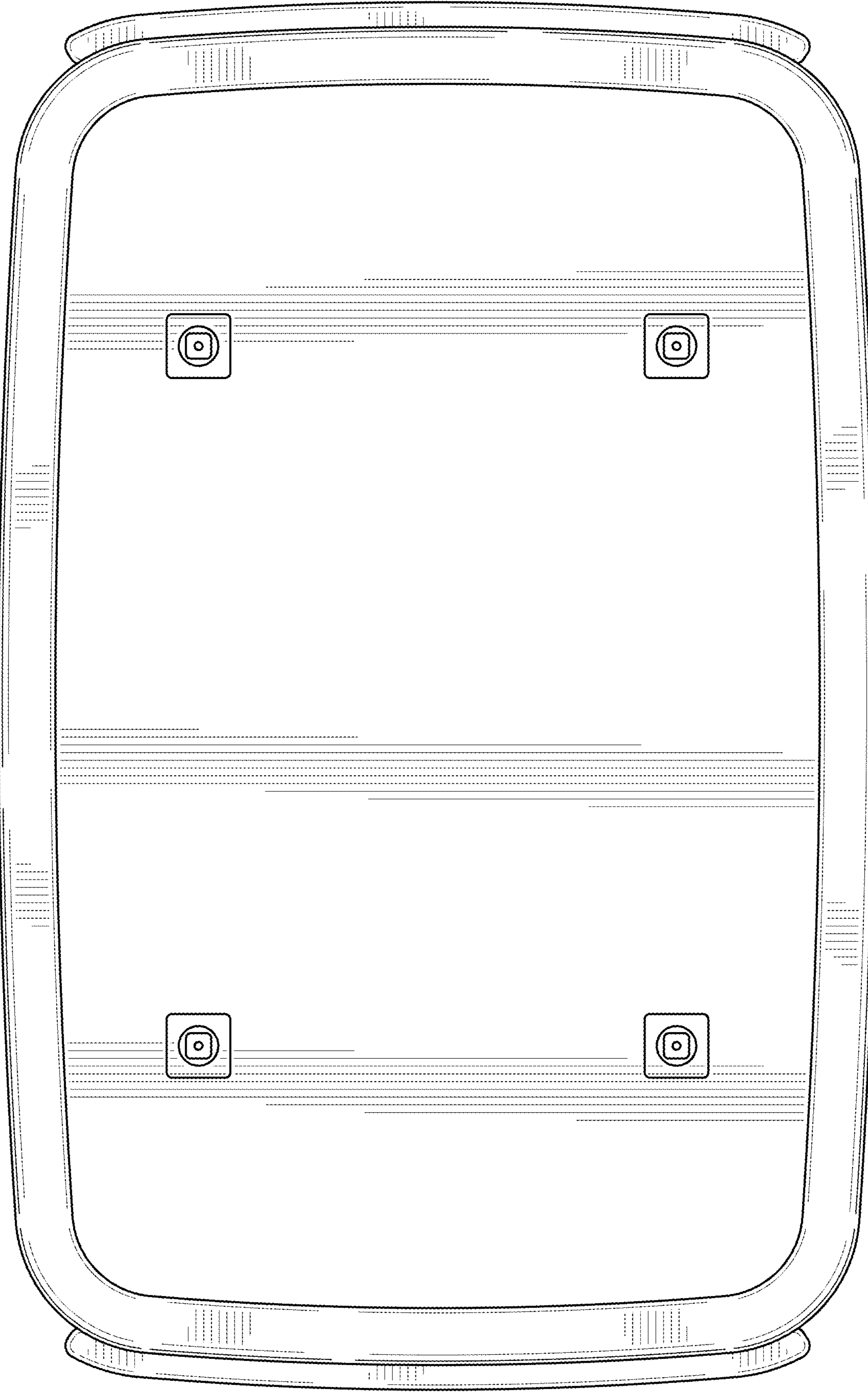


FIG. 3

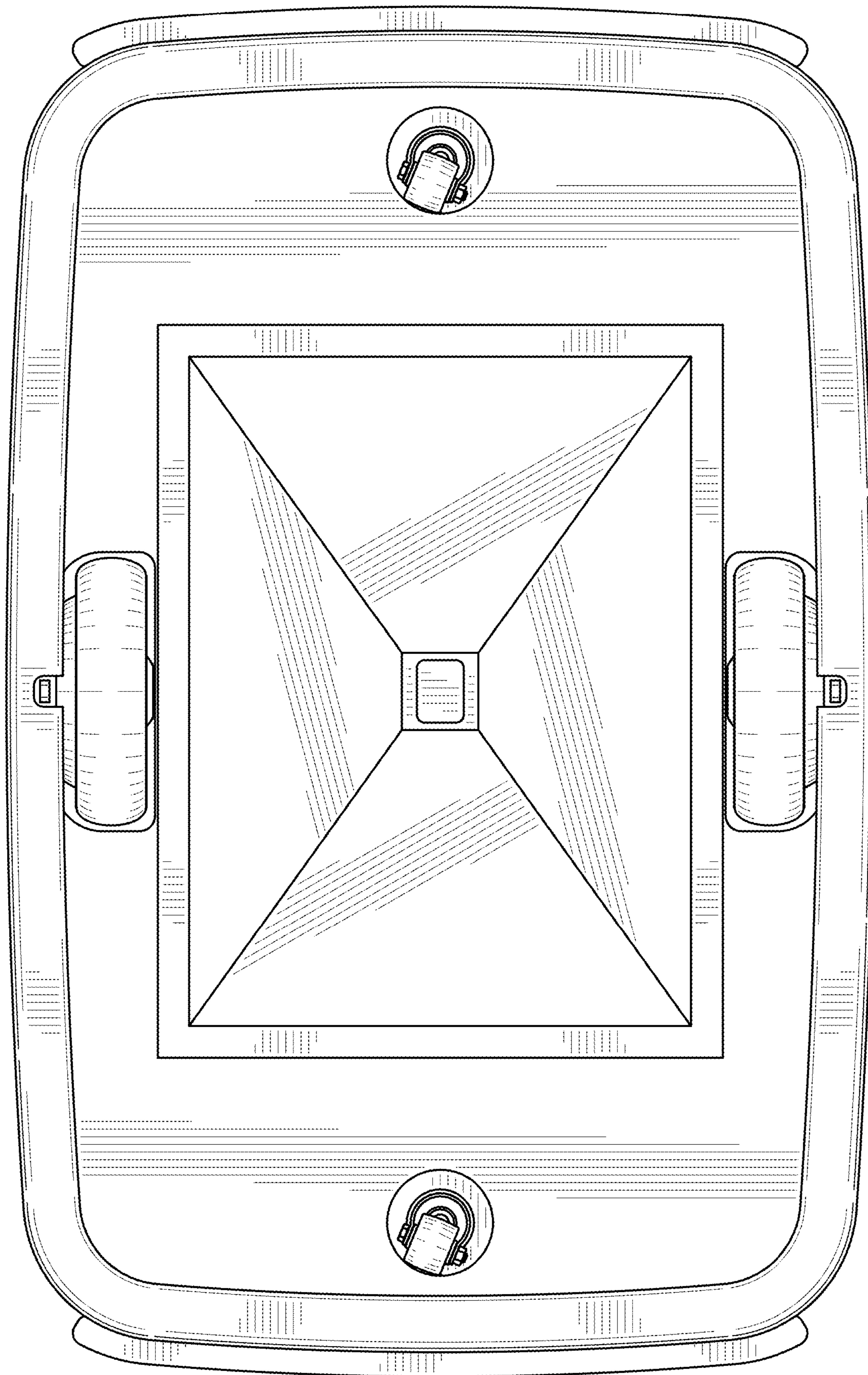


FIG. 4

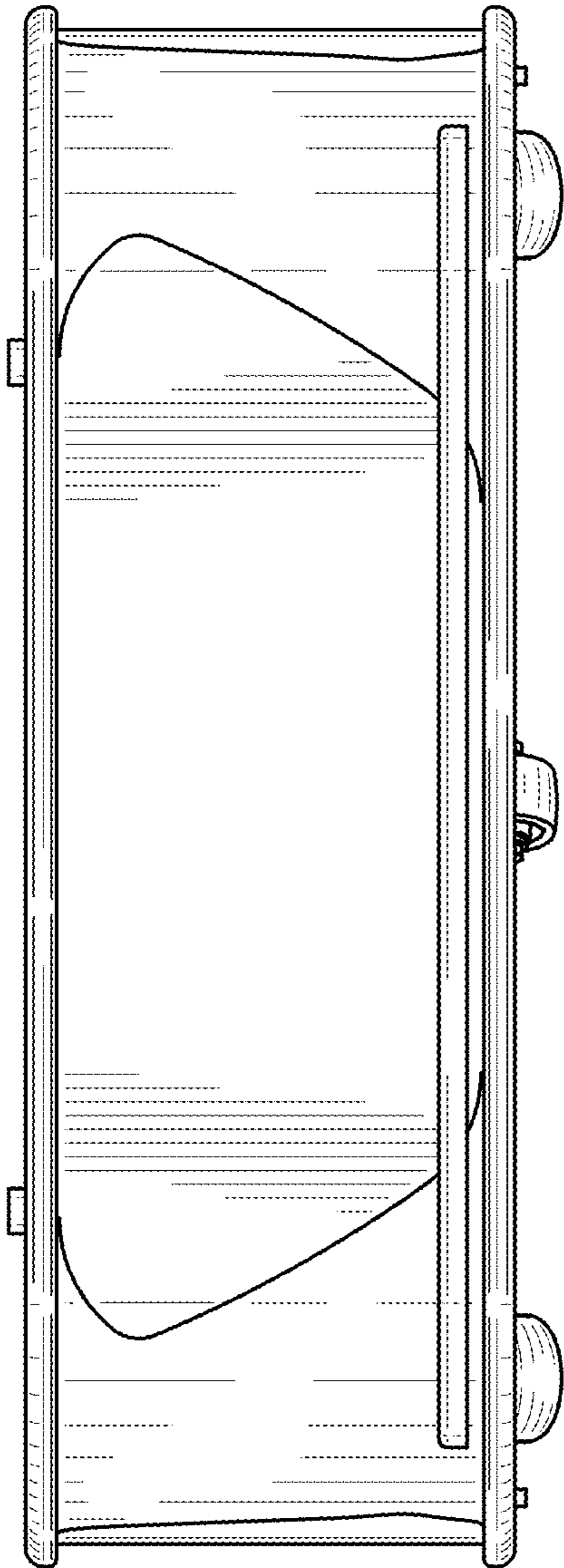


FIG. 5

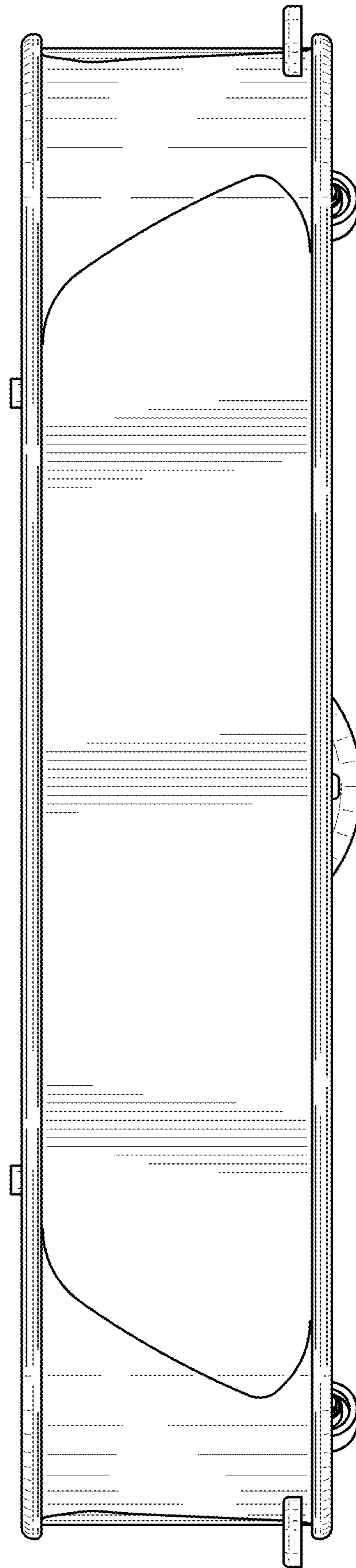


FIG. 6