



US00D887462S

(12) **United States Design Patent** (10) **Patent No.:** **US D887,462 S**  
**Hacikyan** (45) **Date of Patent:** **\*\* Jun. 16, 2020**

- (54) **GLASS GRINDING APPARATUS**
- (71) Applicant: **Michael Hacikyan**, Naples, FL (US)
- (72) Inventor: **Michael Hacikyan**, Naples, FL (US)
- (\*\*) Term: **15 Years**
- (21) Appl. No.: **29/702,089**
- (22) Filed: **Aug. 16, 2019**

**Related U.S. Application Data**

- (62) Division of application No. 29/643,037, filed on Apr. 3, 2018, now Pat. No. Des. 870,165.
- (51) **LOC (12) Cl.** ..... **15-09**
- (52) **U.S. Cl.**  
USPC ..... **D15/124**
- (58) **Field of Classification Search**  
USPC ..... D15/124, 125, 126, 199  
CPC ..... B24B 9/06; B24B 9/10  
See application file for complete search history.

(56) **References Cited**

**U.S. PATENT DOCUMENTS**

1,937,388 A	11/1933	Kranich
1,961,487 A	6/1934	Hamann
1,987,054 A	1/1935	Crowley
1,997,551 A	4/1935	Romaine
2,238,704 A	4/1941	Miller
2,604,823 A	7/1952	Szypulinski
2,790,271 A	4/1957	Samson
2,847,801 A	12/1958	Sciurba
3,123,950 A	3/1964	Kuris
3,977,127 A	8/1976	Mahnken
4,423,568 A	1/1984	Gould
4,516,357 A	5/1985	Gach
4,543,021 A	9/1985	Adler
4,551,948 A	11/1985	Kindig et al.
4,884,927 A	12/1989	Menker
5,056,969 A	10/1991	Nerland et al.
5,109,632 A	5/1992	Hostler

5,241,791 A	9/1993	Lacy
5,251,407 A	10/1993	Afshar
5,265,382 A	11/1993	Park
5,342,156 A	8/1994	Baba
5,345,726 A	9/1994	Gach
5,409,417 A	4/1995	Bando
5,423,359 A	6/1995	Aigner
5,498,200 A	3/1996	Werner
5,527,207 A	6/1996	Azar et al.
5,549,509 A	8/1996	Hirst et al.
5,586,928 A	12/1996	Wiand
5,609,512 A	3/1997	Holmes et al.
5,681,211 A	10/1997	Wiand
5,807,166 A	9/1998	Bando
6,083,086 A	7/2000	Hacikyan

(Continued)

**OTHER PUBLICATIONS**

Diamond Tech International, "Diamond Max Two-In-One Grinder Operations Manual", at least as early as Mar. 10, 2018, 4 pages.

*Primary Examiner* — Patricia A Palasik

(74) *Attorney, Agent, or Firm* — Walter W. Duft

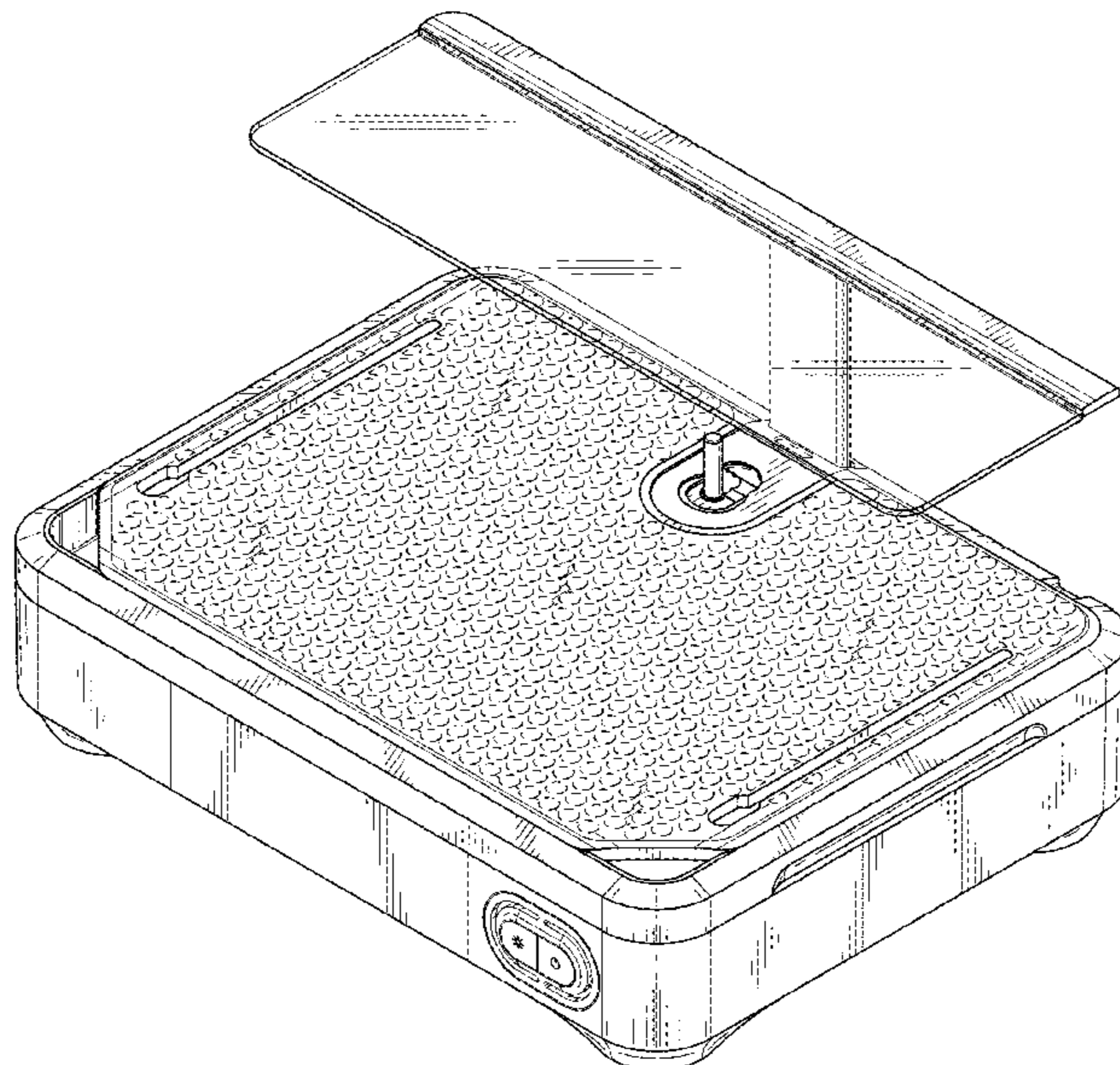
(57) **CLAIM**

The ornamental design for a glass grinding apparatus, as shown and described.

**DESCRIPTION**

FIG. 1 is an upper perspective view of the design; FIG. 2 is a lower perspective view of the design; FIG. 3 is a top plan view of the design; FIG. 4 is a bottom plan view of the design; FIG. 5 is a front elevation view of the design; FIG. 6 is a rear elevation view of the design; FIG. 7 is a right side elevation view of the design; and, FIG. 8 is a left side elevation view of the design. The broken lines depict portions of the glass grinding apparatus that form no part of the claimed design.

**1 Claim, 6 Drawing Sheets**



(56)

**References Cited**

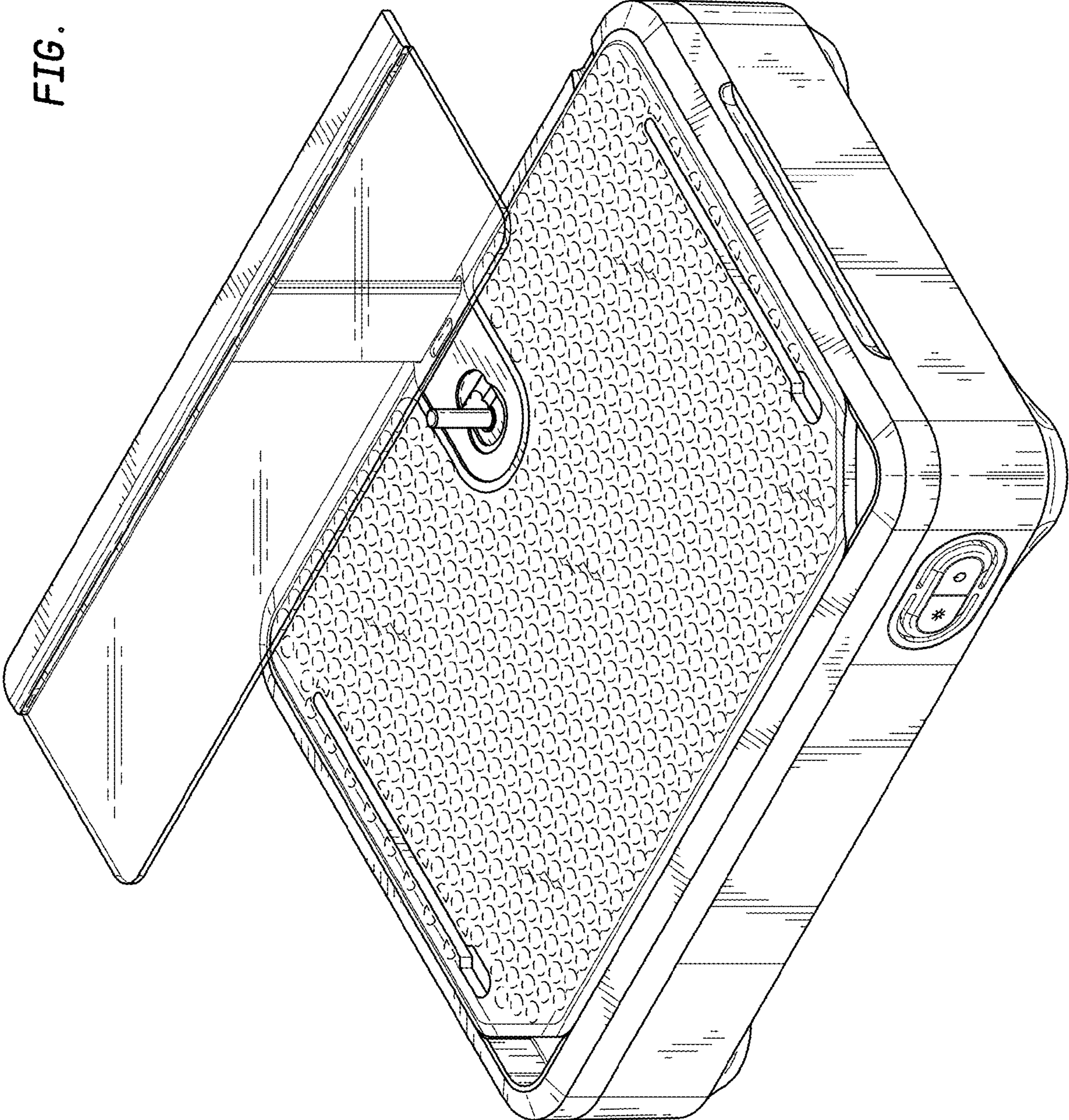
U.S. PATENT DOCUMENTS

6,123,606	A	9/2000	Hill et al.	
6,176,656	B1	1/2001	Seong	
6,241,589	B1	6/2001	Hacikyan	
6,416,394	B1	7/2002	Hacikyan	
6,896,601	B2	5/2005	Hacikyan	
6,994,613	B2	2/2006	Hacikyan	
7,125,328	B1	10/2006	Hacikyan	
D600,263	S	9/2009	Eckhardt	
D647,132	S	10/2011	Kim	
D707,276	S	6/2014	Norman	
D738,413	S	9/2015	Randlov	
D781,955	S	3/2017	Kim	
D812,663	S	3/2018	Waters	
10,357,864	B2	7/2019	Bando	
D870,165	S *	12/2019	Hacikyan .....	D15/124
2002/0061712	A1	5/2002	Gariglio	
2005/0090189	A1	4/2005	Brown	
2013/0316618	A1	11/2013	Lee	
2014/0204141	A1	7/2014	Arakane	

\* cited by examiner



FIG. 1



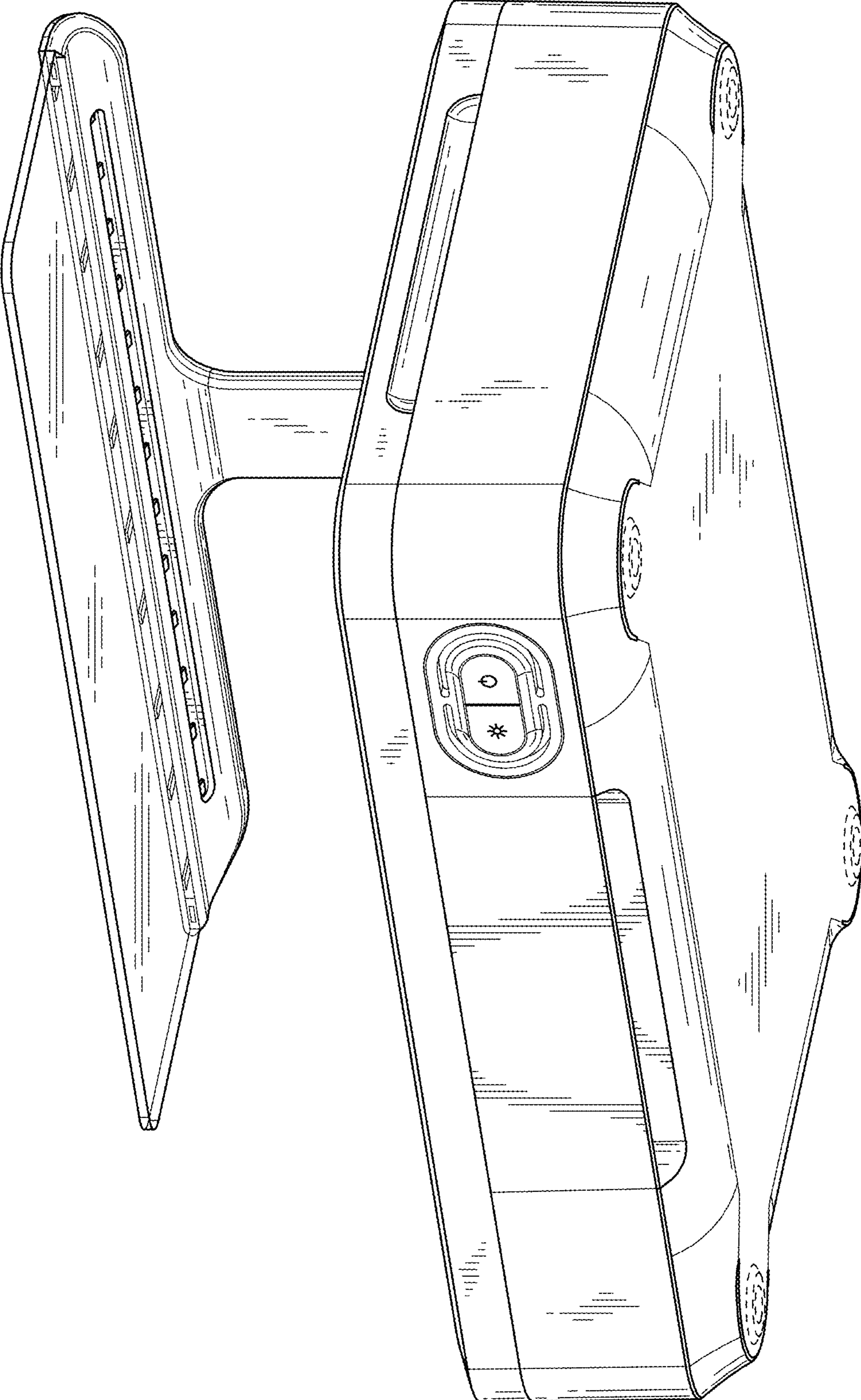


FIG. 2



FIG. 3

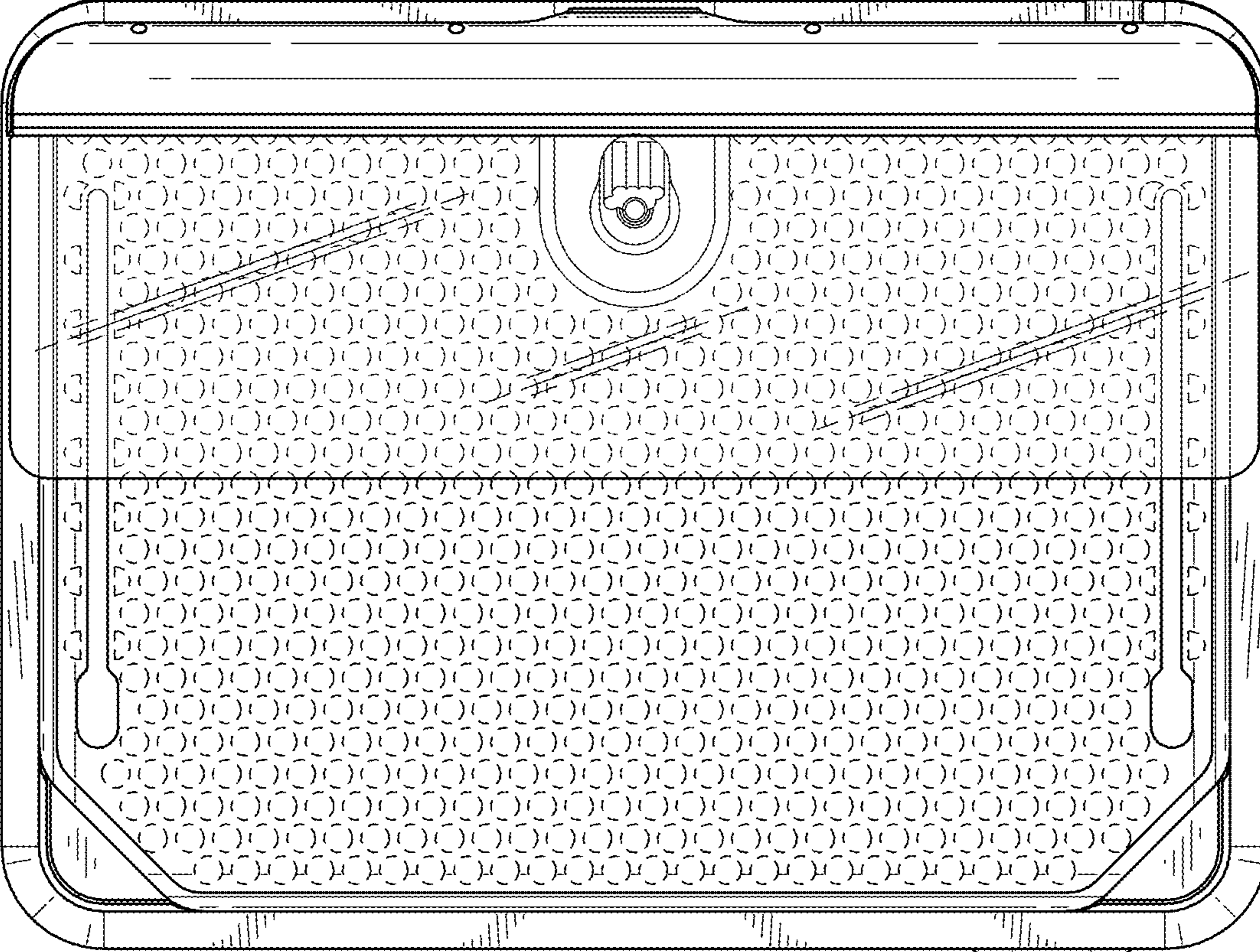


FIG. 4

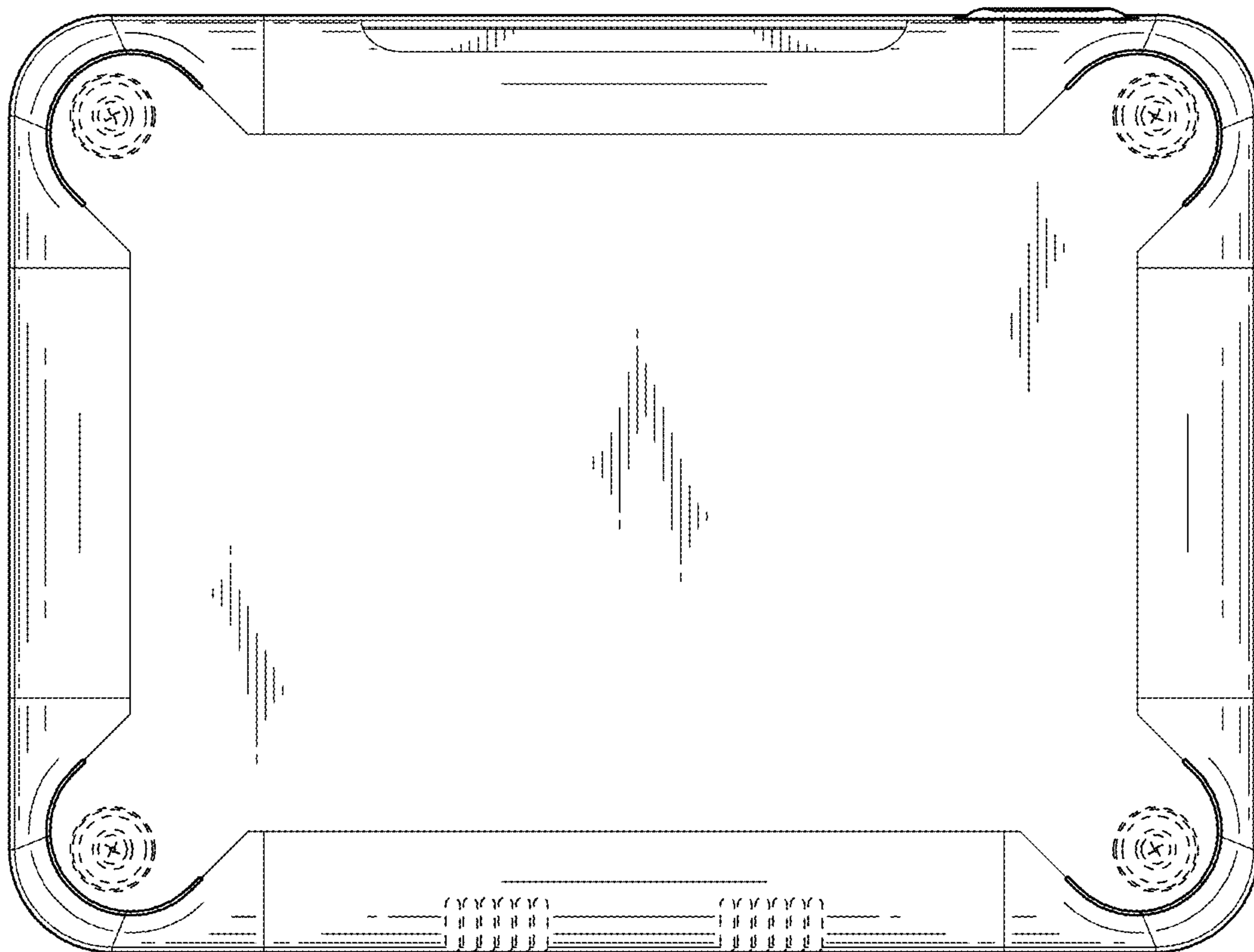


FIG. 5

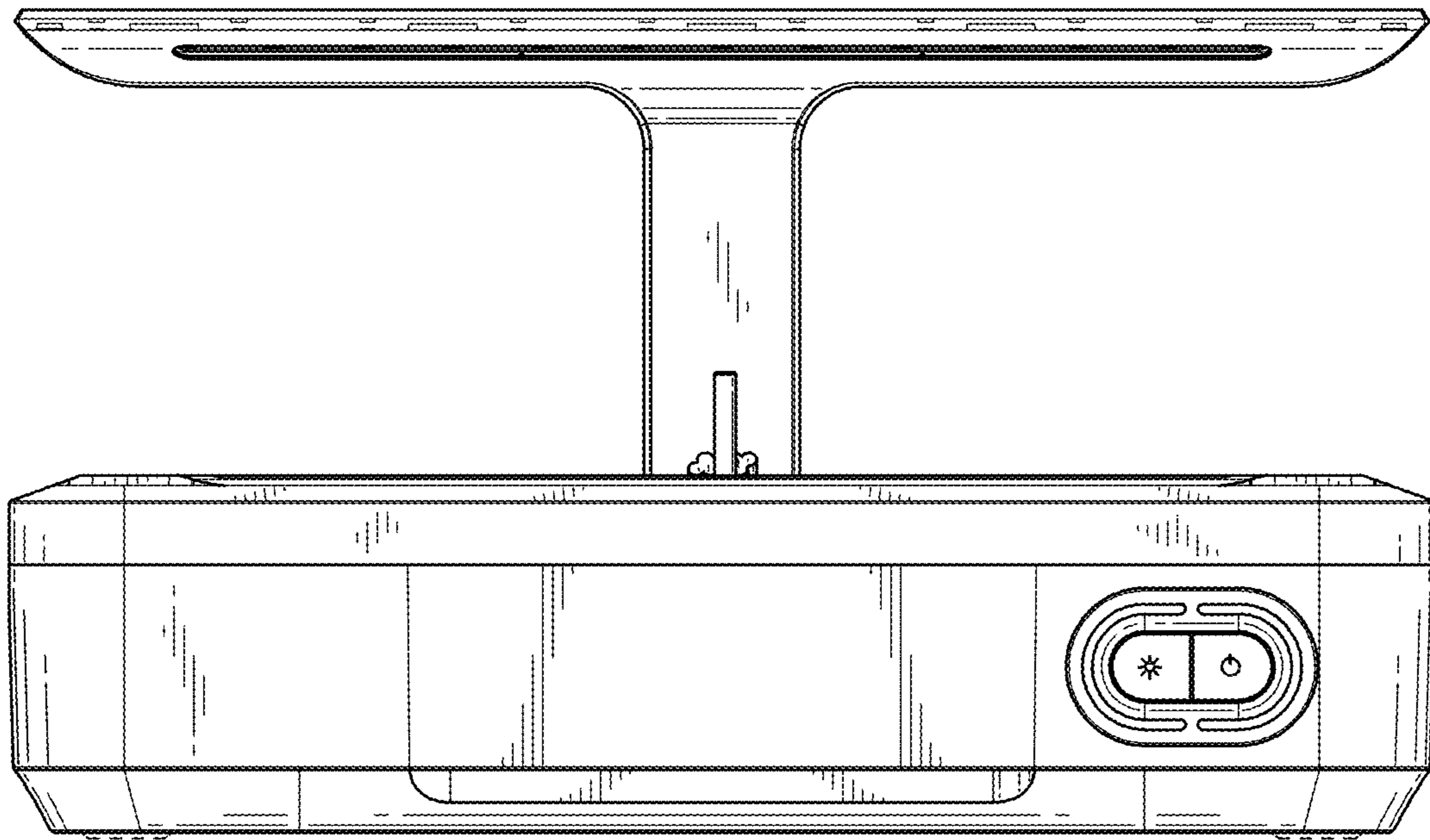


FIG. 6

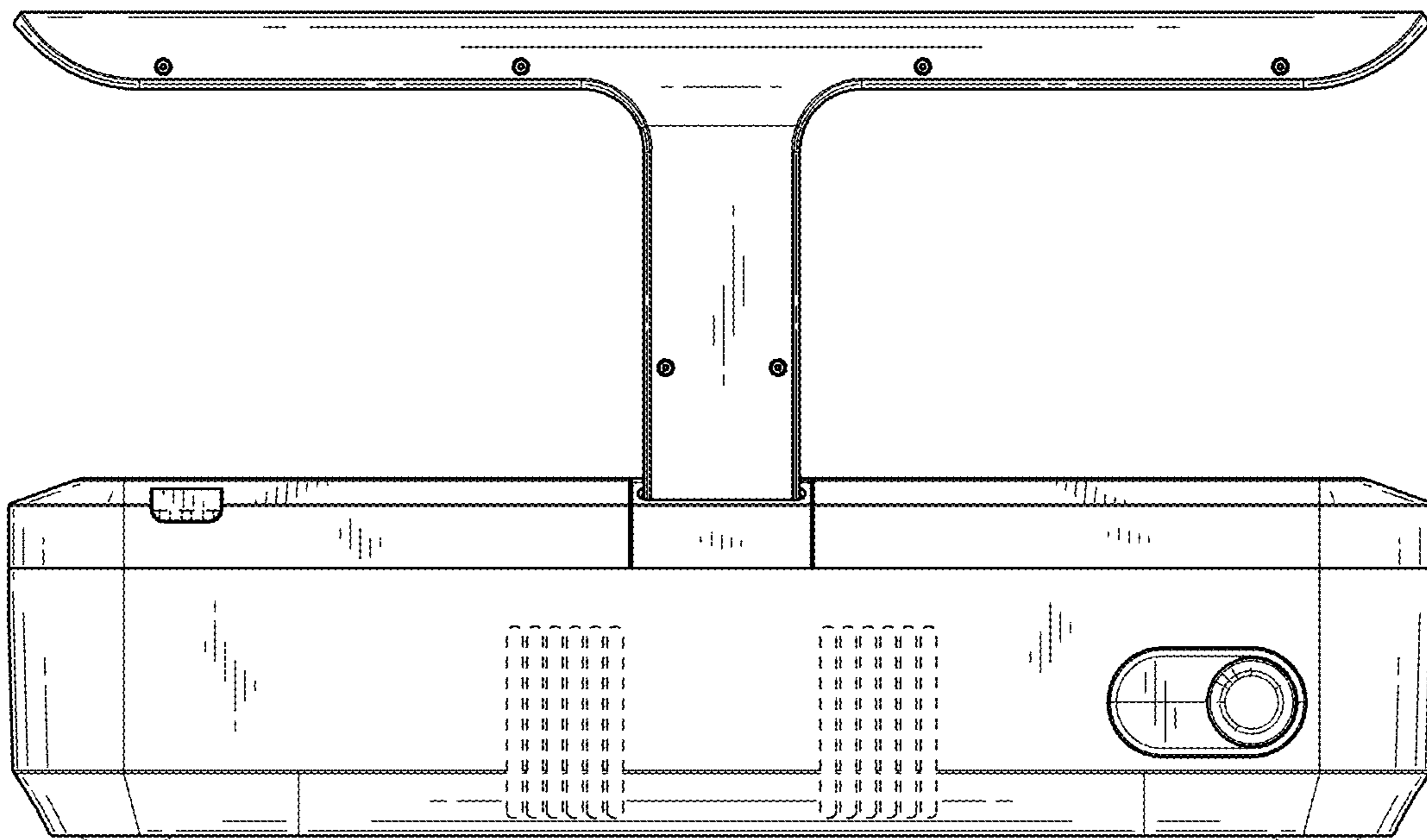


FIG. 7

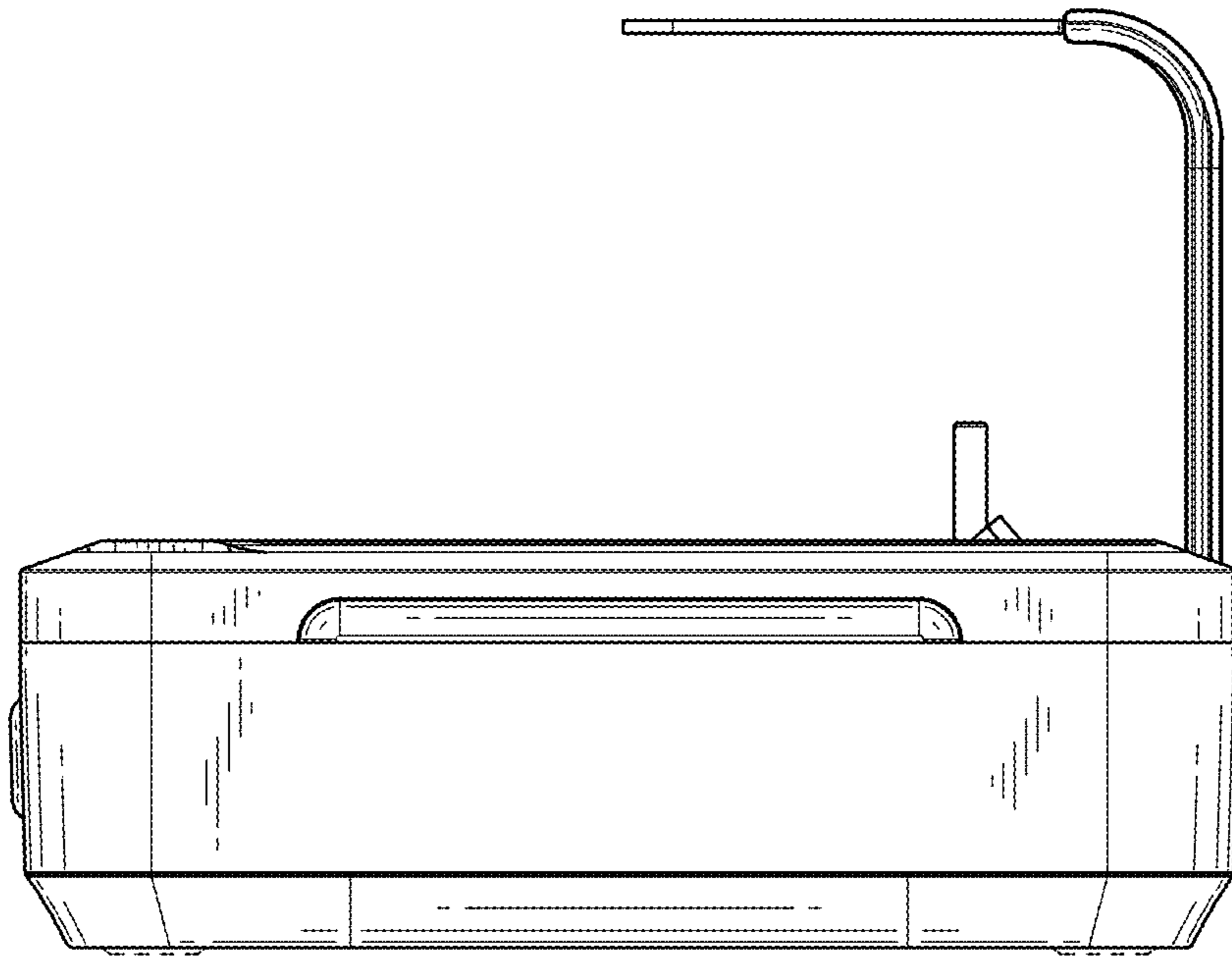


FIG. 8

