



US00D887459S

(12) **United States Design Patent** (10) **Patent No.:** **US D887,459 S**
Olsson et al. (45) **Date of Patent:** **** Jun. 16, 2020**

(54) **REFRIGERATOR FREEZER APPLIANCE**

(71) Applicant: **Dometic Sweden AB**, Solna (SE)

(72) Inventors: **Kristoffer Olsson**, Stockholm (SE);
Samuele Meda, Solna (SE)

(73) Assignee: **Dometic Sweden AB**, Solna (SE)

(**) Term: **15 Years**

(21) Appl. No.: **29/631,238**

(22) Filed: **Dec. 28, 2017**

(30) **Foreign Application Priority Data**

Jun. 30, 2017 (EM) 004077170

(51) **LOC (12) Cl.** **15-07**

(52) **U.S. Cl.**
USPC **D15/85**

(58) **Field of Classification Search**
USPC D15/79-91; D6/707, 707.7, 324, 705,
D6/705.7, 702, 706, 707.19, 675.3, 672,
D6/675, 675.1, 675.2, 449, 465, 468, 475,
D6/510-511, 574

CPC F25D 23/028; F25D 11/02; F25D 23/126;
F25D 25/02; F25D 27/00; F25D 27/005;
F25D 23/025; F25D 23/04; F25D
2323/021; F25D 2323/023; F25D 23/062;
F25D 25/025; F25D 17/045; F25D
2325/021; F25D 2325/022; F25D 23/00;
F25D 23/02; F25D 23/067; F25D 23/069;
F25D 2400/361; F25D 2500/02; F25D
2500/06; F25D 25/024; F25D 29/00;
F25D 11/00; F25D 11/022; F25D 17/065;
F25D 21/04; F25D 2317/061; F25D
2317/063; F25D 2317/0651; F25D
2317/0653; F25D 2317/0661; F25D
2317/0665; F25D 2323/121; F25D
2323/122; F25D 2327/00; F25D
2327/001; F25D 2331/81; F25D 23/021;
F25D 23/06; F25D 23/066; F25D

(Continued)

(56) **References Cited**

U.S. PATENT DOCUMENTS

D342,744 S 12/1993 Renner
D468,325 S * 1/2003 Lorek D15/81
(Continued)

FOREIGN PATENT DOCUMENTS

AU 201717920 2/2018
AU 201810504 2/2018

(Continued)

OTHER PUBLICATIONS

Formalities notice No. 1 received in AU Design Application No.
201717920 on Jan. 22, 2018.

(Continued)

Primary Examiner — Khawaja Anwar
(74) *Attorney, Agent, or Firm* — Middleton Reutlinger

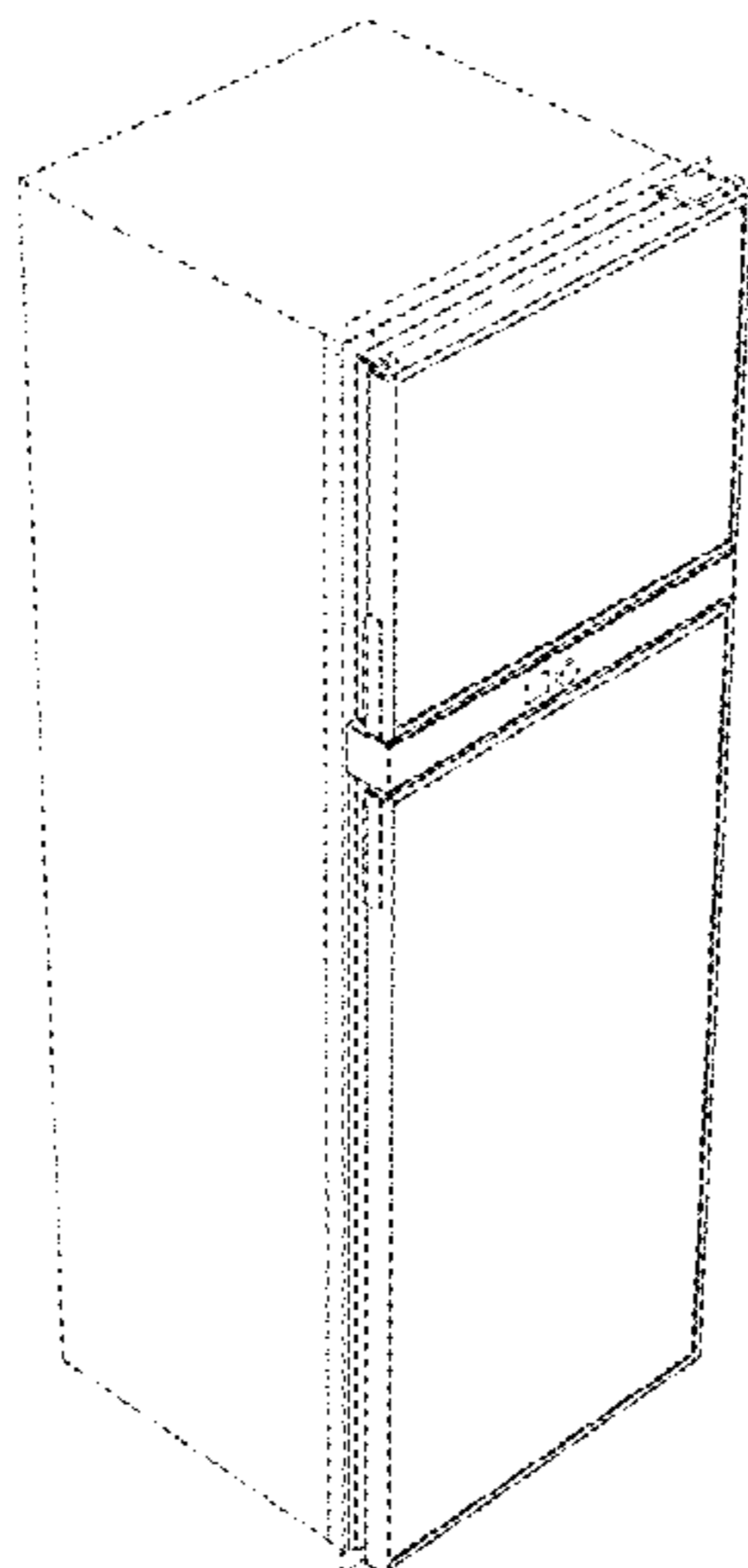
(57) **CLAIM**

The ornamental design for a refrigerator freezer appliance,
as shown and described.

DESCRIPTION

FIG. 1 is a first upper perspective view of a refrigerator
freezer appliance design;
FIG. 2 is a second upper perspective view of the refrigerator
freezer appliance design of FIG. 1;
FIG. 3 a front view of the refrigerator freezer appliance
design of FIG. 1;
FIG. 4 is a first side view of the refrigerator freezer appliance
design of FIG. 1;
FIG. 5 is a second side view of the refrigerator freezer
appliance design of FIG. 1; and,
FIG. 6 is a top view of the refrigerator freezer appliance
design of FIG. 1.

1 Claim, 6 Drawing Sheets



(58) **Field of Classification Search**

CPC 23/10; F25D 23/12; F25D 2400/00; F25D
 2400/02; F25D 2400/04; F25D 2400/16;
 F25D 2400/36; F25D 2400/40; F25D
 25/022; F25D 25/027; F25D 25/028;
 F25D 2600/02; F25D 2600/06; F25D
 2700/00; F25D 2700/04; F25D 2700/12;
 F25D 2700/122; F25D 2700/14; F25D
 29/005; F25D 31/00; F25D 31/002; F25D
 31/005

See application file for complete search history.

(56)

References Cited

U.S. PATENT DOCUMENTS

D468,326 S	1/2003	Lorek et al.	
D468,327 S	1/2003	Lorek et al.	
D476,667 S	7/2003	Lorek et al.	
D495,722 S *	9/2004	Avalos Barcenas	D15/91
D604,340 S *	11/2009	Kim	D15/81
D759,131 S	6/2016	Ogg et al.	
D761,885 S	7/2016	McConnell	
D761,886 S	7/2016	Seo et al.	
D795,312 S	8/2017	Shoemaker et al.	
D831,708 S	10/2018	Kim et al.	
D839,317 S	1/2019	de Cavalcanti et al.	
D848,493 S	5/2019	Ammerman et al.	
D851,139 S	6/2019	Corey et al.	
D852,234 S	6/2019	de Cavalcanti et al.	
D854,057 S	7/2019	de Cavalcanti et al.	
D865,007 S *	10/2019	Meda	D15/79
D866,620 S *	11/2019	Legros	D15/79
2009/0142458 A1 *	6/2009	McCann	A23B 4/066 426/231
2018/0347891 A1	12/2018	Lundqvist et al.	

FOREIGN PATENT DOCUMENTS

AU	201810505	2/2018
AU	201810506	2/2018
AU	201810507	2/2018
AU	201810509	2/2018
AU	201810512	2/2018
AU	201810513	2/2018
CN	304887724 S	11/2018
CN	304888719 S	11/2018

OTHER PUBLICATIONS

Notice of Granting Patent Right for Design Application No. 201730679685.1, dated Aug. 21, 2018.
 Notice of Granting Patent Right for Design Application No. 201830432641.3, dated Sep. 26, 2018.
 Design U.S. Appl. No. 29/631,236, filed Dec. 28, 2017.
 Restriction Requirement/ Election Mailed in Design U.S. Appl. No. 29/631,236 dated Nov. 1, 2019.
 Design U.S. Appl. No. 29/715,466, filed Dec. 2, 2019.
 Transmittal Letter of Related Cases dated Dec. 12, 2018.
 Application No. EU004077170 as filed Jun. 30, 2017.
 European Union Intellectual Property Office, Notification of Registration of 004077170-0001/004077170-0008 dated Jul. 3, 2017.
 State Intellectual Property Office of People's Republic of China; English translation for Notification of the First Office Action for Chinese Patent Application No. 201730679685.1 dated May 23, 2018.
 Dometic 2015 Full Line Catalog—Refrigerators, 2015.
 Dometic 2016 Product Catalog—Refrigerators, 2016.
 Design U.S. Appl. No. 29/594,936, filed Feb. 23, 2017.
 Design U.S. Appl. No. 29/637,464, filed Feb. 19, 2018.
 Notice of Allowance for U.S. Appl. No. 29/631,236, dated Jan. 29, 2020.
 Corrected Notice of Allowance for U.S. Appl. No. 29/631,236, dated Feb. 6, 2020.
 Design U.S. Appl. No. 29/731,322, filed Apr. 14, 2020.

* cited by examiner

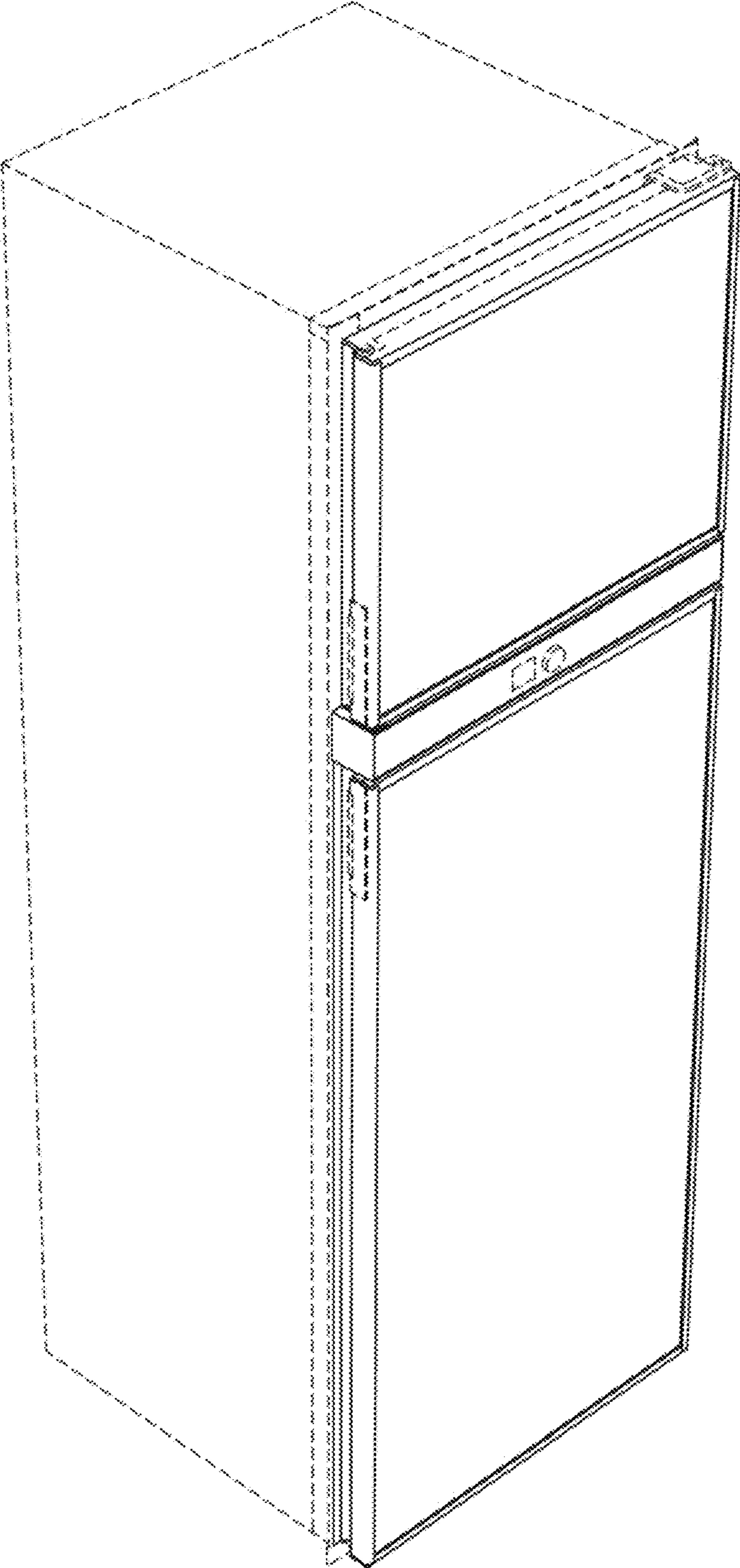


FIG. 1

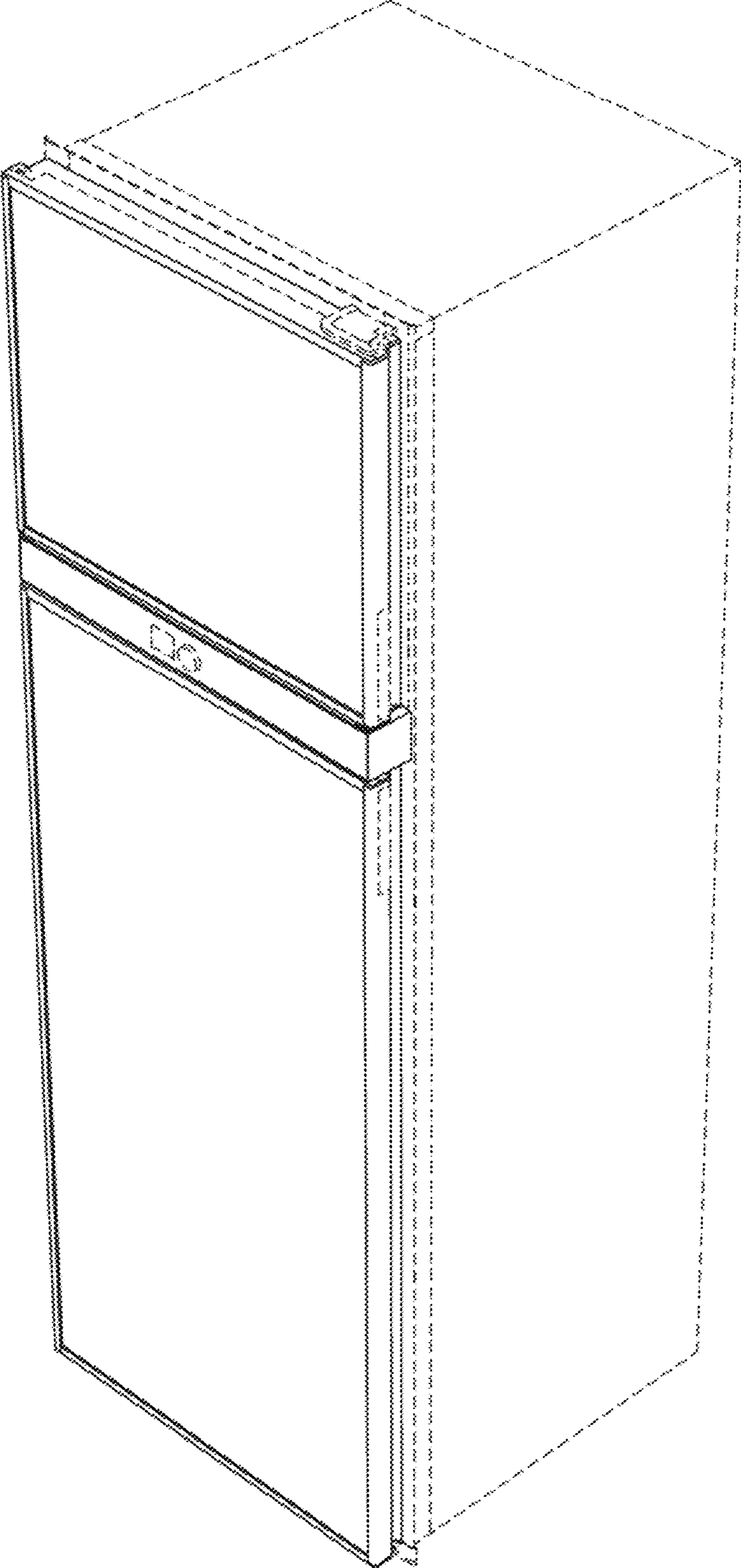


FIG. 2

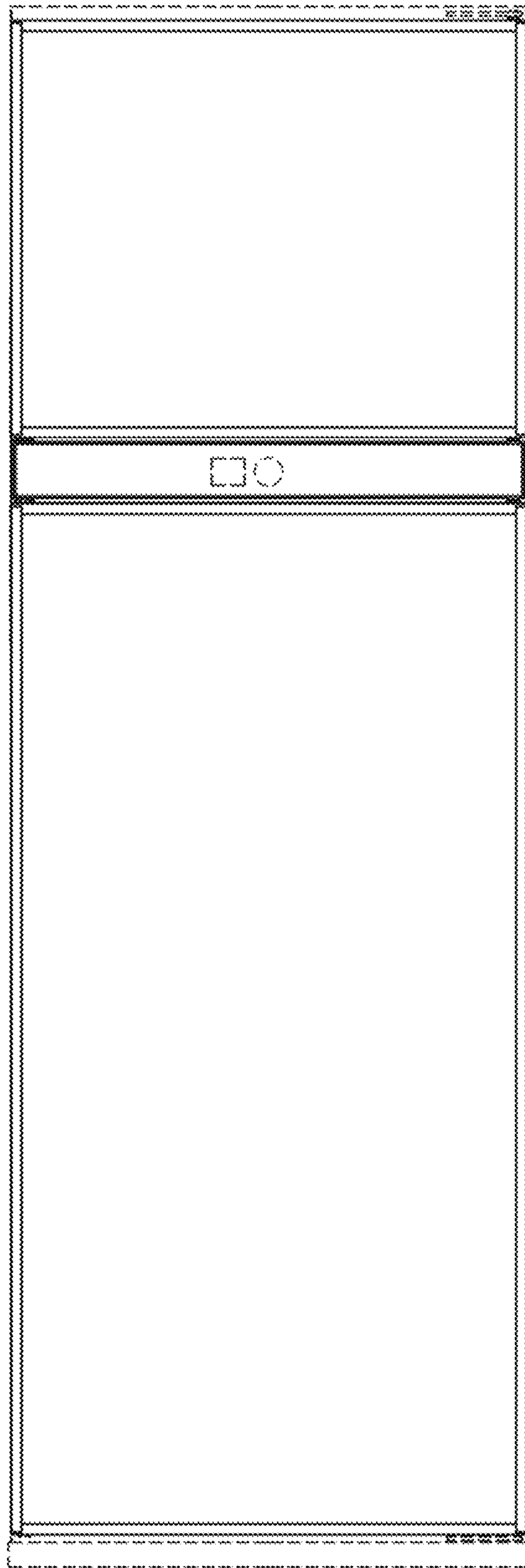


FIG. 3

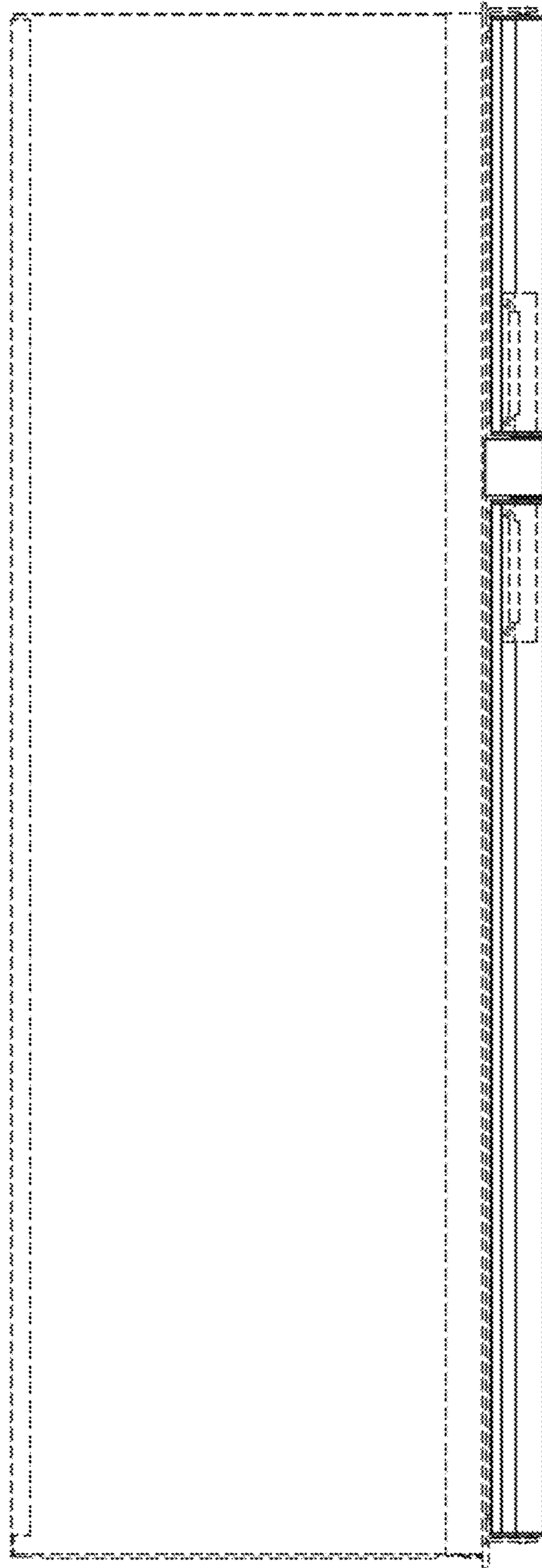


FIG. 4

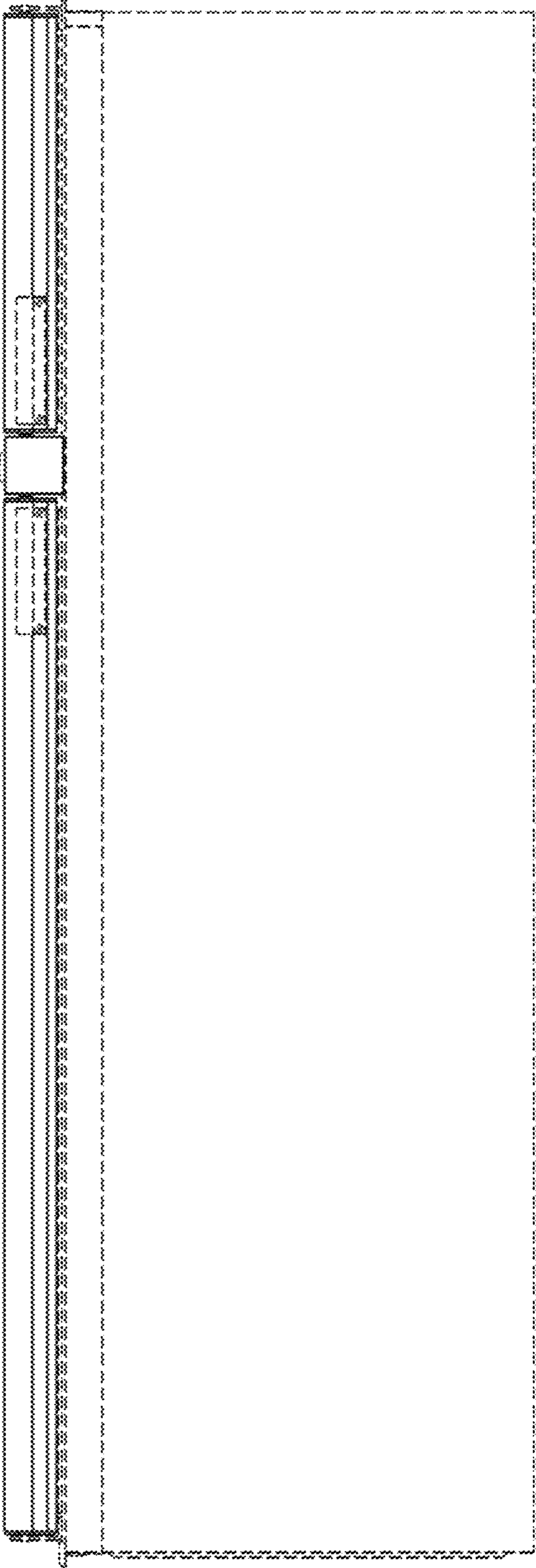


FIG. 5

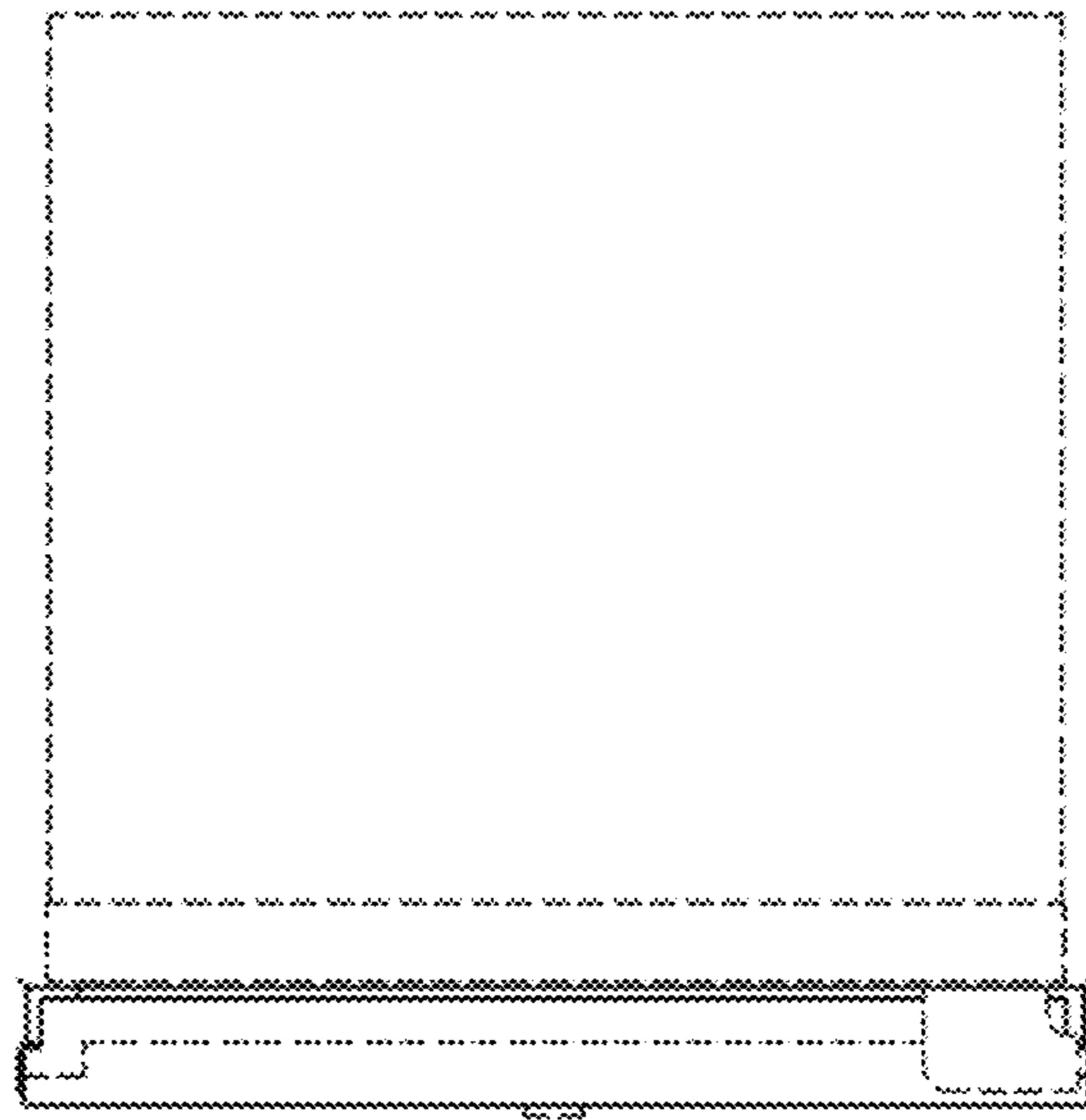


FIG. 6