



US00D887458S

(12) **United States Design Patent**
Adachi et al.

(10) **Patent No.:** **US D887,458 S**
(45) **Date of Patent:** **** Jun. 16, 2020**

(54) **DUCT COVER FOR CONSTRUCTION MACHINE**

(71) Applicant: **KOBELCO CONSTRUCTION MACHINERY CO., LTD.**,
Hiroshima-shi, Hiroshima (JP)

(72) Inventors: **Kaoru Adachi**, Hiroshima (JP); **Keiji Yamamoto**, Hiroshima (JP); **Shintaro Sakitani**, Hiroshima (JP); **Masanori Sakatani**, Hiroshima (JP)

(73) Assignee: **KOBELCO CONSTRUCTION MACHINERY CO., LTD.**,
Hiroshima-Shi (JP)

(**) Term: **15 Years**

(21) Appl. No.: **29/674,995**

(22) Filed: **Dec. 27, 2018**

(30) **Foreign Application Priority Data**

Jul. 10, 2018 (JP) 2018-015168

(51) **LOC (12) Cl.** **15-03**

(52) **U.S. Cl.**
USPC **D15/28; D15/17**

(58) **Field of Classification Search**
USPC D15/10-33; D12/192; 180/69.24, 69.2,
180/69.21, 90, 89.12, 900; 296/70, 30,
296/72, 191, 192, 193.03
CPC B62D 49/00; B60K 37/00; B60K 37/02;
B60K 37/04; B60K 2350/928; B60Y
2200/22
See application file for complete search history.

(56) **References Cited**

U.S. PATENT DOCUMENTS

D313,962 S * 1/1991 Haag D12/421
D420,685 S * 2/2000 Muranen D15/30

D432,491 S * 10/2000 Sacco D12/419
D432,549 S * 10/2000 Surrige D15/17
D433,425 S * 11/2000 Surrige D15/17
D441,769 S * 5/2001 Surrige D12/415
D463,459 S * 9/2002 Tamaru D15/28
D513,415 S * 1/2006 Klein D15/30
D516,097 S * 2/2006 Bergman D15/28
D521,413 S * 5/2006 Katoh D12/1
D532,427 S * 11/2006 Kim D15/28
D549,739 S * 8/2007 Stephens D15/28
D555,676 S * 11/2007 Haubrich D15/28
D593,134 S * 5/2009 Kuwae D15/17
D640,293 S 6/2011 Ono et al.
D667,026 S * 9/2012 Stimel, Jr. D15/28
D682,892 S * 5/2013 Takagi D15/17
D683,369 S * 5/2013 Takagi D15/17
D683,370 S * 5/2013 Takagi D15/17
D685,006 S * 6/2013 Hagura D15/17

(Continued)

Primary Examiner — Mark A Goodwin

(74) *Attorney, Agent, or Firm* — Birch, Stewart, Kolasch & Birch, LLP

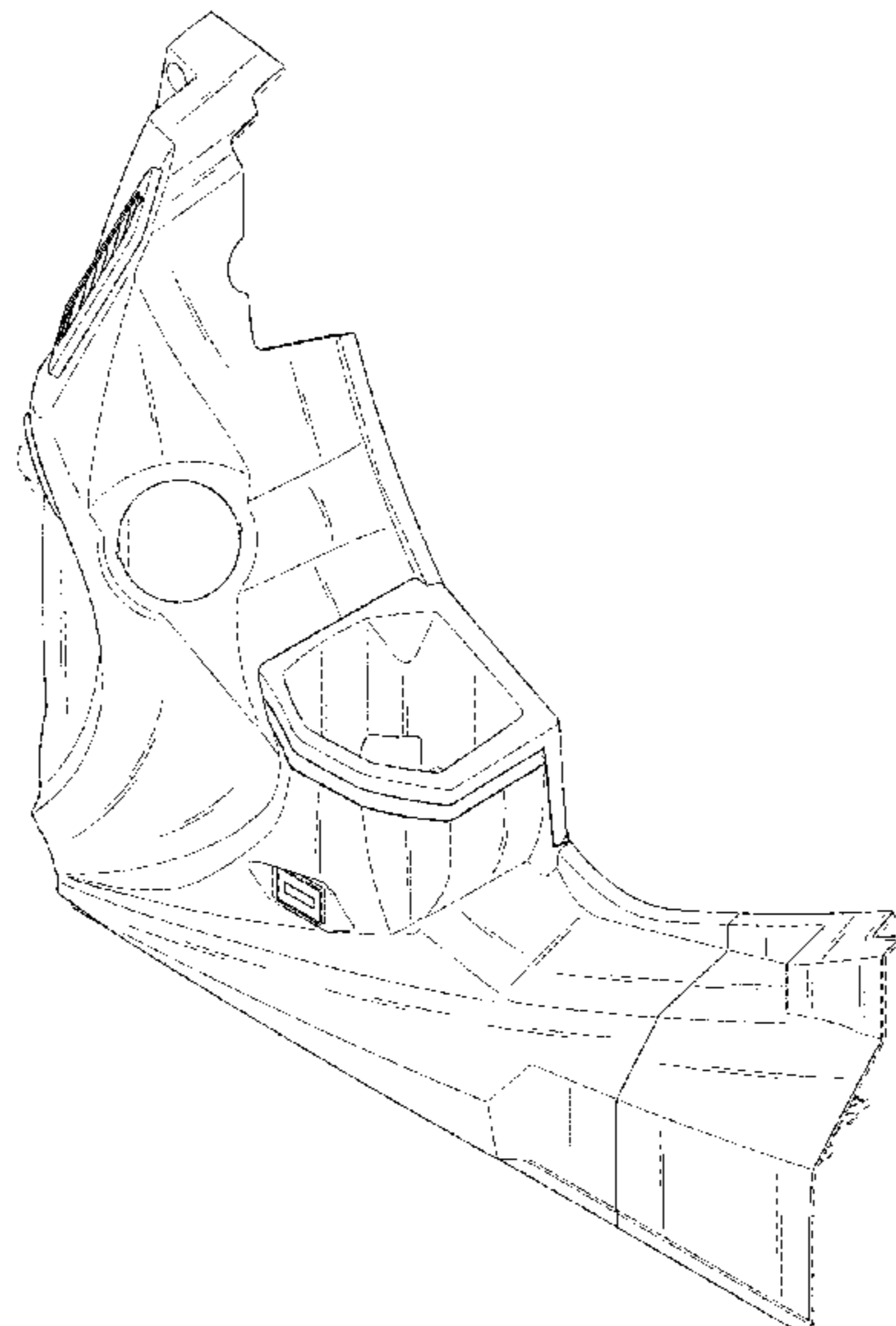
(57) **CLAIM**

The ornamental design for a duct cover for construction machine, as shown and described.

DESCRIPTION

FIG. 1 is a first perspective view of a duct cover for construction machine;
FIG. 2 is a second perspective view thereof;
FIG. 3 is a front view thereof;
FIG. 4 is a rear view thereof;
FIG. 5 is a left side view thereof.
FIG. 6 is a right side view thereof;
FIG. 7 is a top view thereof; and,
FIG. 8 is a bottom view thereof.
The broken lines depict portions of the duct cover for construction machine in which the design is embodied that are not considered part of the claimed design.

1 Claim, 7 Drawing Sheets



(56)

References Cited

U.S. PATENT DOCUMENTS

D687,469 S *	8/2013	Takagi	D15/17
D689,529 S *	9/2013	Hagura	D15/28
D697,534 S *	1/2014	Uchida	D15/17
D718,343 S *	11/2014	Carter	D15/28
D783,686 S *	4/2017	Jilbert	D15/28
D813,916 S *	3/2018	Okuyama	D15/28
D816,729 S *	5/2018	Diebold	D15/28
D816,730 S *	5/2018	Diebold	D15/28
D834,622 S *	11/2018	Fincato	D15/28
D856,379 S *	8/2019	Ninomiya	D15/28
D856,380 S *	8/2019	Ninomiya	D15/28
D856,381 S *	8/2019	Ninomiya	D15/28

* cited by examiner

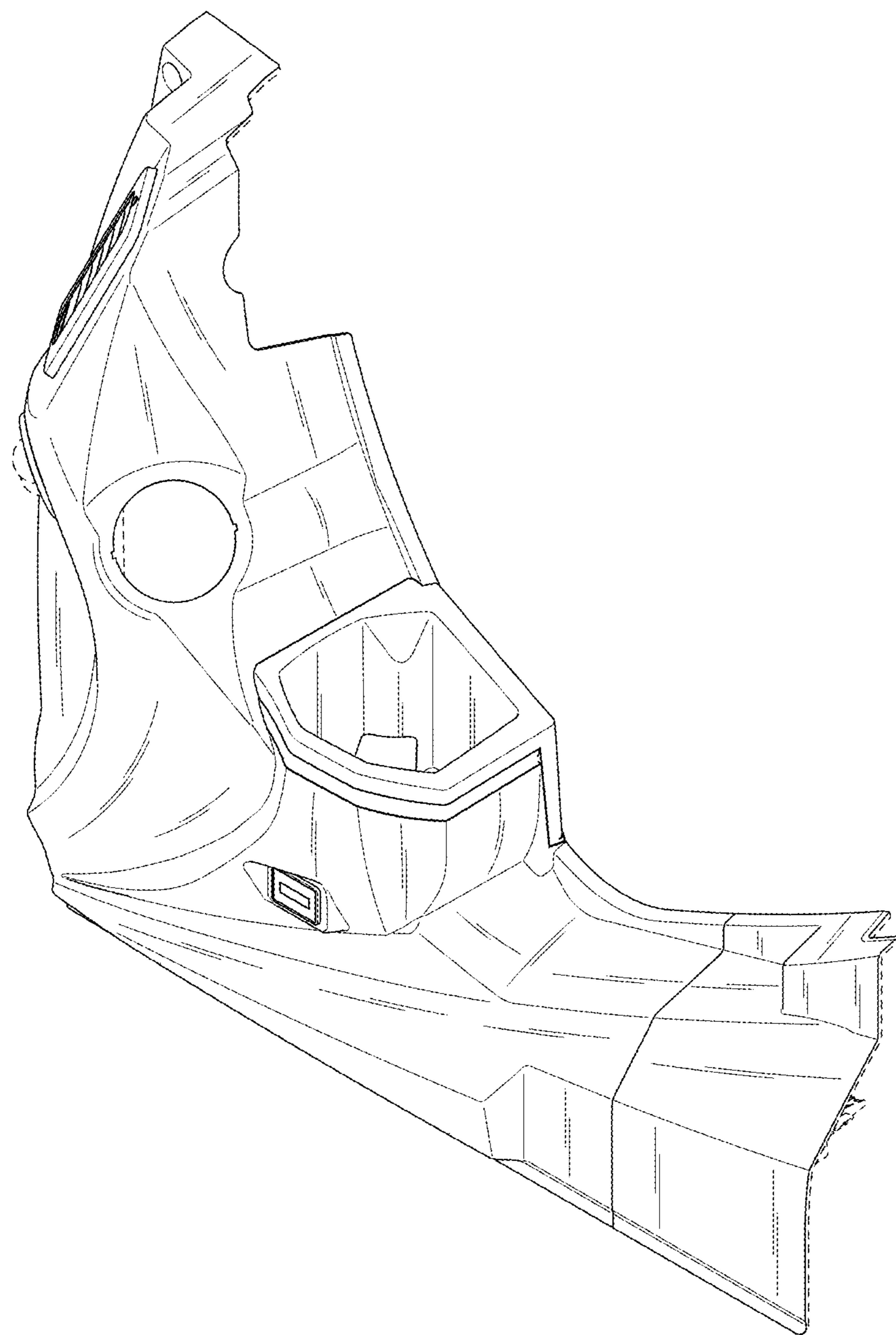


FIG. 1

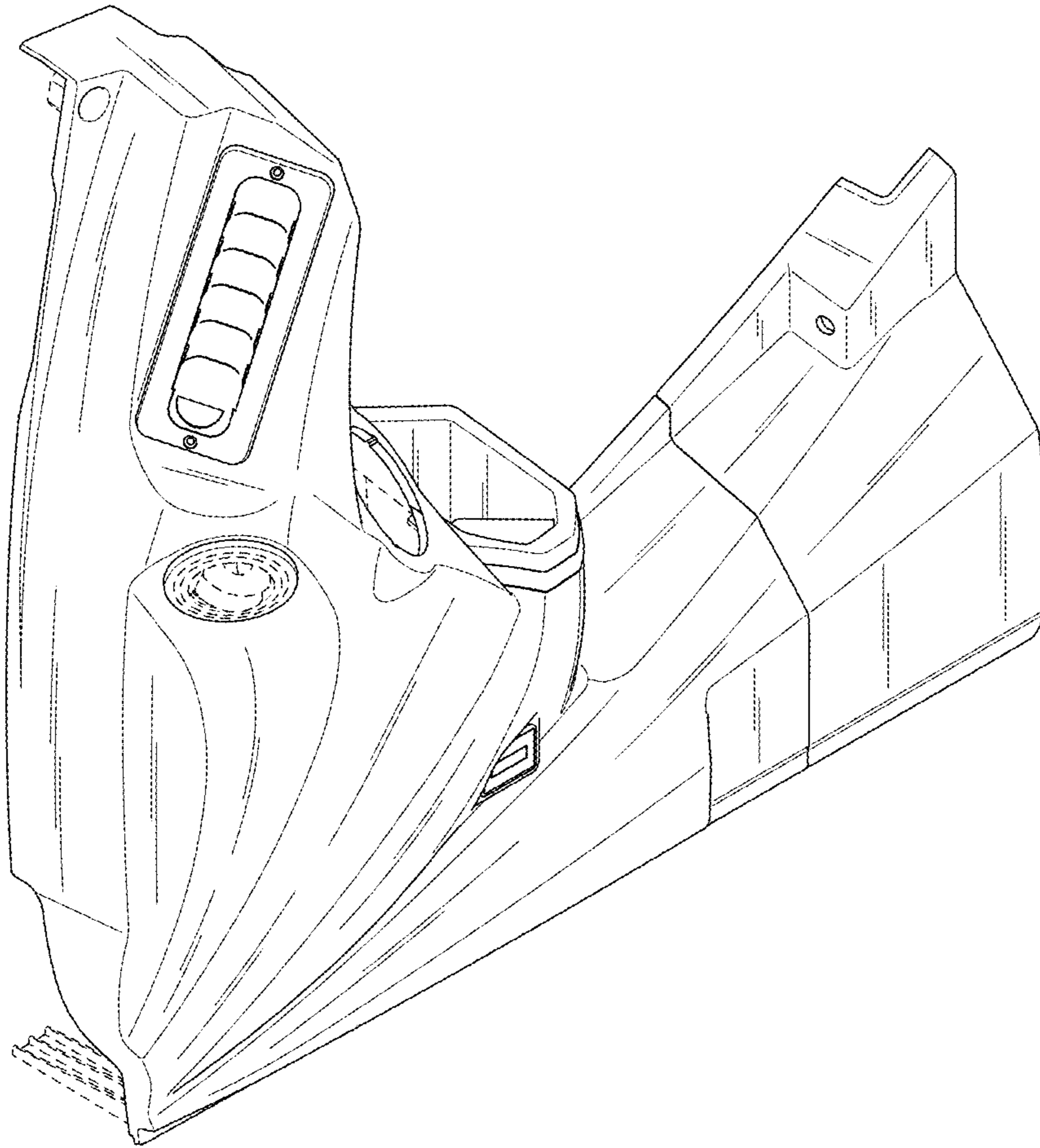


FIG.2

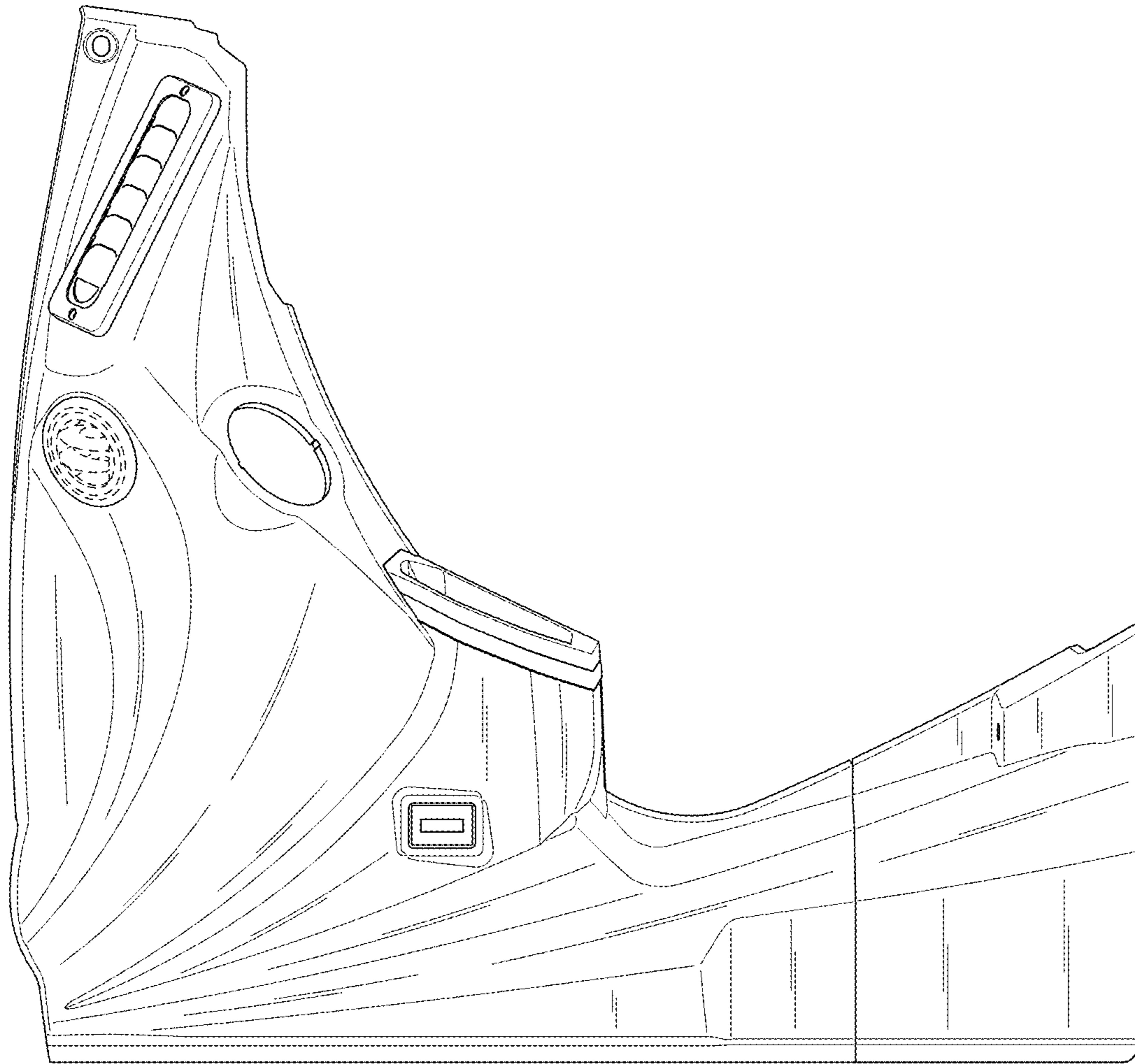


FIG.3

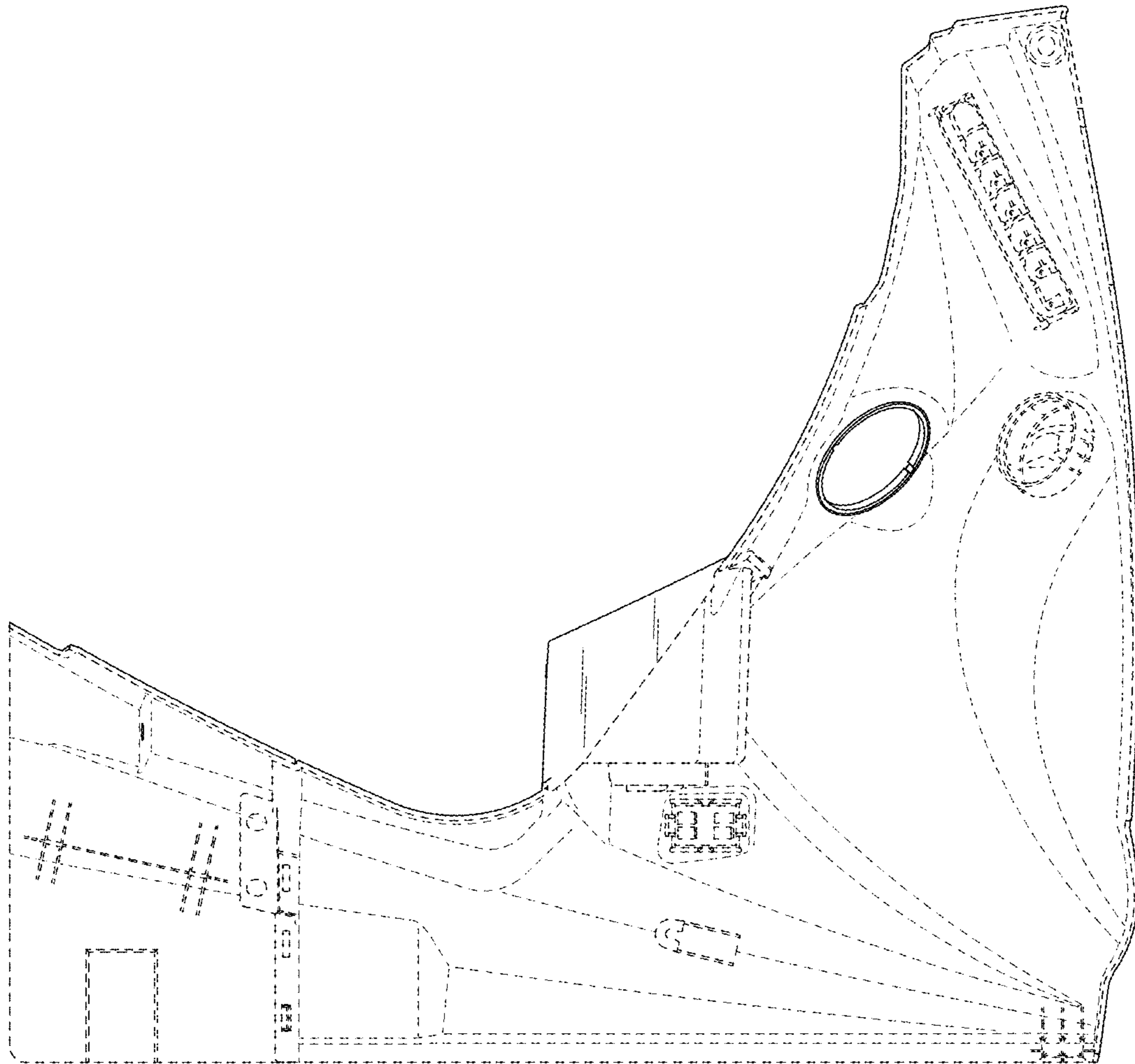


FIG.4

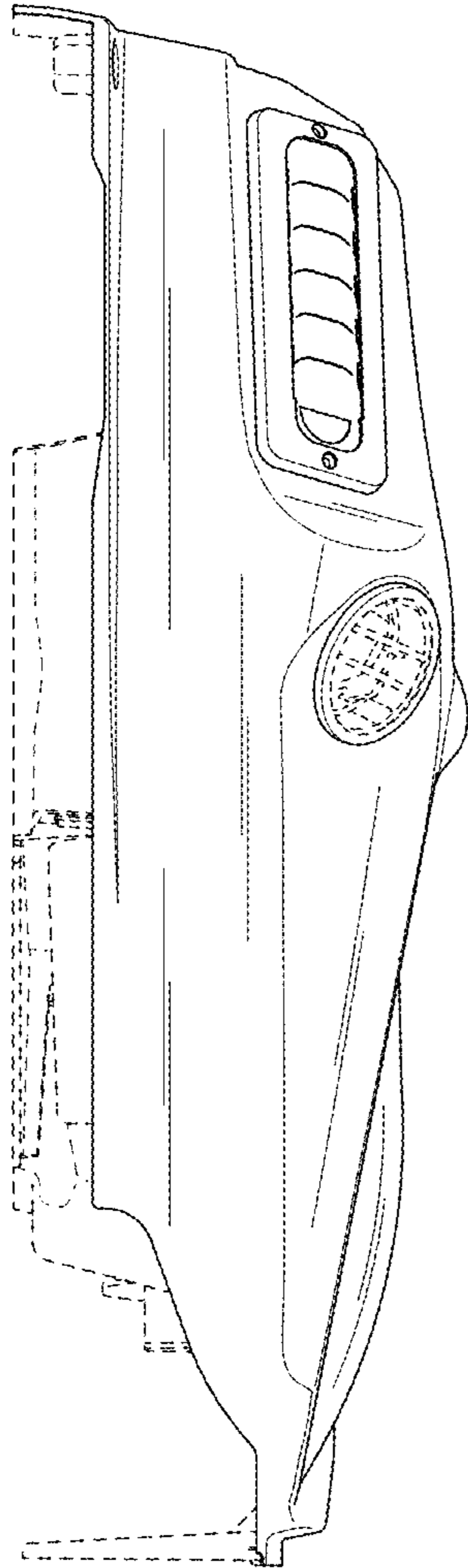


FIG.5

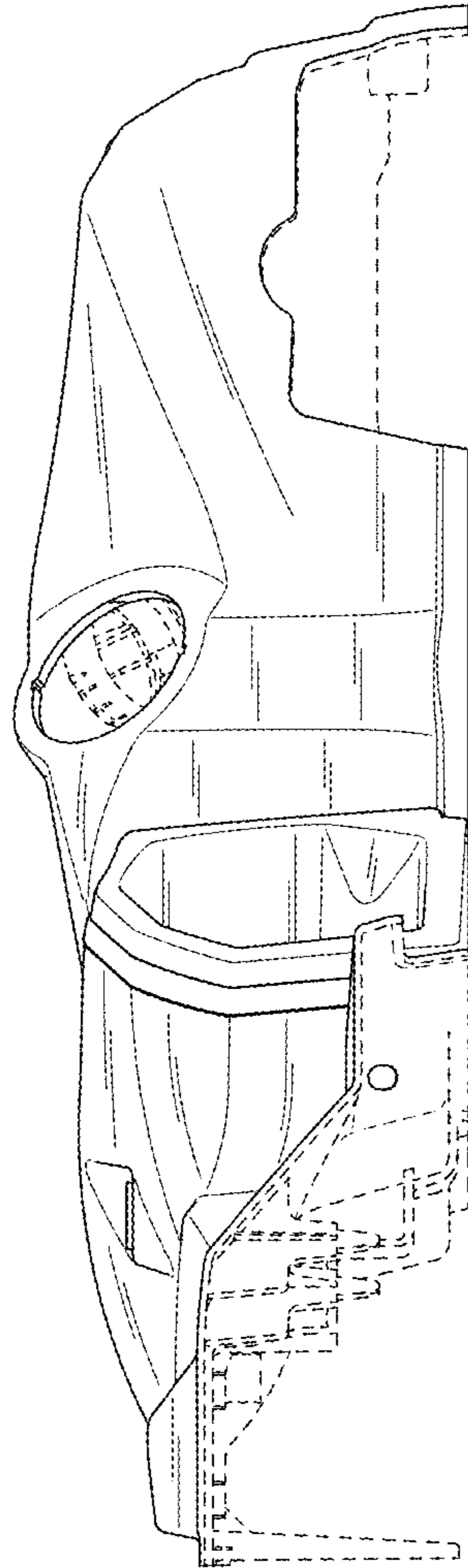


FIG.6

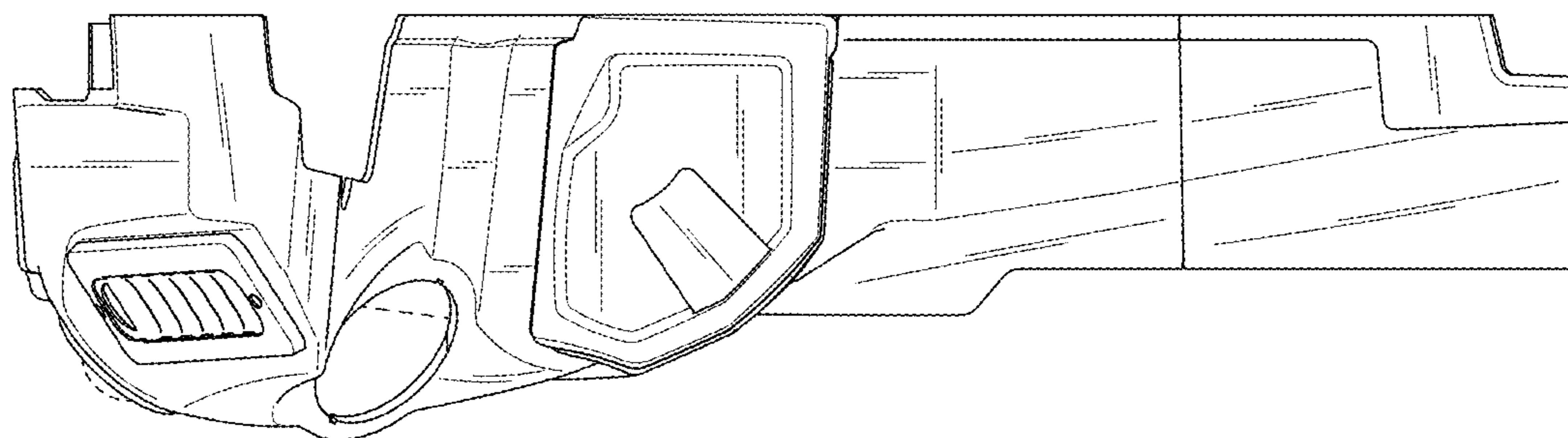


FIG. 7

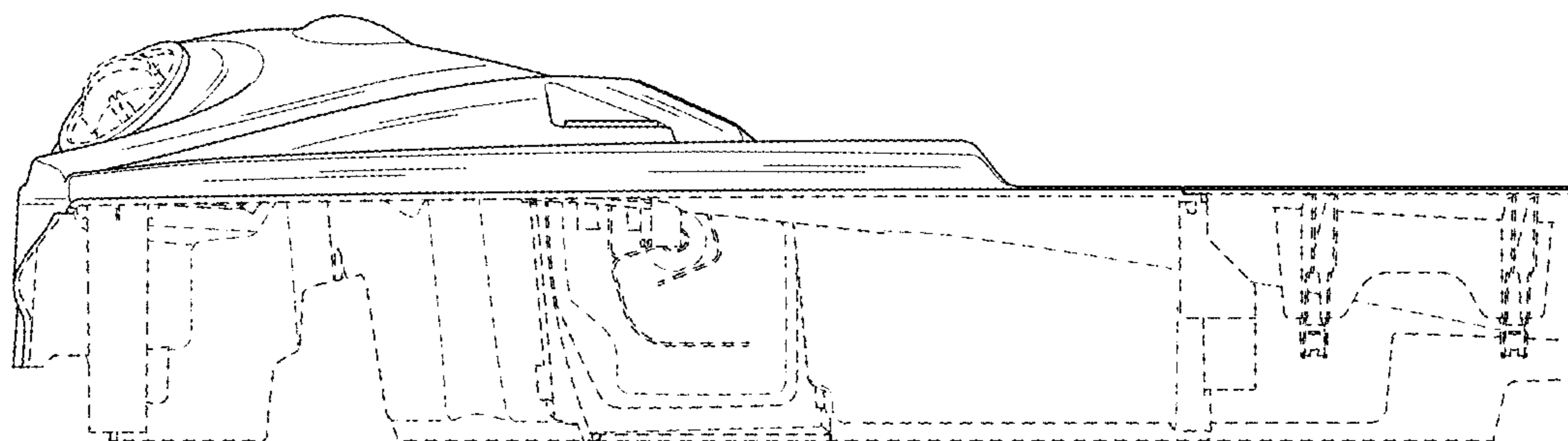


FIG. 8