



US00D887457S

(12) **United States Design Patent** (10) **Patent No.:** **US D887,457 S**
Adachi et al. (45) **Date of Patent:** **** Jun. 16, 2020**

(54) **CONSOLE FOR CONSTRUCTION MACHINE**

(71) Applicant: **KOBELCO CONSTRUCTION MACHINERY CO., LTD.**,
Hiroshima-shi, Hiroshima (JP)

(72) Inventors: **Kaoru Adachi**, Hiroshima (JP);
Masanori Sakatani, Hiroshima (JP);
Shintaro Sakitani, Hiroshima (JP);
Keiji Yamamoto, Hiroshima (JP)

(73) Assignee: **KOBELCO CONSTRUCTION MACHINERY CO., LTD.**,
Hiroshima-Shi (JP)

(**) Term: **15 Years**

(21) Appl. No.: **29/674,927**

(22) Filed: **Dec. 27, 2018**

(30) **Foreign Application Priority Data**

Jul. 10, 2018 (JP) 2018-015169

(51) **LOC (12) Cl.** **15-03**

(52) **U.S. Cl.**
USPC **D15/28; D15/17**

(58) **Field of Classification Search**
USPC D15/10-33; D12/192; 180/69.24, 69.2,
180/69.21, 90, 89.12, 900; 296/70, 30,
296/72, 191, 192, 193.03
CPC B62D 49/00; B60K 37/00; B60K 37/02;
B60K 37/04; B60K 2350/928; B60Y
2200/22

See application file for complete search history.

(56) **References Cited**

U.S. PATENT DOCUMENTS

D313,962 S * 1/1991 Haag D12/421
D420,685 S * 2/2000 Muranen D15/30
D432,491 S * 10/2000 Sacco D12/419

D432,549 S * 10/2000 Surridge D15/17
D433,425 S * 11/2000 Surridge D15/17
D441,769 S * 5/2001 Surridge D12/415
D463,459 S * 9/2002 Tamaru D15/28
D513,415 S * 1/2006 Klein D15/30
D516,097 S * 2/2006 Bergman D15/28
D521,413 S * 5/2006 Katoh D12/1
D532,427 S * 11/2006 Kim D15/28
D549,739 S * 8/2007 Stephens D15/28
D555,676 S * 11/2007 Haubrich D15/28
D593,134 S * 5/2009 Kuwae D15/17
D667,026 S * 9/2012 Stimel, Jr. D15/28
D682,892 S * 5/2013 Takagi D15/17
D683,369 S * 5/2013 Takagi D15/17

(Continued)

FOREIGN PATENT DOCUMENTS

JP 1383187 S 3/2013

Primary Examiner — Mark A Goodwin

(74) *Attorney, Agent, or Firm* — Birch, Stewart, Kolasch & Birch, LLP

(57) **CLAIM**

The ornamental design for a console for construction machine, as shown and described.

DESCRIPTION

FIG. 1 is a first perspective view of a console for construction machine;

FIG. 2 is a second perspective view thereof;

FIG. 3 is a front view thereof;

FIG. 4 is a rear view thereof;

FIG. 5 is a left side view thereof;

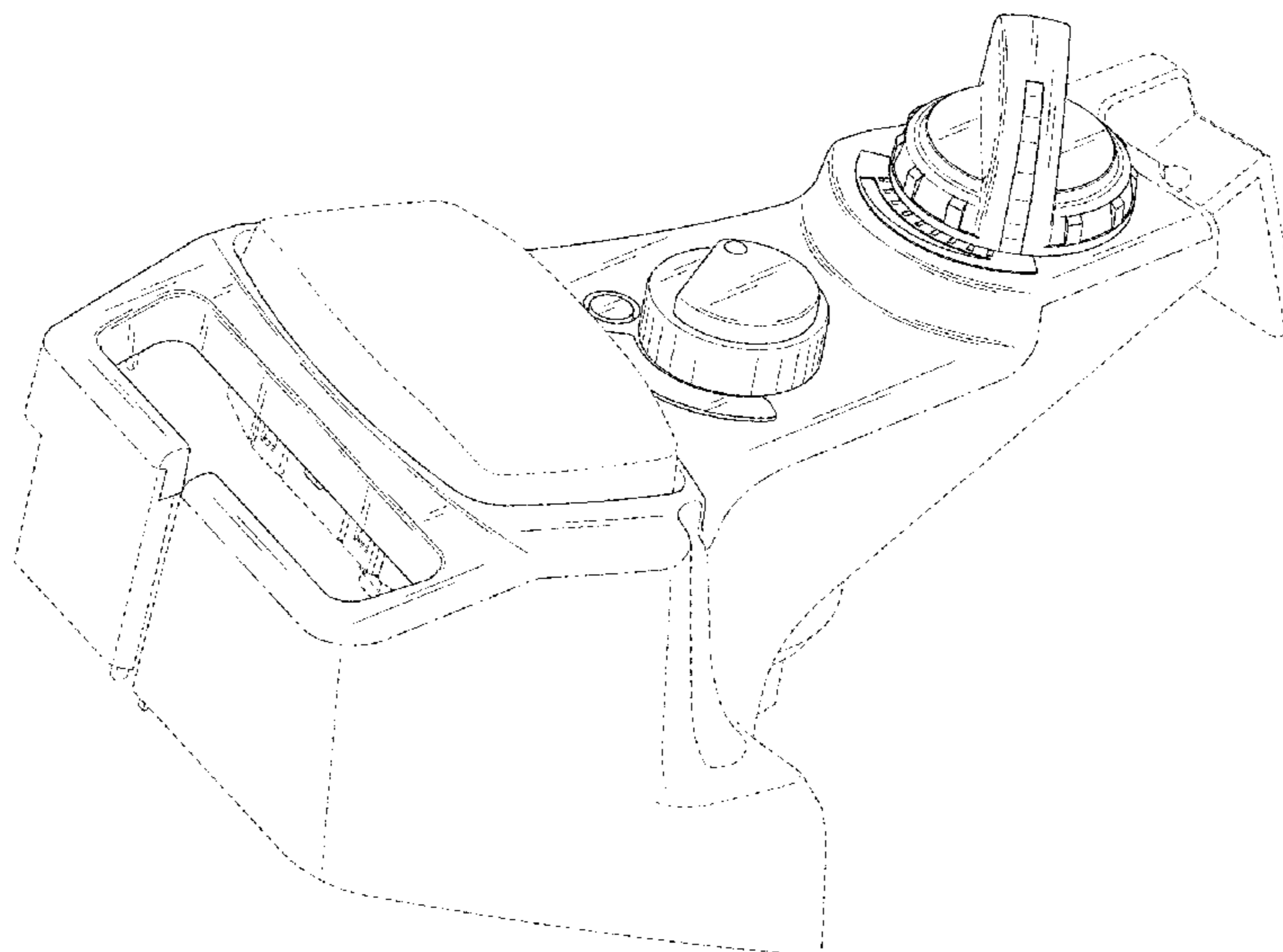
FIG. 6 is a right side view thereof; and,

FIG. 7 is a top view thereof.

The broken lines depict portions of the console for construction machine in which the design is embodied that are not considered part of the claimed design.

The dashed lines show a boundary between the claimed design and unclaimed portions.

1 Claim, 7 Drawing Sheets



(56)

References Cited

U.S. PATENT DOCUMENTS

D683,370	S	*	5/2013	Takagi	D15/17
D685,006	S	*	6/2013	Hagura	D15/17
D687,469	S	*	8/2013	Takagi	D15/17
D689,529	S	*	9/2013	Hagura	D15/28
D697,534	S	*	1/2014	Uchida	D15/17
D718,343	S	*	11/2014	Carter	D15/28
D783,686	S	*	4/2017	Jilbert	D15/28
D813,916	S	*	3/2018	Okuyama	D15/28
D816,729	S	*	5/2018	Diebold	D15/28
D816,730	S	*	5/2018	Diebold	D15/28
D834,622	S	*	11/2018	Fincato	D15/28
D856,379	S	*	8/2019	Ninomiya	D15/28
D856,380	S	*	8/2019	Ninomiya	D15/28
D856,381	S	*	8/2019	Ninomiya	D15/28

* cited by examiner

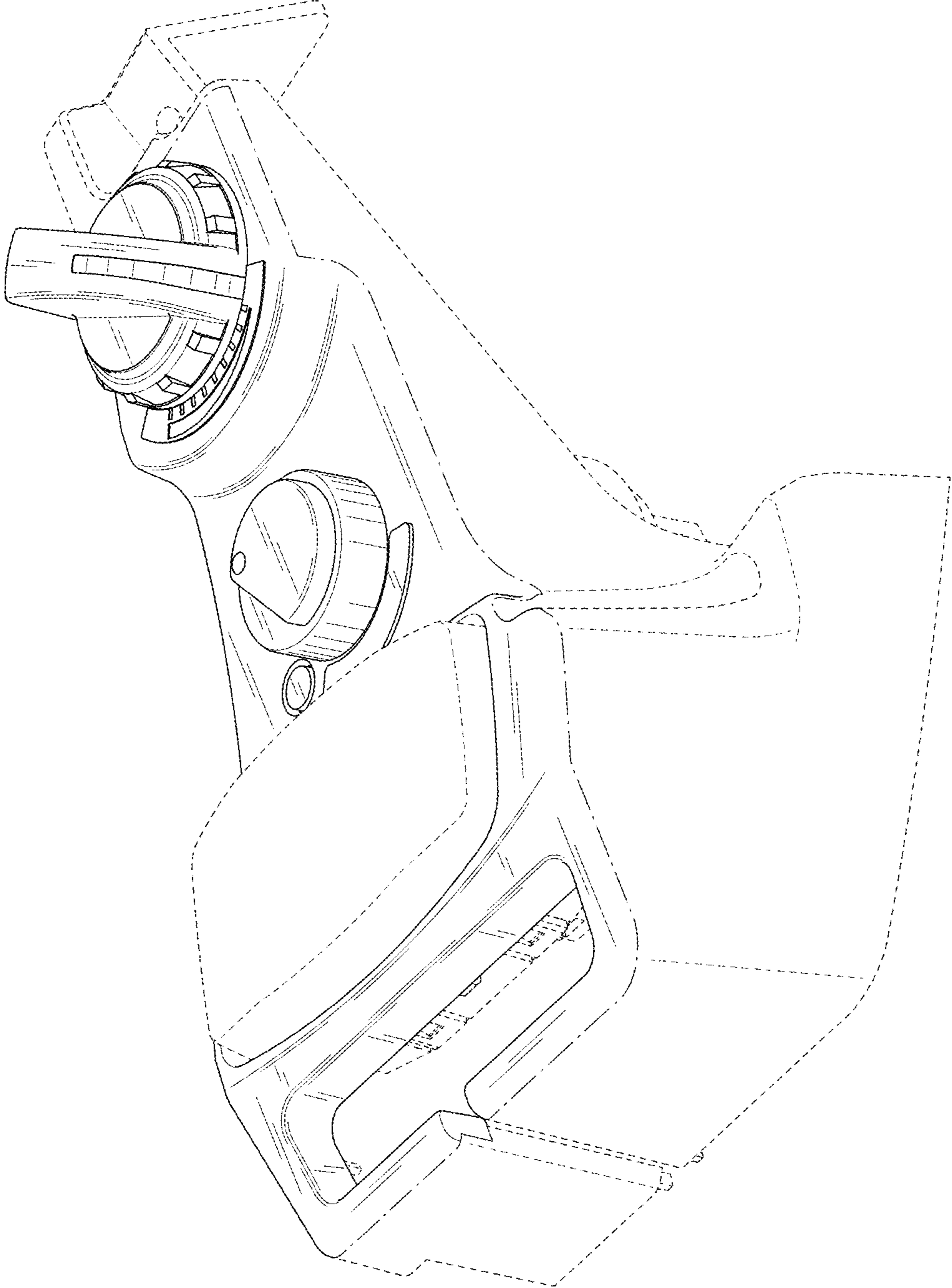


FIG.1

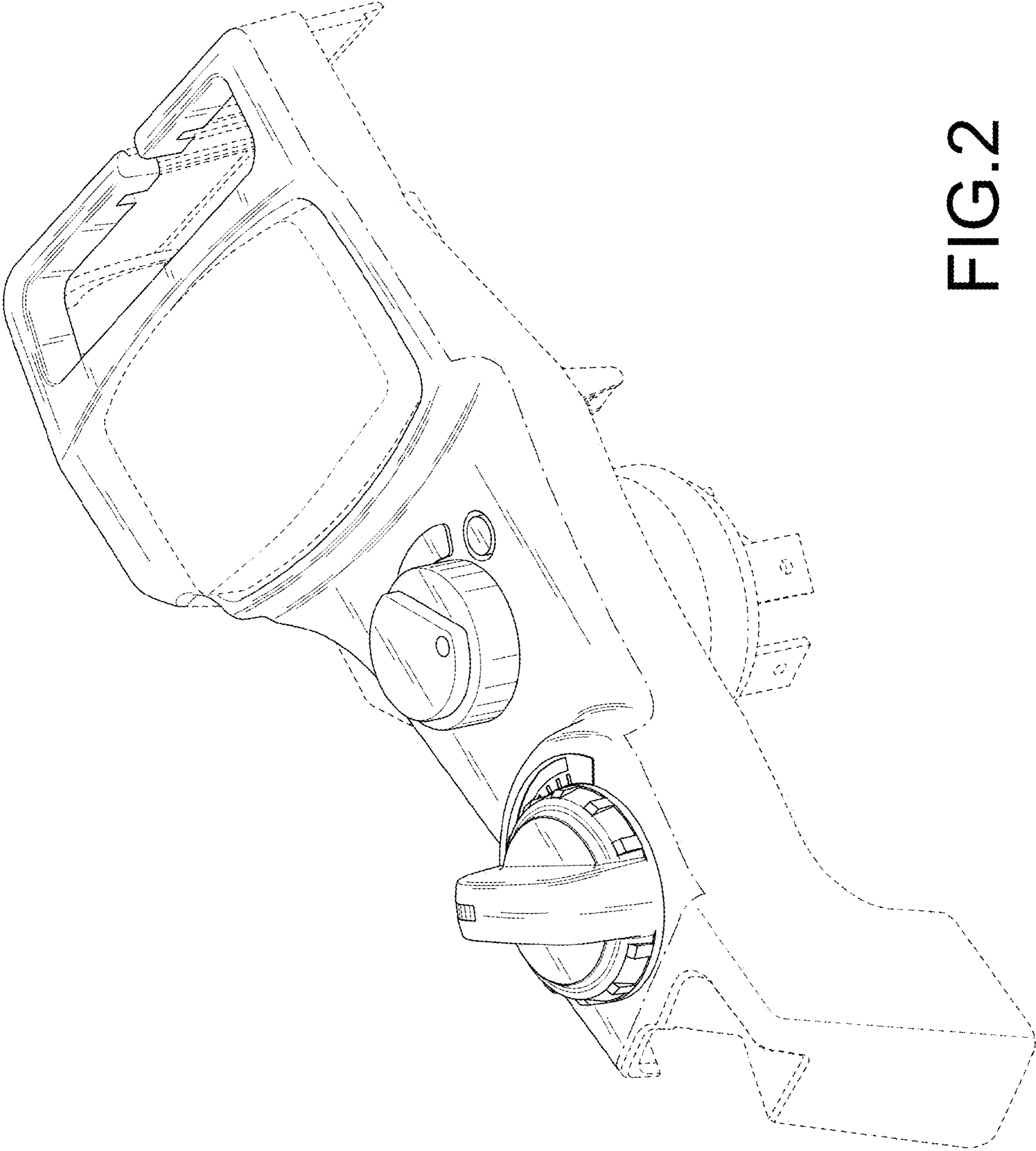


FIG.2

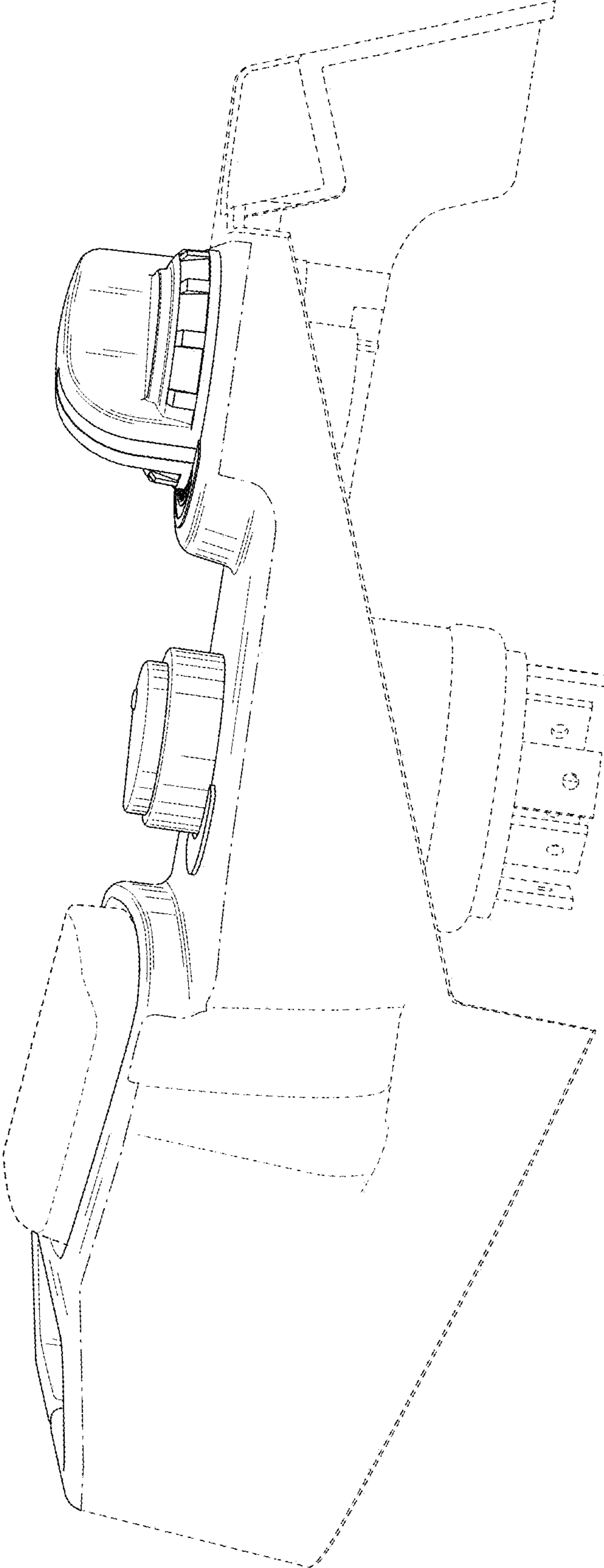


FIG.3

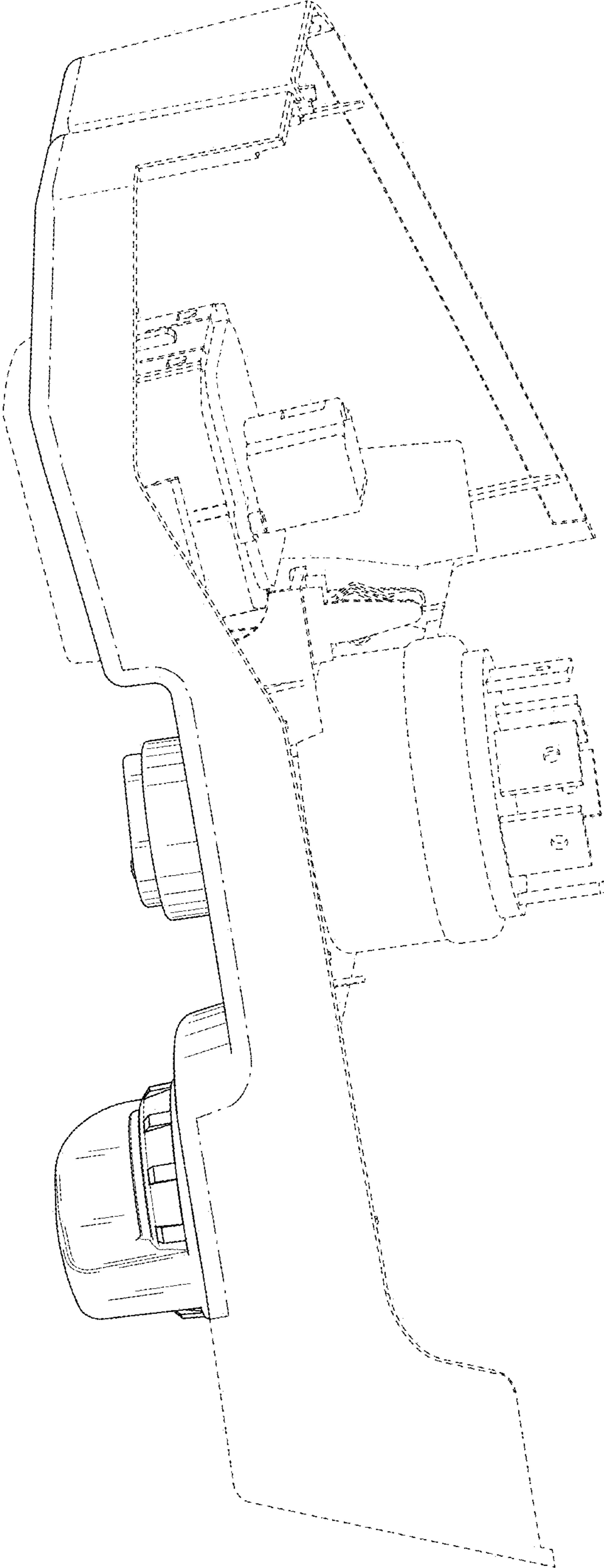


FIG.4

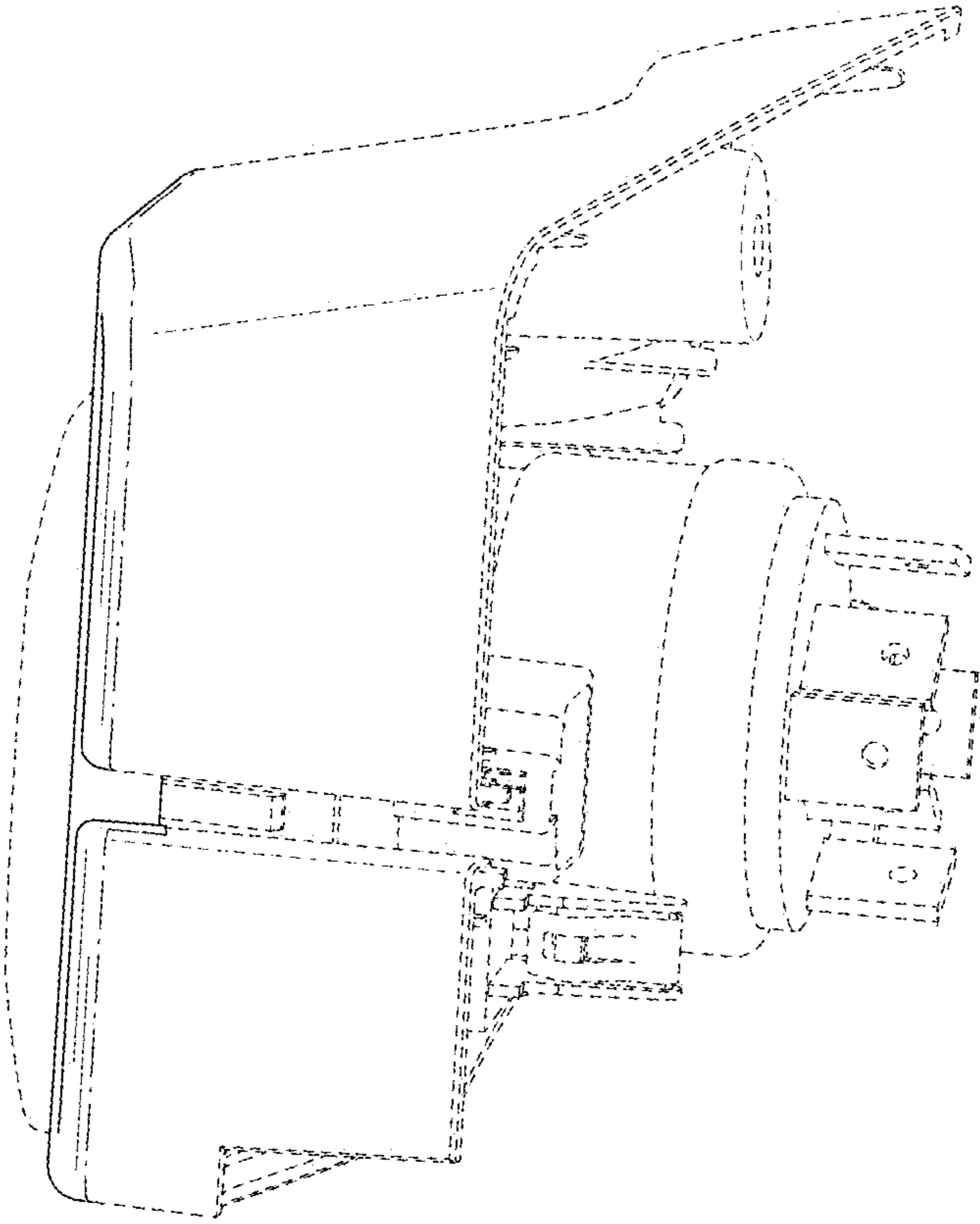


FIG.5

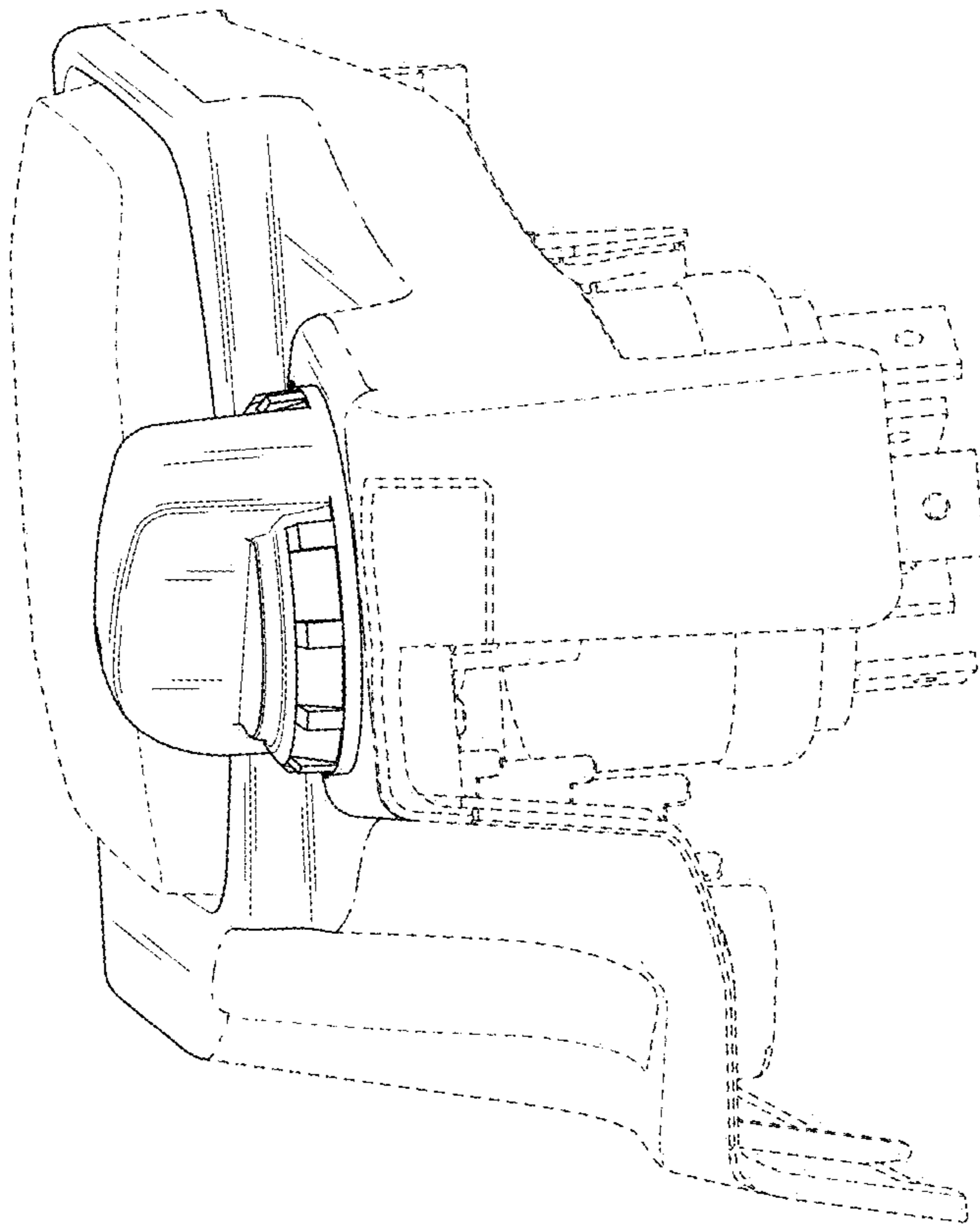


FIG.6

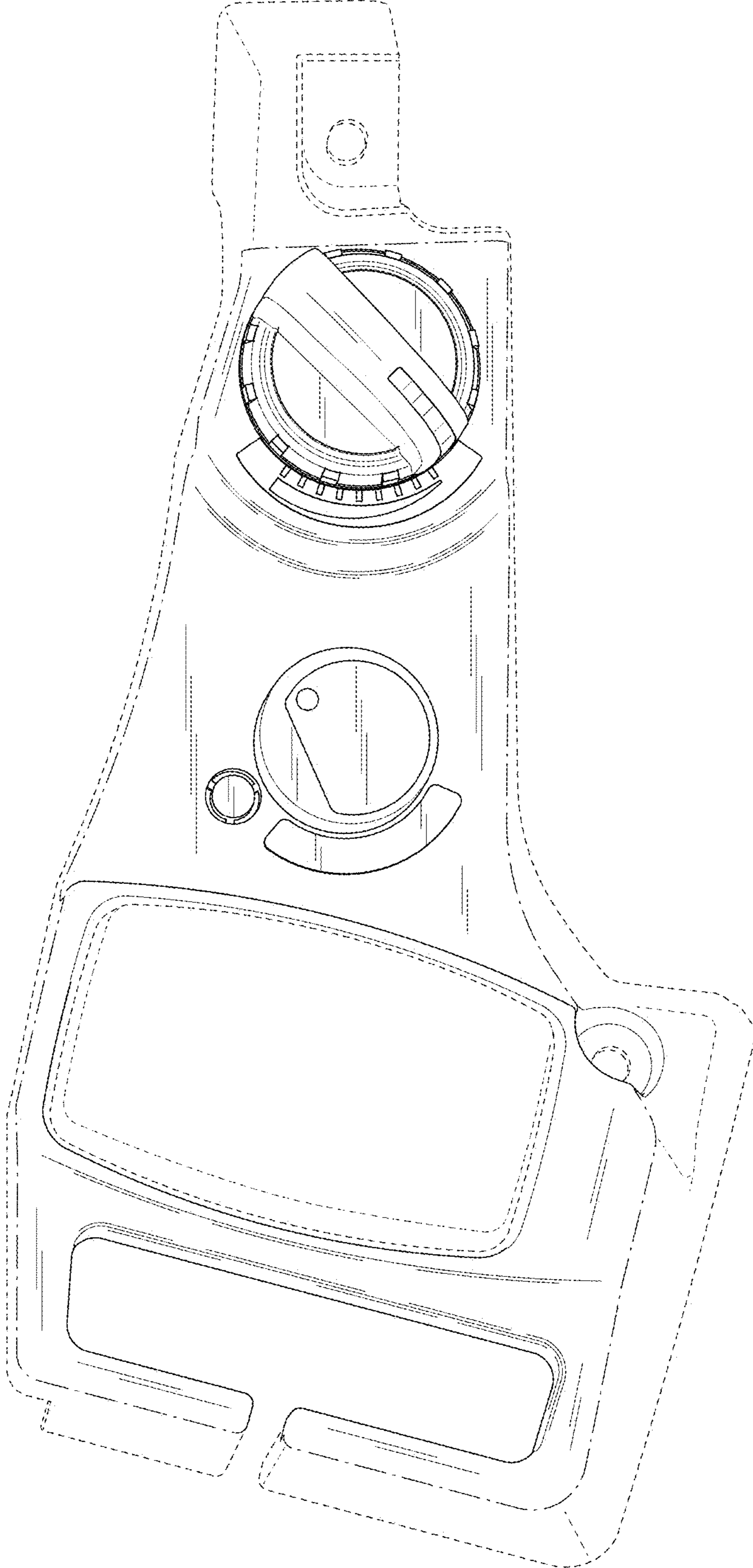


FIG.7