



US00D887455S

(12) **United States Design Patent**
Erdman

(10) **Patent No.:** **US D887,455 S**
(45) **Date of Patent:** **** Jun. 16, 2020**

(54) **IRRIGATION WHEEL DESIGN**

(71) Applicant: **Travis Erdman**, Lyman, NE (US)

(72) Inventor: **Travis Erdman**, Lyman, NE (US)

(**) Term: **15 Years**

(21) Appl. No.: **29/585,013**

(22) Filed: **Nov. 18, 2016**

(51) **LOC (12) Cl.** **15-03**

(52) **U.S. Cl.**
USPC **D15/28**

(58) **Field of Classification Search**
USPC D15/28, 29, 20, 21, 27, 11, 17, 19;
172/21, 174, 176, 177, 240, 322, 452,
172/518, 540, 542, 548, 556, 118-122
CPC E01C 19/268; E01C 19/43; E02D 3/00;
E02D 3/039; E02D 3/032; E02D 3/026;
E02D 17/20; B60R 1/00; B60R 2300/80;
A01B 29/045; A01G 25/092; B60B
15/00; B60B 2360/10; B60B 2900/325;
B60B 2900/351; B60Y 2200/224; B60C
7/06; B60C 7/08

See application file for complete search history.

2,741,968 A * 4/1956 Harris A01B 1/243
172/21
3,071,050 A * 1/1963 Shatto E02D 3/026
172/554
3,318,211 A * 5/1967 Grace E02D 3/026
404/124
3,687,023 A * 8/1972 Moser A01B 29/045
172/52
3,823,983 A * 7/1974 Peterson E02D 3/026
301/43
3,832,079 A * 8/1974 Moorhead B44B 5/0009
404/124
3,989,404 A * 11/1976 Burton E01C 19/266
404/128

(Continued)

OTHER PUBLICATIONS

Notice of Allowance, U.S. Appl. No. 15/356,044, title, "Robust Center Pivot Irrigation Wheels Systems and Methods," dated Dec. 20, 2018, 7 pages.

(Continued)

Primary Examiner — Mark A Goodwin
(74) *Attorney, Agent, or Firm* — Santangelo Law Offices, P.C.

(57) **CLAIM**

The ornamental design for an irrigation wheel design, as shown and described.

DESCRIPTION

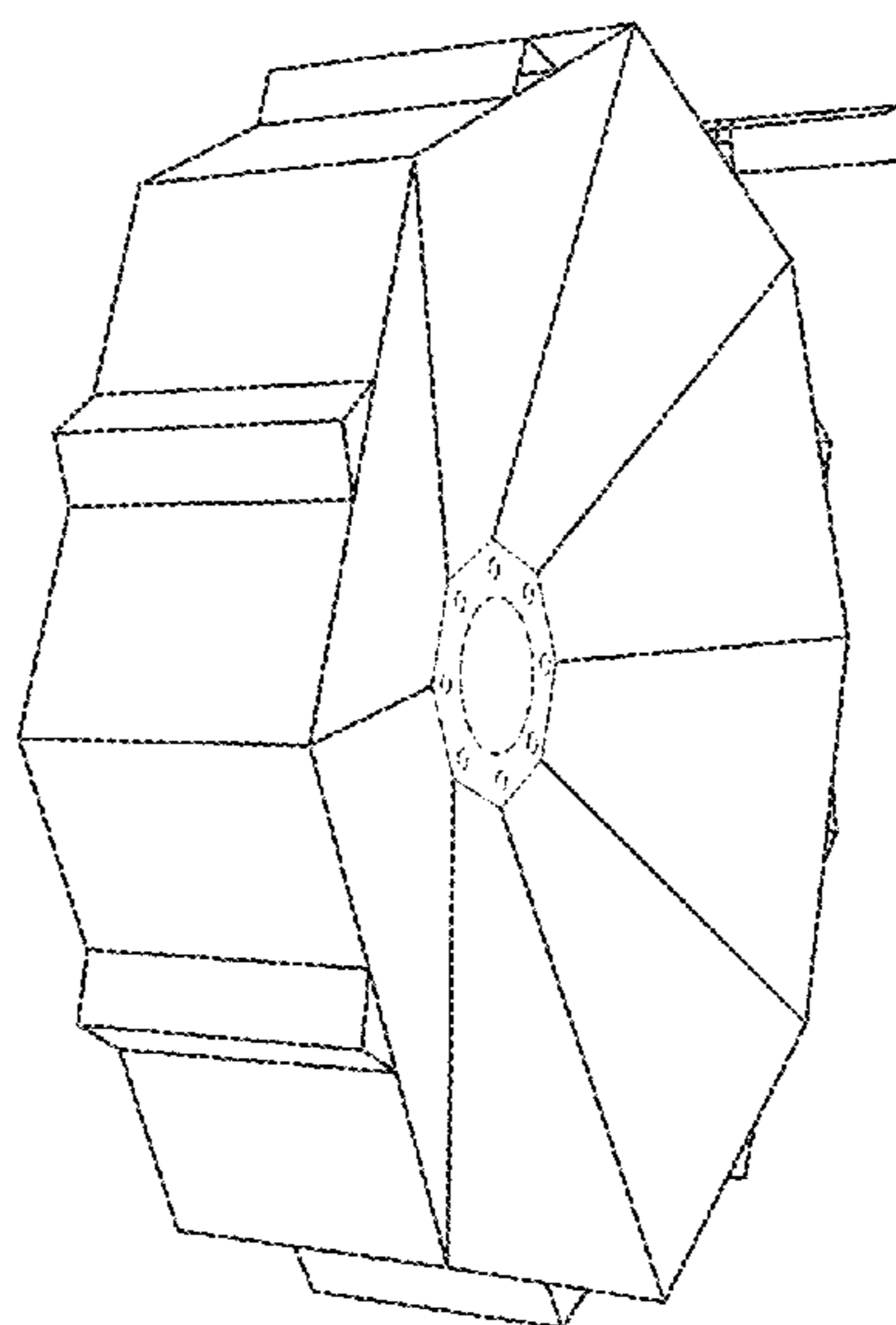
FIG. 1 is a front view of an irrigation wheel showing our new design;
FIG. 2 is a back view thereof
FIG. 3 is a side view thereof
FIG. 4 is an opposite side view of FIG. 3 thereof
FIG. 5 is a perspective view thereof; and,
FIG. 6 is an opposite perspective view of FIG. 5 thereof.
The broken lines are for illustrative purposes only and form no part of the claimed design.

1 Claim, 3 Drawing Sheets

(56) **References Cited**

U.S. PATENT DOCUMENTS

365,773 A * 7/1887 Bailey E01C 19/26
404/122
546,194 A * 9/1895 Shaw E01C 19/27
404/132
557,006 A * 3/1896 Miller A01B 39/04
172/431
1,052,643 A * 2/1913 Baechle E01C 19/27
404/132
1,099,185 A * 6/1914 Loveland E01C 19/236
404/124
1,284,385 A 11/1918 Linden
1,387,225 A 8/1921 Allen



(56)

References Cited

U.S. PATENT DOCUMENTS

4,090,570 A *	5/1978	Alexander	A01G 23/093	7,080,955 B2 *	7/2006	Gregg	E01C 19/238
				172/116					404/122
4,193,457 A *	3/1980	Sphar	A01B 29/045	7,347,645 B2 *	3/2008	Gregg	E01C 19/238
				172/464					404/122
4,195,695 A *	4/1980	Dixon	A01B 29/045	7,410,323 B1 *	8/2008	Roth	E01C 19/235
				172/1					404/132
4,523,873 A *	6/1985	Elliot	E01C 19/238	7,562,517 B1 *	7/2009	Kornecki	A01B 13/02
				172/554					172/554
4,775,262 A *	10/1988	Guntharp	E01C 19/236	7,775,610 B2	8/2010	Mettenbrink		
				404/103	8,657,215 B1	2/2014	Blum		
4,964,753 A *	10/1990	Ciminelli	E02D 3/026	10,214,865 B2 *	2/2019	Meier	E02D 3/046
				404/117	10,272,717 B1	4/2019	Erdman		
5,033,906 A *	7/1991	Jordan	B44B 5/0009	2005/0051041 A1 *	3/2005	Gregg	E01C 19/238
				404/124					101/110
5,046,785 A	9/1991	Bockerman			2006/0239776 A1 *	10/2006	Thompson	E02D 3/039
5,114,269 A *	5/1992	Shepherd	E01C 19/236					404/124
				404/122	2006/0257208 A1 *	11/2006	Gregg	E01C 19/238
5,228,799 A *	7/1993	Sondreal	E01C 19/43					404/124
				404/124	2007/0086861 A1 *	4/2007	Pratt	E01C 19/268
5,421,670 A *	6/1995	Meirick	E01C 19/43					404/124
				404/124	2007/0240888 A1 *	10/2007	Wright	A01B 29/041
5,451,001 A	9/1995	Kumm							172/21
5,511,901 A *	4/1996	Yates	E01C 19/236	2008/0267719 A1 *	10/2008	Corcoran	E01C 19/266
				404/124					405/271
5,725,057 A *	3/1998	Taylor	A01B 29/04	2010/0135724 A1 *	6/2010	Roth	E01C 19/235
				172/121					404/124
5,791,815 A *	8/1998	Rowe	E01C 19/285	2011/0121090 A1	5/2011	Price		
				404/103	2013/0306338 A1 *	11/2013	Wood, Sr.	E01C 19/268
5,810,452 A	9/1998	Hawthorne et al.							172/548
5,860,764 A *	1/1999	Roberts	E01C 19/236	2014/0301785 A1 *	10/2014	Meier	E01C 19/23
				404/124					404/122
6,379,081 B1 *	4/2002	Barbulescu	A01B 29/04	2016/0047103 A1 *	2/2016	Pratt	E02D 3/026
				404/122					404/121
6,539,697 B2 *	4/2003	Burk	A01D 34/8355	2018/0187381 A1 *	7/2018	Meier	E02D 3/046
				56/504	2019/0055708 A1 *	2/2019	Fox	E02D 3/00
6,719,485 B1 *	4/2004	Roth	E01C 19/235					
				299/39.4					
6,843,615 B1 *	1/2005	Cook	E02D 3/026					
				404/122					
6,968,907 B1 *	11/2005	Raper	A01B 29/045					
				172/518					

OTHER PUBLICATIONS

Non-final Office Action, U.S. Appl. No. 15/356,044, title, "Robust Center Pivot Irrigation Wheels Systems and Methods," dated Aug. 10, 2018, 16 pages.

* cited by examiner

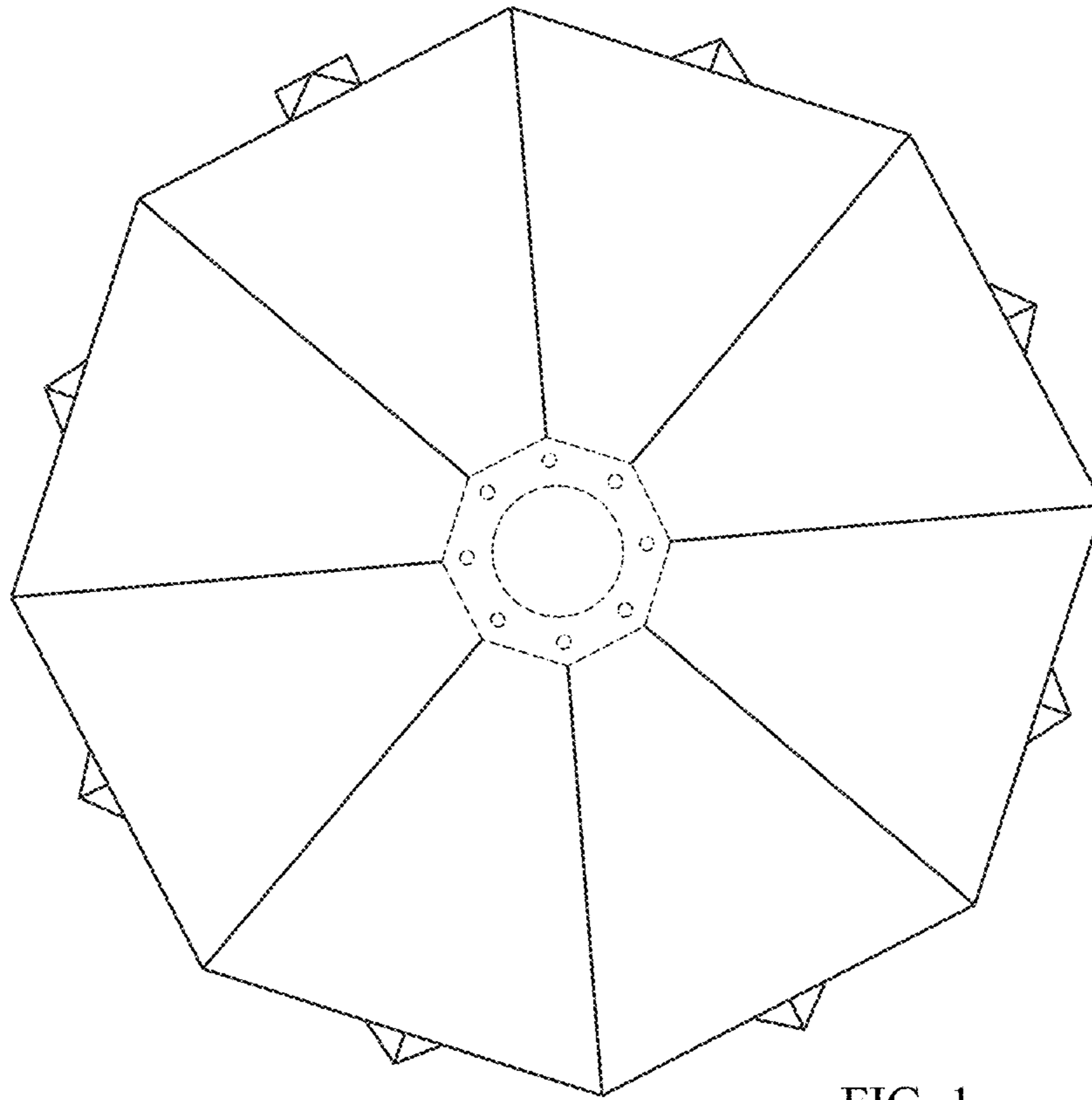


FIG. 1

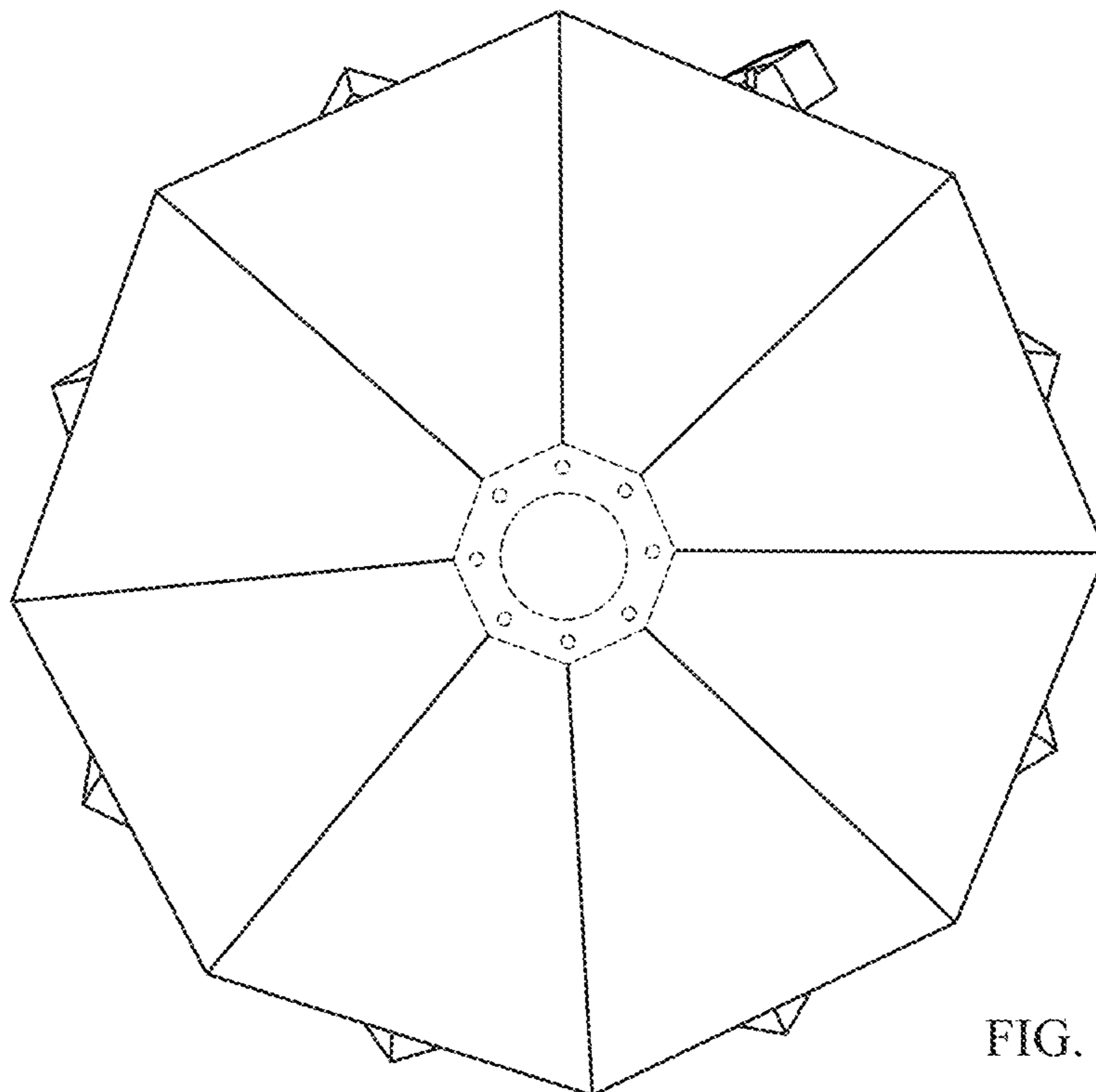


FIG. 2

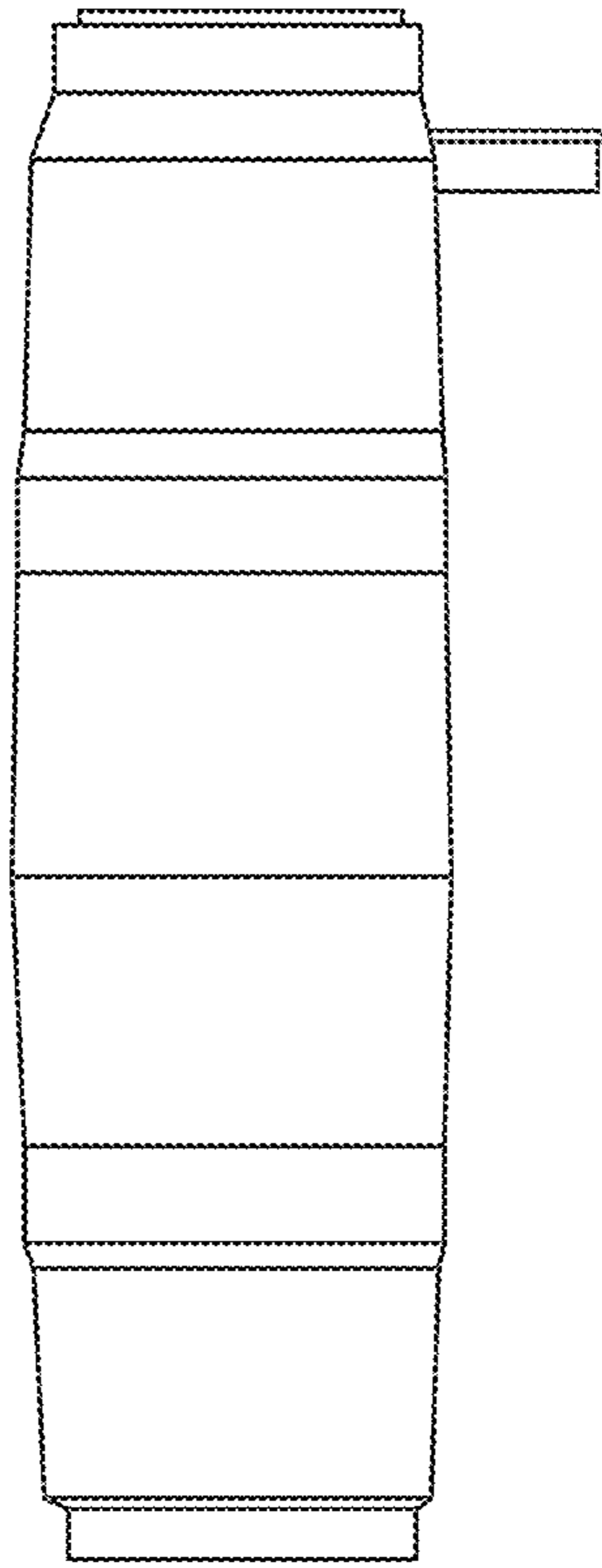


FIG. 3

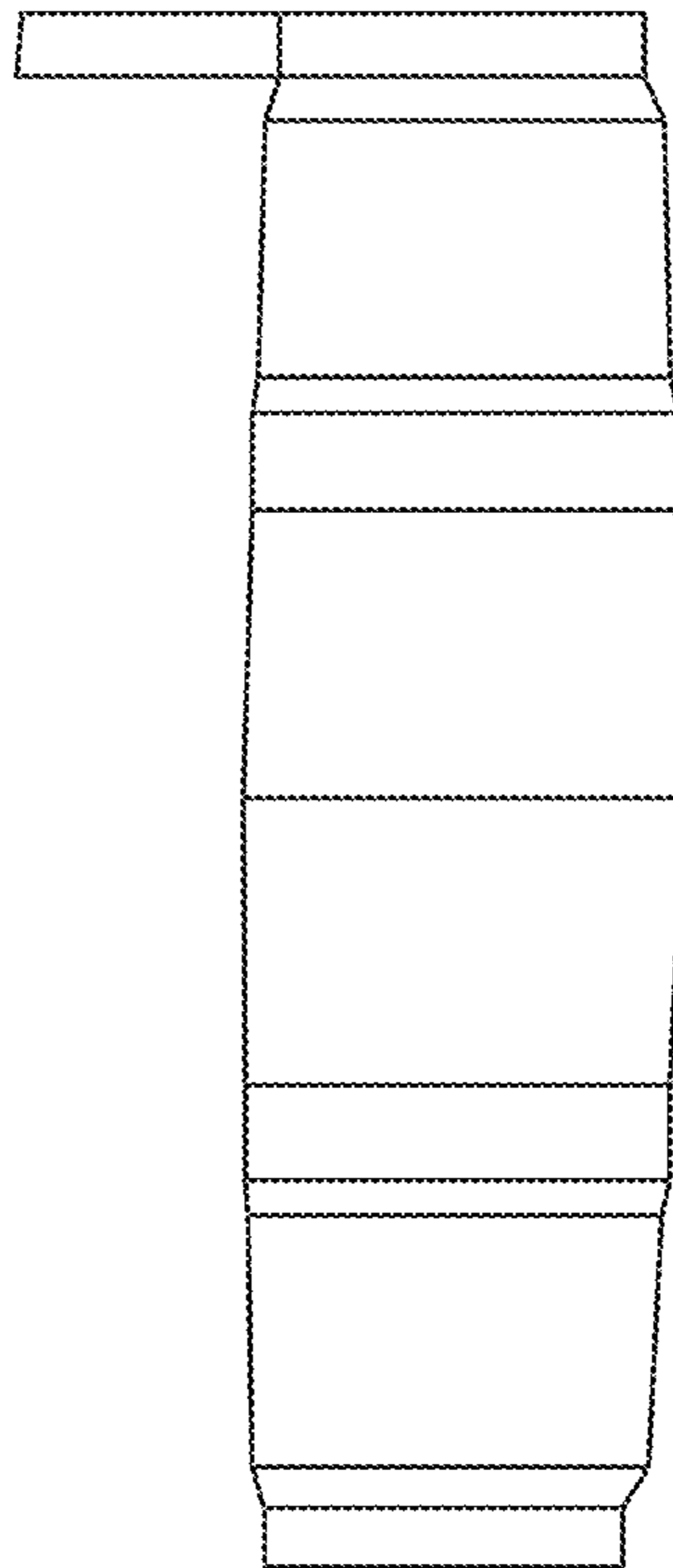


FIG. 4

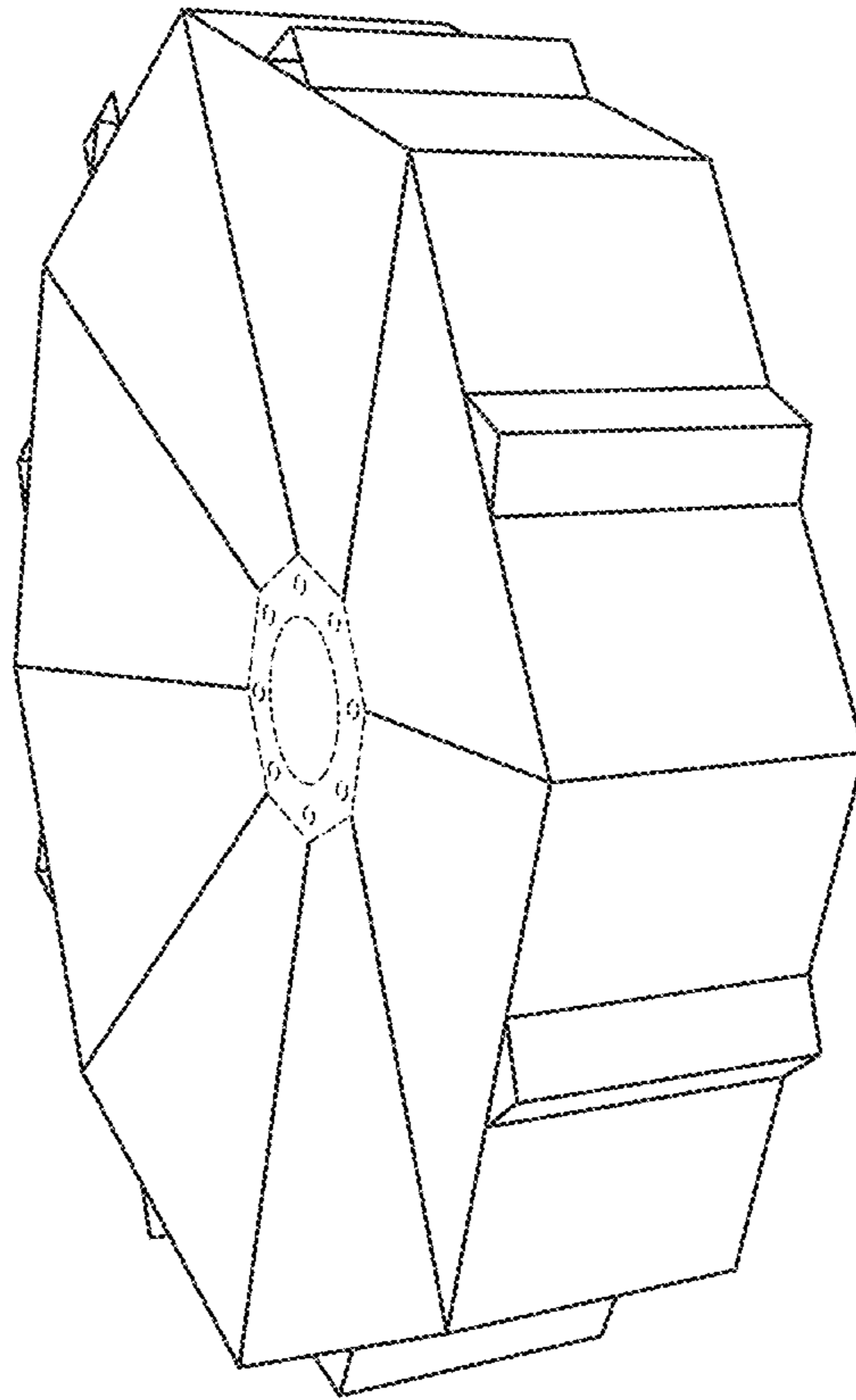


FIG. 5

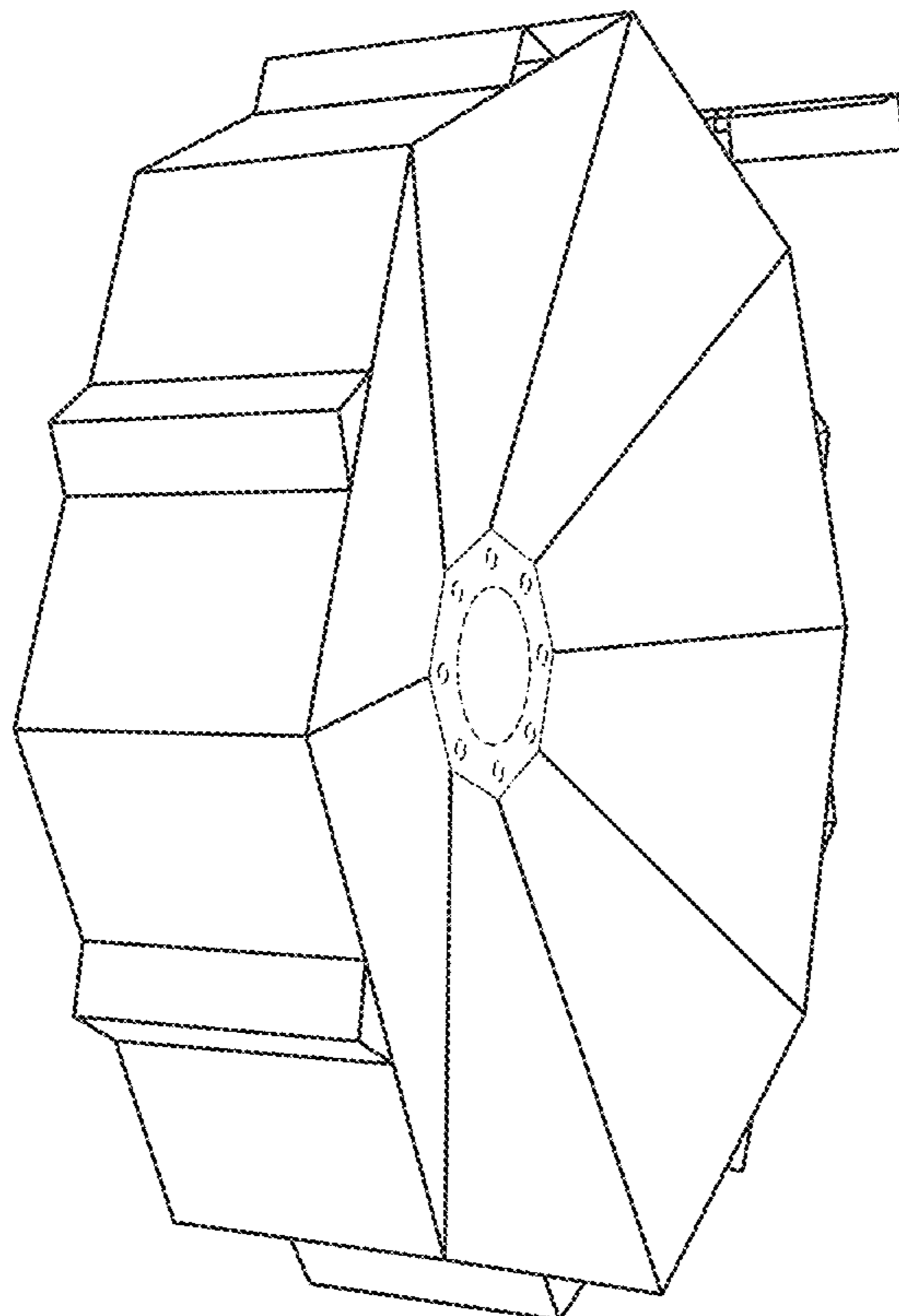


FIG. 6