



US00D887454S

(12) **United States Design Patent**
Graham et al.

(10) **Patent No.:** **US D887,454 S**

(45) **Date of Patent:** **** Jun. 16, 2020**

(54) **COMPACT TRACK LOADER**

(71) Applicant: **DEERE & COMPANY**, Moline, IL
(US)

(72) Inventors: **Brett Graham**, Dubuque, IA (US);
Nilesh Kumbhar, Karad (IN); **Nicholas Rokusek**,
Dubuque, IA (US); **John Mahrenholz**, Dubuque, IA (US);
Michael Tigges, Dubuque, IA (US)

(73) Assignee: **DEERE & COMPANY**, Moline, IL
(US)

(**) Term: **15 Years**

(21) Appl. No.: **29/681,036**

(22) Filed: **Mar. 11, 2019**

(51) **LOC (12) Cl.** **12-09**

(52) **U.S. Cl.**
USPC **D15/25; D15/33**

(58) **Field of Classification Search**
USPC D15/10, 17, 22-26, 28, 30, 33; D12/192;
D21/329; D34/28, 35; 74/491, 469,
74/471 R, 471 XY; 280/752; 296/1.09,
296/191, 153; 297/411.36, 217.3, 411.2,
297/411.21; 180/333, 315, 326, 332, 329,
180/331, 90, 334, 89.1, 89.12, 900;
414/685, 686

CPC E02F 3/3405; E02F 3/283; E02F 3/342;
E02F 3/3414; E02F 3/38; E02F 3/00;
E02F 9/166; E02F 9/163; A01G 23/006;
B62D 33/0617; B62D 33/067

See application file for complete search history.

(56) **References Cited**

U.S. PATENT DOCUMENTS

- 4,705,449 A * 11/1987 Christianson E02F 9/163
180/6.5
- 5,807,061 A * 9/1998 Donoghue E02F 3/3411
414/697

- D450,718 S * 11/2001 Muraro D15/25
- 6,542,789 B2 4/2003 Ufheil
- D492,327 S * 6/2004 Albright D15/23
- D504,136 S * 4/2005 Albright D15/23
- 7,036,248 B2 5/2006 Meyeres et al.
- 7,099,722 B2 8/2006 Casey
- D570,379 S * 6/2008 Kato D15/25
- D570,380 S * 6/2008 Kato D15/25
- D572,276 S * 7/2008 Pinther D15/23
- D572,277 S * 7/2008 Pinther D15/23
- D573,160 S * 7/2008 Kato D15/25
- D579,027 S * 10/2008 Kato D15/25
- D583,834 S * 12/2008 Sugiyama D15/23
- D583,835 S * 12/2008 Sugiyama D15/23
- D600,721 S * 9/2009 Shimomura D15/23
- D631,897 S * 2/2011 Major D15/23
- D631,898 S * 2/2011 Major D15/24

(Continued)

FOREIGN PATENT DOCUMENTS

CA 2885399 A1 9/2016

Primary Examiner — Mark A Goodwin

(57) **CLAIM**

The ornamental design for a compact track loader, as shown and described.

DESCRIPTION

FIG. 1 is a perspective view of a compact track loader showing our new design.

FIG. 2 is a left side view thereof.

FIG. 3 is a right side view thereof.

FIG. 4 is a front view thereof.

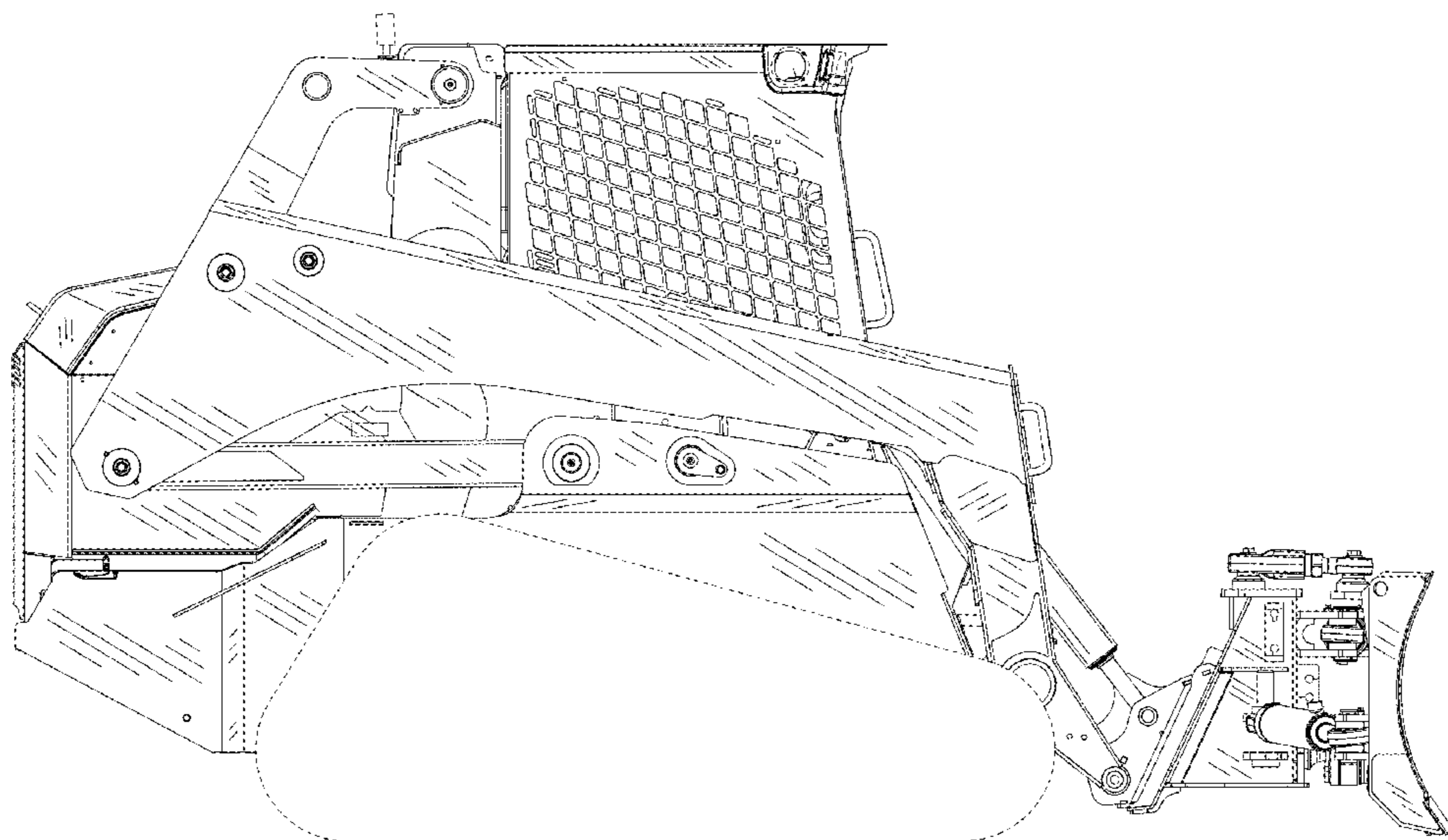
FIG. 5 is a rear view thereof.

FIG. 6 is a top view thereof; and,

FIG. 7 is a bottom view thereof.

The broken line representations of environmental structure in FIGS. 1-7 is for illustrative purposes only and forms no part of the claimed design.

1 Claim, 7 Drawing Sheets



(56)

References Cited

U.S. PATENT DOCUMENTS

D790,598 S *	6/2017	Furuki	D15/25
D832,551 S *	10/2018	Smekal	D34/34
D832,894 S *	11/2018	Price	D15/25
D839,929 S *	2/2019	Price	D15/23
2009/0118844 A1	5/2009	Schmuck et al.	
2016/0032564 A1	2/2016	Pinther, II et al.	
2016/0273196 A1	9/2016	Funk et al.	
2017/0145655 A1	5/2017	Mason	
2018/0058038 A1	3/2018	Fredrickson	
2018/0179735 A1	6/2018	Newlin et al.	

* cited by examiner

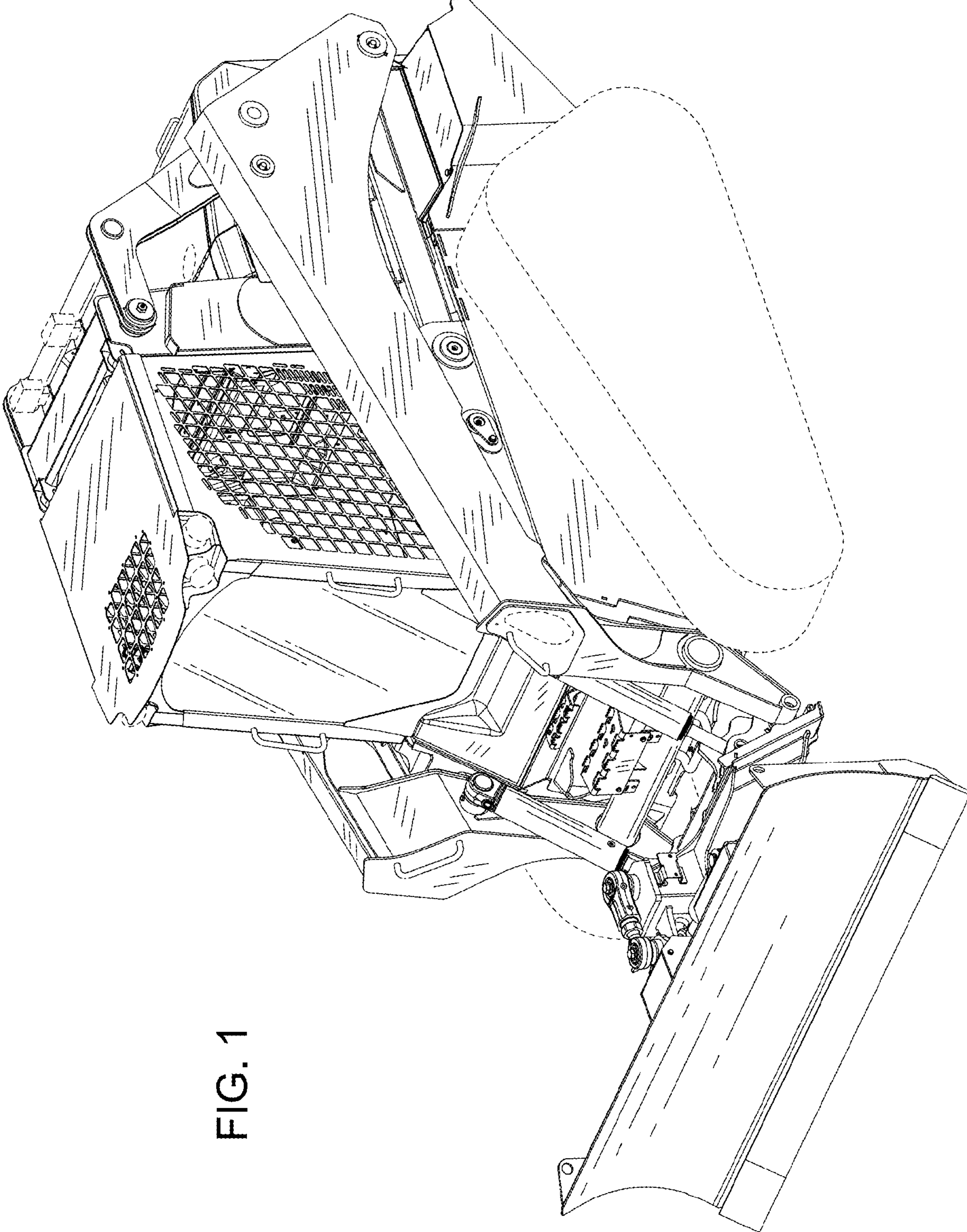


FIG. 1

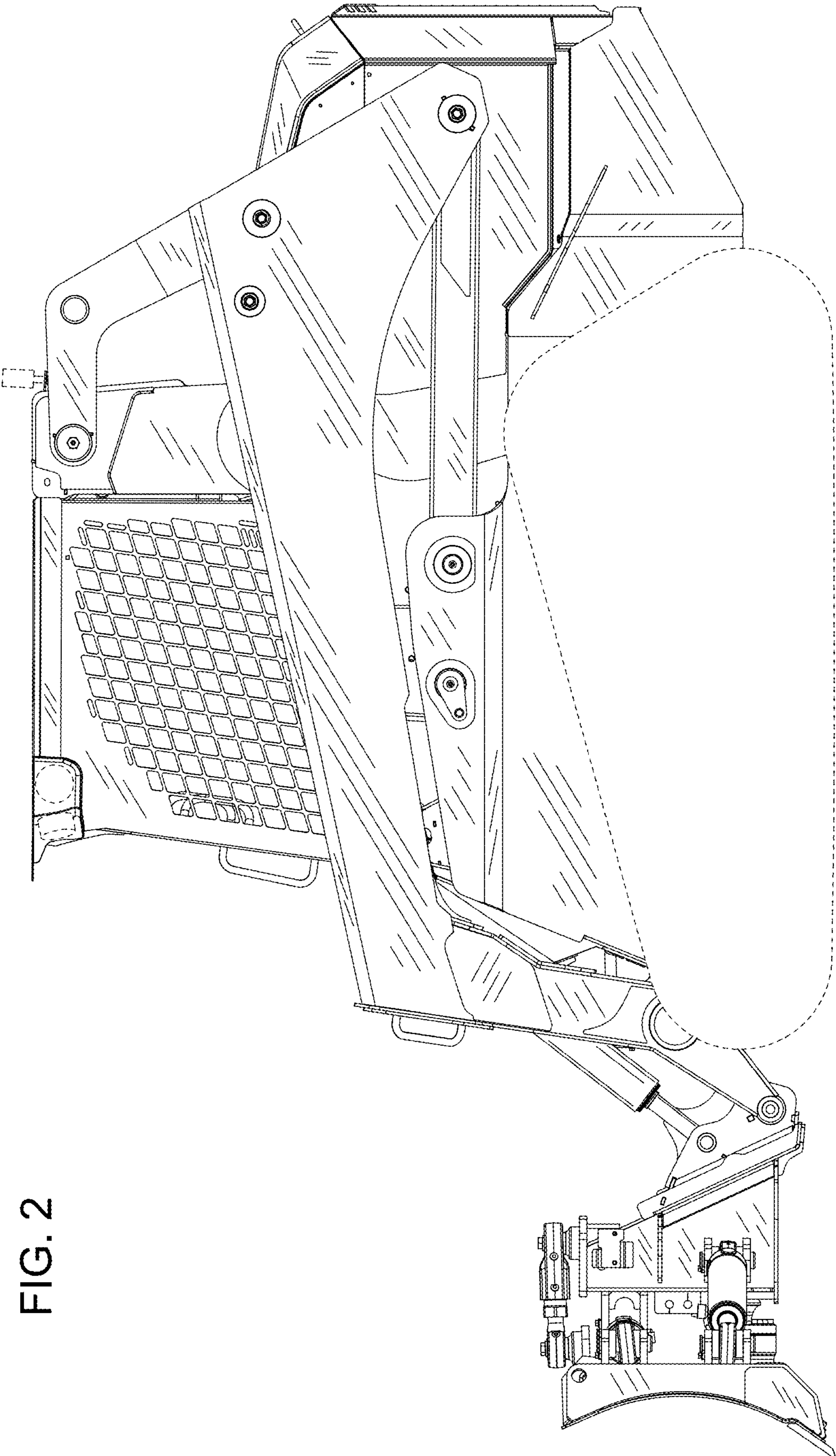
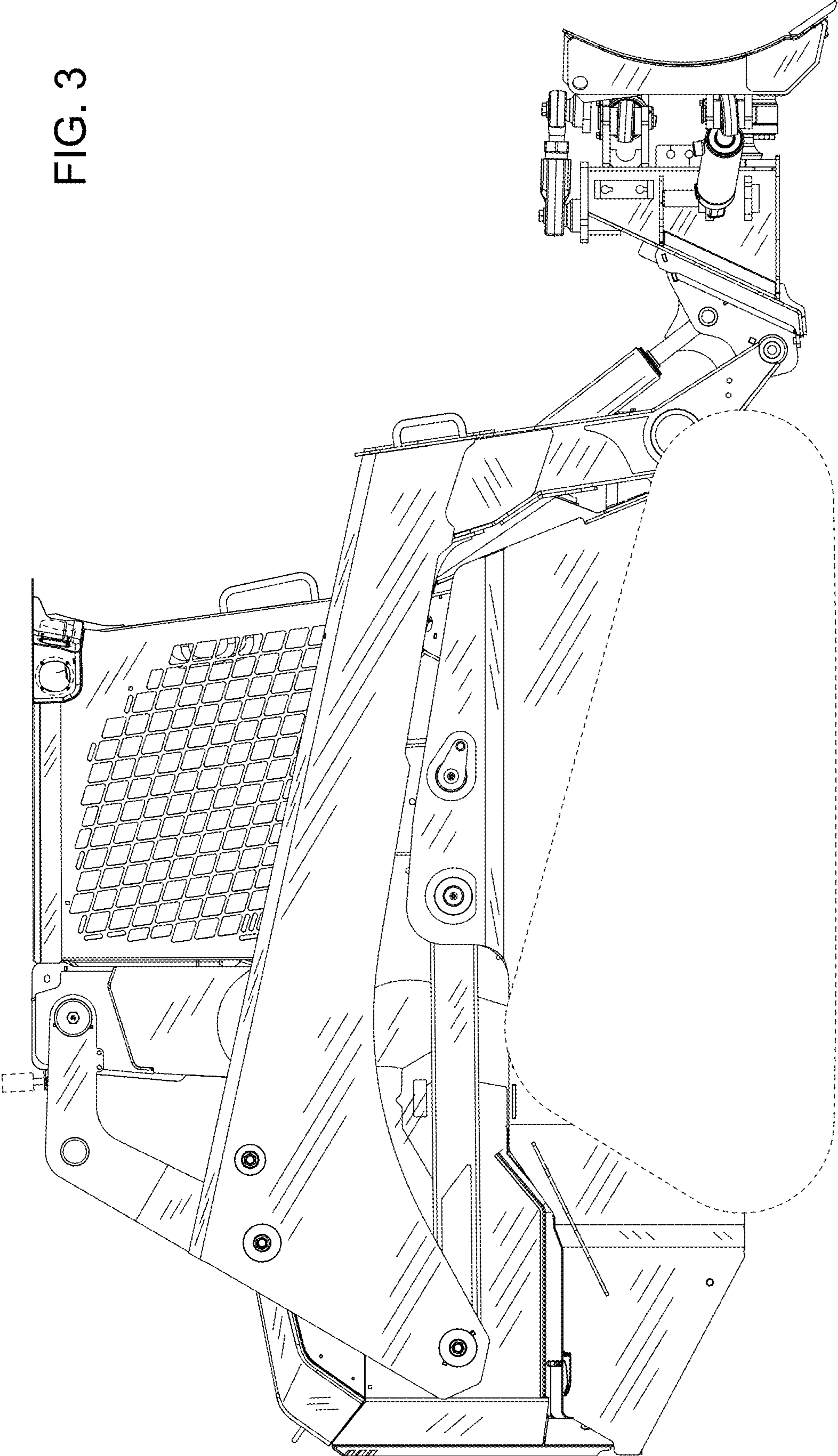


FIG. 2

FIG. 3



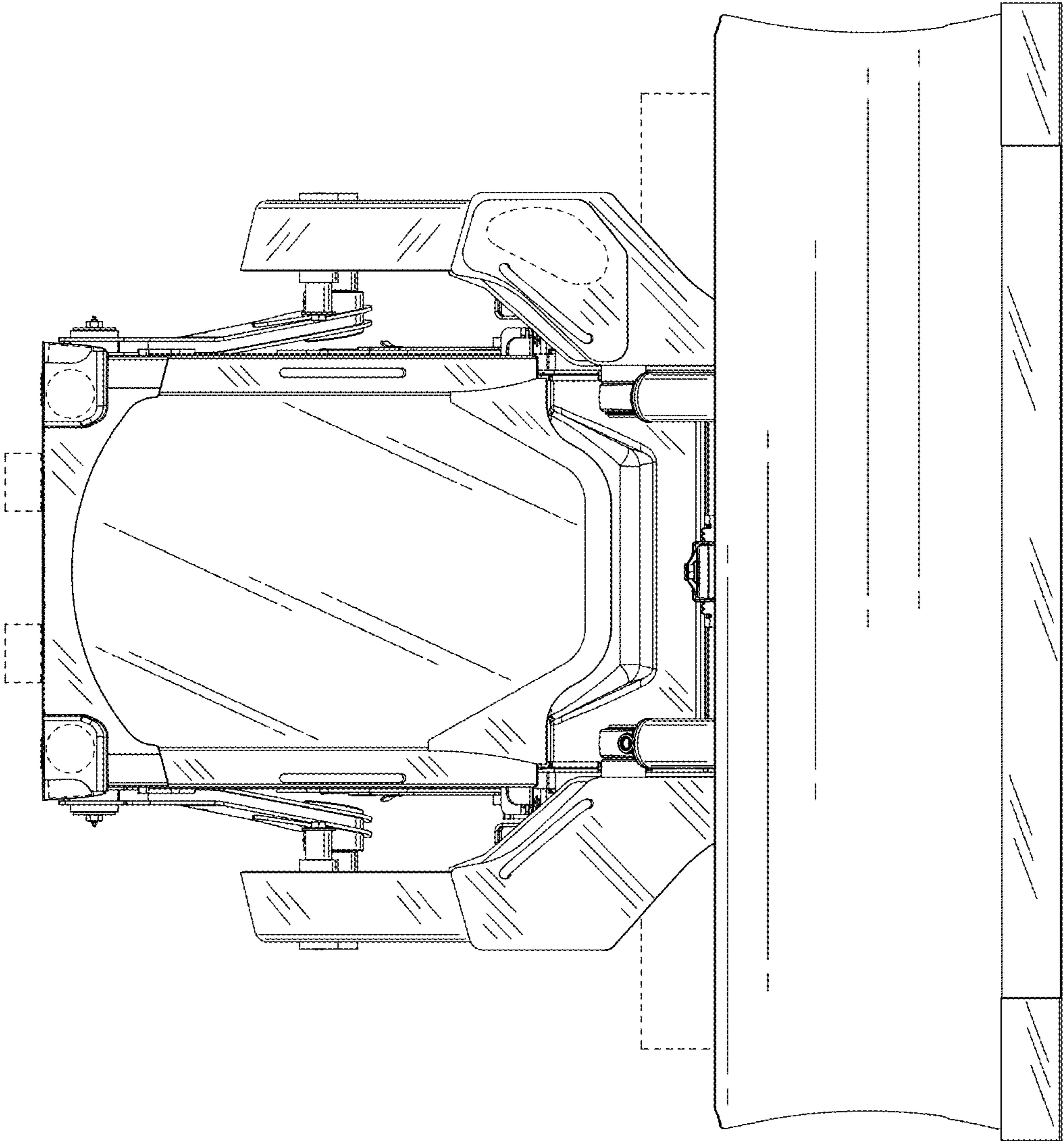


FIG. 4

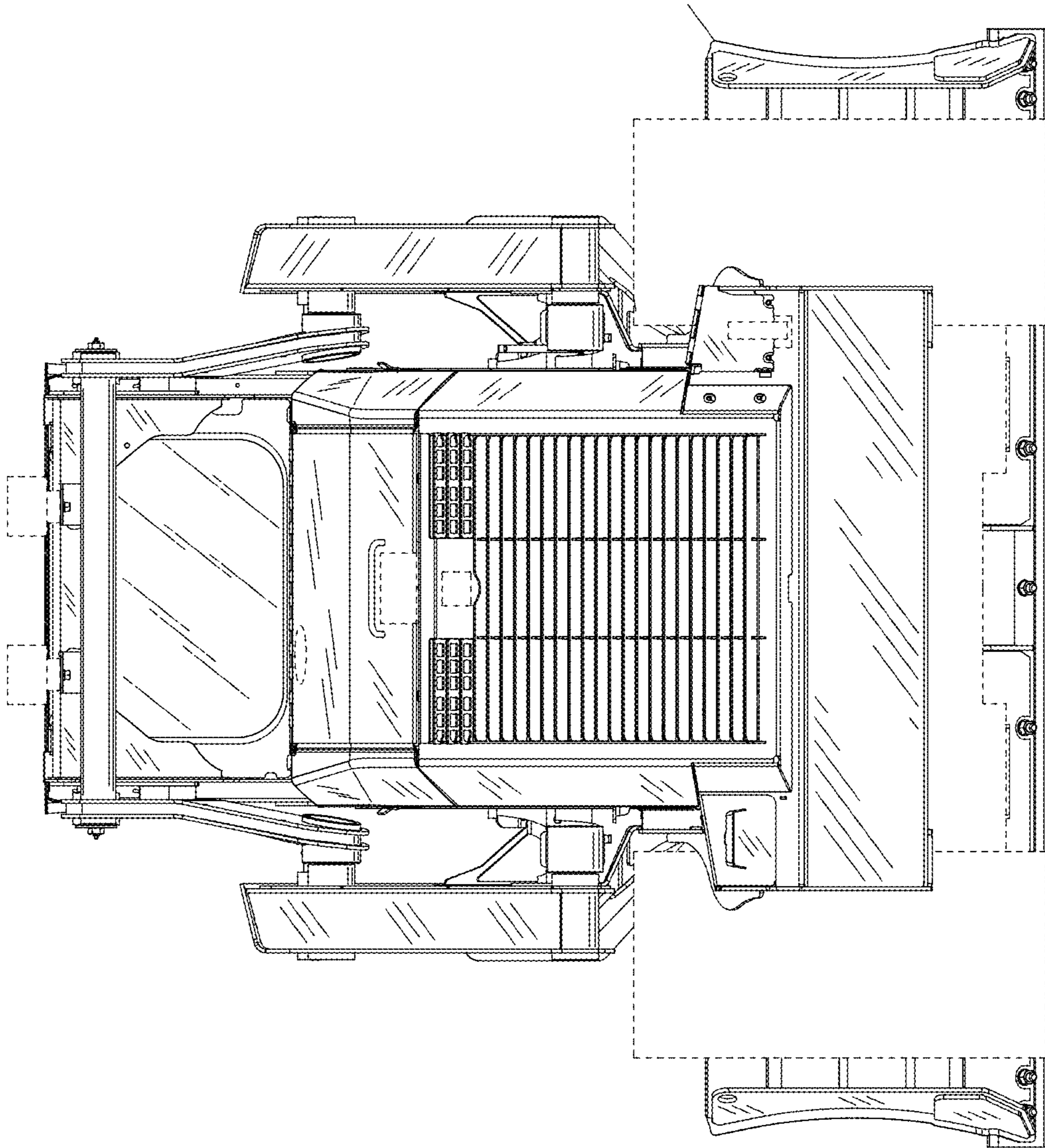


FIG. 5

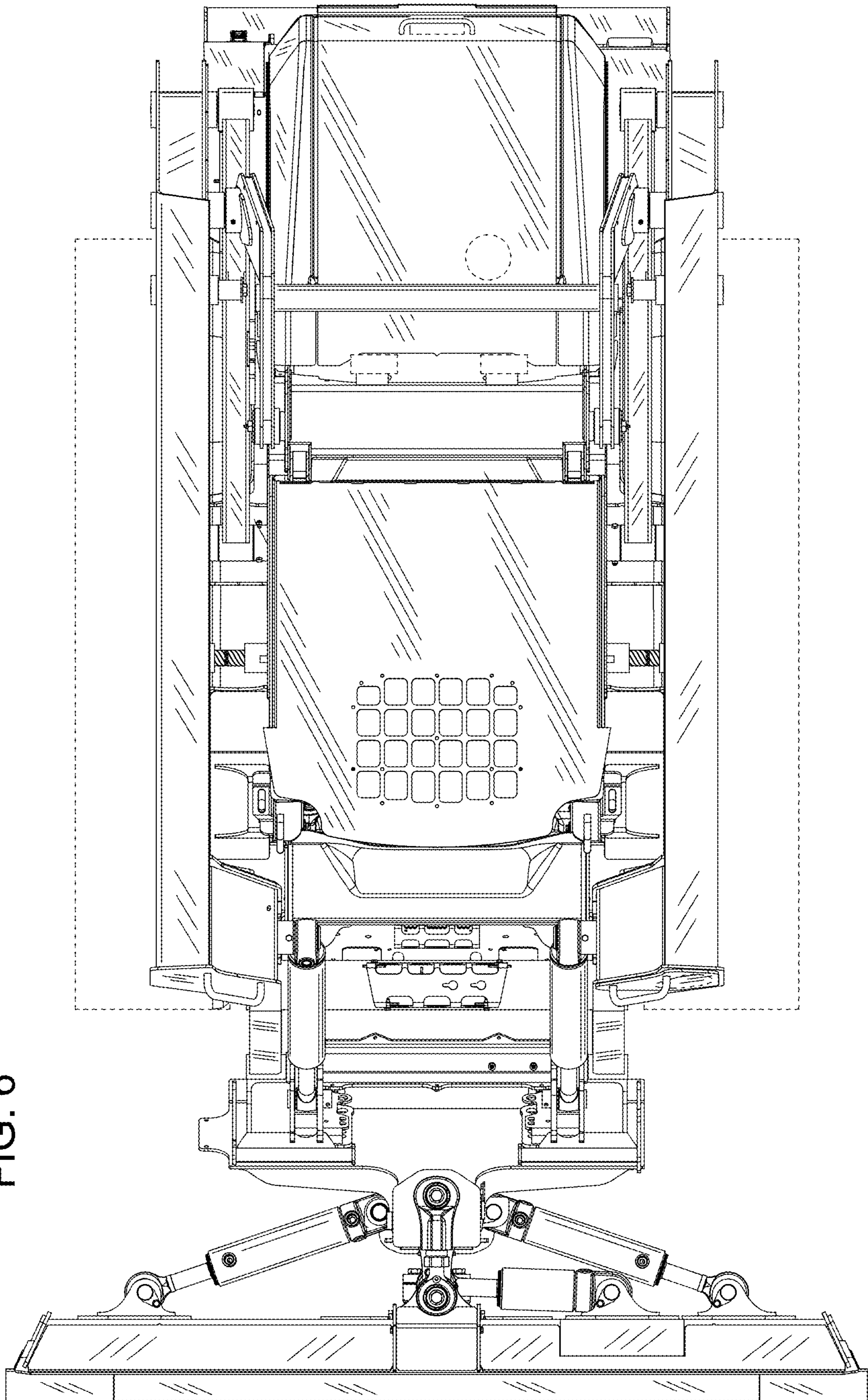


FIG. 6

