



US00D887450S

(12) **United States Design Patent**  
**Choi et al.**

(10) **Patent No.:** **US D887,450 S**  
(45) **Date of Patent:** **\*\* Jun. 16, 2020**

- (54) **SMALL ARTICULATED LOADER**
- (71) Applicant: **Clark Equipment Company**, West Fargo, ND (US)
- (72) Inventors: **Seula Choi**, Seoul (KR); **Brandon D. Levenson**, Bismarck, ND (US); **Martin Miller**, Fargo, ND (US)
- (73) Assignee: **CLARK EQUIPMENT COMPANY**, West Fargo, ND (US)
- (\*\*) Term: **15 Years**
- (21) Appl. No.: **29/681,119**
- (22) Filed: **Feb. 22, 2019**
- (51) **LOC (12) Cl.** ..... **12-09**
- (52) **U.S. Cl.**  
USPC ..... **D15/22; D15/33**
- (58) **Field of Classification Search**  
USPC .... D15/10, 17, 22-26, 28, 30, 33; D12/192; D21/329; D34/28, 35; 74/491, 469, 74/471 R, 471 XY; 280/752; 296/1.09, 296/191, 153; 297/411.36, 217.3, 411.2, 297/411.21; 180/333, 315, 326, 332, 329, 180/331, 90, 334, 89.1, 89.12, 900; 414/685, 686  
CPC ..... E02F 3/3405; E02F 3/283; E02F 3/342; E02F 3/3414; E02F 3/38; E02F 3/00; E02F 9/166; E02F 9/163; A01G 23/006; B62D 33/0617; B62D 33/067  
See application file for complete search history.

D450,718 S *	11/2001	Muraro	.....	D15/25
D492,327 S *	6/2004	Albright	.....	D15/23
D504,136 S *	4/2005	Albright	.....	D15/23
D570,379 S *	6/2008	Kato	.....	D15/25
D570,380 S *	6/2008	Kato	.....	D15/25
D572,276 S *	7/2008	Pinther	.....	D15/23
D572,277 S *	7/2008	Pinther	.....	D15/23
D573,160 S *	7/2008	Kato	.....	D15/25
D579,027 S *	10/2008	Kato	.....	D15/25
D583,834 S *	12/2008	Sugiyama	.....	D15/23
D583,835 S *	12/2008	Sugiyama	.....	D15/23
D600,721 S *	9/2009	Shimomura	.....	D15/23
D631,897 S *	2/2011	Major	.....	D15/23
D631,898 S *	2/2011	Major	.....	D15/24
D790,598 S *	6/2017	Furuki	.....	D15/25
D832,551 S *	10/2018	Smekal	.....	D34/34
D832,894 S *	11/2018	Price	.....	D15/25
D839,929 S *	2/2019	Price	.....	D15/23

\* cited by examiner

*Primary Examiner* — Mark A Goodwin  
(74) *Attorney, Agent, or Firm* — John D. Veldhuis-Kroeze; Westman, Champlin & Koehler, P.A.

(57) **CLAIM**

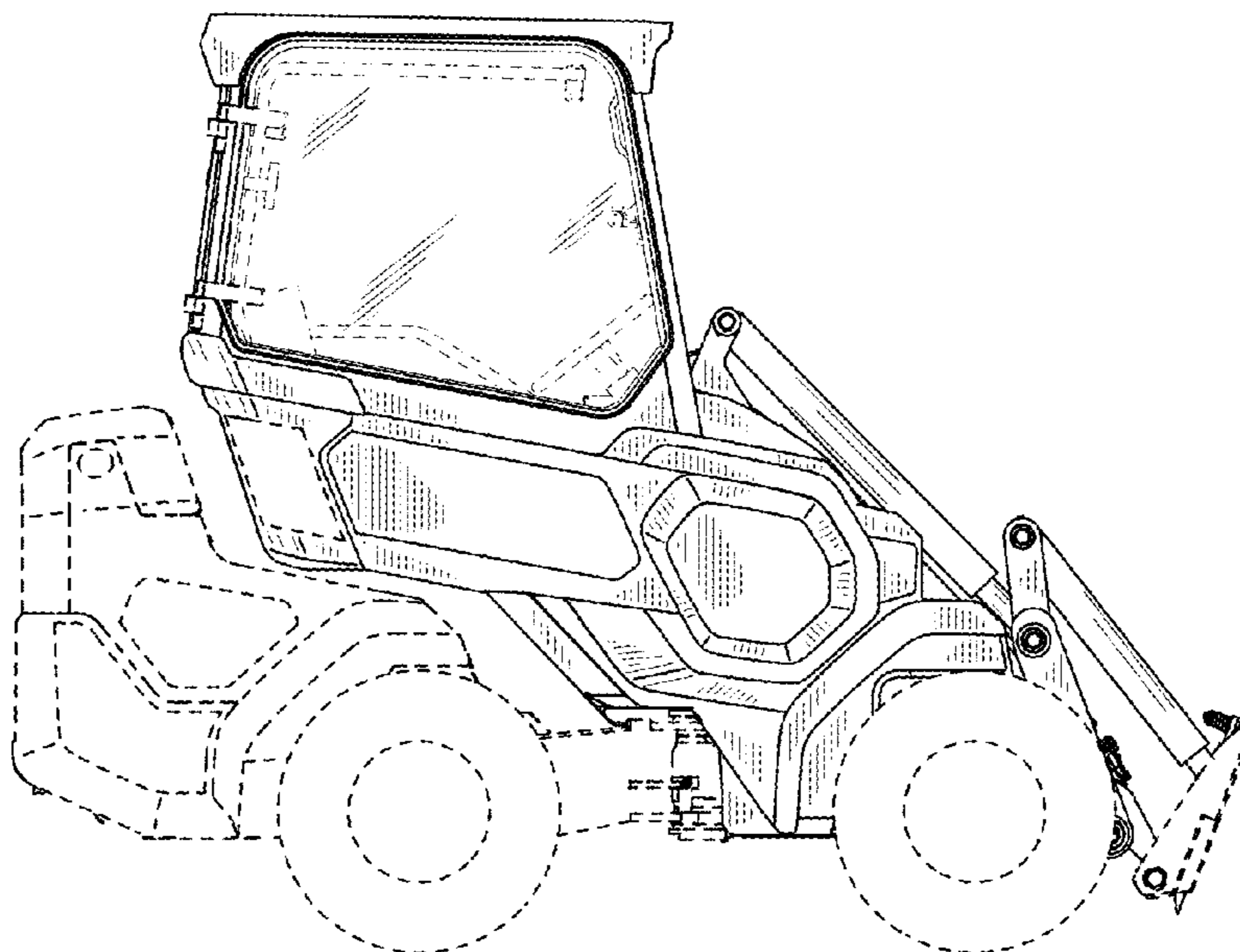
The ornamental design for a small articulated loader, as shown and described.

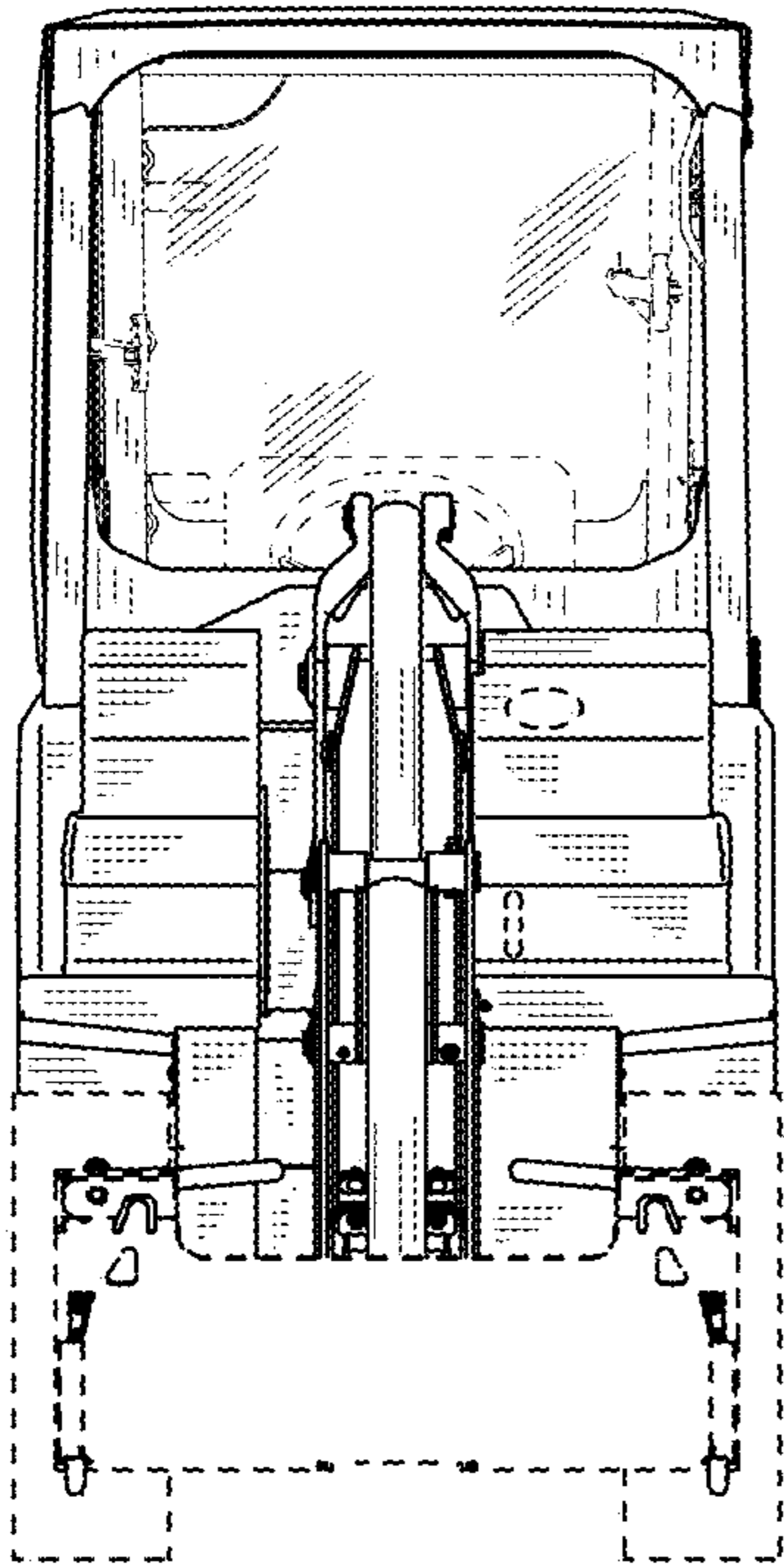
**DESCRIPTION**

FIG. 1 is a front view of the small articulated loader showing our new design;  
FIG. 2 is a rear view thereof;  
FIG. 3 is a right side view thereof;  
FIG. 4 is a left side view thereof;  
FIG. 5 is a top view thereof; and,  
FIG. 6 is a bottom view thereof.  
The broken lines shown in the drawings are included for purposes of illustrating portions of the small articulated loader and form no part of the claimed design.

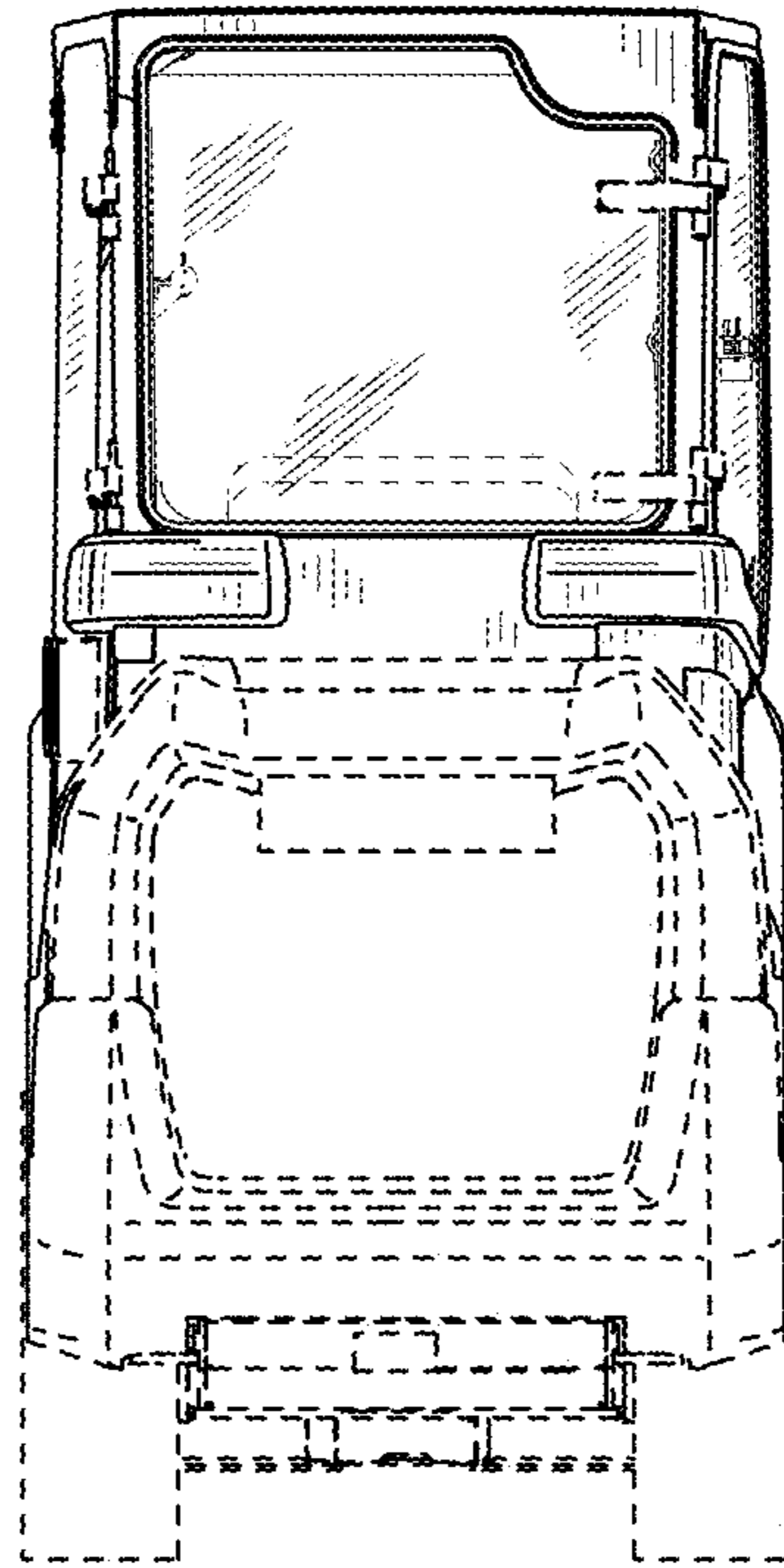
**1 Claim, 3 Drawing Sheets**

- (56) **References Cited**  
U.S. PATENT DOCUMENTS  
4,705,449 A \* 11/1987 Christianson ..... E02F 9/163  
180/6.5  
5,807,061 A \* 9/1998 Donoghue ..... E02F 3/3411  
414/697

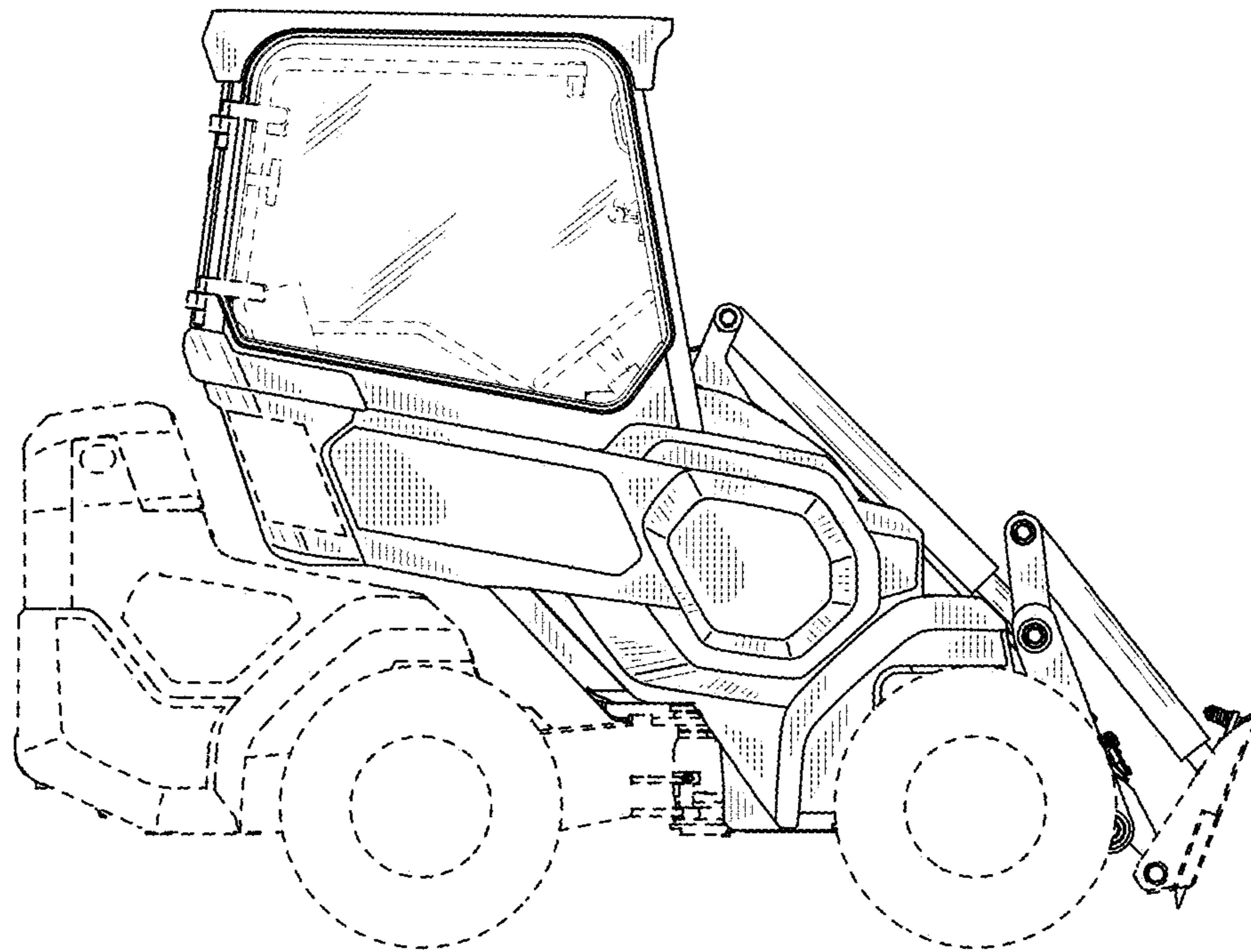




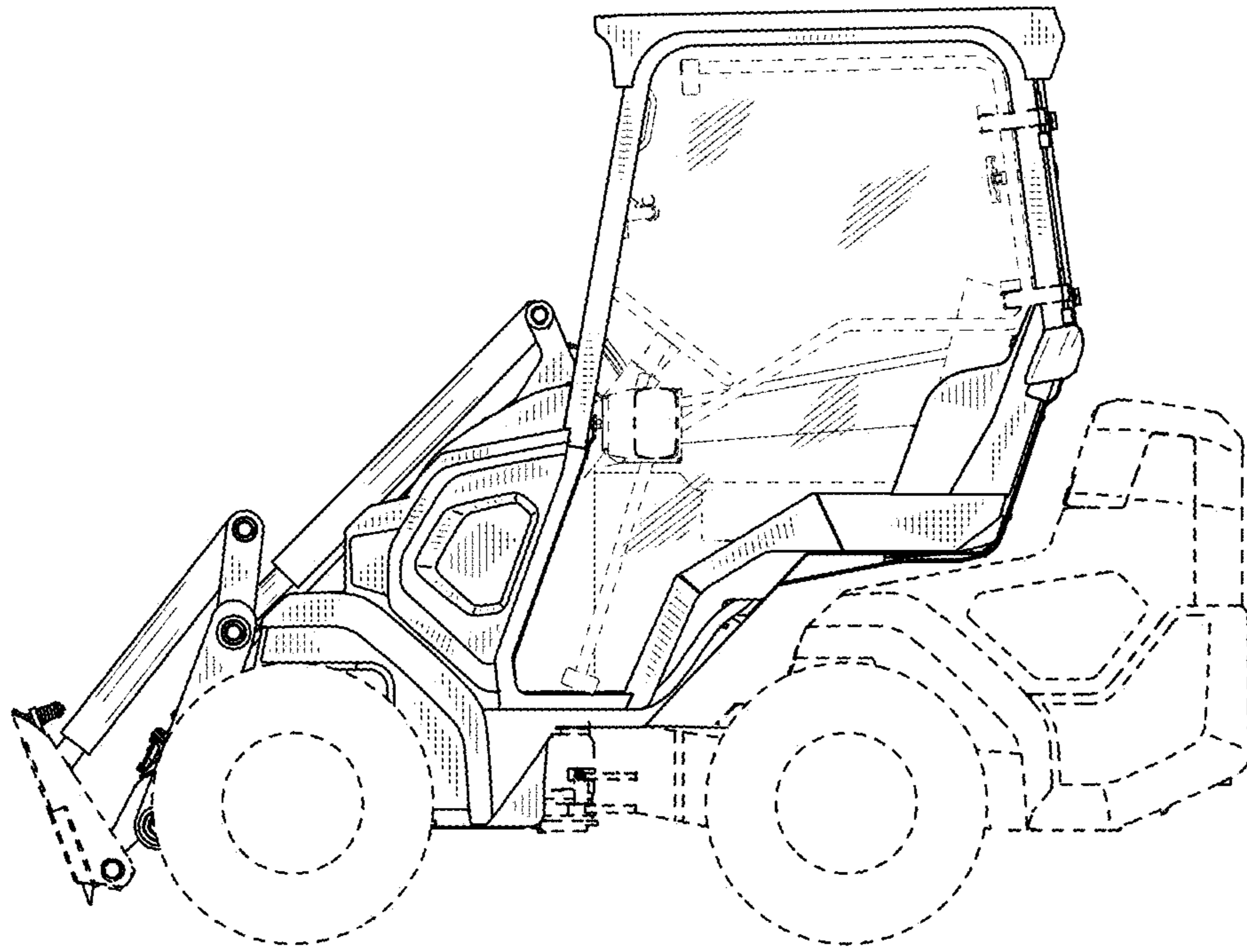
*FIG. 1*



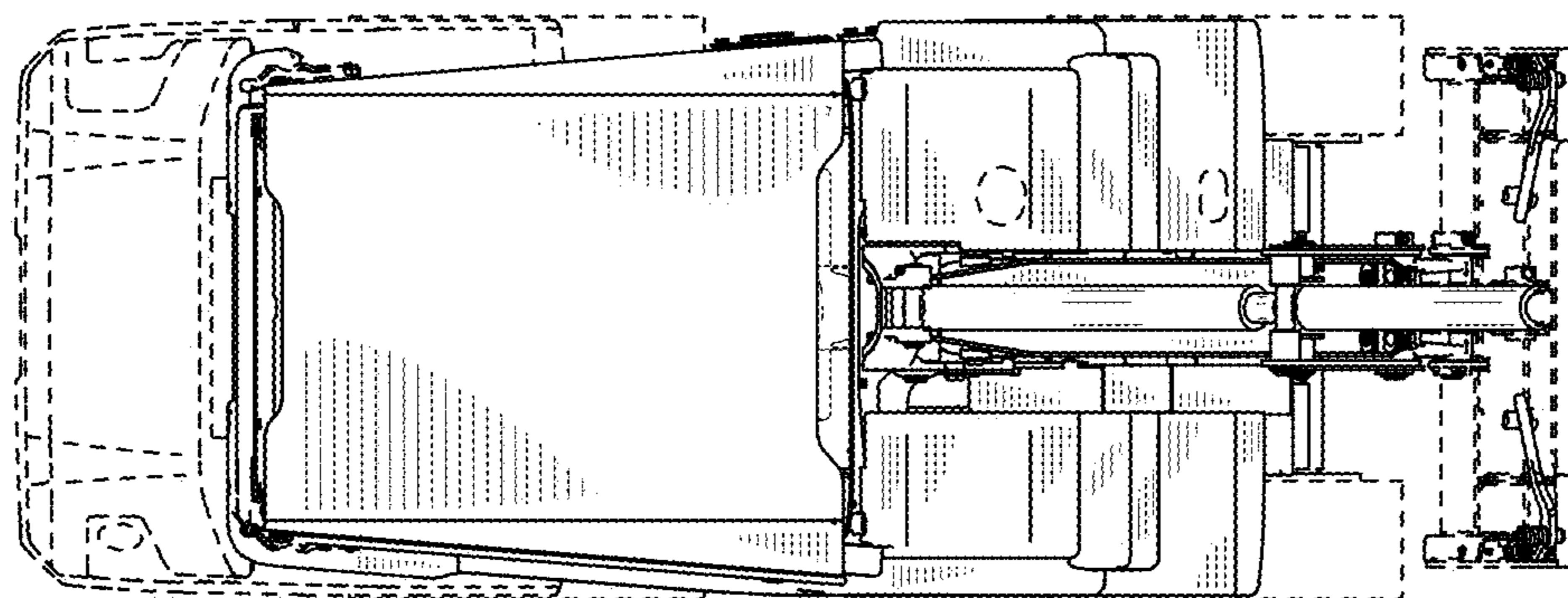
*FIG. 2*



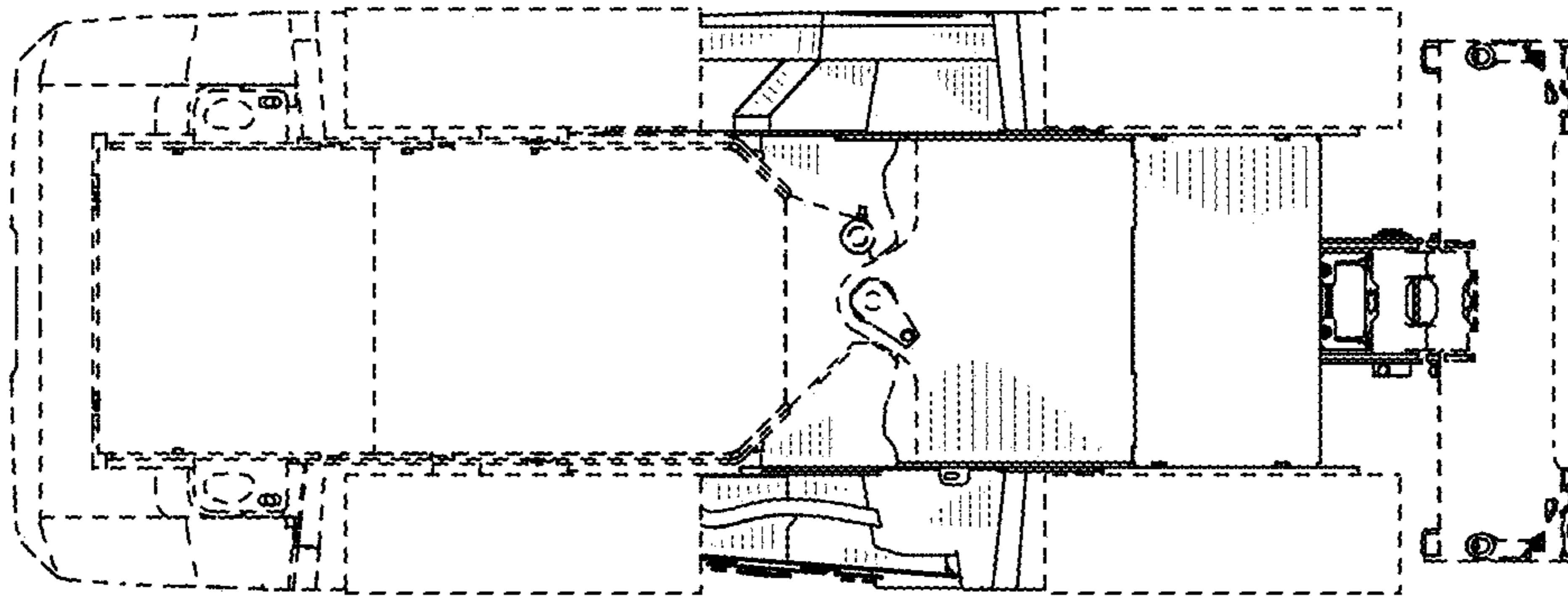
*FIG. 3*



*FIG. 4*



*FIG. 5*



*FIG. 6*