



US00D887449S

(12) **United States Design Patent**  
**Zwahlen**

(10) **Patent No.:** **US D887,449 S**  
(45) **Date of Patent:** **\*\* Jun. 16, 2020**

(54) **CENTRIFUGAL PUMP**  
(71) Applicant: **MICRONEL AG**, Tagelswangen (CH)  
(72) Inventor: **Ronny Zwahlen**, Zürich (CH)  
(73) Assignee: **Micronel AG**, Tagelswangen (CH)  
(\*\*) Term: **15 Years**

D372,921 S \* 8/1996 Ijiri ..... D15/7  
D503,411 S \* 3/2005 Fujiwara ..... D15/7  
D630,229 S \* 1/2011 Dreifert ..... D15/7  
D713,860 S \* 9/2014 Pedrollo ..... D15/7  
D765,145 S \* 8/2016 Takeda ..... D15/7  
D791,191 S \* 7/2017 Hartung ..... D15/7  
D805,557 S \* 12/2017 Lanevongsa ..... D15/7  
D817,361 S \* 5/2018 Weber ..... D15/7  
D822,718 S \* 7/2018 Hartung ..... D15/7  
D833,483 S \* 11/2018 Sofussen ..... D15/7

(21) Appl. No.: **35/506,089**  
(22) Filed: **May 22, 2018**

\* cited by examiner

(80) **Hague Agreement Data**

Int. Filing Date: **May 22, 2018**  
Int. Reg. No.: **DM/101618**  
Int. Reg. Date: **May 22, 2018**  
Int. Reg. Pub. Date: **Nov. 23, 2018**

*Primary Examiner* — Richard E Chilcot

(74) *Attorney, Agent, or Firm* — The Webb Law Firm

(51) **LOC (12) Cl.** ..... **15-02**  
(52) **U.S. Cl.**  
USPC ..... **D15/7**  
CPC ..... **F02M 37/04** (2013.01)

(57) **CLAIM**

The ornamental design for a centrifugal pump, as shown and described.

(58) **Field of Classification Search**  
USPC ..... D15/7-9; D23/225, 231, 232; 417/60,  
417/235, 265, 321, 355, 358, 363, 359,  
417/410.1, 415-416, 405, 900, 269, 539;  
60/408, 412; 184/26-37; 415/140-147;  
123/495, 509; 137/565.34  
CPC ..... F02M 37/04; F02M 37/14; F04B 53/92;  
F04B 1/005  
See application file for complete search history.

**DESCRIPTION**

FIG. 1.1 is an upper front perspective view of a centrifugal pump showing my new design;  
FIG. 1.2 is a rear perspective view thereof;  
FIG. 1.3 is a front elevation view thereof;  
FIG. 1.4 is a rear elevation view thereof;  
FIG. 1.5 is a left side view thereof;  
FIG. 1.6 is a right side view thereof;  
FIG. 1.7 is a top view thereof; and,  
FIG. 1.8 is a bottom view thereof.

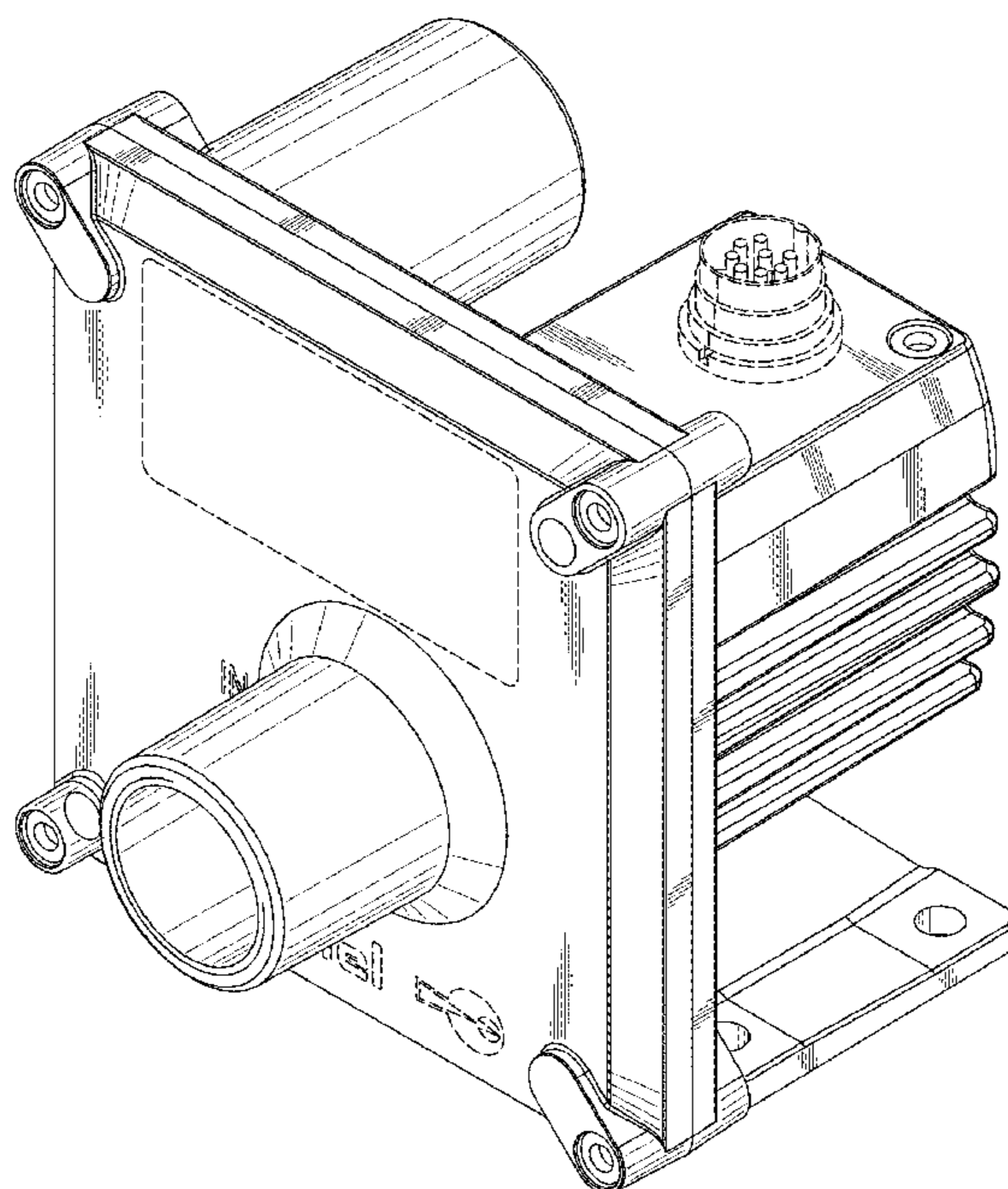
The parts shown by means of broken lines in the drawings are not part of the claimed design.

(56) **References Cited**

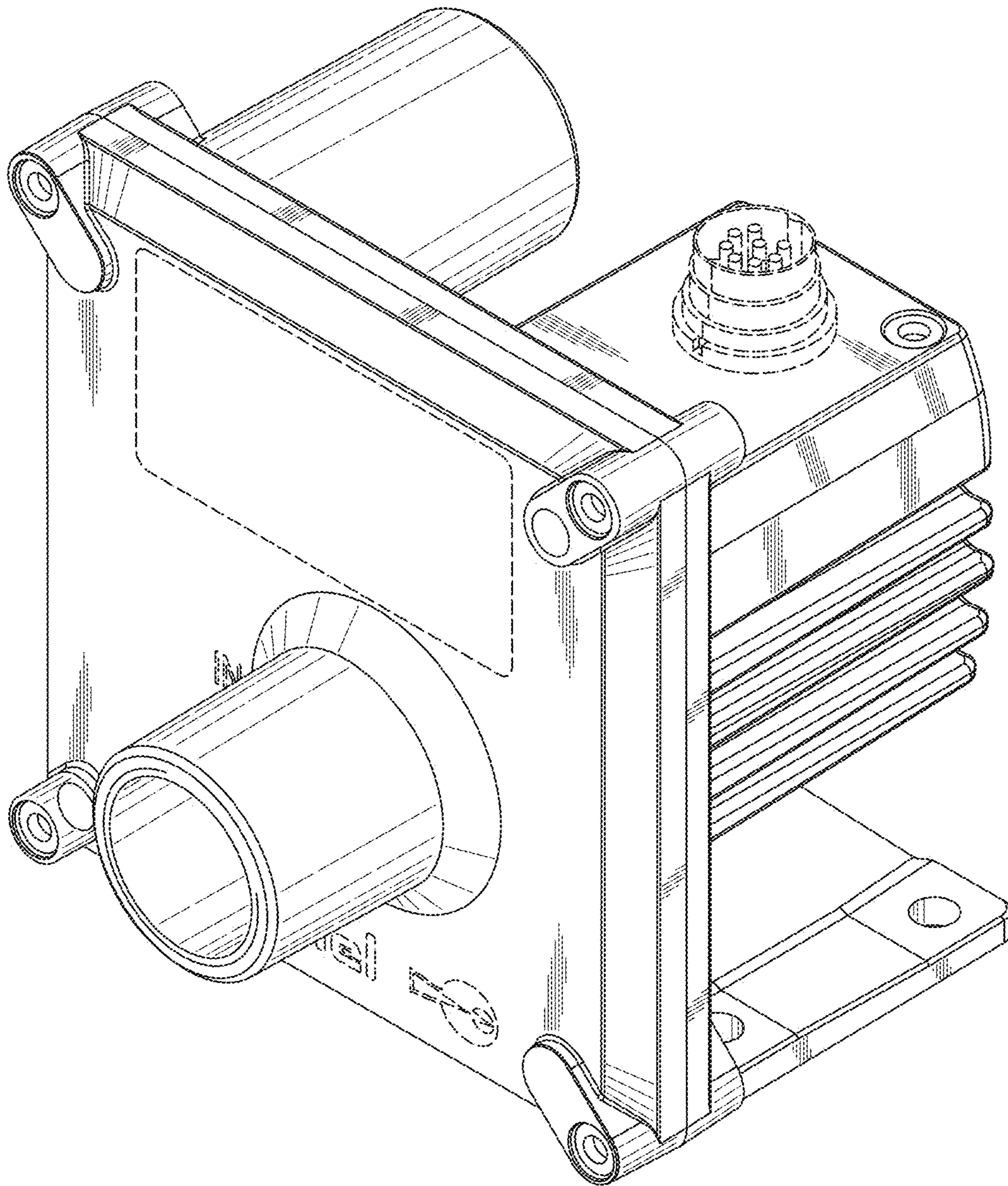
**U.S. PATENT DOCUMENTS**

D247,967 S \* 5/1978 Hartnett ..... D15/7  
D252,811 S \* 9/1979 Arakawa ..... D15/7

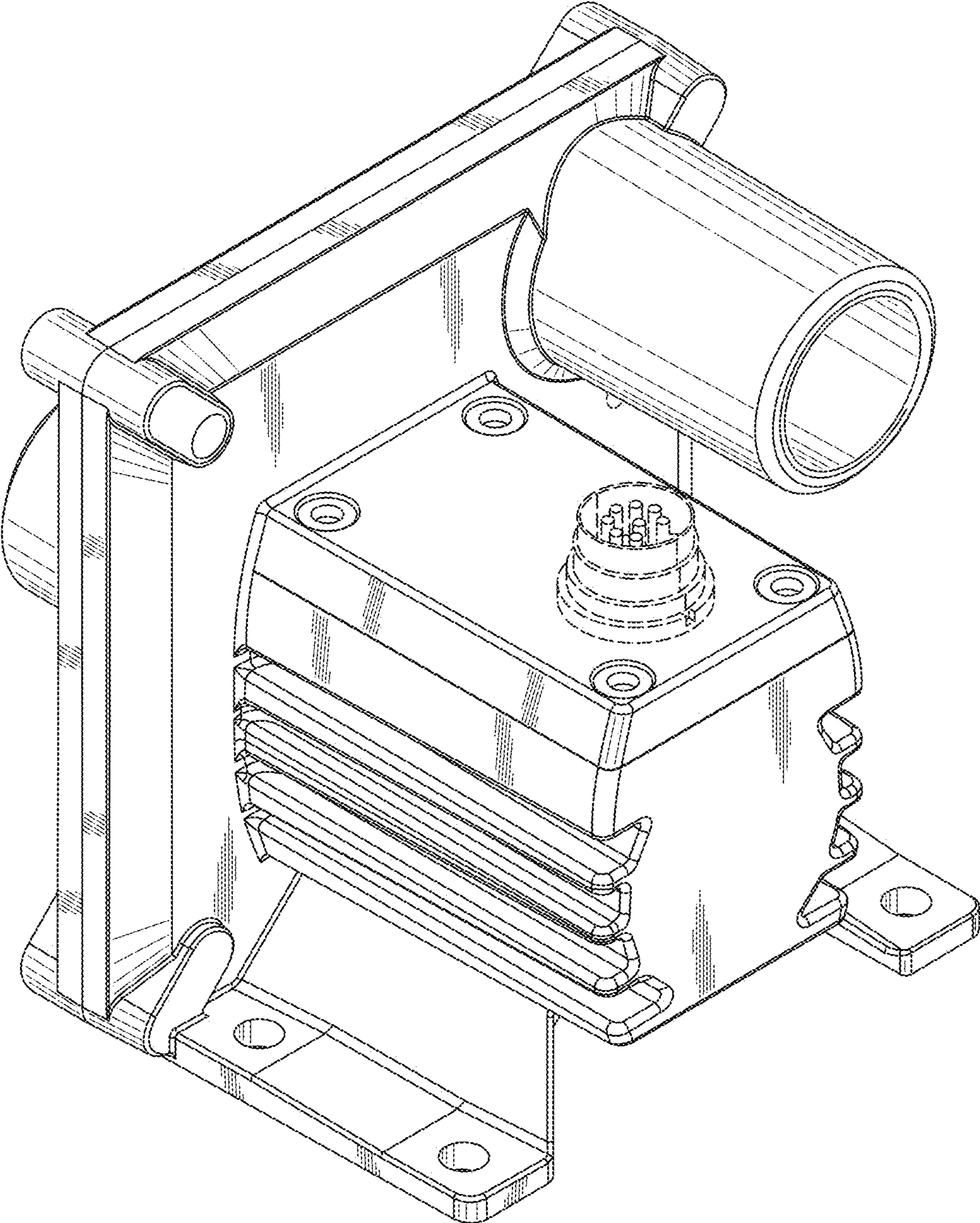
**1 Claim, 8 Drawing Sheets**



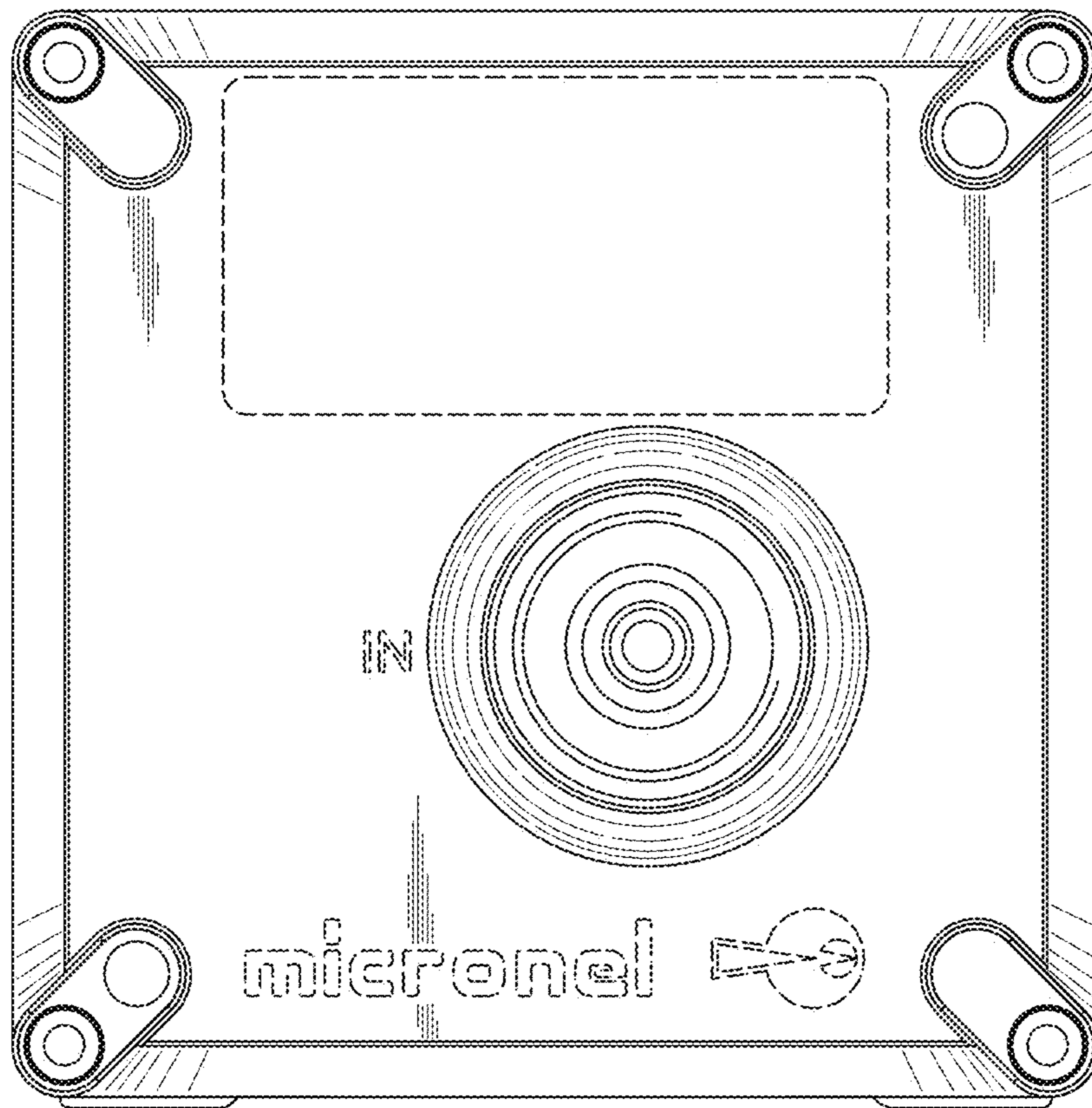
1.1



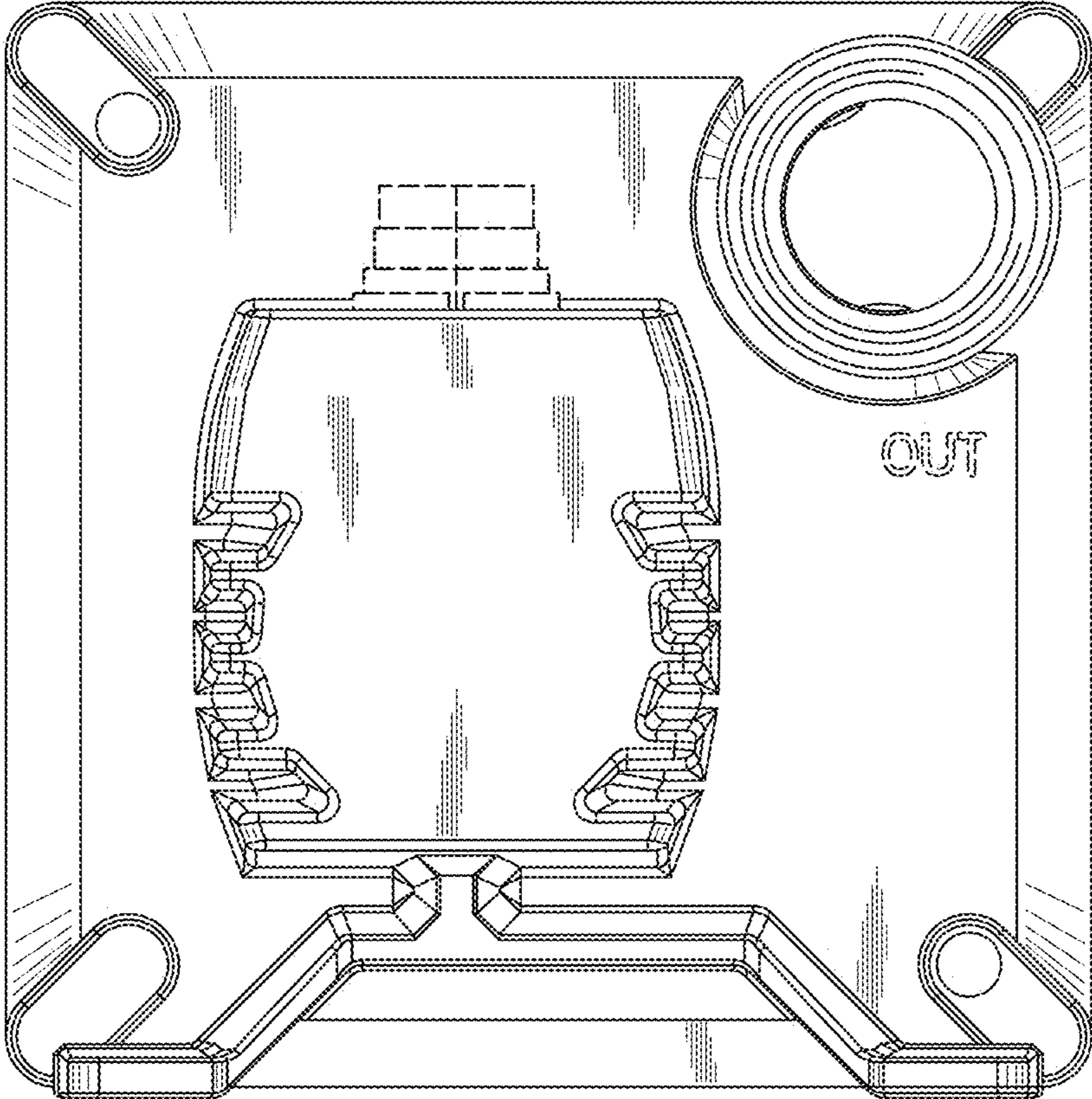
1.2



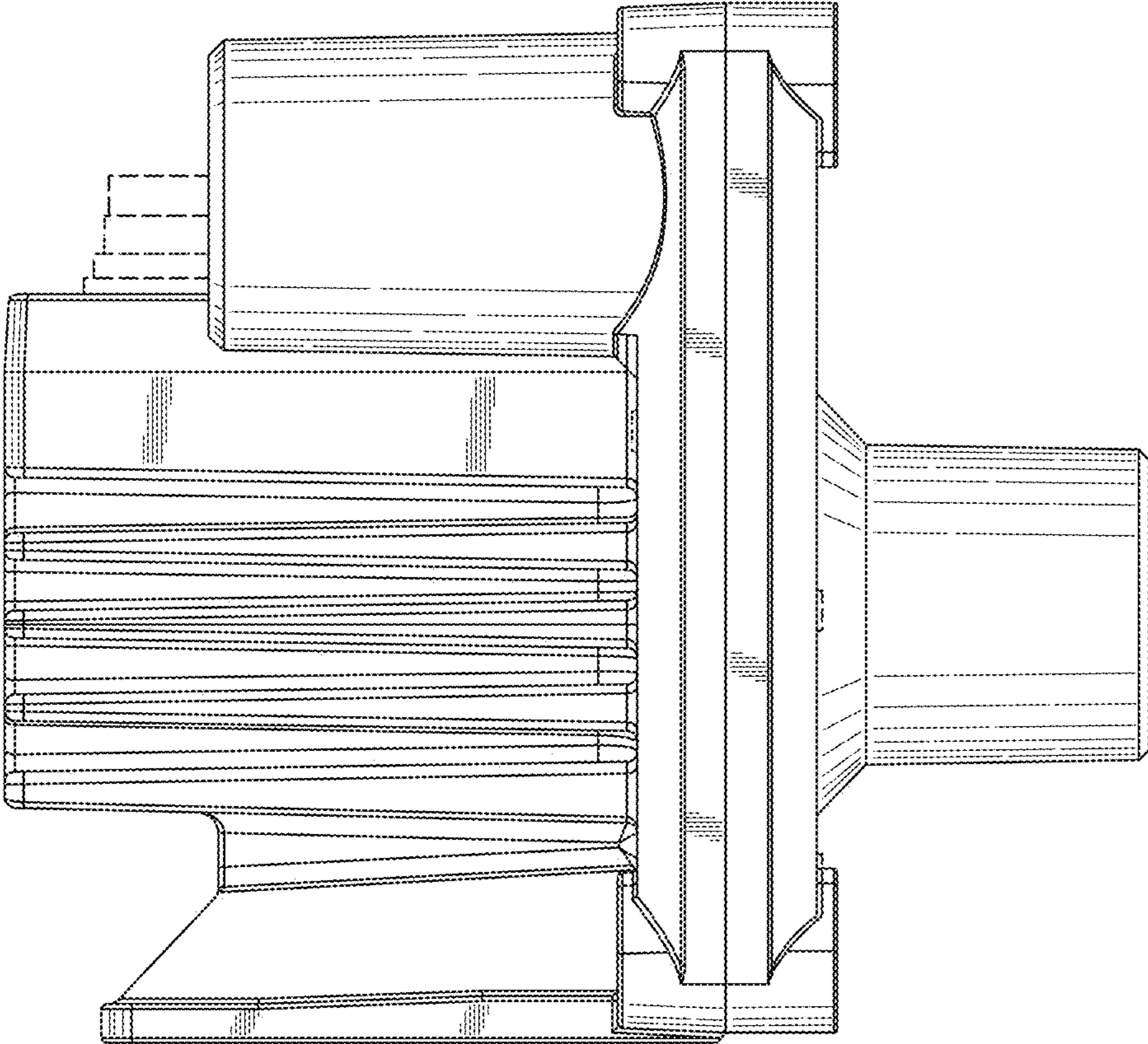
1.3



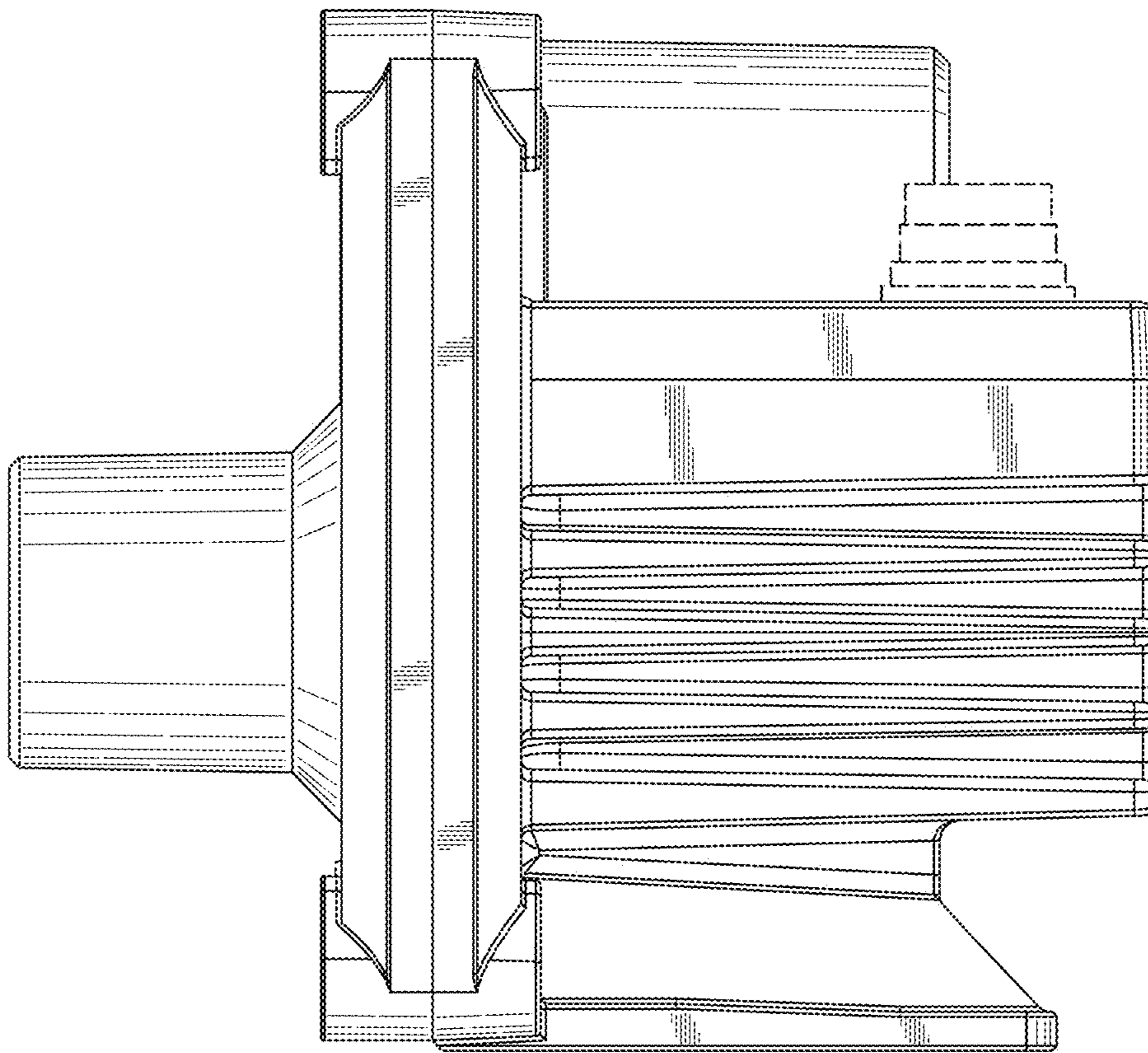
1.4



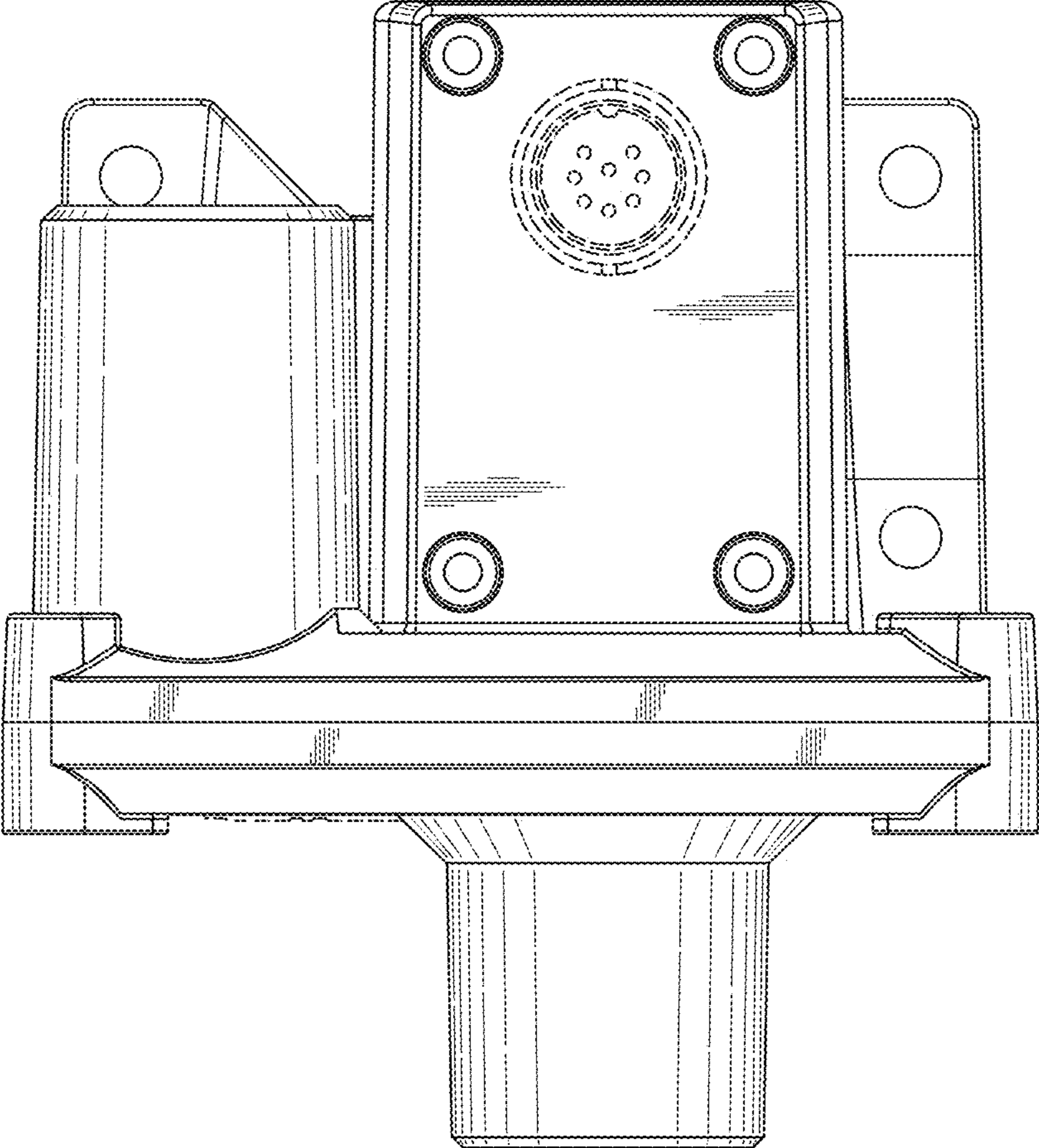
1.5



1.6



1.7





1.8

